

US00D821878S

(12) **United States Design Patent** (10) **Patent No.:** **US D821,878 S**
Cannamela et al. (45) **Date of Patent:** **** Jul. 3, 2018**

(54) **CONTAINER** 3,342,379 A * 9/1967 Foley B65D 1/32
222/173
(71) Applicant: **Johnson & Johnson Consumer Inc.,** D212,278 S 9/1968 Weckman
Skillman, NJ (US) D225,834 S 1/1973 Kneapler
D241,418 S 9/1976 Koenigsberg
(Continued)

(72) Inventors: **Michael Cannamela**, Atlantic
Highlands, NJ (US); **Evan Rhodes**,
Brooklyn, NY (US); **Max Knecht**,
Brooklyn, NY (US); **Anthony B. Gallo,**
Jr., Warren, NJ (US); **Aimee Sealfon**,
Brooklyn, NY (US); **Ernesto**
Quinteros, South Orange, NJ (US);
Timothy O'Toole, Jersey City, NJ
(US); **Raffaele Mazzei**, Montclair, NJ
(US); **Melissa Dandy**, Hillsborough, NJ
(US)

(73) Assignee: **Johnson & Johnson Consumer Inc.,**
Skillman, NJ (US)

(**) Term: **15 Years**

(21) Appl. No.: **29/564,554**

(22) Filed: **May 13, 2016**

(51) **LOC (11) Cl.** **09-01**

(52) **U.S. Cl.**
USPC **D9/521; D9/563**

(58) **Field of Classification Search**
USPC D9/519-521, 529-543, 549, 556, 558,
D9/574; 215/206, 229, 381; 220/674,
220/710, 837; 222/182, 209, 252
CPC A47K 10/421; B65D 1/02; B65D 1/26;
B65D 3/04; B65D 11/00; B65D 11/02;
B65D 81/3837; B65D 85/72
See application file for complete search history.

(56) **References Cited**

U.S. PATENT DOCUMENTS

720,623 A 2/1903 Howland
D204,707 S 5/1966 Abbott

OTHER PUBLICATIONS

U.S. Appl. No. 29/564,550, filed May 13, 2013, Johnson & Johnson
Consumer Inc.

(Continued)

Primary Examiner — Derrick E Holland
Assistant Examiner — Janice Julia Patyk
(74) *Attorney, Agent, or Firm* — Laura A. Donnelly

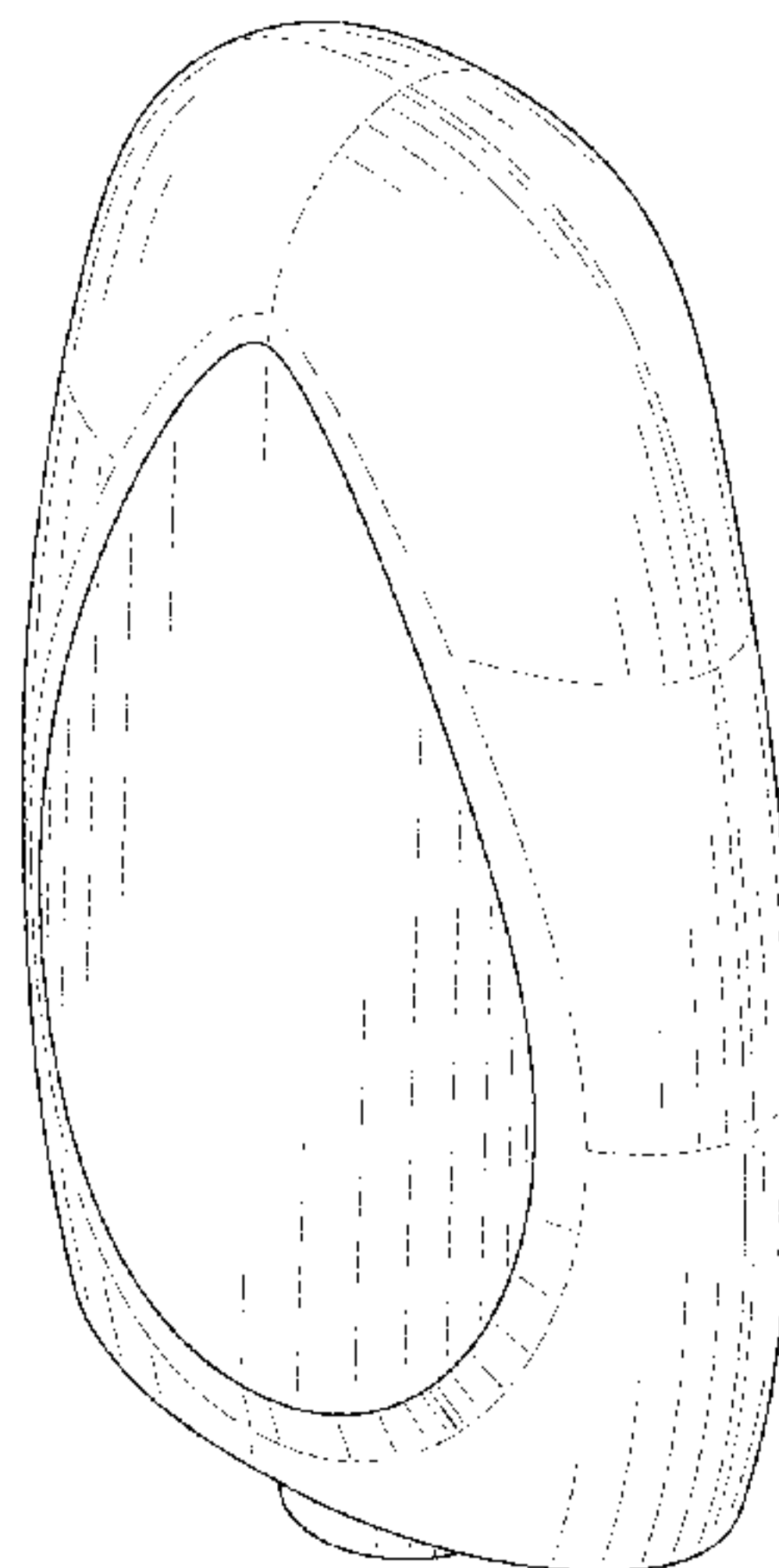
(57) **CLAIM**

The ornamental design for a container, as shown and
described.

DESCRIPTION

FIG. 1 is a top, front, side perspective view of a container of
the present invention.
FIG. 2 is a bottom, front, side perspective view of the
container depicted in FIG. 1.
FIG. 3 is a front elevational view of the container depicted
in FIG. 1.
FIG. 4 is a right side elevational view of the container
depicted in FIG. 1.
FIG. 5 is a back elevational view of the container depicted
in FIG. 1.
FIG. 6 is a left side elevational view of the container
depicted in FIG. 1.
FIG. 7 is a top view of the container depicted in FIG. 1.
FIG. 8 is a bottom view of the container depicted in FIG. 1;
and,
FIG. 9 is a cross-sectional view of the container depicted in
FIG. 1, taken along line 9-9 of FIG. 3.
The broken lines in the figures illustrate the portions of the
design that form no part of the claimed design.

1 Claim, 5 Drawing Sheets



(56)

References Cited

U.S. PATENT DOCUMENTS

D245,225 S	8/1977	Lyons	
D257,504 S	11/1980	Weckman	
D274,309 S	6/1984	Aldrich, III	
D318,037 S	* 7/1991	Kipperman	D9/435
D323,602 S	2/1992	Katz	
D324,998 S	3/1992	Klapwald	
D336,614 S	6/1993	Crawford	
D342,452 S	12/1993	Monaghan	
D346,740 S	5/1994	Charet et al.	
D348,840 S	* 7/1994	Kuzma	D9/575
D349,057 S	7/1994	Farce	
D376,310 S	12/1996	Crawford	
D379,923 S	6/1997	De Baschmakoff	
D383,390 S	9/1997	Abfier et al.	
5,667,107 A	9/1997	Lindsey	
D392,561 S	* 3/1998	Markey	D9/521
D392,898 S	3/1998	Butler et al.	
D398,225 S	9/1998	Zaksenberg	
D398,238 S	9/1998	Bertolini et al.	
D399,747 S	10/1998	Bertolini et al.	
D412,978 S	8/1999	Cameron	
D414,103 S	9/1999	Crawford	
5,996,850 A	12/1999	Morali et al.	
D419,883 S	2/2000	Heydenburg et al.	
D427,072 S	* 6/2000	Gaffney	D9/520
D427,073 S	6/2000	Gaffney et al.	
D428,344 S	7/2000	Preston	
D428,816 S	8/2000	Shiokawa et al.	
D446,724 S	8/2001	Fenton et al.	
D447,694 S	* 9/2001	Leggett	D9/520
D447,953 S	9/2001	Brynstad et al.	
D450,593 S	11/2001	Jebb et al.	
D460,348 S	7/2002	Crawford et al.	
D467,799 S	* 12/2002	Persson	D9/420
D468,423 S	1/2003	Renfrew	
D468,643 S	1/2003	Kuzma et al.	
D470,043 S	2/2003	Crawford	
D484,403 S	12/2003	Crawford	
D485,747 S	1/2004	Crawford	
D486,065 S	2/2004	Hutchinson et al.	
D486,395 S	* 2/2004	Lovell	D9/521
D486,737 S	2/2004	Oates	
D491,813 S	* 6/2004	Calello	D9/521
D496,202 S	9/2004	Hansen	
D498,145 S	11/2004	McLeish	
D502,110 S	2/2005	Theunynck	
D503,890 S	4/2005	Thunberg et al.	
D509,441 S	9/2005	Wilson et al.	
D510,029 S	9/2005	Marcot	
D510,033 S	9/2005	McLeish	
D513,189 S	12/2005	Busa, Jr. et al.	
D514,948 S	2/2006	Busa, Jr. et al.	
D522,373 S	* 6/2006	Bakic	D9/545
D523,144 S	6/2006	Wenger et al.	
D526,569 S	8/2006	Wurster et al.	
D527,640 S	9/2006	Cummings et al.	
D529,392 S	10/2006	Little	
D532,637 S	11/2006	Bassett et al.	
D536,986 S	* 2/2007	Nix	D9/551
D538,665 S	3/2007	Wilson et al.	
D538,673 S	3/2007	Sterling et al.	
D540,680 S	4/2007	Perry et al.	
D542,663 S	5/2007	Dziersk et al.	
D543,460 S	5/2007	Perry et al.	
D546,693 S	7/2007	Okin et al.	
D548,599 S	8/2007	Blasko	
D550,965 S	9/2007	Kaposi	
D552,230 S	10/2007	Collins et al.	
D552,730 S	10/2007	Collins et al.	
D555,001 S	11/2007	Perry et al.	
D555,003 S	11/2007	Perry et al.	
D558,590 S	1/2008	Cowan-Hughes et al.	
D559,705 S	1/2008	Sparks et al.	
D563,789 S	* 3/2008	Mongeon	D9/521
D565,422 S	4/2008	Cowan-Hughes et al.	
D567,107 S	4/2008	Crawford et al.	
D570,219 S	6/2008	Blasko	
D575,643 S	8/2008	Florio	
7,413,082 B2	8/2008	Adler et al.	
D581,787 S	12/2008	Davis et al.	
D585,290 S	1/2009	Toh	
D587,591 S	3/2009	Crawford	
D588,459 S	3/2009	Davis et al.	
D588,460 S	3/2009	Davis et al.	
D588,461 S	3/2009	Davis et al.	
D588,462 S	3/2009	Davis et al.	
D589,357 S	3/2009	Crawford	
D592,957 S	5/2009	Davis et al.	
D595,582 S	7/2009	Cowan-Hughes et al.	
D598,758 S	8/2009	Hilliard, Jr. et al.	
D598,759 S	8/2009	Hilliard, Jr. et al.	
D598,760 S	8/2009	Hilliard, Jr. et al.	
D598,761 S	8/2009	Hilliard, Jr. et al.	
D598,762 S	8/2009	Hilliard, Jr. et al.	
D598,763 S	8/2009	Hilliard, Jr. et al.	
D598,765 S	8/2009	Hilliard, Jr. et al.	
D598,766 S	8/2009	Hilliard, Jr. et al.	
D598,767 S	8/2009	Hilliard, Jr. et al.	
D598,768 S	8/2009	Hilliard, Jr. et al.	
D599,207 S	9/2009	Hilliard, Jr. et al.	
D601,899 S	10/2009	Davis et al.	
D601,907 S	10/2009	Gainey et al.	
D607,735 S	1/2010	Kuzma et al.	
D610,019 S	2/2010	Navarro et al.	
D610,261 S	2/2010	Strother et al.	
D610,910 S	3/2010	Simmons et al.	
D611,830 S	3/2010	Casey et al.	
D611,831 S	3/2010	Cummings et al.	
D612,264 S	3/2010	Miksovsky	
D612,741 S	3/2010	Miksovsky	
D613,176 S	4/2010	Gameros et al.	
D613,397 S	4/2010	Nakao et al.	
D618,554 S	6/2010	Bruscha et al.	
D619,008 S	7/2010	Handy et al.	
D628,490 S	12/2010	Sato et al.	
D633,807 S	3/2011	Fahy et al.	
D634,637 S	3/2011	Gentil	
D638,713 S	5/2011	de Cleir et al.	
D638,714 S	5/2011	de Cleir et al.	
D638,715 S	5/2011	Albaum et al.	
D643,737 S	8/2011	Handy	
D646,576 S	10/2011	Davis et al.	
D650,679 S	12/2011	de Cleir et al.	
D650,686 S	12/2011	de Cleir et al.	
D654,800 S	2/2012	Geeraert et al.	
D656,839 S	4/2012	Shaw et al.	
D657,258 S	4/2012	Geeraert et al.	
D660,708 S	5/2012	Bridgman et al.	
D666,095 S	8/2012	Blachford et al.	
D666,103 S	8/2012	Blachford et al.	
D670,169 S	11/2012	Victorino et al.	
D678,069 S	3/2013	Redmond	
D681,475 S	5/2013	Park	
D688,561 S	8/2013	Bunce et al.	
D693,690 S	11/2013	Wakui	
D694,114 S	11/2013	Lecetre et al.	
D697,809 S	* 1/2014	de Cleir	D9/521
8,678,215 B2	3/2014	Steiger et al.	
D702,130 S	4/2014	Handy	
D704,067 S	5/2014	Scott et al.	
D706,636 S	6/2014	de Cleir et al.	
D708,957 S	7/2014	Clough et al.	
8,844,767 B1	9/2014	Bates et al.	
D716,147 S	10/2014	Jordan et al.	
D719,453 S	12/2014	Bunce et al.	
D720,622 S	1/2015	Gelov	
D720,623 S	1/2015	Bunce et al.	
D726,024 S	4/2015	Peng	
D730,737 S	6/2015	Bunce et al.	
D735,050 S	7/2015	Tussy	
D736,383 S	8/2015	Parker et al.	
D736,639 S	8/2015	McCay et al.	
D738,737 S	9/2015	McCay et al.	
D739,750 S	9/2015	Luijendijk	

(56)

References Cited

U.S. PATENT DOCUMENTS

D741,182 S 10/2015 Davis et al.
 D742,757 S 11/2015 Behar et al.
 D743,261 S 11/2015 Jordan et al.
 D747,972 S 1/2016 Allan
 D750,964 S 3/2016 Alvarez De Cienfuegos
 Hernandez et al.
 D751,905 S 3/2016 Alvarez De Cienfuegos
 Hernandez et al.
 D751,911 S 3/2016 Alvarez De Cienfuegos
 Hernandez et al.
 D752,441 S 3/2016 Alvarez De Cienfuegos
 Hernandez et al.
 D753,493 S 4/2016 Alvarez De Cienfuegos
 Hernandez et al.
 D757,555 S 5/2016 Pires et al.
 D762,299 S 7/2016 Matsuura
 D769,019 S 10/2016 Beck et al.
 D773,307 S 12/2016 Ashbee
 D774,398 S 12/2016 Ashbee
 D798,415 S 9/2017 Lin
 2004/0232023 A1 11/2004 Bansal et al.

OTHER PUBLICATIONS

U.S. Appl. No. 29/564,551, filed May 13, 2016, Johnson & Johnson Consumer Inc.
 U.S. Appl. No. 29/564,552, filed May 13, 2016, Johnson & Johnson Consumer Inc.
 U.S. Appl. No. 29/564,562, filed May 13, 2016, Johnson & Johnson Consumer Inc.
 U.S. Appl. No. 29/564,563, filed May 13, 2016, Johnson & Johnson Consumer Inc.
 “Oh So Heavenly” brand by New Clicks, *Nourishing Hand Wash*, Sep. 2009, Mintel (retrieved Jul. 2016).
 “Oh So Heavenly” brand by New Clicks, *Bye-Bye Stress Calming Hand Wash*, Mar. 2015, Mintel (retrieved Jul. 2016).
 U.S. Appl. No. 29/583,221, filed Nov. 3, 2016, Johnson & Johnson Consumer Inc.
 U.S. Appl. No. 29/583,222, filed Nov. 3, 2016, Johnson & Johnson Consumer Inc.
 U.S. Appl. No. 29/583,223, filed Nov. 3, 2016, Johnson & Johnson Consumer Inc.
 U.S. Appl. No. 29/583,224, filed Nov. 3, 2016, Johnson & Johnson Consumer Inc.

U.S. Appl. No. 29/583,225, filed Nov. 3, 2016, Johnson & Johnson Consumer Inc.
 U.S. Appl. No. 29/583,226, filed Nov. 3, 2016, Johnson & Johnson Consumer Inc.
 U.S. Appl. No. 29/570,890, filed Jul. 13, 2016, Johnson & Johnson Consumer Inc.
 U.S. Appl. No. 29/570,894, filed Jul. 13, 2016, Johnson & Johnson Consumer Inc.
 U.S. Appl. No. 29/602,748, filed May 3, 2017, Johnson & Johnson Consumer Inc.
 U.S. Appl. No. 29/602,750, filed May 3, 2017, Johnson & Johnson Consumer Inc.
 U.S. Appl. No. 29/610,975, filed Jul. 18, 2017, Johnson & Johnson Consumer Inc.
 “Garnier Ultra Doux” brand by Garnier, *Moisturising Lotion*, Jul. 2015, Mintel.
 “Garnier Wahre Schatze” brand by Garnier, *Weightless Hair Oil*, Nov. 2015, Mintel.
 “Garnier Ultra Doux” brand by Garnier, *Shower Care*, Jun. 2016, Mintel.
 Mintel, *Bottle—Body Lotion*, Unilever, Dove Baby, Dec. 2014.
 Mintel, *Bottle—Cologne*, Unilever, Dove Baby, Dec. 2014.
 Mintel, *Bottle—Combing Cream*, Unilever, Dove Baby, May 2017.
 Mintel, *Bottle—Conditioner*, Unilever, Dove Baby Cabelos, May 2017.
 Mintel, *Bottle—Conditioner*, Unilever, Dove Baby, Dec. 2014.
 Mintel, *Bottle—Conditioner*, Unilever, Dove Baby, Jul. 2016.
 Mintel, *Bottle—Conditioner*, Unilever, Dove Baby, May 2017.
 Mintel, *Bottle—Head to Toe Liquid Body Soap*, Unilever, Dove Baby, Aug. 2016.
 Mintel, *Bottle—Head to Toe Liquid Body Soap*, Unilever, Dove Baby, Feb. 2016.
 Mintel, *Bottle—Head to Toe Shower Gel*, Dove Baby, Nov. 2014.
 Mintel, *Bottle—Lotion*, Unilever, Dove Baby Rich Moisture, May 2017.
 Mintel, *Bottle—Lotion*, Unilever, Dove Baby Sensitive, May 2017.
 Mintel, *Bottle—Shampoo*, Unilever, Dove Baby Cabelos, May 2017.
 Mintel, *Bottle—Shampoo*, Unilever, Dove Baby Rich Moisture, May 2017.
 Mintel, *Bottle—Shampoo*, Unilever, Dove Baby, Dec. 2014.
 Mintel, *Bottle—Shampoo*, Unilever, Dove Baby, May 2016.
 Mintel, *Bottle—Shampoo*, Unilever, Dove Baby, May 2017.
 Mintel, *Bottle—Tip to Toe Wash*, Unilever, Dove Baby Rich Moisture, May 2017.
 Mintel, *Bottle—Tip to Toe Wash*, Unilever, Dove Baby Sensitive Moisture, Apr. 2017.

* cited by examiner

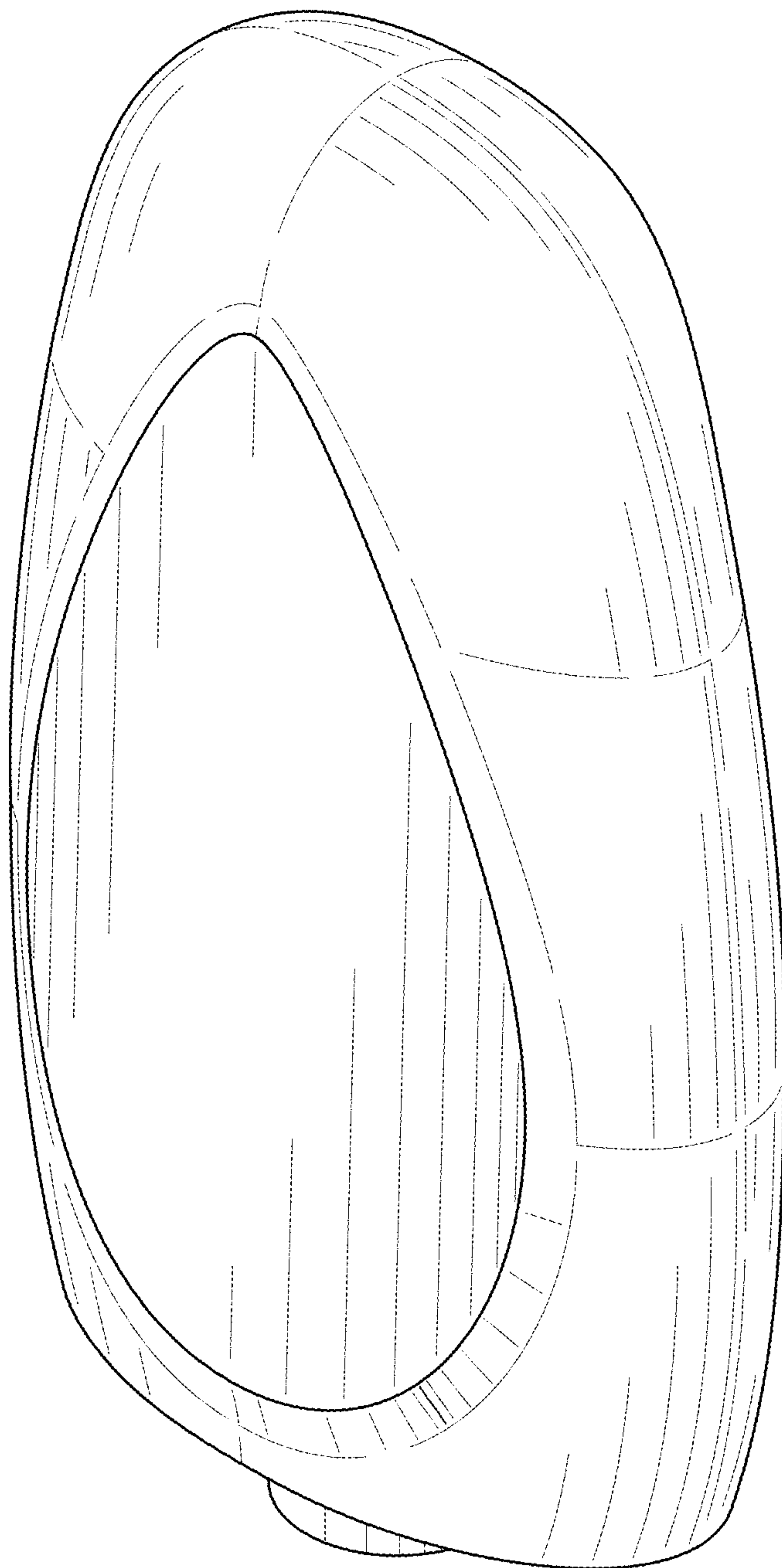


FIG. 1

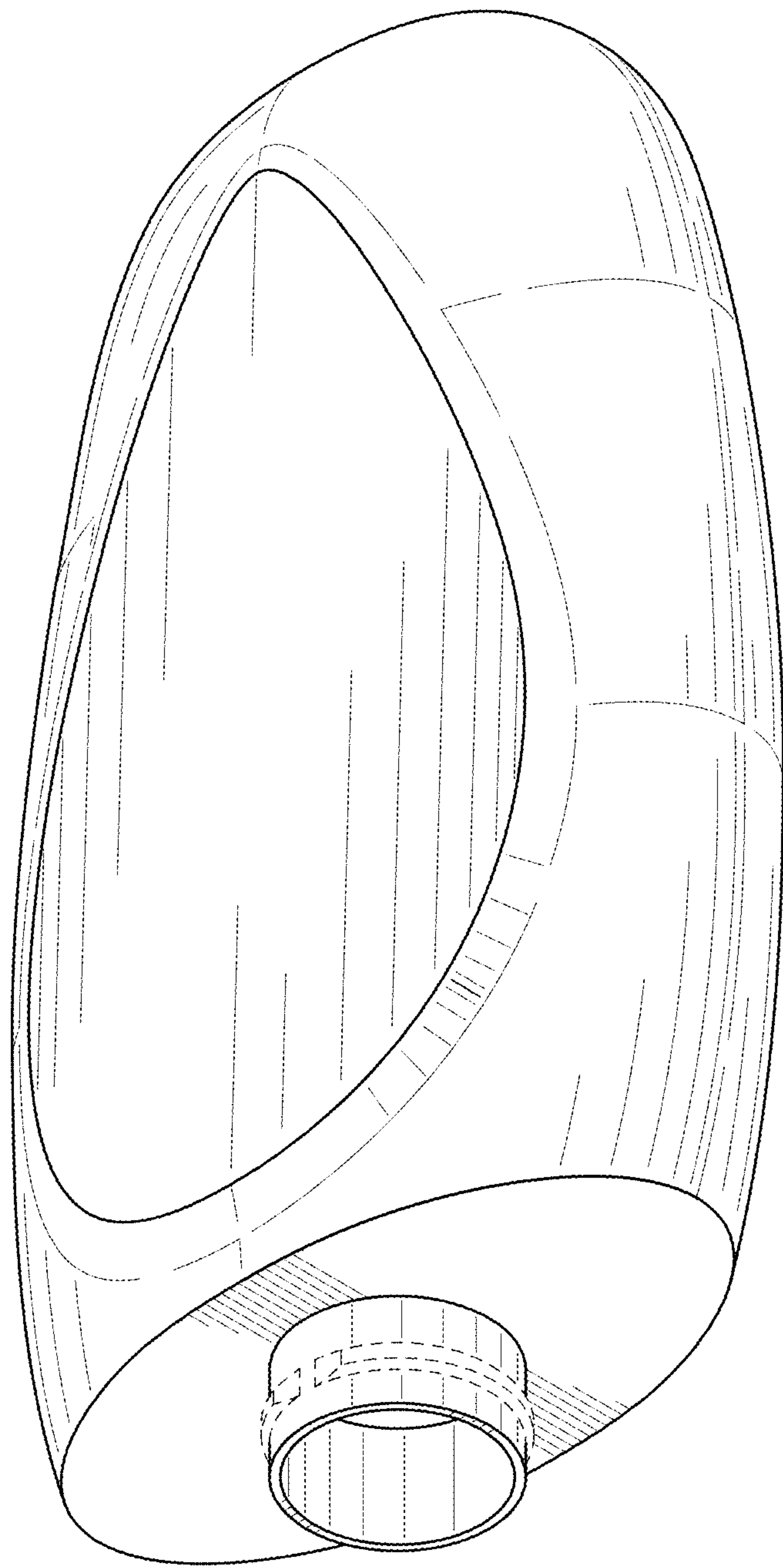


FIG. 2

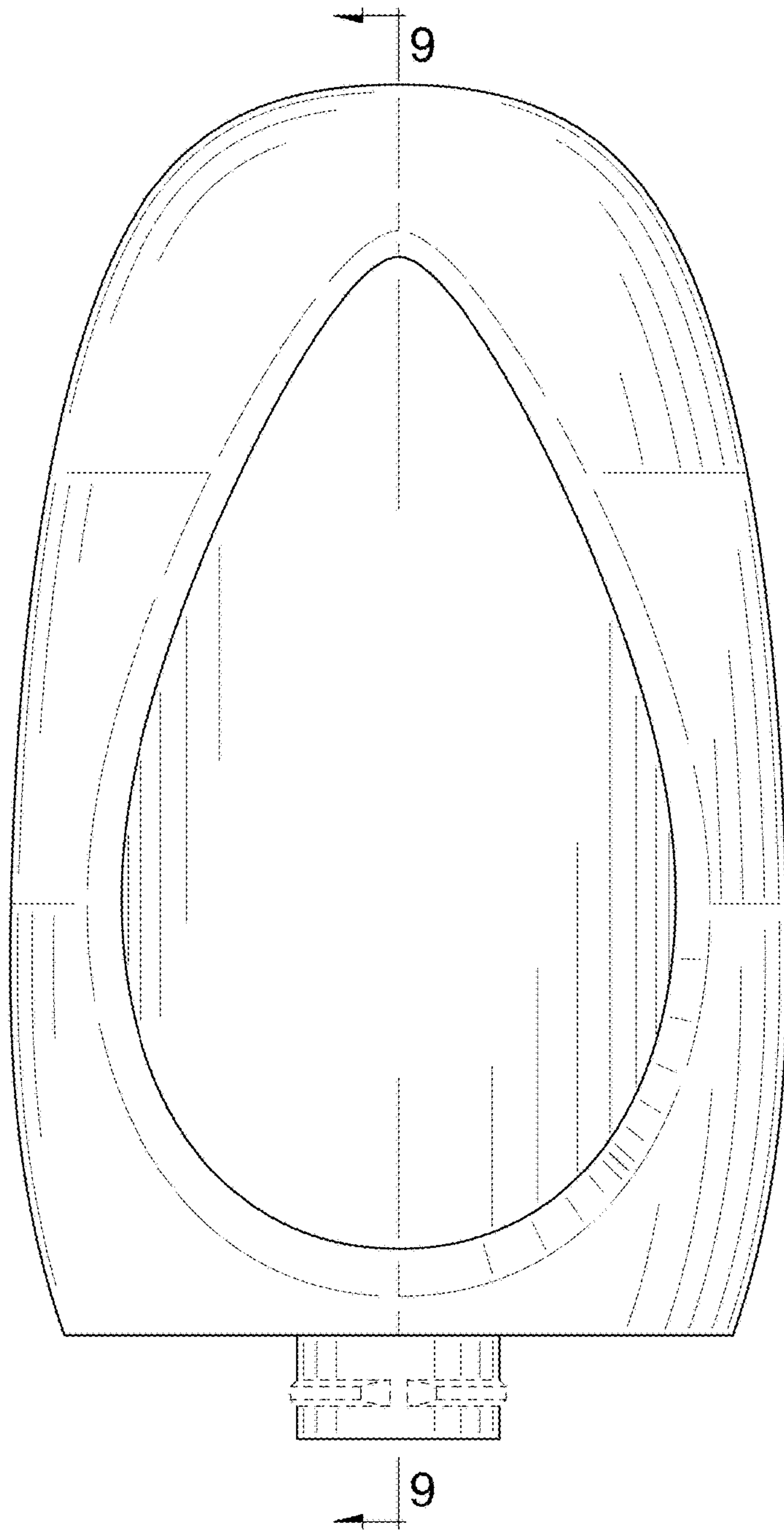


FIG. 3

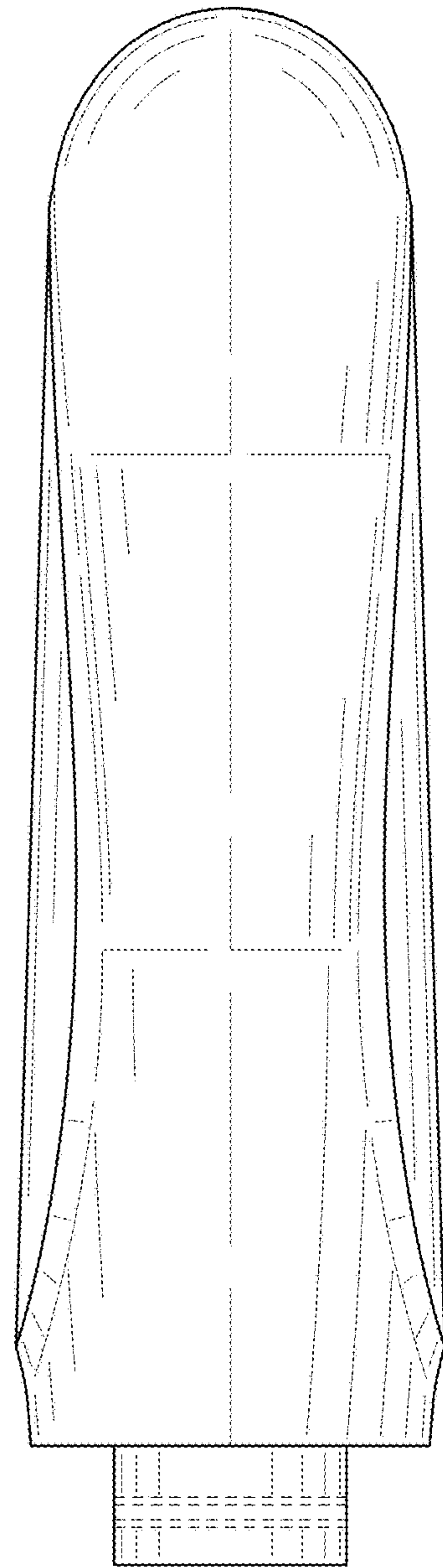


FIG. 4

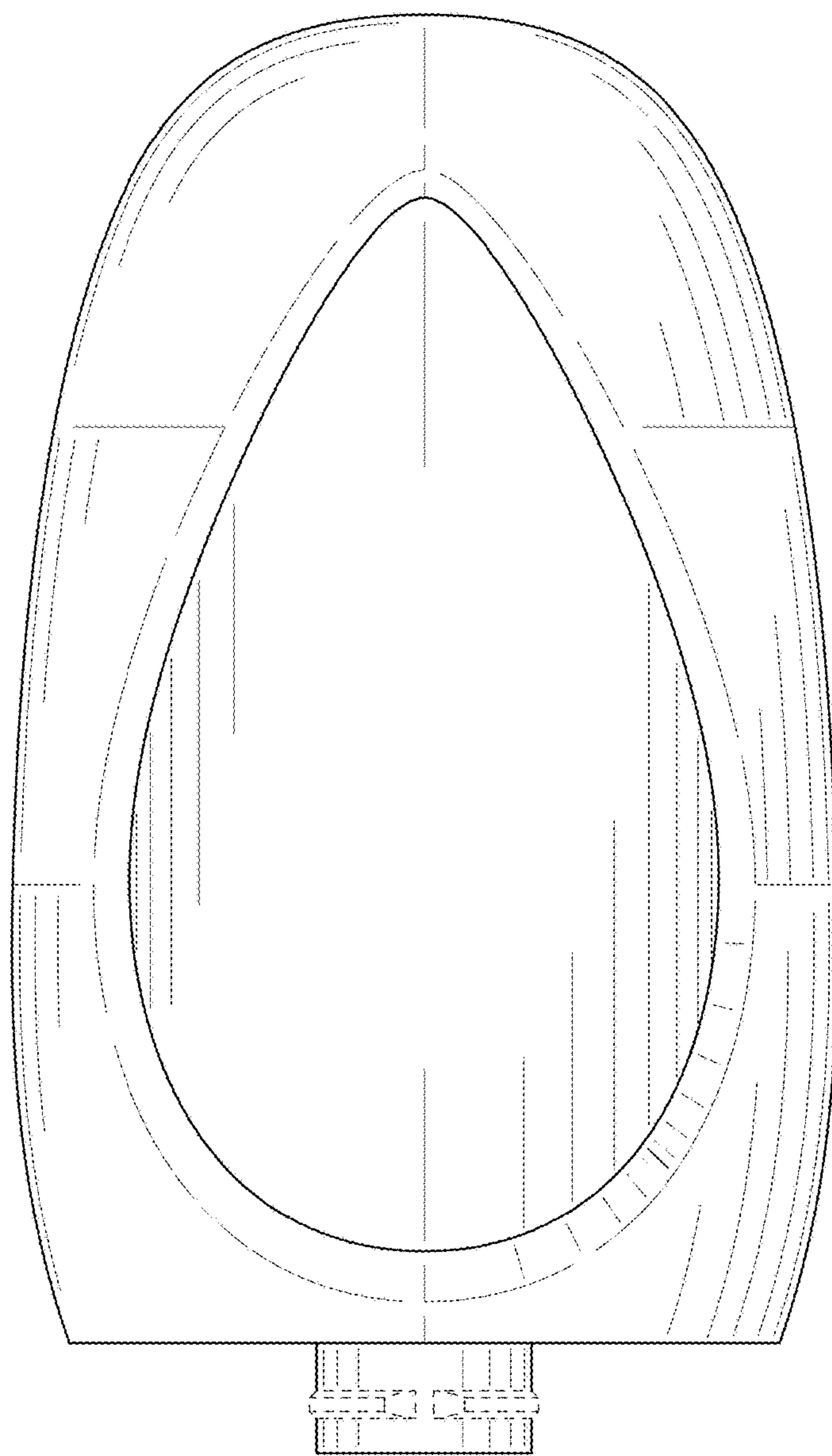


FIG. 5

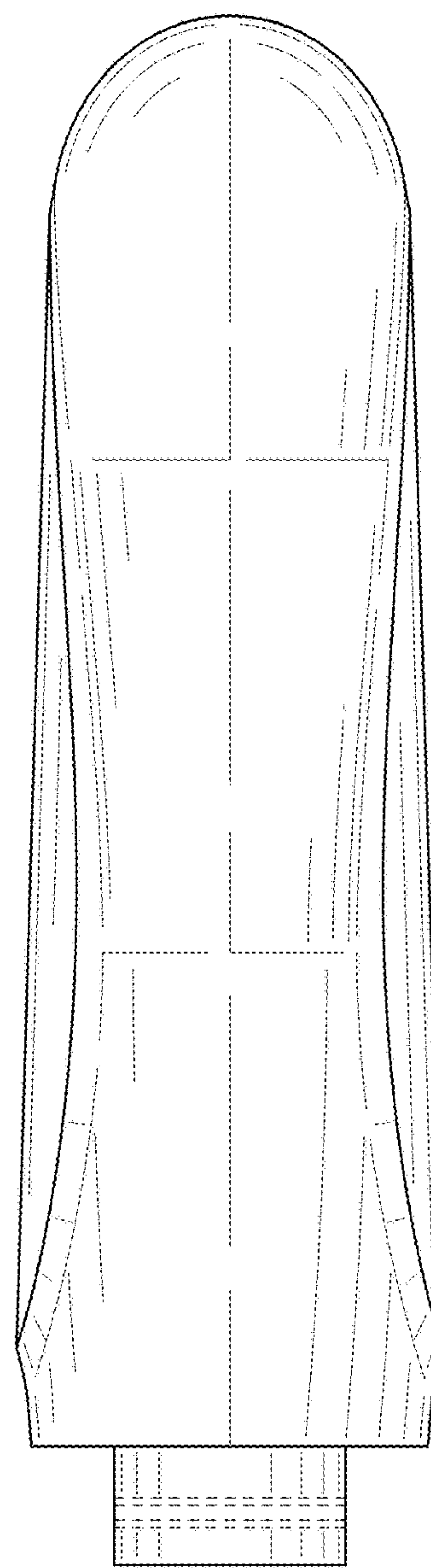


FIG. 6

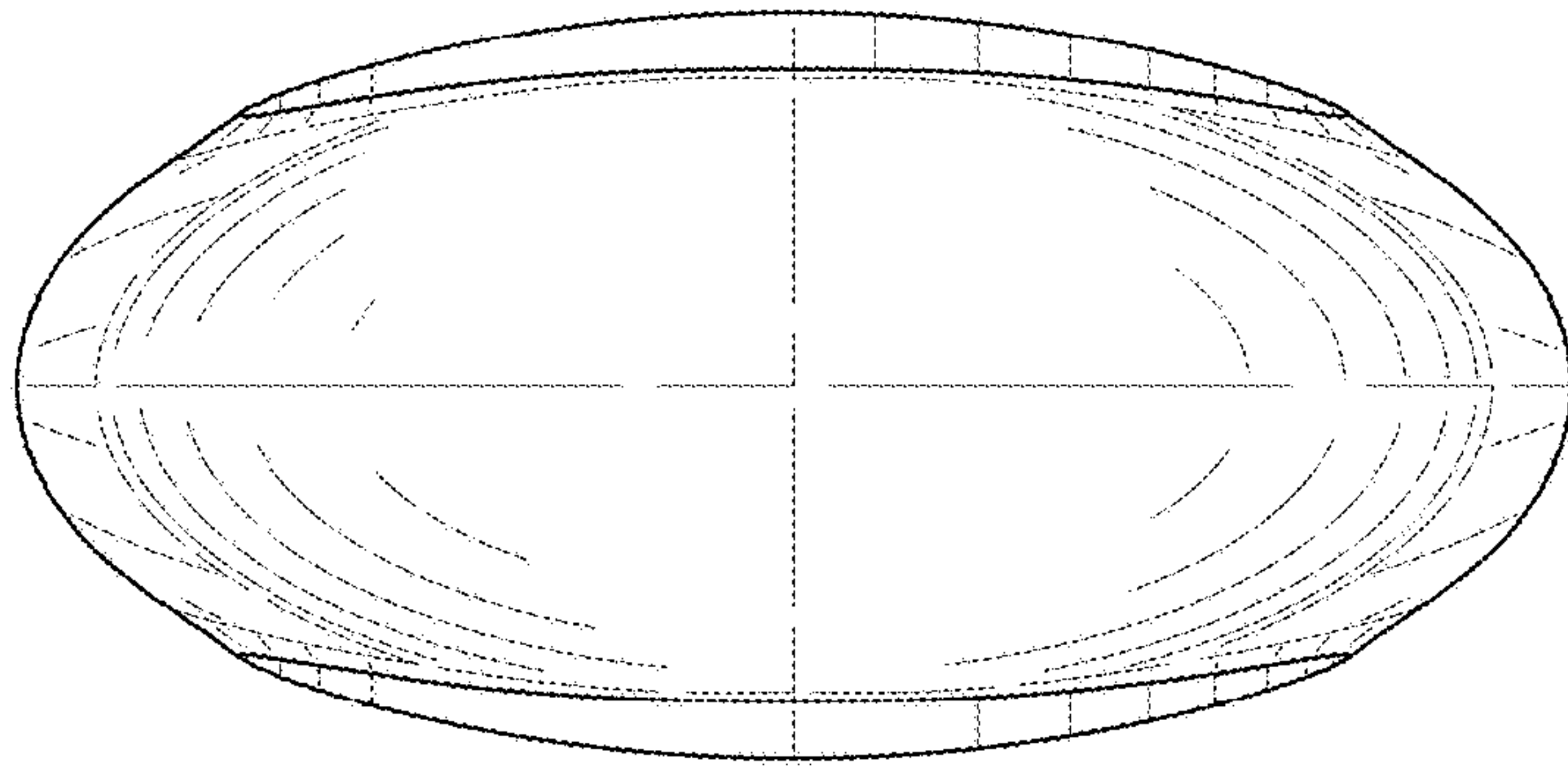


FIG. 7

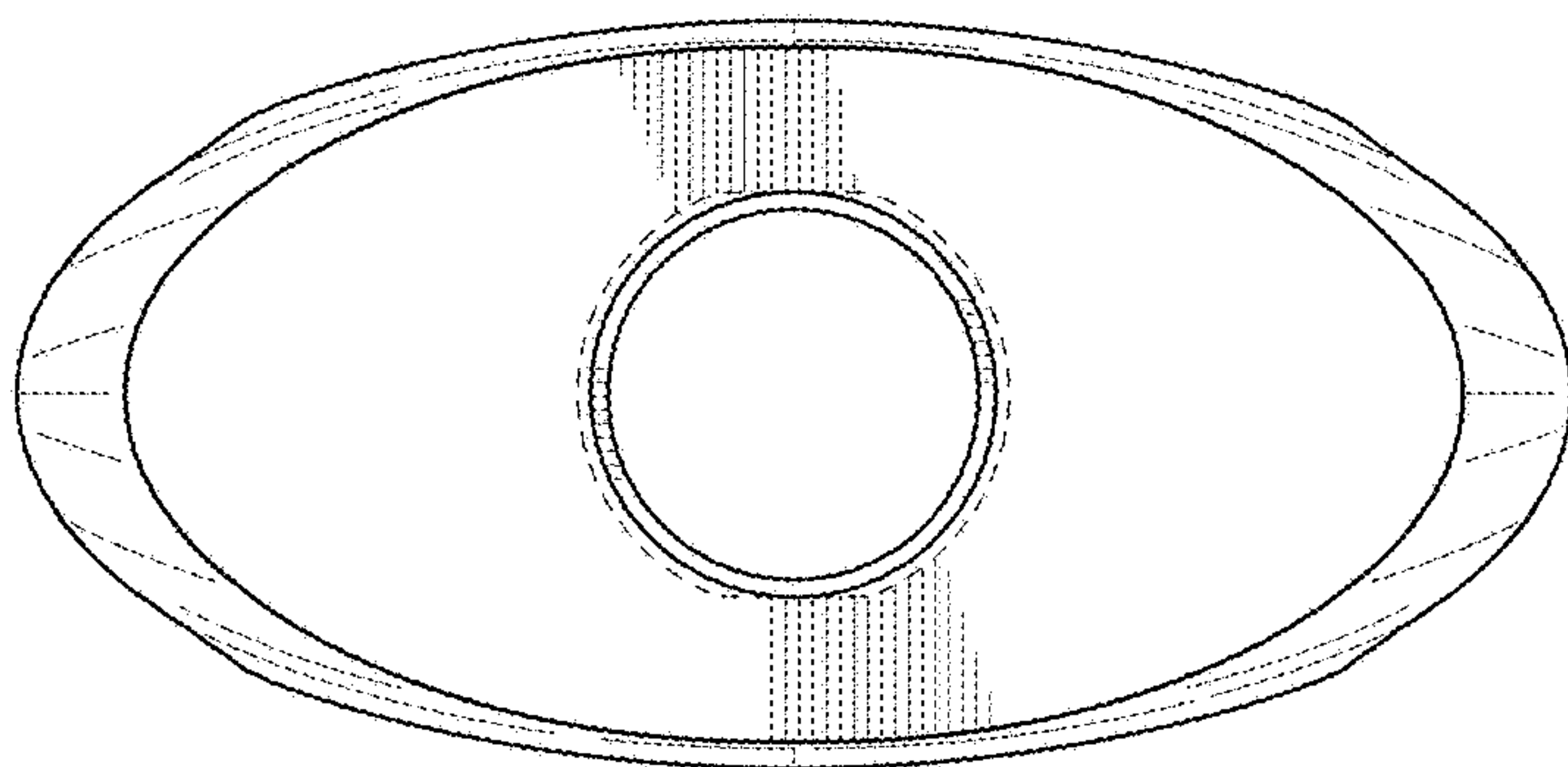


FIG. 8

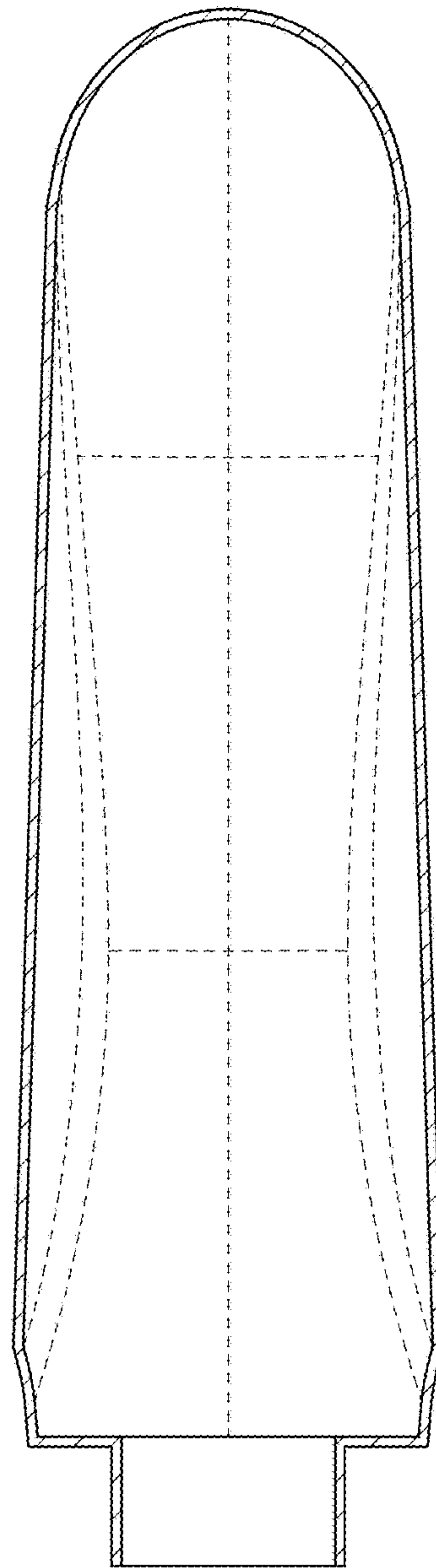


FIG. 9