



US00D821874S

(12) **United States Design Patent**
Rajesh et al.

(10) **Patent No.:** **US D821,874 S**
(45) **Date of Patent:** **** Jul. 3, 2018**

(54) **BOTTLE**

(71) Applicant: **The Coca-Cola Company**, Atlanta, GA (US)

(72) Inventors: **Gopalaswamy Rajesh**, Alpharetta, GA (US); **John Elwood Adams**, Alpharetta, GA (US); **Darryl J. Dawson**, Stockbridge, GA (US)

(73) Assignee: **The Coca-Cola Company**, Atlanta, GA (US)

(**) Term: **15 Years**

(21) Appl. No.: **29/528,817**

(22) Filed: **Jun. 1, 2015**

Related U.S. Application Data

(62) Division of application No. 29/413,665, filed on Feb. 17, 2012.

(51) **LOC (11) Cl.** **09-01**

(52) **U.S. Cl.**
USPC **D9/500**

(58) **Field of Classification Search**
USPC D9/500, 503-505, 516, 537, 539, 545, D9/551, 549, 558, 763-764, 772; 215/379, 381-384; 220/660, 662, 220/669-673, 675
CPC B65D 1/00; B65D 1/02; B65D 1/0223; B65D 1/023; B65D 1/0246; B65D 23/00; B65D 81/00; B65D 2501/00; B65D 2501/0009; B21D 51/38

See application file for complete search history.

(56) **References Cited**

U.S. PATENT DOCUMENTS

D63,657 S * 12/1923 Root D24/197
1,711,469 A * 4/1929 Stratford B65D 51/245
206/831

D133,559 S * 8/1942 Meyer D9/538
3,823,032 A * 7/1974 Ukai B65D 23/0814
215/12.2
4,065,589 A * 12/1977 Lenard B65D 23/0814
215/12.2
6,467,620 B1 * 10/2002 Heckman B65C 3/08
156/212
D472,471 S * 4/2003 McClure D9/537
D473,143 S * 4/2003 McClure D9/537
D528,000 S * 9/2006 Davis D9/500

(Continued)

FOREIGN PATENT DOCUMENTS

EM 000877600-0001 * 6/2008

OTHER PUBLICATIONS

“Coke, 8.5oz redeem” Coke, The Aluminum Bottle CANnoisseurs ‘ABC’ Chapter 169 of the Brewery Collectibles Club of America, U.S. Soda Bottle Listing, ABCchapter.com, 15 pages, retrieved Sep. 12, 2017 < <http://www.abcchapter.com/bottles/soda/us/coke.html>>.*

(Continued)

Primary Examiner — Dana L Meyrow

(74) *Attorney, Agent, or Firm* — Cynthia R. Parks; Parks IP Law LLC

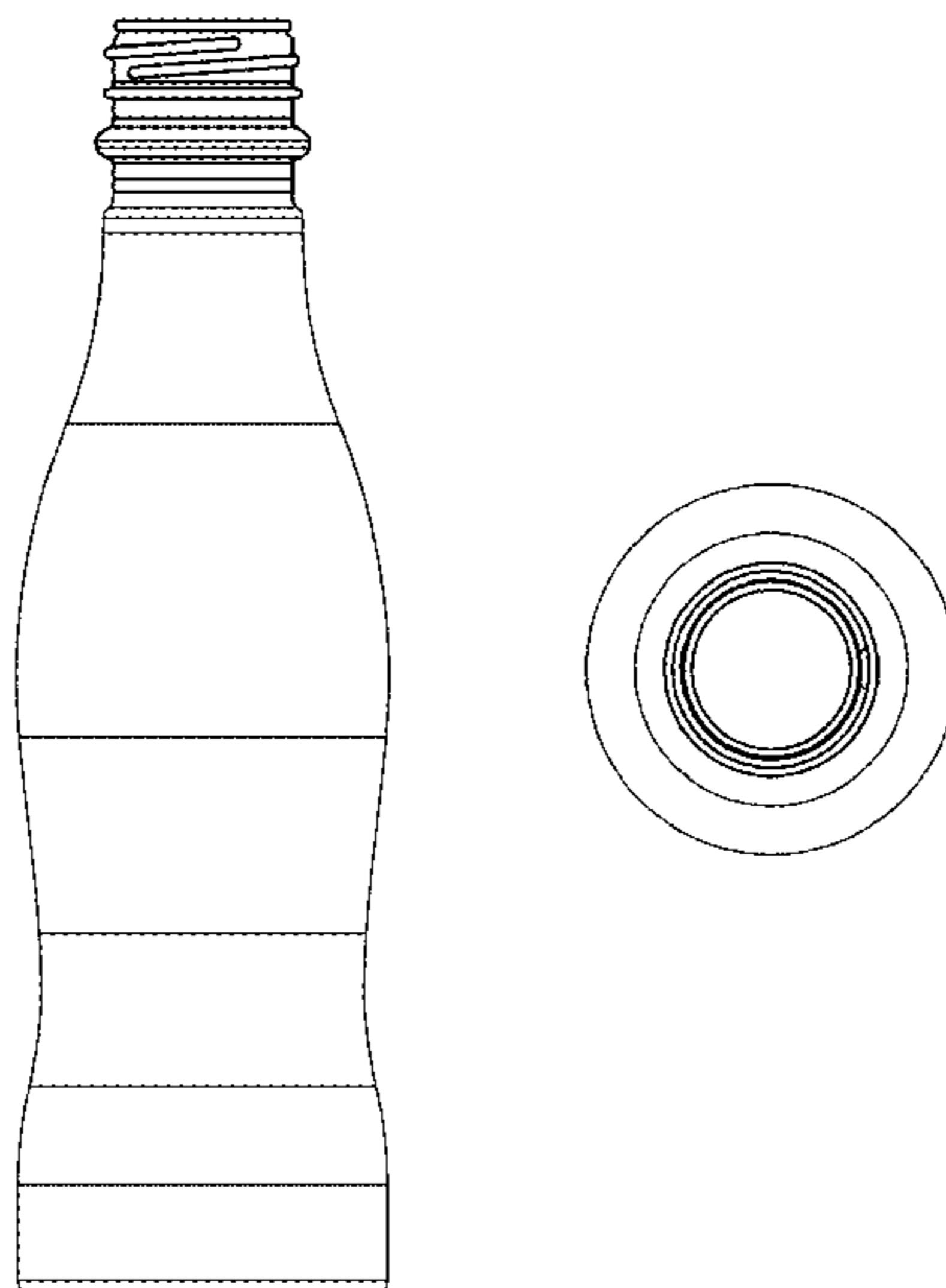
(57) **CLAIM**

We claim the ornamental design for a bottle, as shown and described.

DESCRIPTION

FIG. 1 is a perspective view of a bottle according to our new design;
FIG. 2 is a front side elevation view of the bottle of FIG. 1;
FIG. 3 is a right side elevation view of the bottle of FIG. 1; and,
FIG. 4 is a top view of the bottle of FIG. 1.

1 Claim, 2 Drawing Sheets



(56)

References Cited

U.S. PATENT DOCUMENTS

D582,774 S * 12/2008 Klemm D9/500
D624,415 S * 9/2010 Chupak D9/500
7,946,436 B2 * 5/2011 Laveault B65D 7/04
215/12.1
D639,659 S * 6/2011 Biondich D9/500
D708,522 S * 7/2014 Santamaria D9/500
D710,206 S * 8/2014 Rajesh D9/538
D745,396 S * 12/2015 Jahina D9/500
D745,397 S * 12/2015 Gogola D9/500
D745,399 S * 12/2015 Cotton D9/500
D757,550 S * 5/2016 Steward D9/500
D792,229 S * 7/2017 Steward D9/500
2007/0090078 A1 * 4/2007 Laveault B65D 7/04
215/12.2
2013/0220964 A1 * 8/2013 Adams B65D 1/0207
215/44
2016/0256910 A1 * 9/2016 Niec B21D 26/049

OTHER PUBLICATIONS

“Coke, 8.5oz redeem” Coke, The Aluminum Bottle CANnoisseurs
‘ABC’ Chapter 169 of the Brewery Collectibles Club of America,
U.S. Soda Bottle Listing, ABCchapter.com, 15 pages, retrieved Sep.
12, 2017, < <http://www.abcchapter.com/bottles/soda/us/coke.html> >.*

* cited by examiner

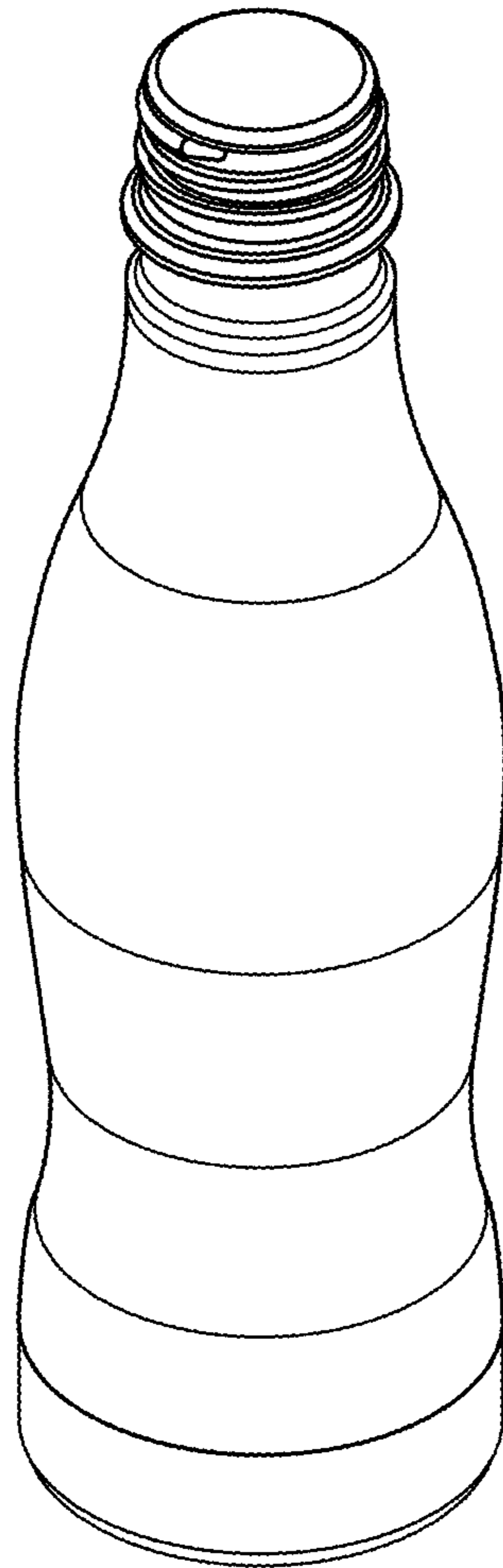


FIG. 1

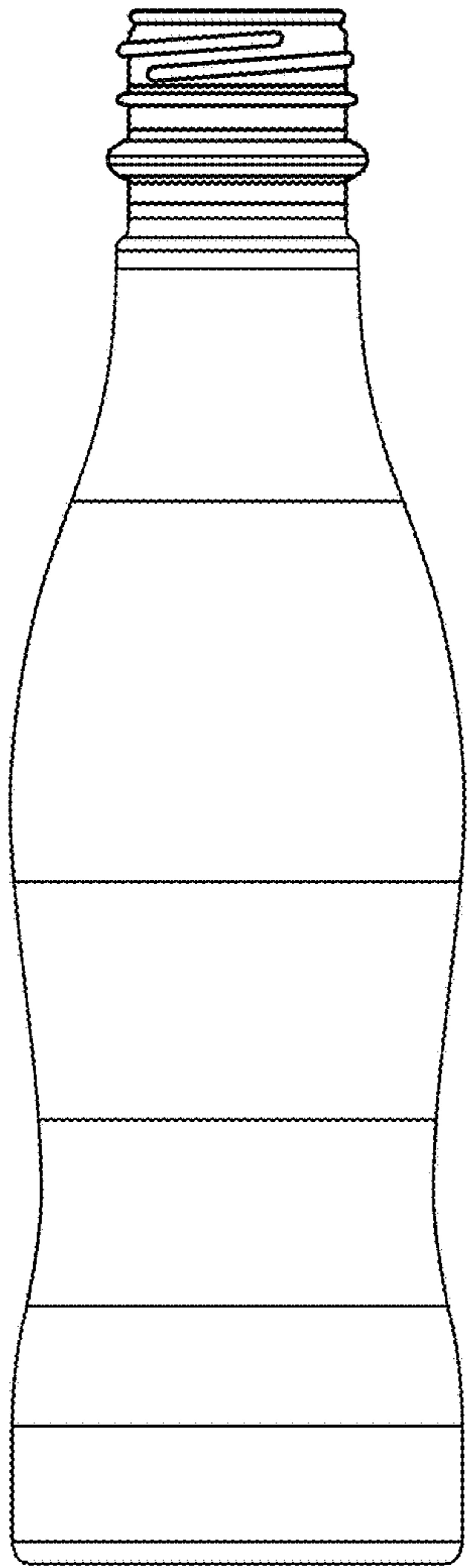


FIG. 2

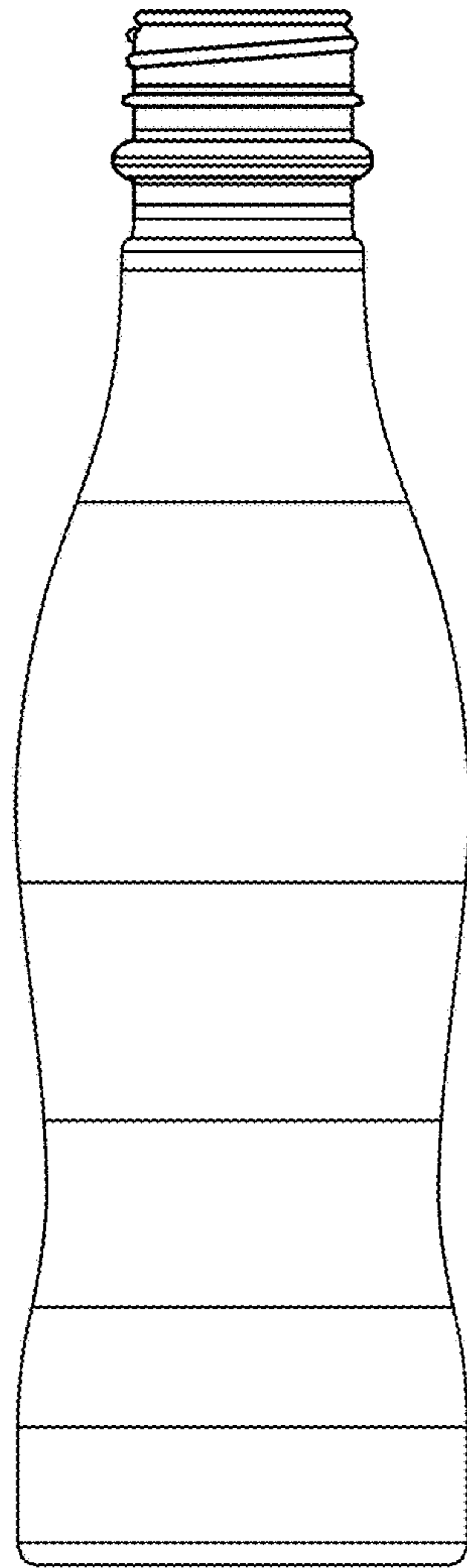


FIG. 3

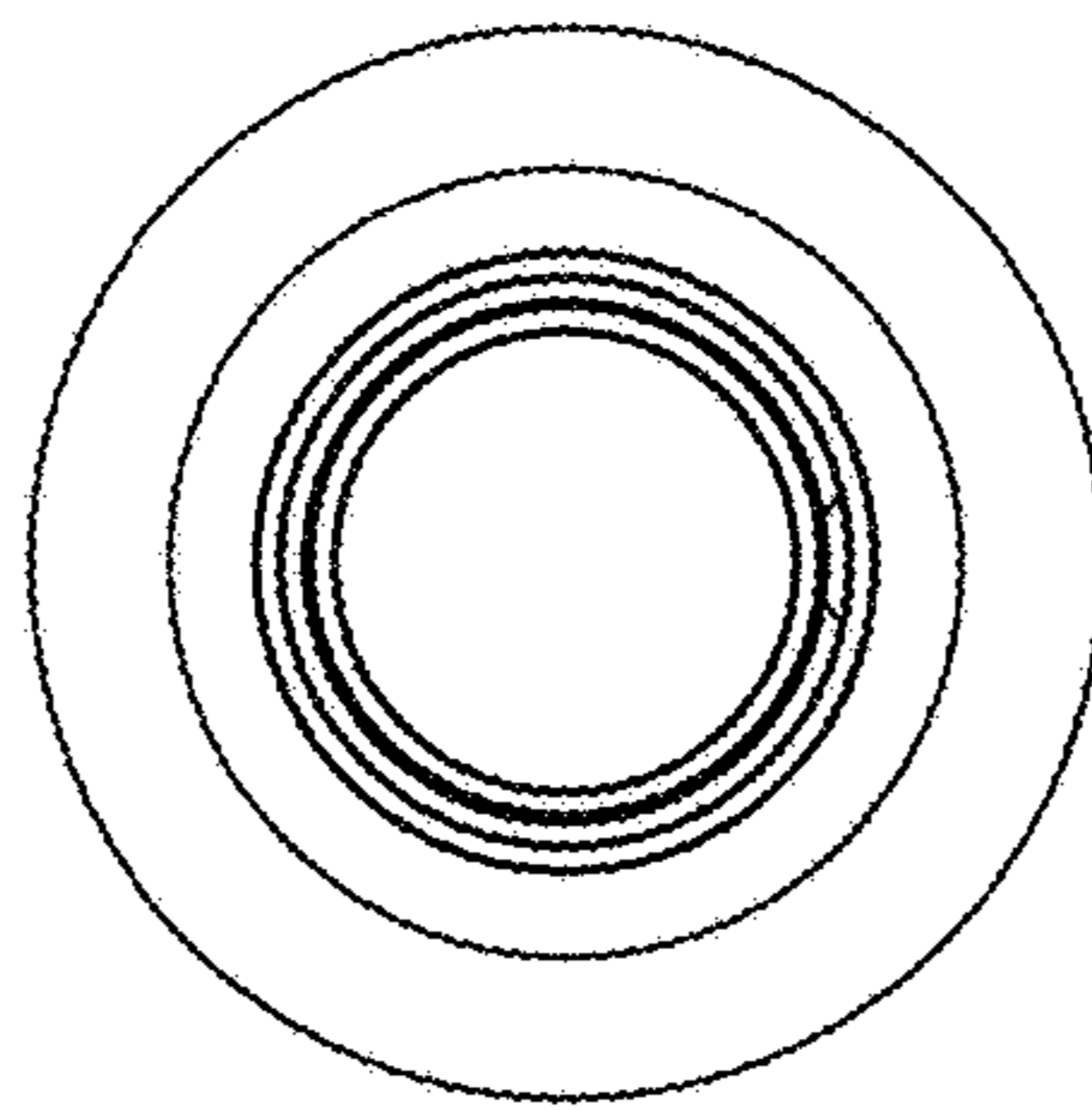


FIG. 4