



US00D821869S

(12) **United States Design Patent** (10) **Patent No.:** **US D821,869 S**
Cheng et al. (45) **Date of Patent:** **** Jul. 3, 2018**

(54) **PRODUCT CONTAINER**
(71) Applicant: **WM. WRIGLEY JR. COMPANY,**
Chicago, IL (US)
(72) Inventors: **Yali Cheng,** Guangzhou (CN);
Jingcheng Bai, Shenzhen (CN)
(73) Assignee: **WM. WRIGLEY JR. COMPANY,**
Chicago, IL (US)
(**) Term: **15 Years**
(21) Appl. No.: **29/609,220**
(22) Filed: **Jun. 29, 2017**

(30) **Foreign Application Priority Data**
Jan. 4, 2017 (CN) 2017 3 0001648
(51) **LOC (11) Cl.** **09-03**
(52) **U.S. Cl.**
USPC **D9/424; D9/432**
(58) **Field of Classification Search**
USPC D9/414, 424, 425, 432, 730; D7/629
CPC B65D 43/169; B65D 51/20; B65D 43/22;
B65D 2313/04; B65D 2313/02
See application file for complete search history.

(56) **References Cited**
U.S. PATENT DOCUMENTS
D336,017 S * 6/1993 Smith D7/629
D336,244 S * 6/1993 Arai D9/414
5,341,952 A * 8/1994 Goglio B65D 25/18
220/495.08
D390,459 S * 2/1998 King D3/294
D481,942 S * 11/2003 Elgebrant D9/424
D521,811 S * 5/2006 Yourist D7/615
D571,197 S * 6/2008 Sanfilippo D9/420
D592,966 S * 5/2009 Nissen D9/560

9,120,605 B1 * 9/2015 Mar B65D 43/162
D748,468 S * 2/2016 Angeloni D9/420
D759,434 S * 6/2016 Duvigneau D7/615
D761,551 S * 7/2016 Stueckemann D3/203.1
D778,732 S * 2/2017 Pelfrey D6/515
D790,335 S * 6/2017 Honings D9/424
2009/0261105 A1 * 10/2009 Cunningham B65F 1/06
220/495.08
2010/0102109 A1 * 4/2010 Flecker B65D 15/08
229/102
2016/0023816 A1 * 1/2016 Giraud B65D 43/16
220/263
2016/0167858 A1 * 6/2016 Sanfilippo B65D 75/5838
220/270
2016/0297580 A1 * 10/2016 Batzel B65D 43/20
2017/0313482 A1 * 11/2017 Herlin B65D 51/20
2017/0327279 A1 * 11/2017 Herlin B65D 43/02

(Continued)

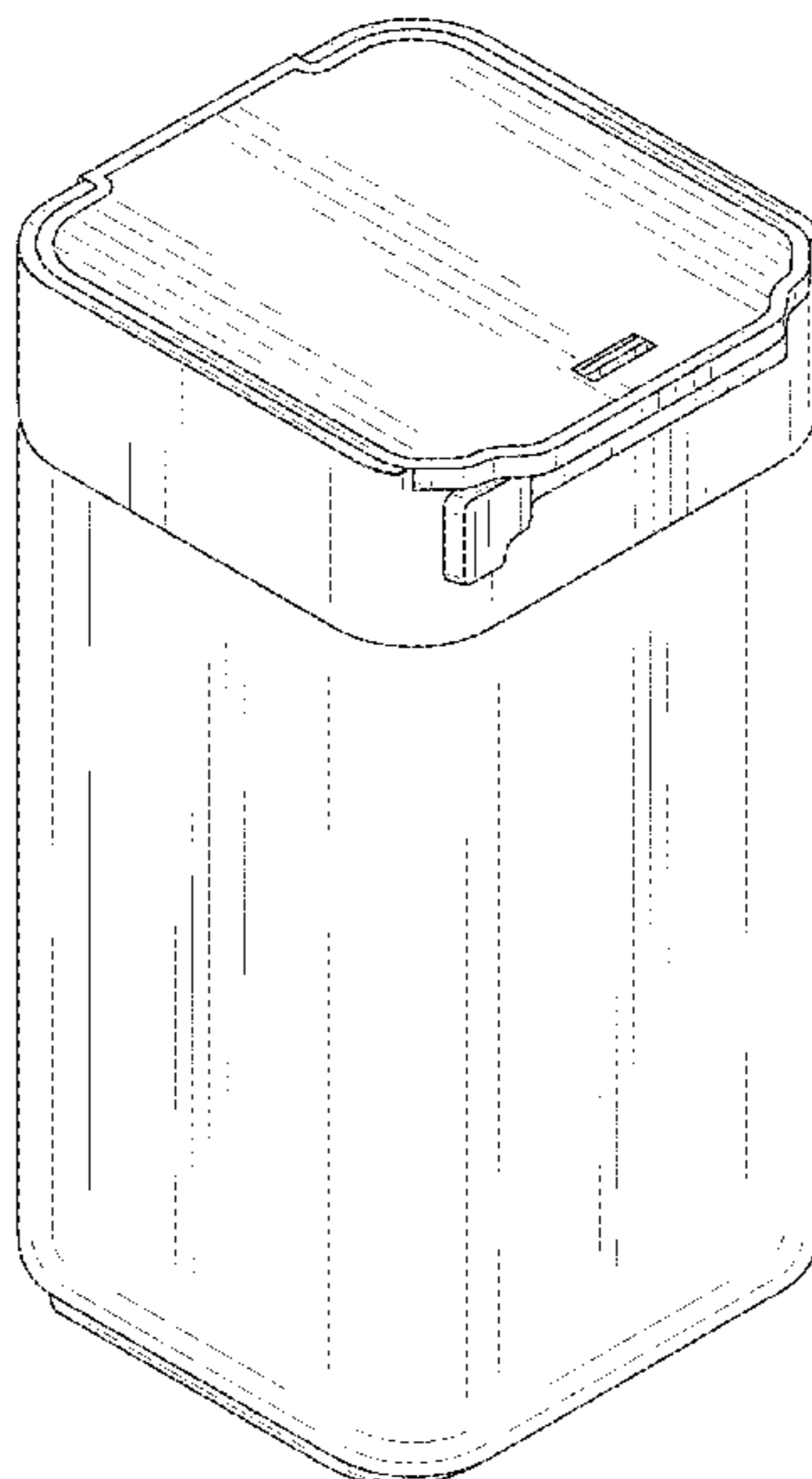
Primary Examiner — Lauren R Calve

(57) **CLAIM**
We claim the ornamental design for a product container, as substantially shown and described.

DESCRIPTION

FIG. 1 is a perspective view of a product container of the present invention.
FIG. 2 is a front view of the product container of the present invention.
FIG. 3 is a back view of the product container of the present invention.
FIG. 4 is a right side view of the product container of the present invention.
FIG. 5 is a left side view of the product container of the present invention.
FIG. 6 is a top plan view of the product container of the present invention; and,
FIG. 7 is a bottom side view of the product container of the present invention.

1 Claim, 7 Drawing Sheets



(56)

References Cited

U.S. PATENT DOCUMENTS

2017/0334614 A1* 11/2017 Herlin B65D 43/22
2018/0022505 A1* 1/2018 Herlin B65D 15/08

* cited by examiner

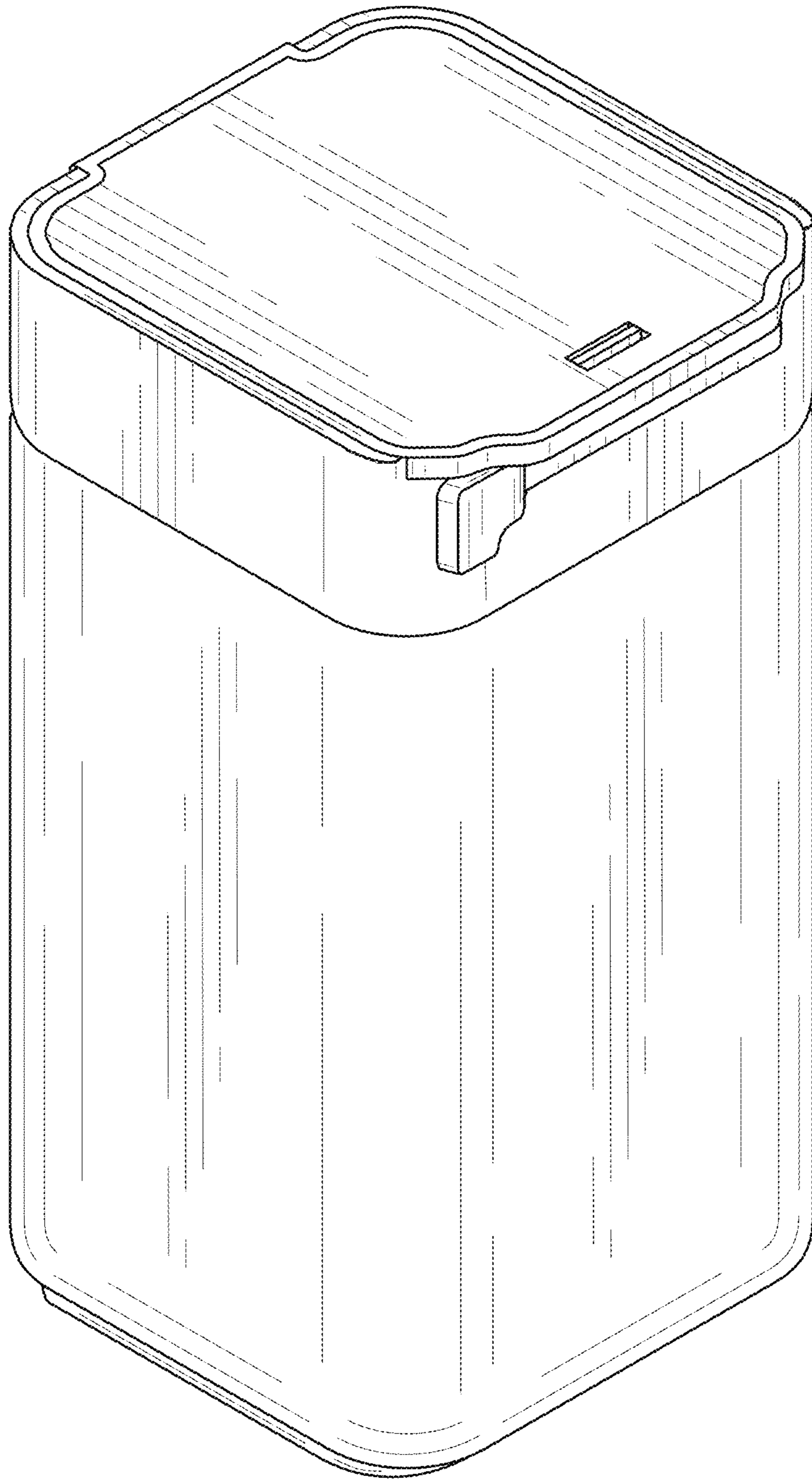


Fig. 1

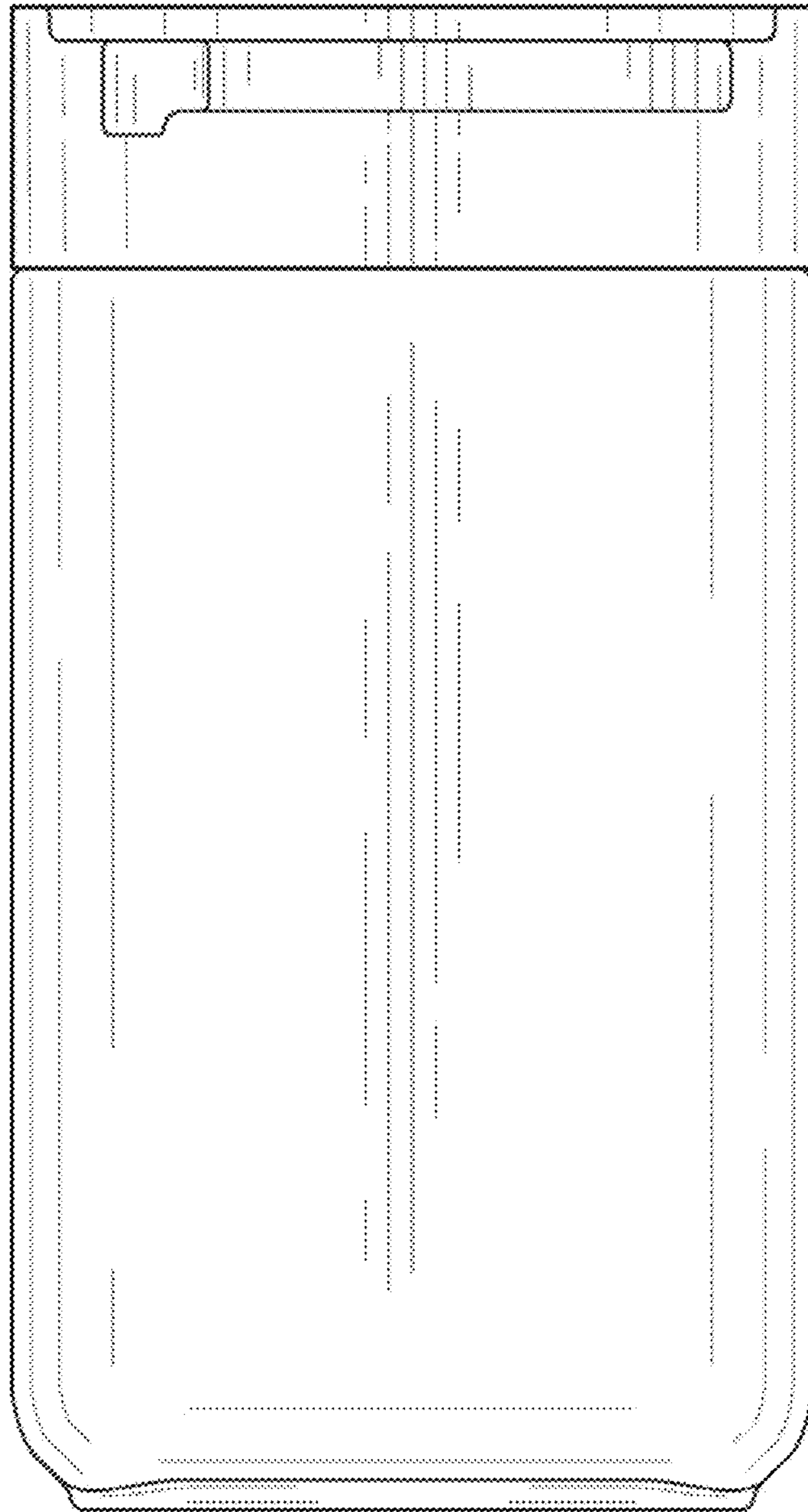


Fig. 2

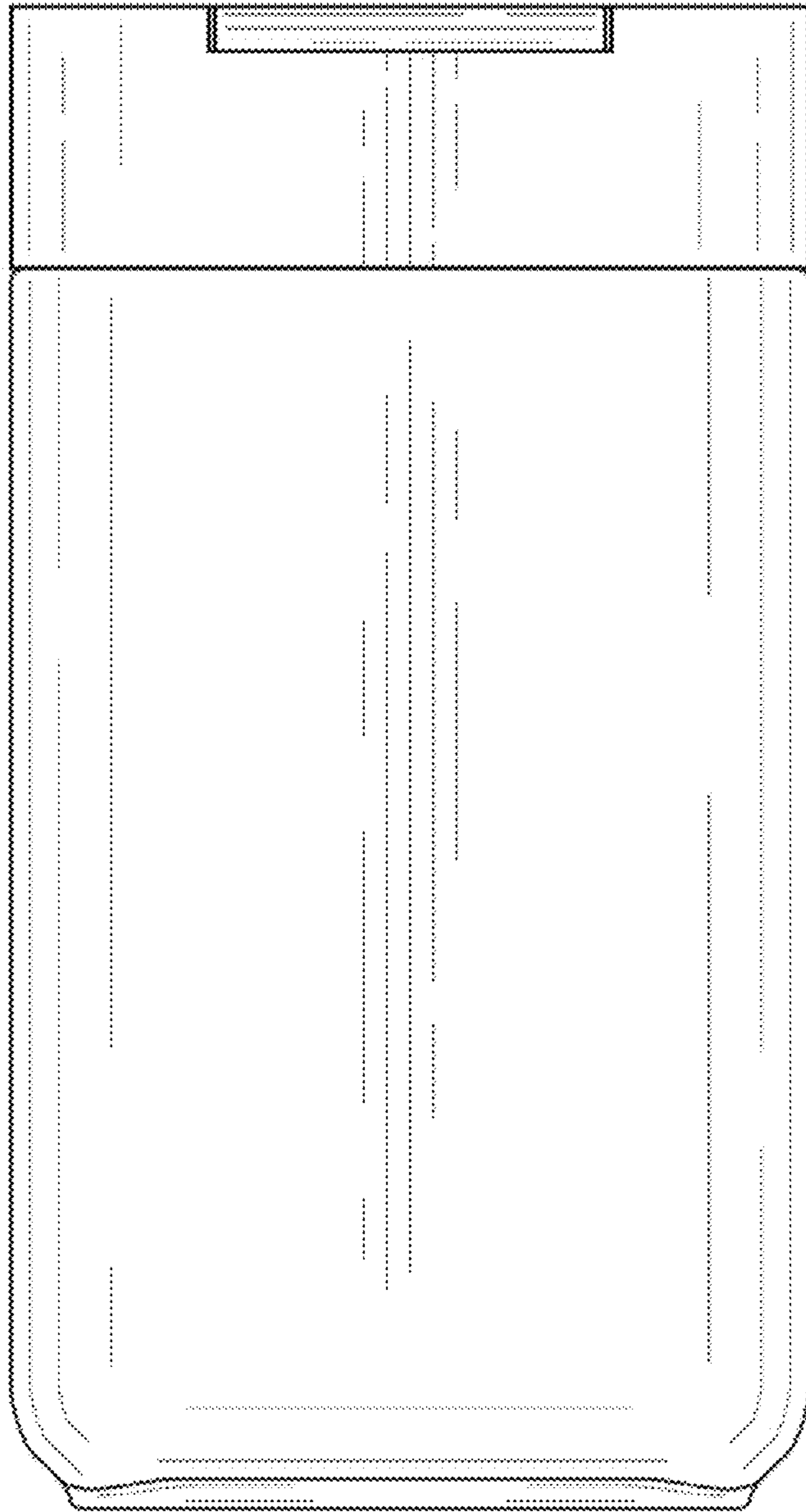


Fig. 3

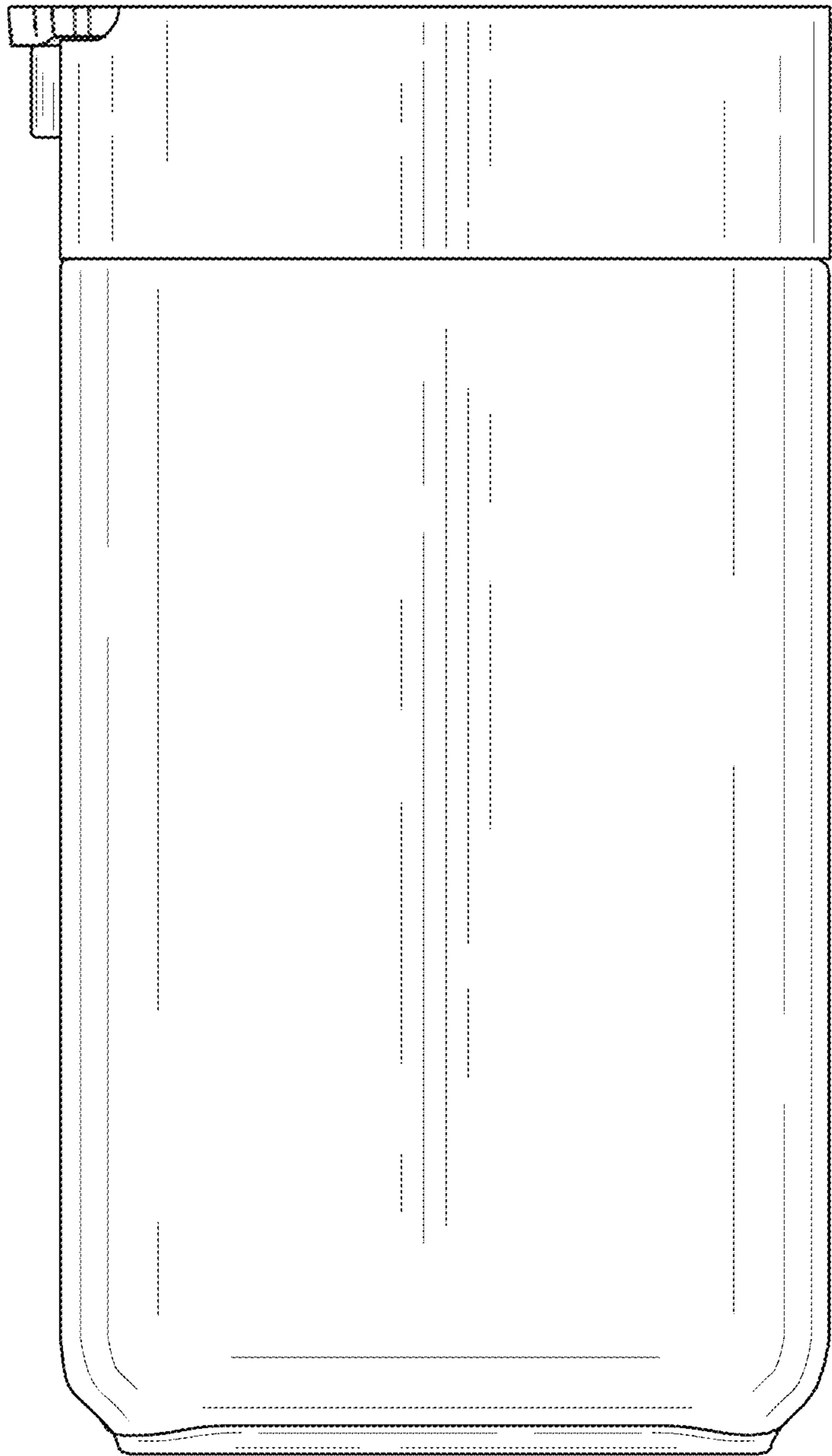


Fig. 4

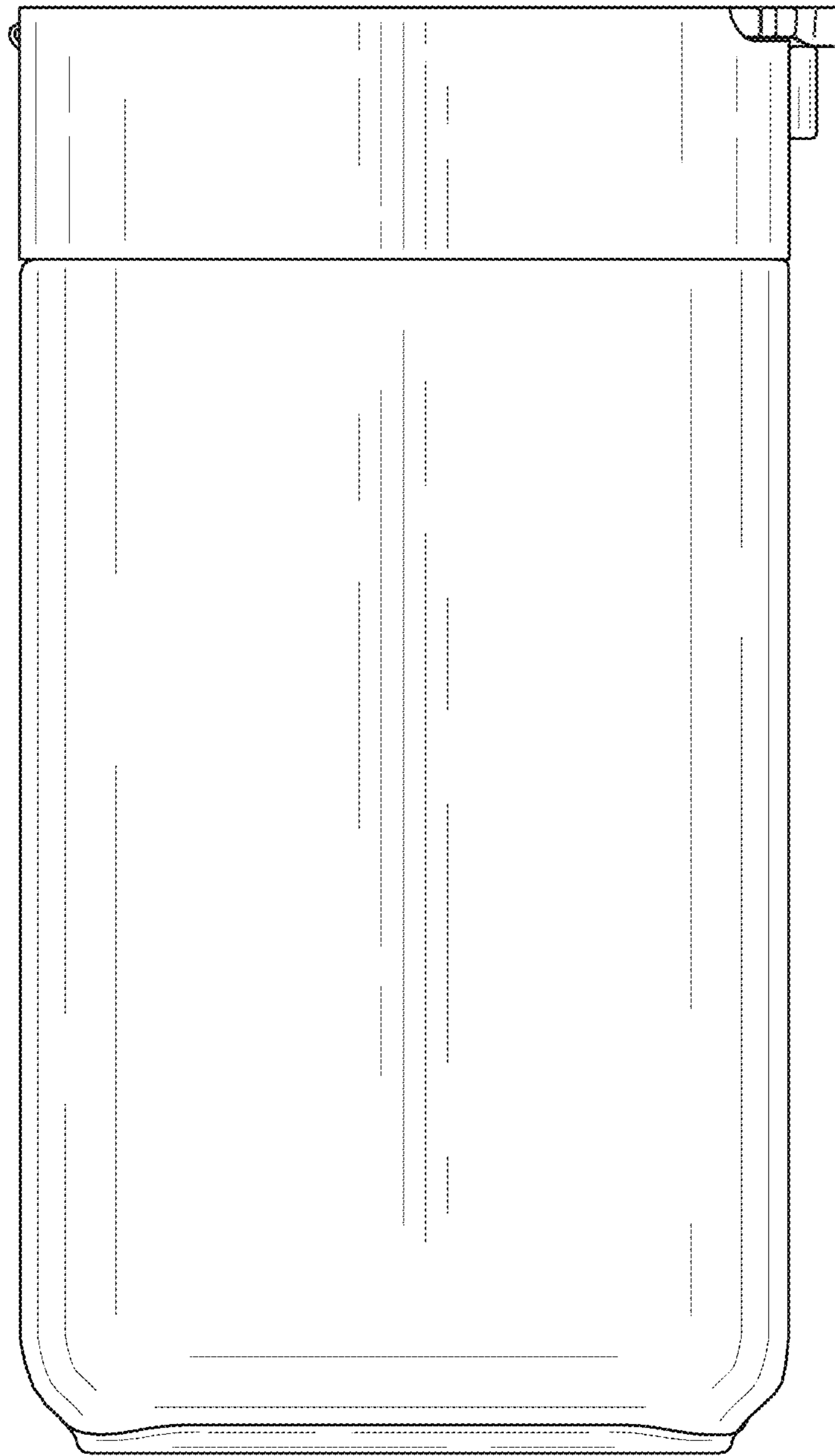


Fig. 5

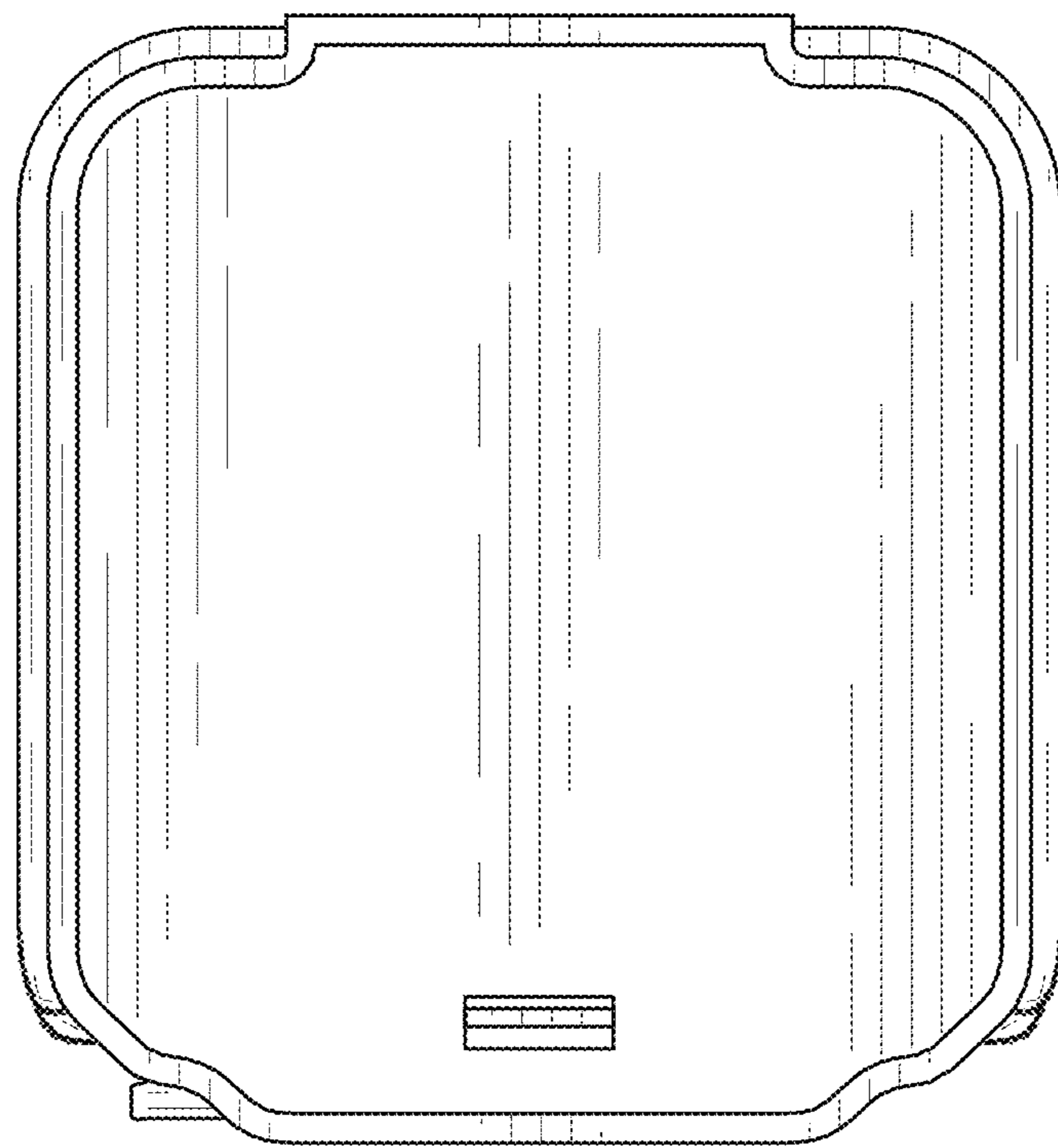


Fig. 6

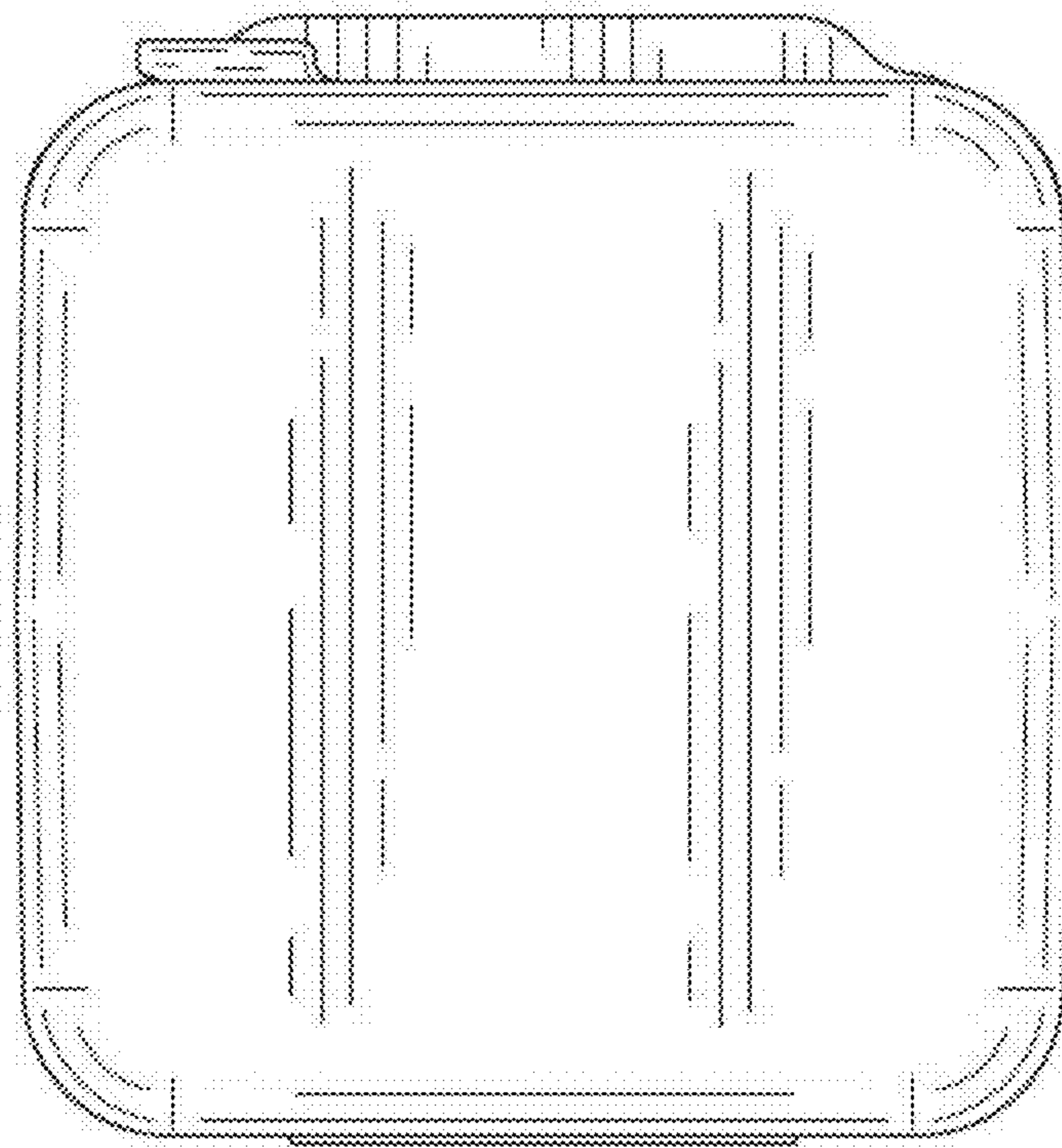


Fig. 7