



US00D821866S

(12) **United States Design Patent**
Scotti

(10) **Patent No.:** **US D821,866 S**
(45) **Date of Patent:** **** Jul. 3, 2018**

(54) **BOX WITH PACKAGING**

(71) Applicant: **Monthly Gift Inc.**, New York, NY
(US)

(72) Inventor: **Kimberly Scotti**, New York, NY (US)

(73) Assignee: **Monthly Gift Inc.**, New York, NY
(US)

(**) Term: **15 Years**

(21) Appl. No.: **29/532,746**

(22) Filed: **Jul. 9, 2015**

(51) **LOC (11) Cl.** **09-03**

(52) **U.S. Cl.**
USPC **D9/420**

(58) **Field of Classification Search**
USPC D9/420, 423, 432, 414, 430, 433, 416,
D9/418; D27/189; 206/204, 259;
229/146
CPC B65D 85/1045; B65D 85/10
See application file for complete search history.

(56) **References Cited**

U.S. PATENT DOCUMENTS

4,923,059	A *	5/1990	Evers	B65D 85/1045 206/204
6,457,580	B1 *	10/2002	Focke	B65D 85/1045 206/259
6,527,166	B1 *	3/2003	Focke	B65D 85/1045 229/146
D575,636	S *	8/2008	Krautter	D9/420
D579,325	S *	10/2008	Bray	B65D 85/1045 D9/423
D602,351	S *	10/2009	Toinet	D9/423
D607,318	S *	1/2010	Collins	B65D 85/10 D9/423
D662,411	S *	6/2012	Tearle	D27/189
D693,670	S *	11/2013	Van Landsveld	D9/423
D698,642	S *	2/2014	Tawada	D9/423

D699,565	S *	2/2014	Mitra-Shah	D9/423
D721,575	S *	1/2015	Paboojian	D9/423
D728,364	S *	5/2015	Baker	D9/432
D741,002	S *	10/2015	Liu	D27/189
D743,247	S *	11/2015	Solovov, Jr.	D9/414

(Continued)

Primary Examiner — Rhea Shields

(74) *Attorney, Agent, or Firm* — Loeb & Loeb LLP

(57) **CLAIM**

The ornamental design for a box with packaging, as shown and described.

DESCRIPTION

FIG. 1 is an isometric view of a box with packaging showing my new design.

FIG. 2 is a front elevational view of the box with packaging of FIG. 1.

FIG. 3 is a rear elevational view of the box with packaging of FIG. 1.

FIG. 4 is a right side elevational view of the box with packaging of FIG. 1.

FIG. 5 is a left side elevational view of the box with packaging of FIG. 1.

FIG. 6 is a top view of the box with packaging of FIG. 1.

FIG. 7 is a bottom view of the box with packaging of FIG. 1.

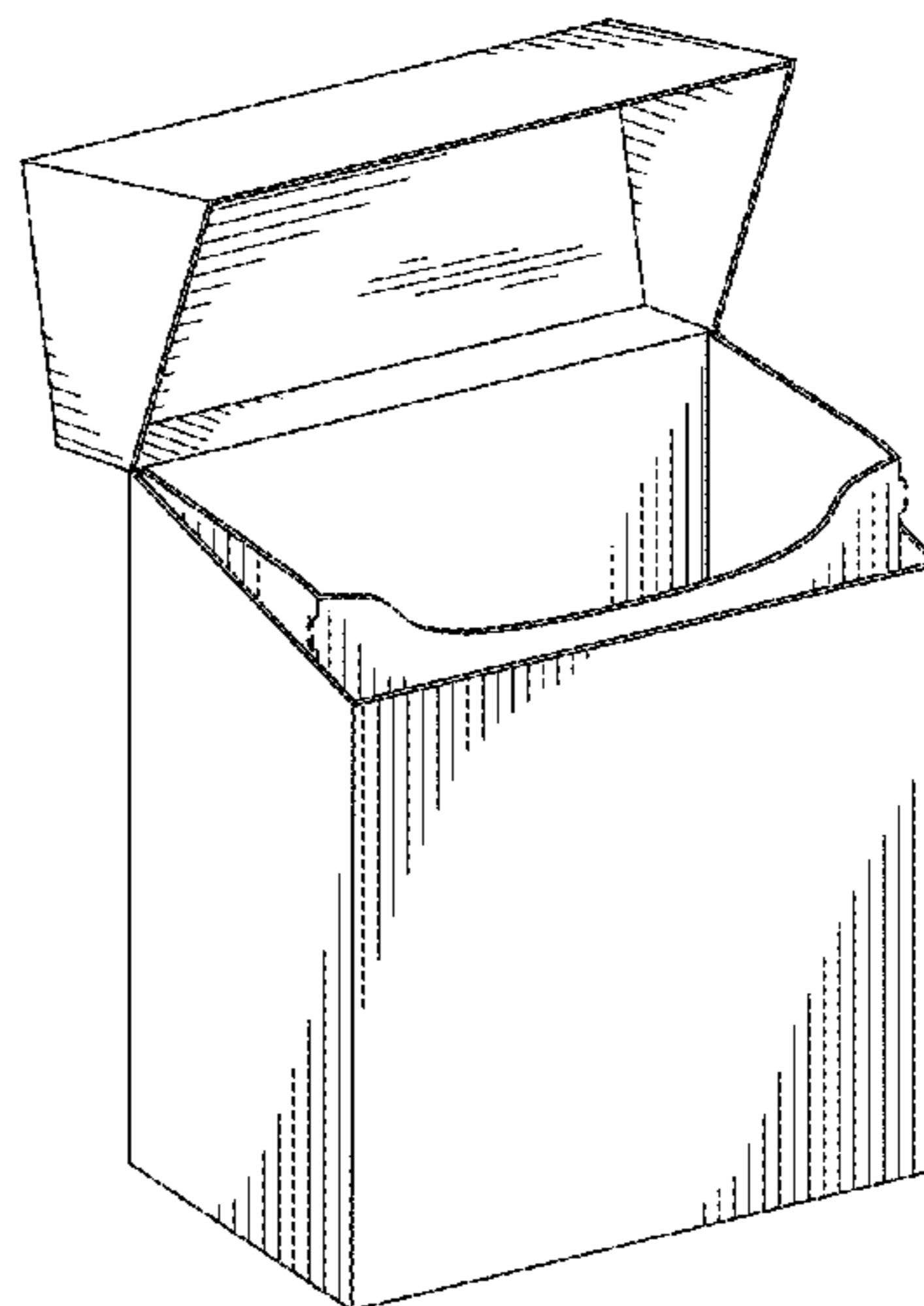
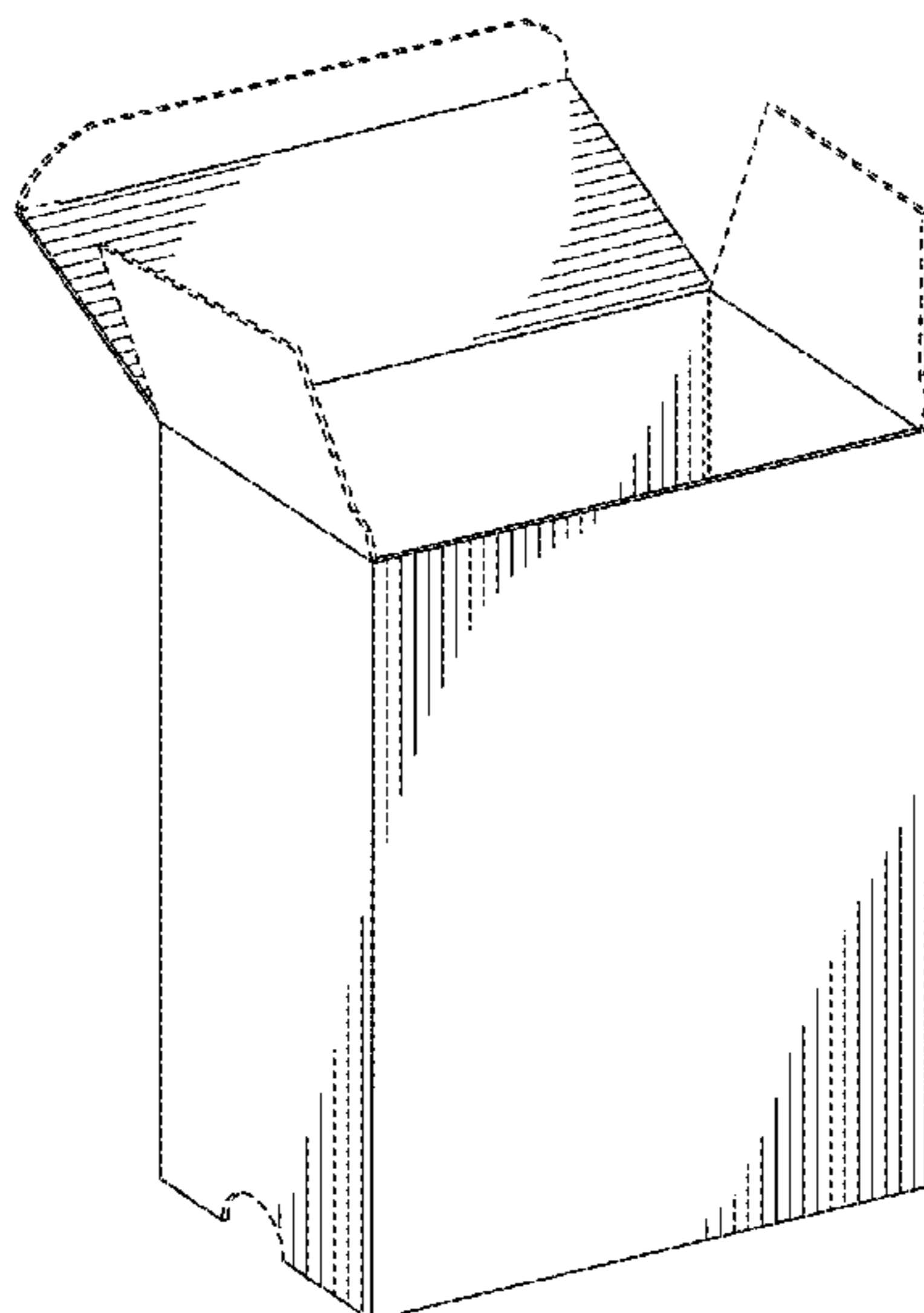
FIG. 8 is an isometric view of the box with packaging in FIG. 1 with the box partially inserted into the packaging.

FIG. 9 is a top view of the packaging of FIG. 1 in an unfolded position; and,

FIG. 10 is a top view of the box of FIG. 1 in an unfolded position.

Throughout the drawings, the shorter broken lines are for the purpose of illustrating environment only and form no part of the claimed design. Additionally, in FIGS. 9 and 10 the longer dashed lines are for the purpose of illustrating fold lines and form a part of the claimed design.

1 Claim, 10 Drawing Sheets



(56)

References Cited

U.S. PATENT DOCUMENTS

D745,390 S	*	12/2015	Glass	D9/423
D745,392 S	*	12/2015	Solovov, Jr.	D9/433
D746,677 S	*	1/2016	Candelaria	D9/430
D747,188 S	*	1/2016	Candelaria	D9/430
D748,467 S	*	2/2016	Angeloni	D9/420
D758,182 S	*	6/2016	Sponselee	D9/423
D787,321 S	*	5/2017	Pantelleria	D9/423
D788,581 S	*	6/2017	Gay	D9/430
D789,782 S	*	6/2017	Kahawaiolaa	D9/414
D801,803 S	*	11/2017	Mitten	D9/416
D804,298 S	*	12/2017	Demmink	D9/418

* cited by examiner

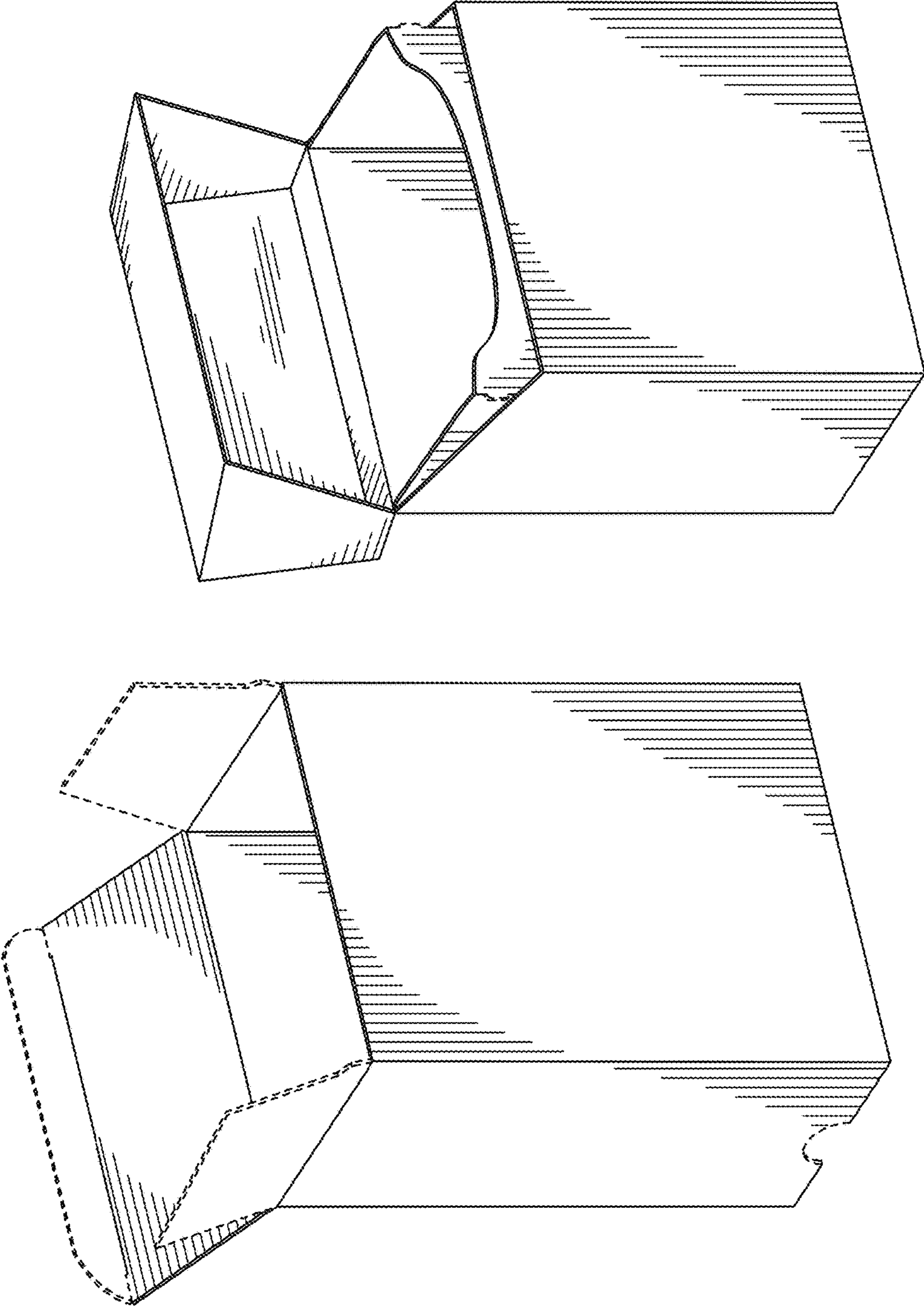


FIG. 1

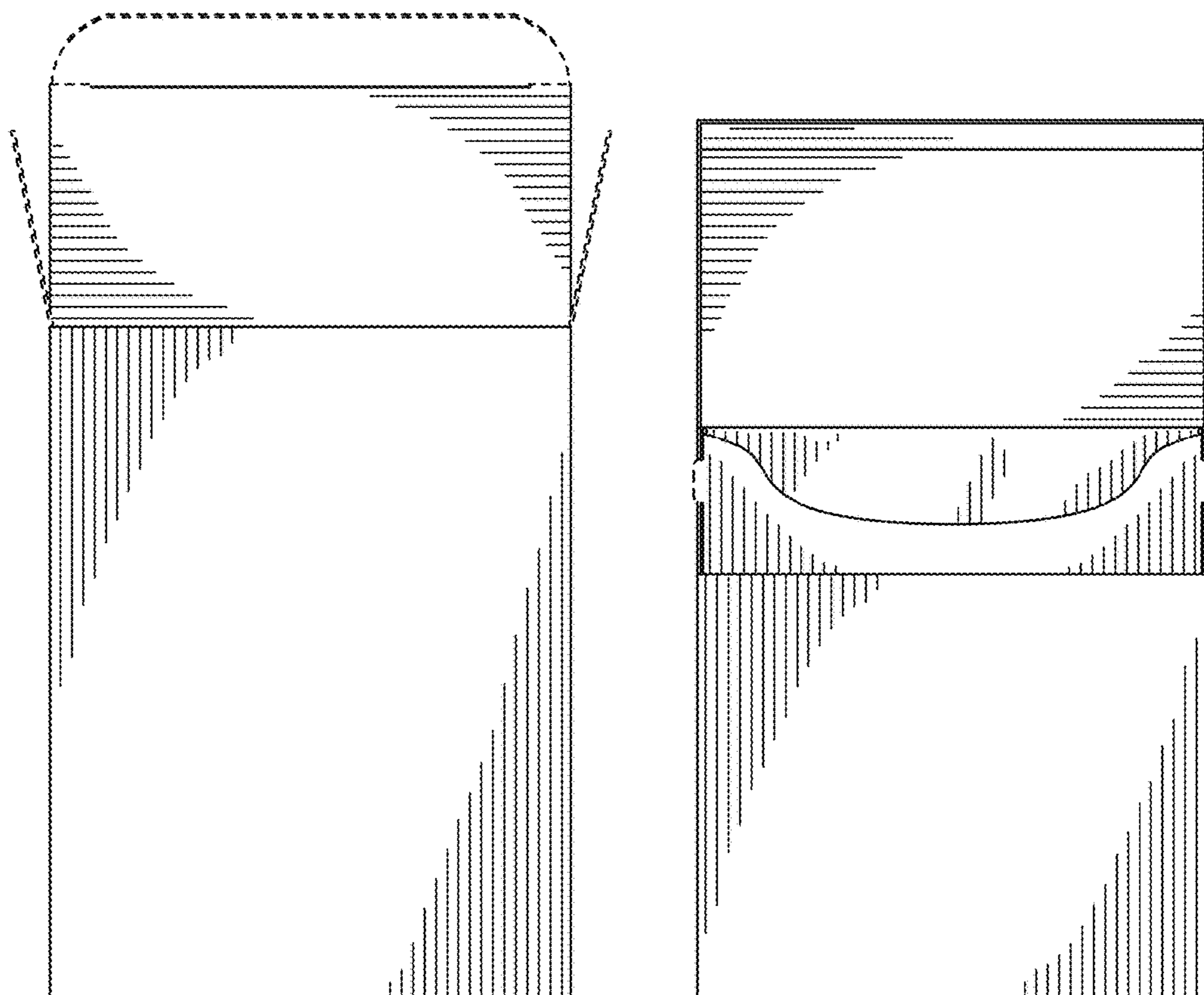


FIG. 2

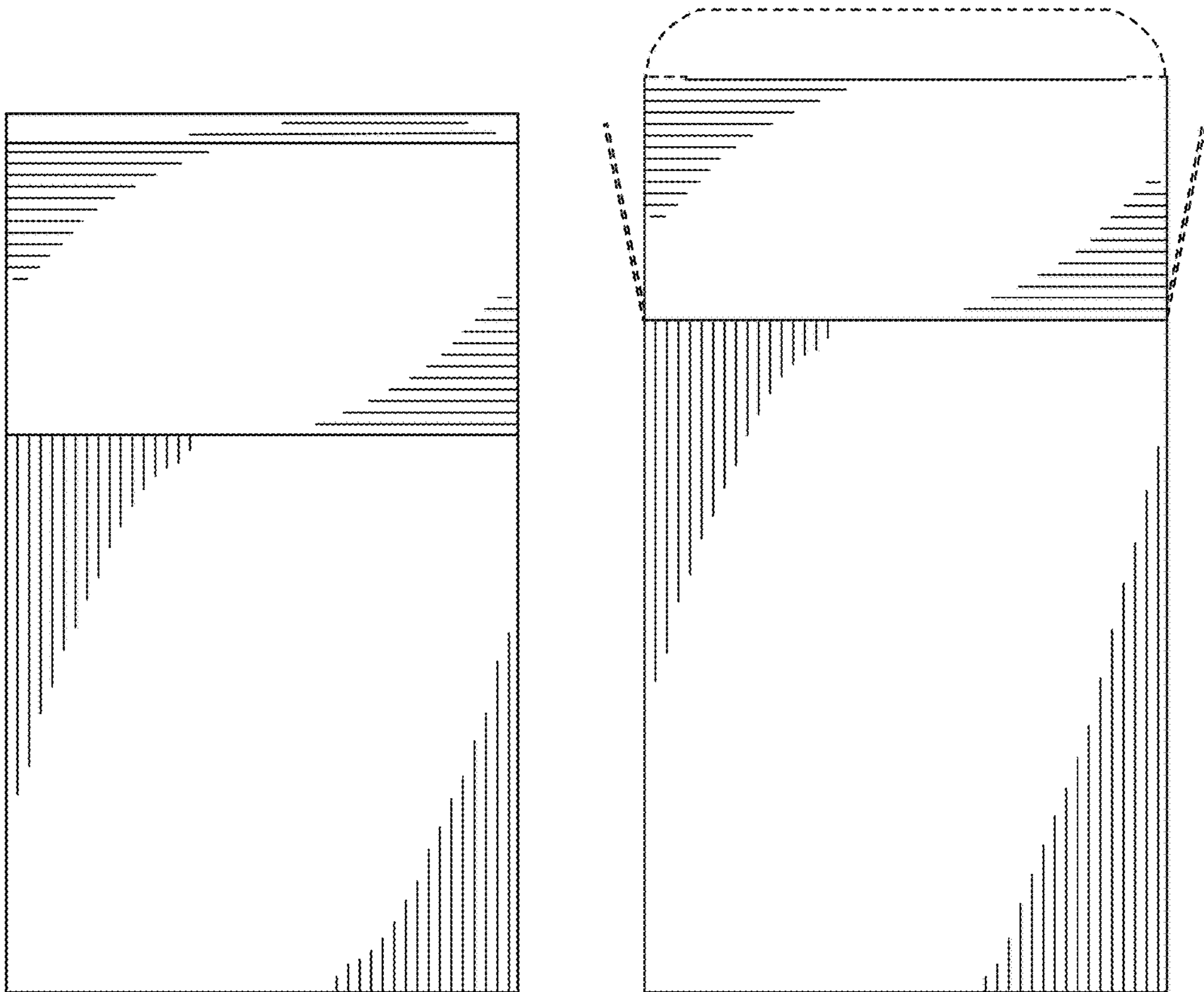


FIG. 3

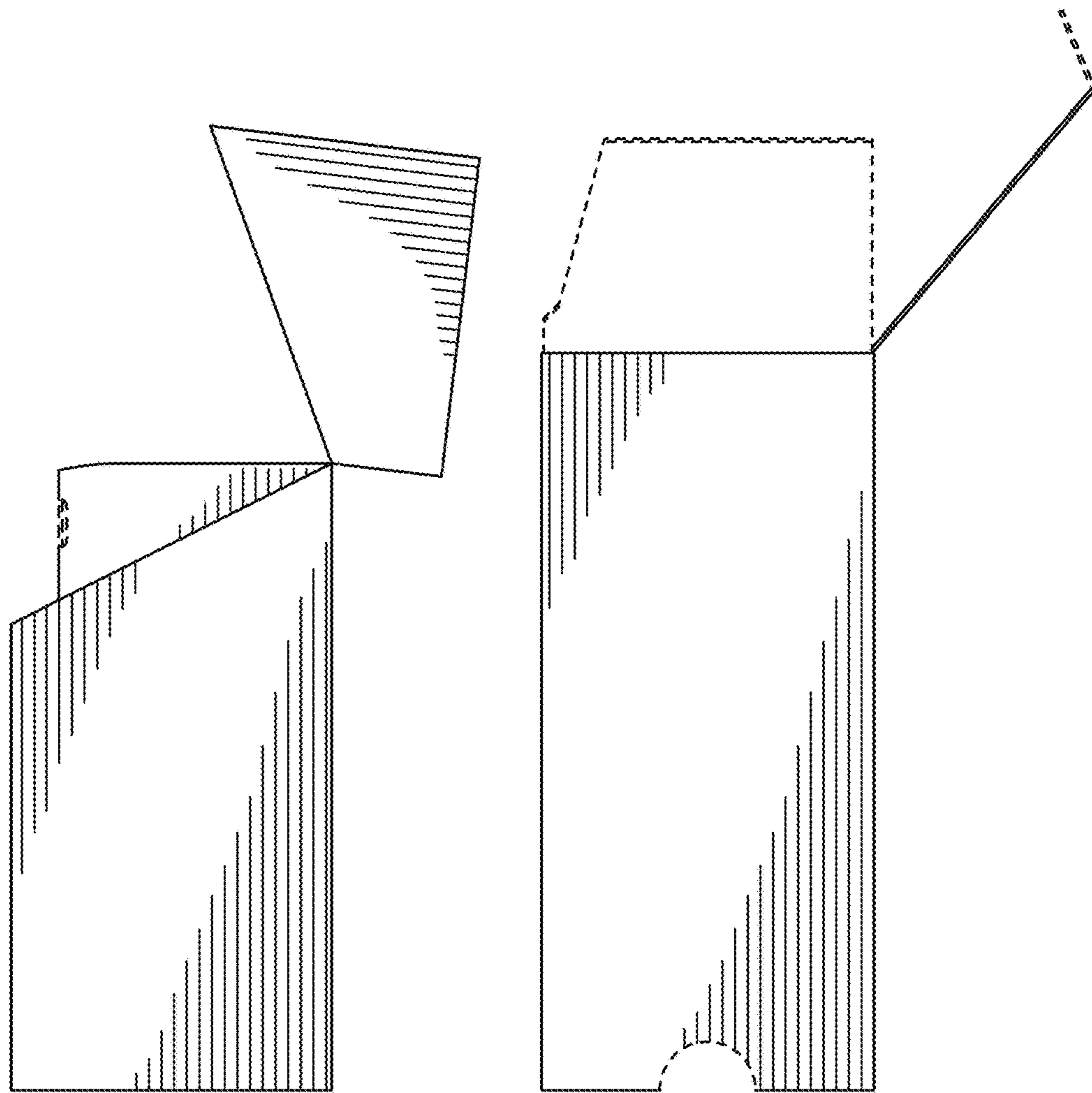


FIG. 4

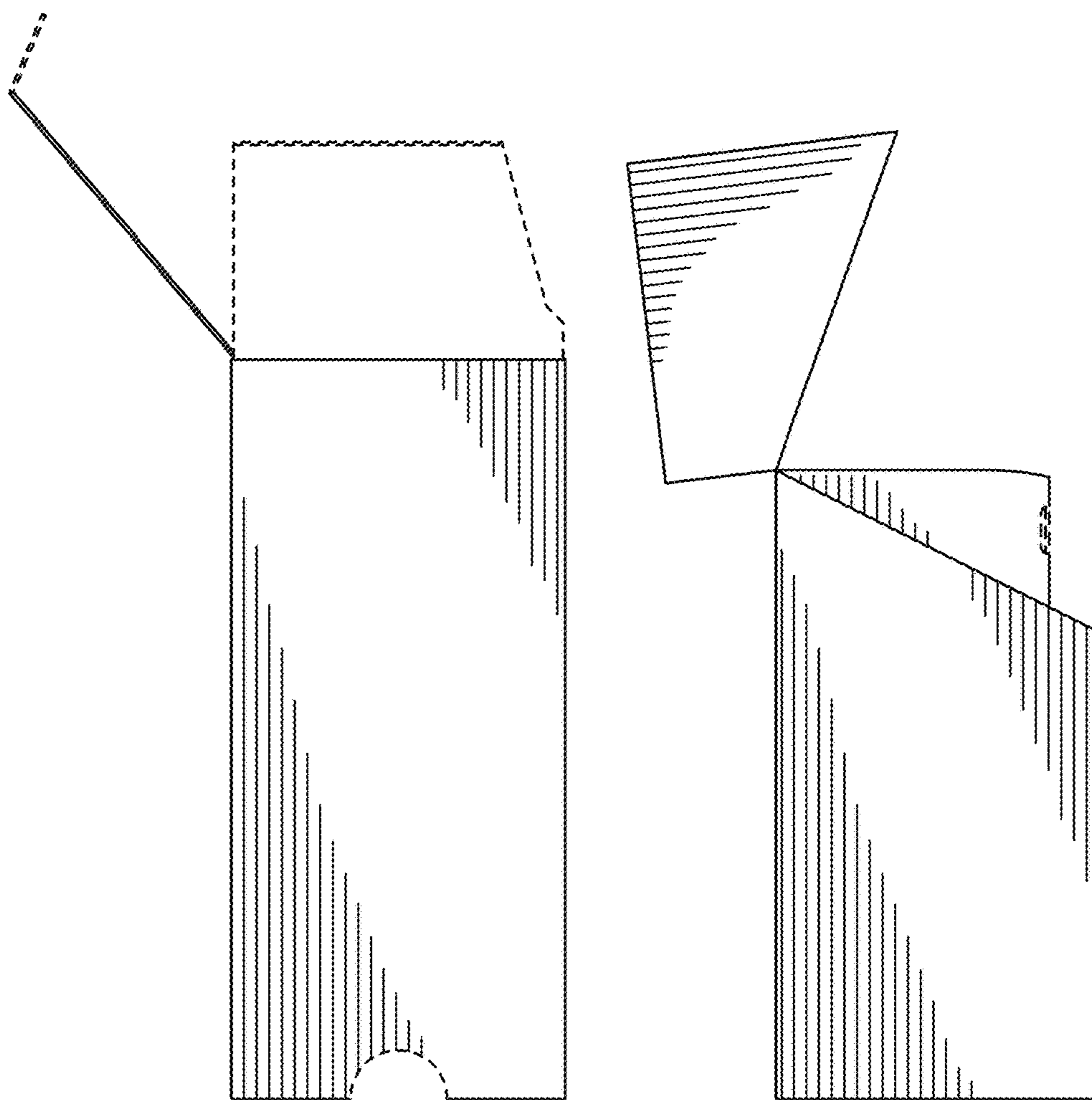


FIG. 5

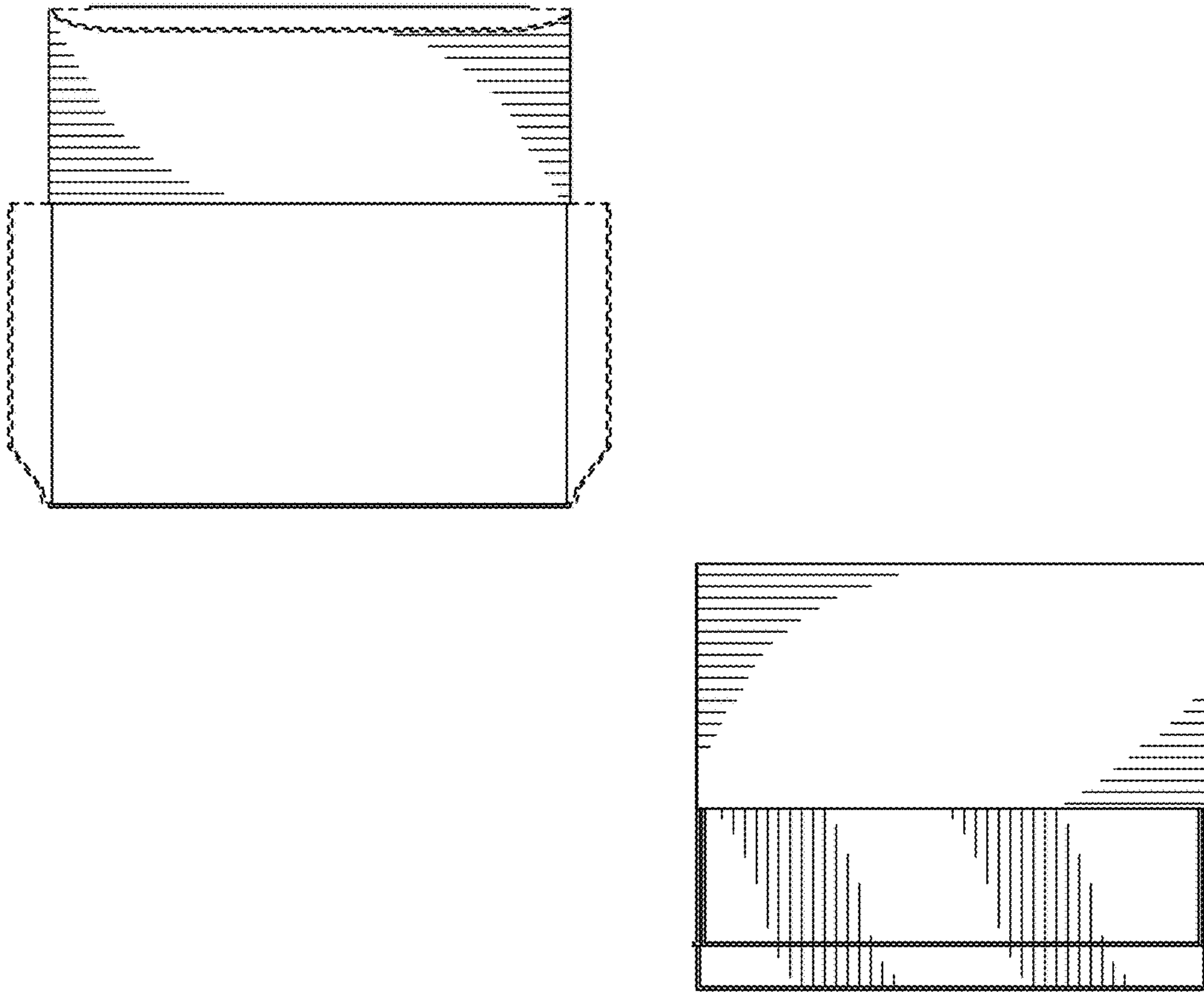


FIG. 6

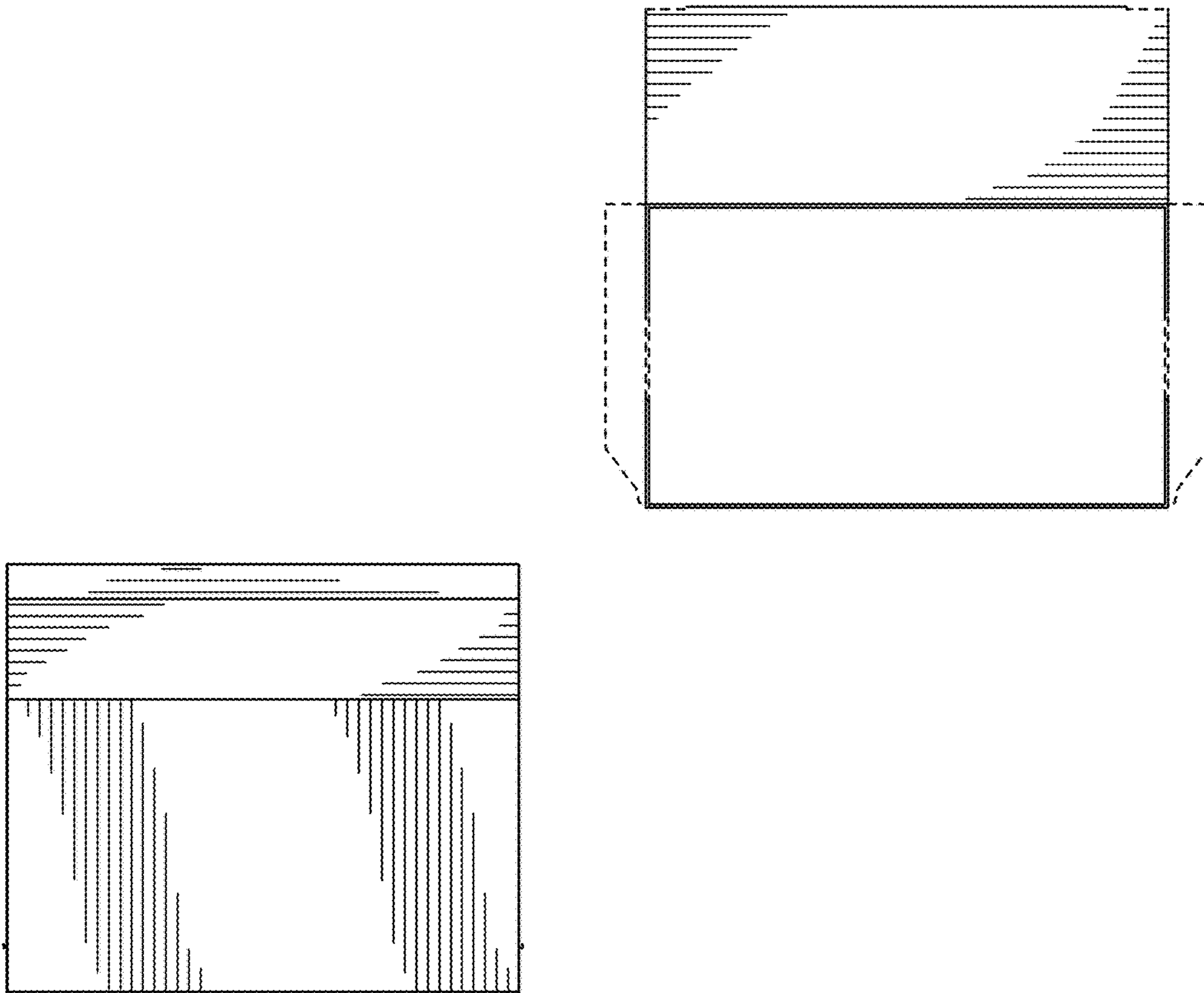


FIG. 7

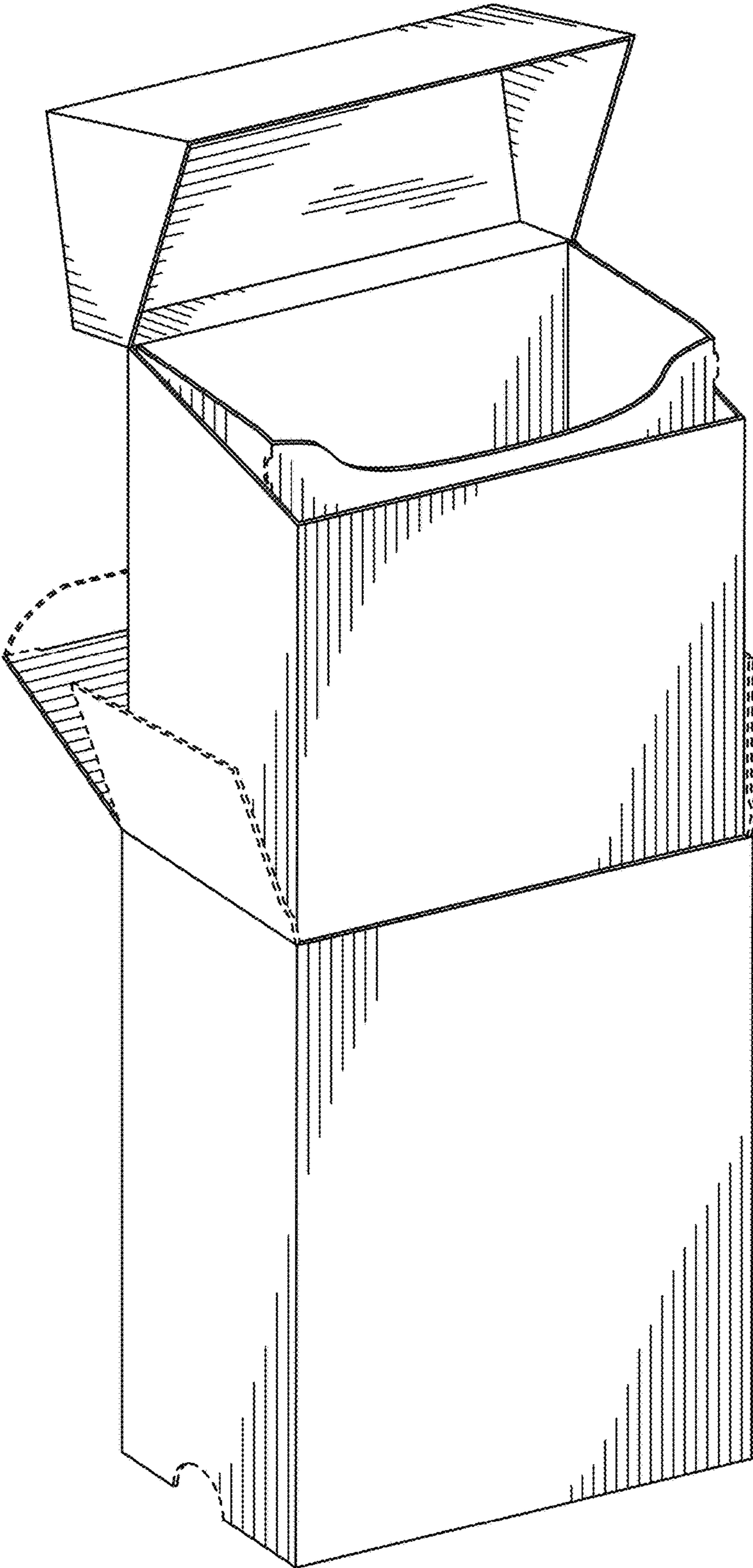


FIG. 8

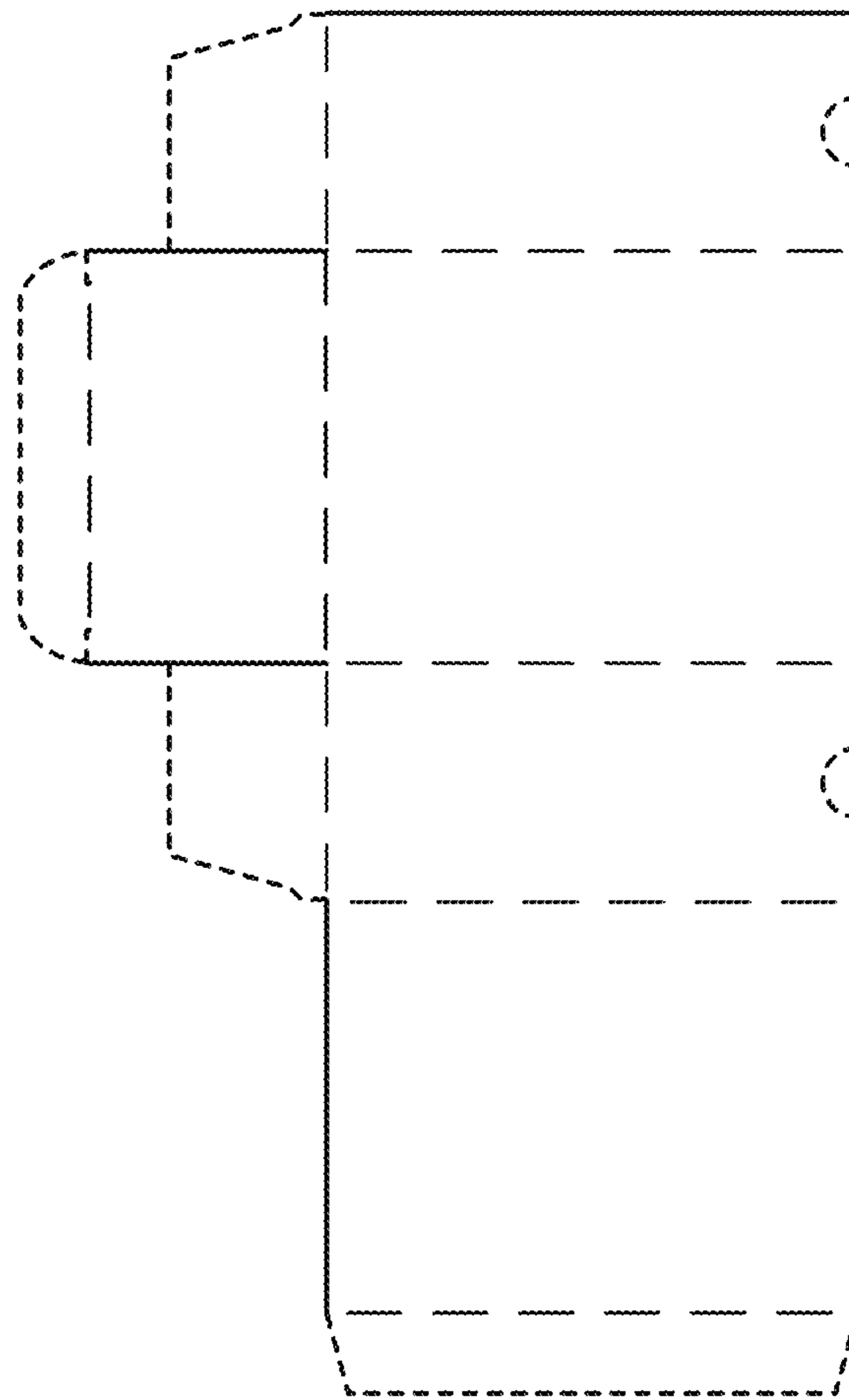


FIG. 9

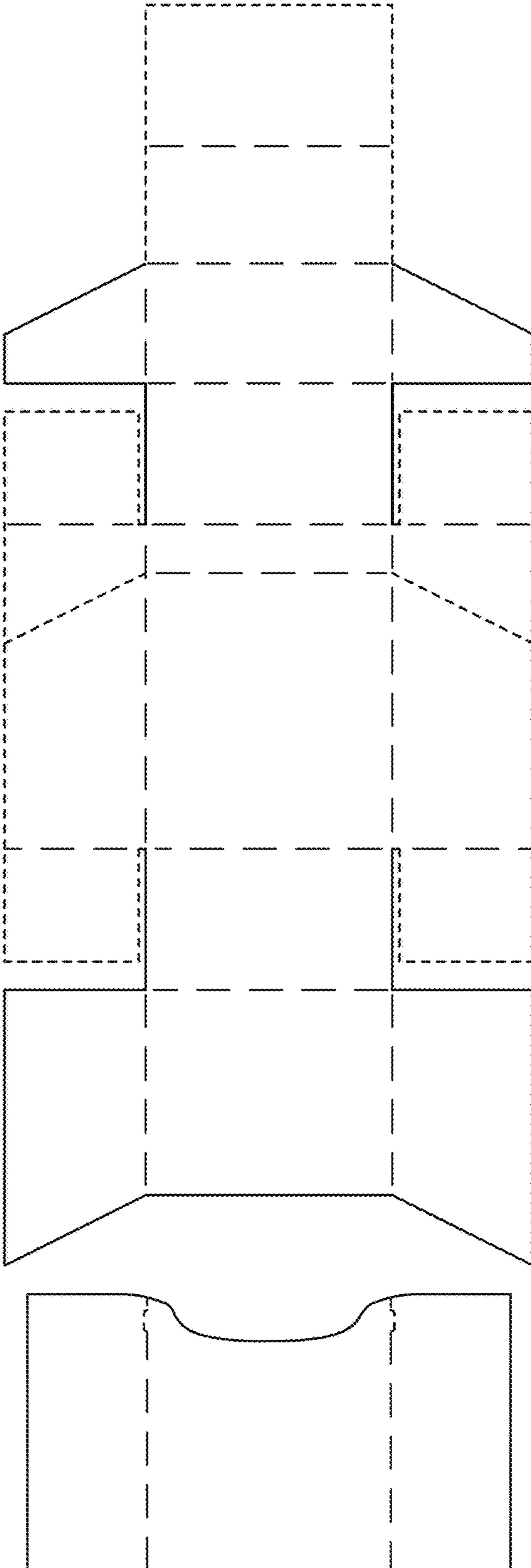


FIG. 10