



US00D821865S

(12) **United States Design Patent**
Shaffer

(10) **Patent No.:** **US D821,865 S**

(45) **Date of Patent:** **** Jul. 3, 2018**

(54) **PACKAGING FOR EYEWEAR**

(71) Applicant: **Curt A. Shaffer**, Greenwood Village,
CO (US)

(72) Inventor: **Curt A. Shaffer**, Greenwood Village,
CO (US)

(**) Term: **15 Years**

(21) Appl. No.: **29/598,827**

(22) Filed: **Mar. 29, 2017**

(51) **LOC (11) Cl.** **09-03**

(52) **U.S. Cl.**
USPC **D9/418; D9/424**

(58) **Field of Classification Search**
USPC 206/5, 216
CPC A45C 11/04; G02C 5/12
See application file for complete search history.

(56) **References Cited**

U.S. PATENT DOCUMENTS

D290,232 S *	6/1987	Holzkopf	D9/424
D366,828 S *	2/1996	Bachand	D9/425
D394,001 S *	5/1998	Vilos	D9/424
D415,679 S *	10/1999	Hata	D9/415
D421,900 S *	3/2000	Eneroth	D9/732
6,079,561 A *	6/2000	Burkard	B65D 75/323 206/459.5
6,131,737 A *	10/2000	Marshall	B65D 75/36 206/348
D494,857 S *	8/2004	Chen	D9/424
D508,647 S *	8/2005	Silver	D9/415
D574,229 S *	8/2008	Terrasi	D9/416
D592,497 S *	5/2009	Brown	D9/424
D608,221 S *	1/2010	Marchetti	D9/732
D616,296 S *	5/2010	Britt	D9/415
D632,167 S *	2/2011	Sauriol	D9/415
D632,955 S *	2/2011	Smith, III	D9/415
D645,355 S *	9/2011	D'Amato	D9/522
D645,764 S *	9/2011	Mathis	D9/424

D655,628 S *	3/2012	Mehren	D9/732
D668,532 S *	10/2012	Bowler	D9/415
D669,347 S *	10/2012	Anderson	D9/415
D669,368 S *	10/2012	Ehrmann	D9/424
D670,161 S *	11/2012	Birgers	D9/415
D679,862 S *	4/2013	Sunder	D28/8.1
D680,882 S *	4/2013	Logue	D9/732
D686,090 S *	7/2013	Logue	D9/732
D703,551 S *	4/2014	Kirchmayr	D9/424
D712,283 S *	9/2014	Ehrmann	D9/424
D716,549 S *	11/2014	Porter	A45C 11/04 D3/266
D745,385 S *	12/2015	Palsson	D9/415
D764,274 S *	8/2016	Arinsmier	D9/425
D774,249 S *	12/2016	McLenithan	D28/8.1
D781,140 S *	3/2017	Hubner	D9/415
D786,504 S *	5/2017	Rigobert	D28/8.1

(Continued)

Primary Examiner — Caron D Veynar

Assistant Examiner — Mehri F Bajoul

(74) *Attorney, Agent, or Firm* — Reilly Intellectual
Property Law Firm

(57) **CLAIM**

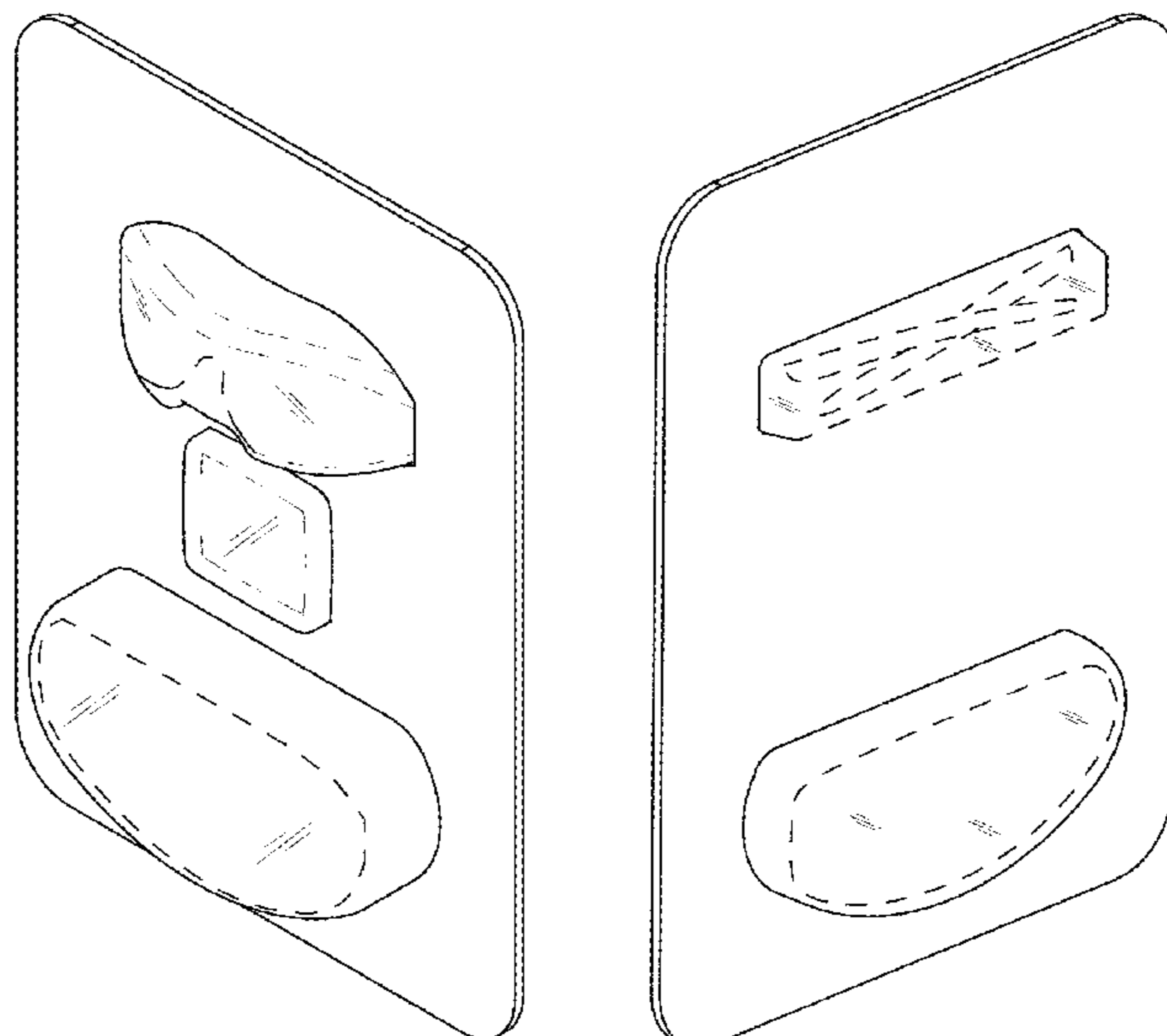
The ornamental design for packaging for eyewear, as shown
and described.

DESCRIPTION

FIG. 1 is a front perspective view;
FIG. 2 is a rear perspective view;
FIG. 3 is a top view of FIG. 1;
FIG. 4 is a front view;
FIG. 5 is a bottom view of FIG. 1;
FIG. 6 is a side view; and,
FIG. 7 is rear view.

The broken lines are included for the purpose of illustrating
environmental structure consisting of eyewear, eyewear
wipes and an eyewear case and form no part of the claimed
designs used in FIGS. 1-7.

1 Claim, 3 Drawing Sheets



(56)

References Cited

U.S. PATENT DOCUMENTS

D786,505 S * 5/2017 Rigobert D28/8.1
D791,405 S * 7/2017 Rigobert D28/8.1
D791,585 S * 7/2017 Stronski D9/415
2009/0114550 A1* 5/2009 Ying A45C 11/04
206/5
2011/0290675 A1* 12/2011 Shiue B65D 73/0092
206/5
2016/0021999 A1* 1/2016 Harada A45C 11/04
206/5
2016/0368682 A1* 12/2016 Mogna B65D 65/38
2017/0303656 A1* 10/2017 Sabie A45C 11/04
2017/0319435 A1* 11/2017 Trombley B65D 75/367

* cited by examiner

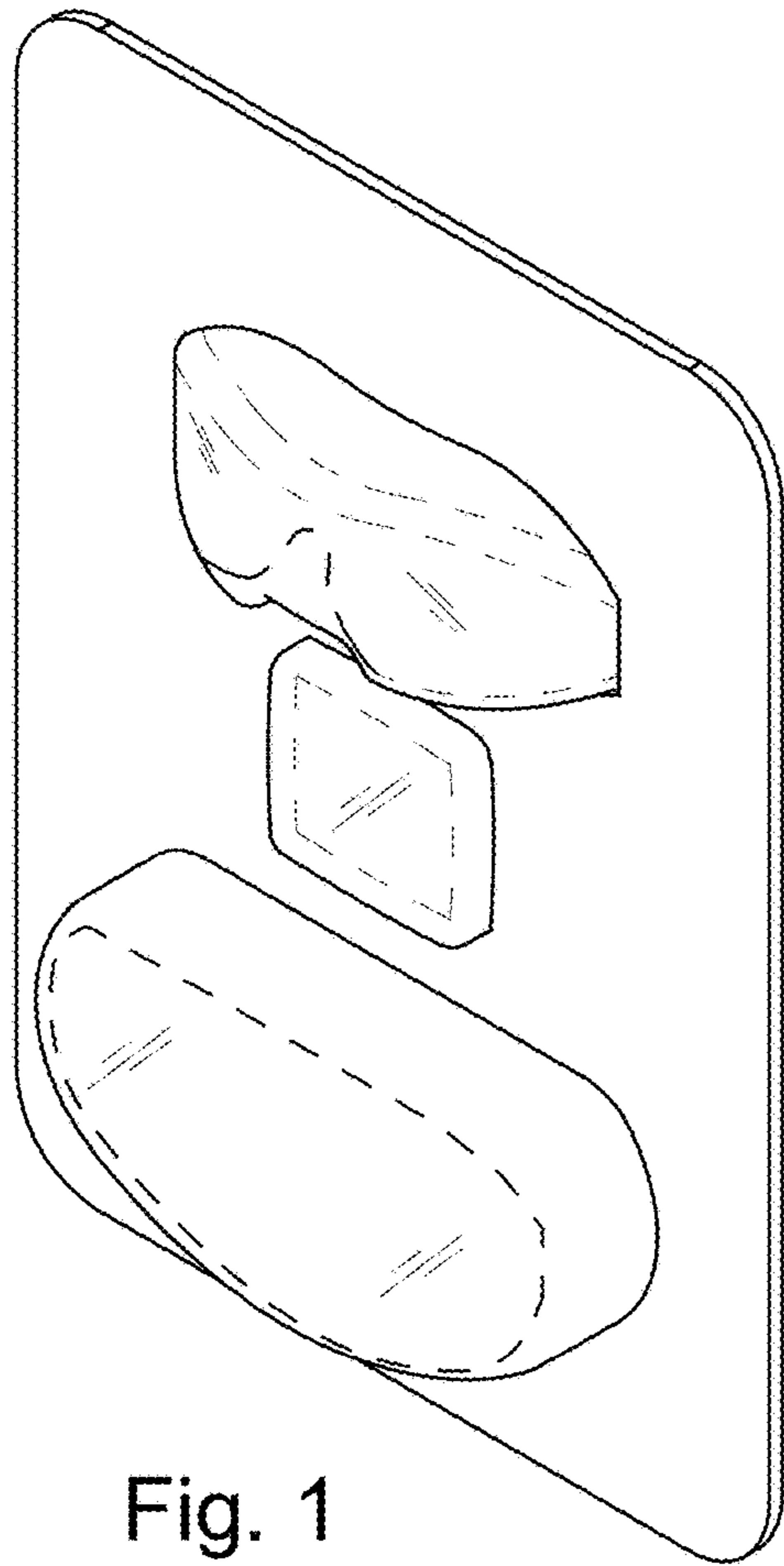


Fig. 1

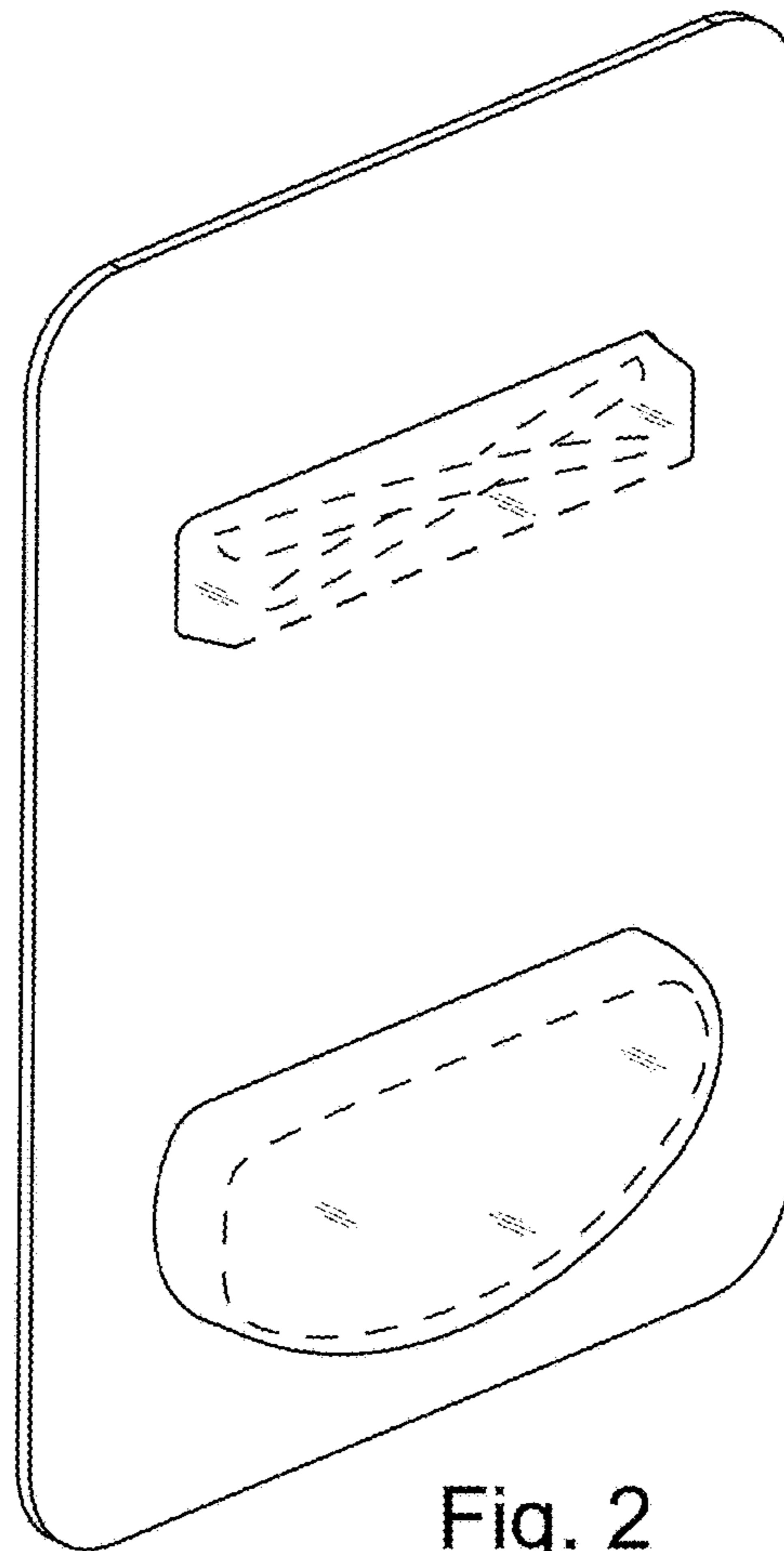


Fig. 2

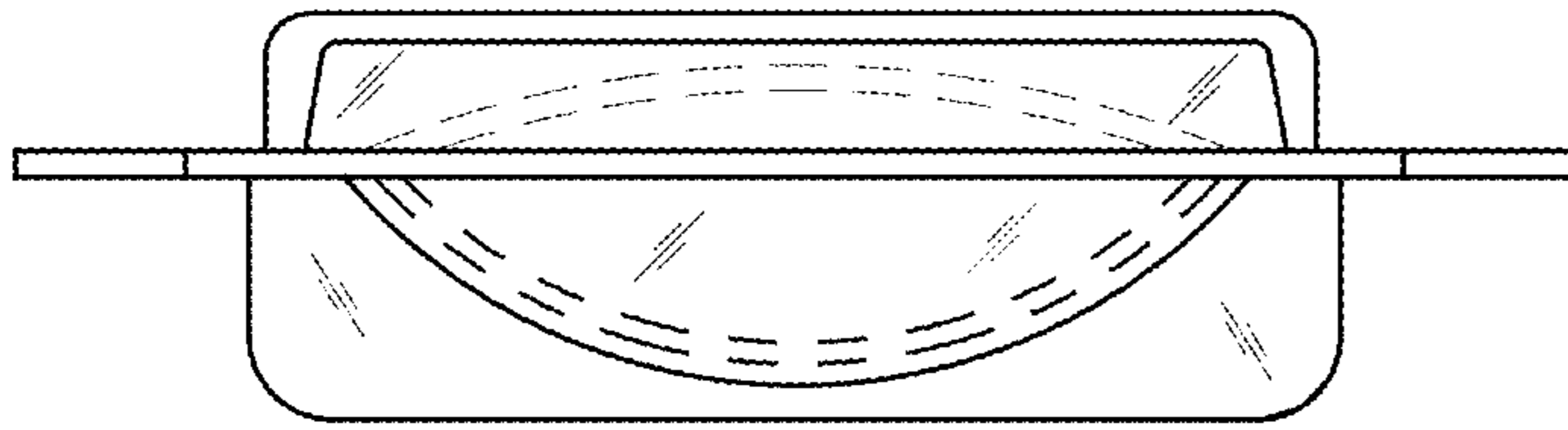


Fig. 3

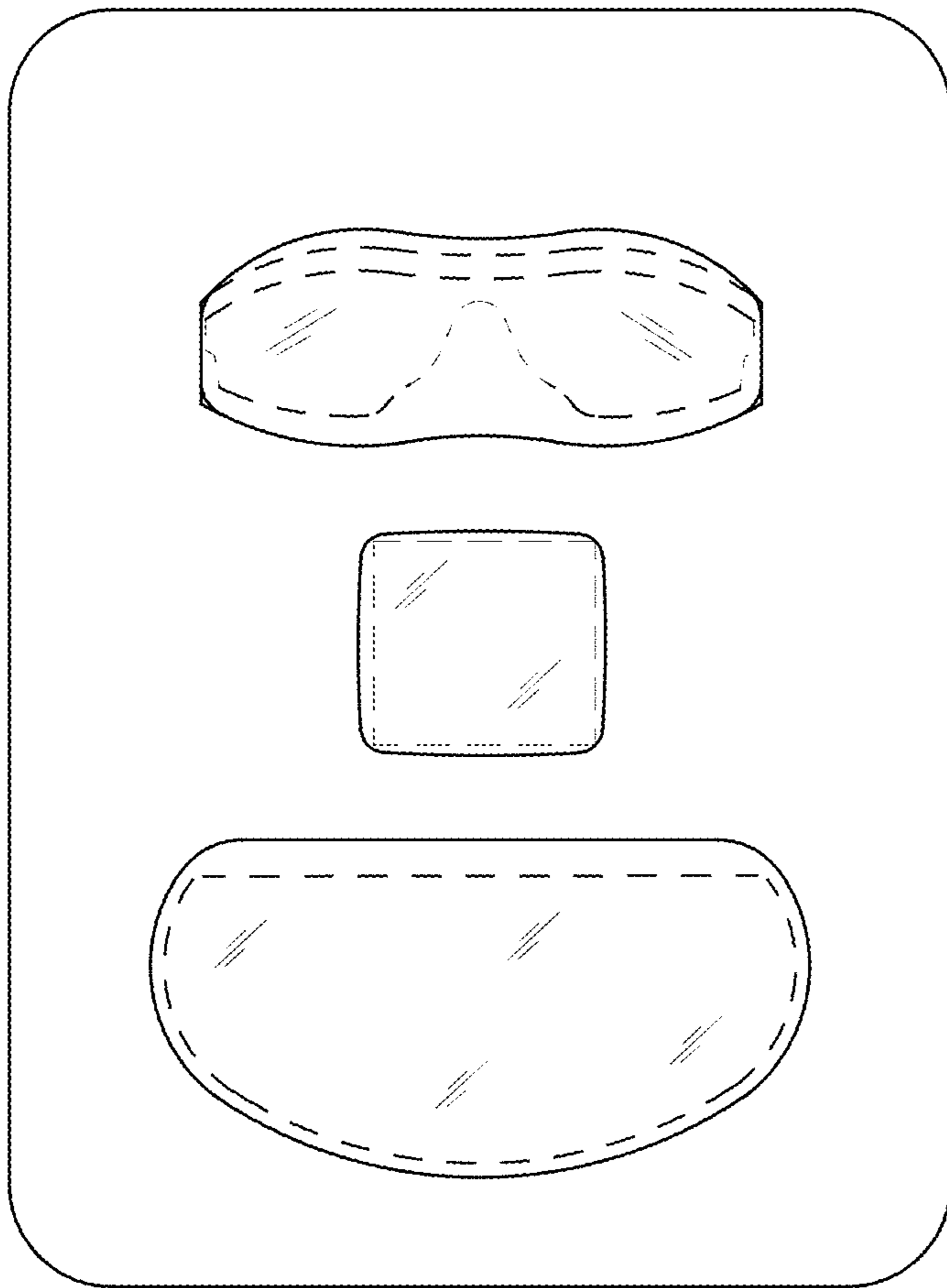


Fig. 4

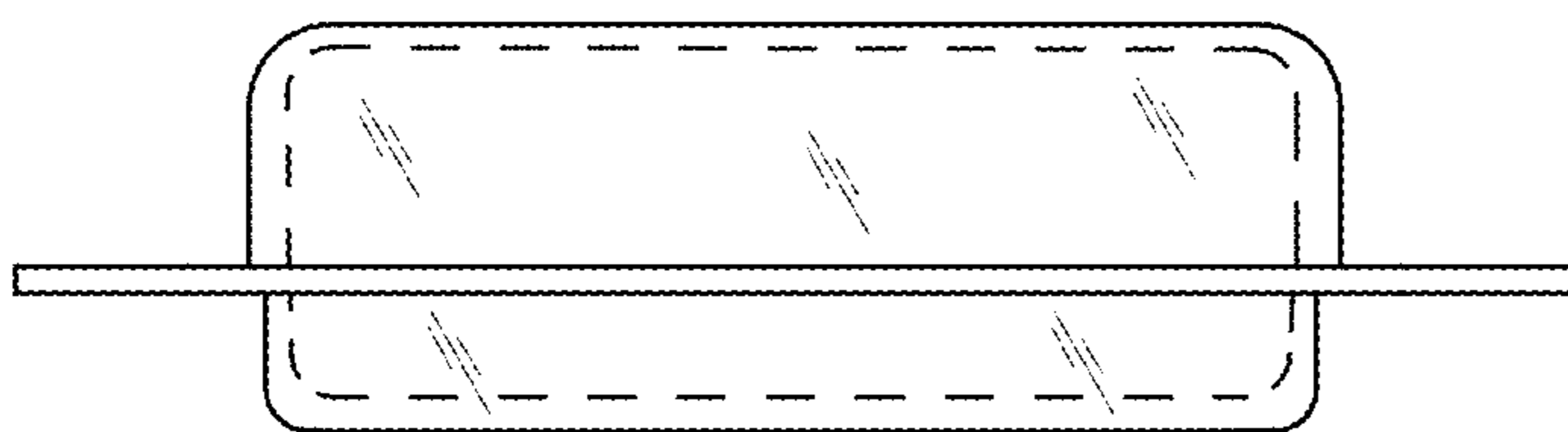


Fig. 5

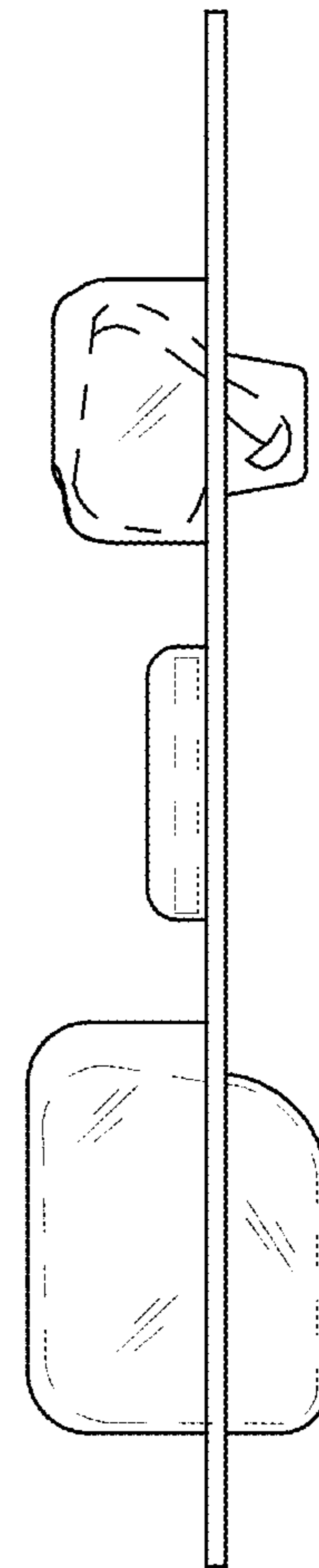


Fig. 6

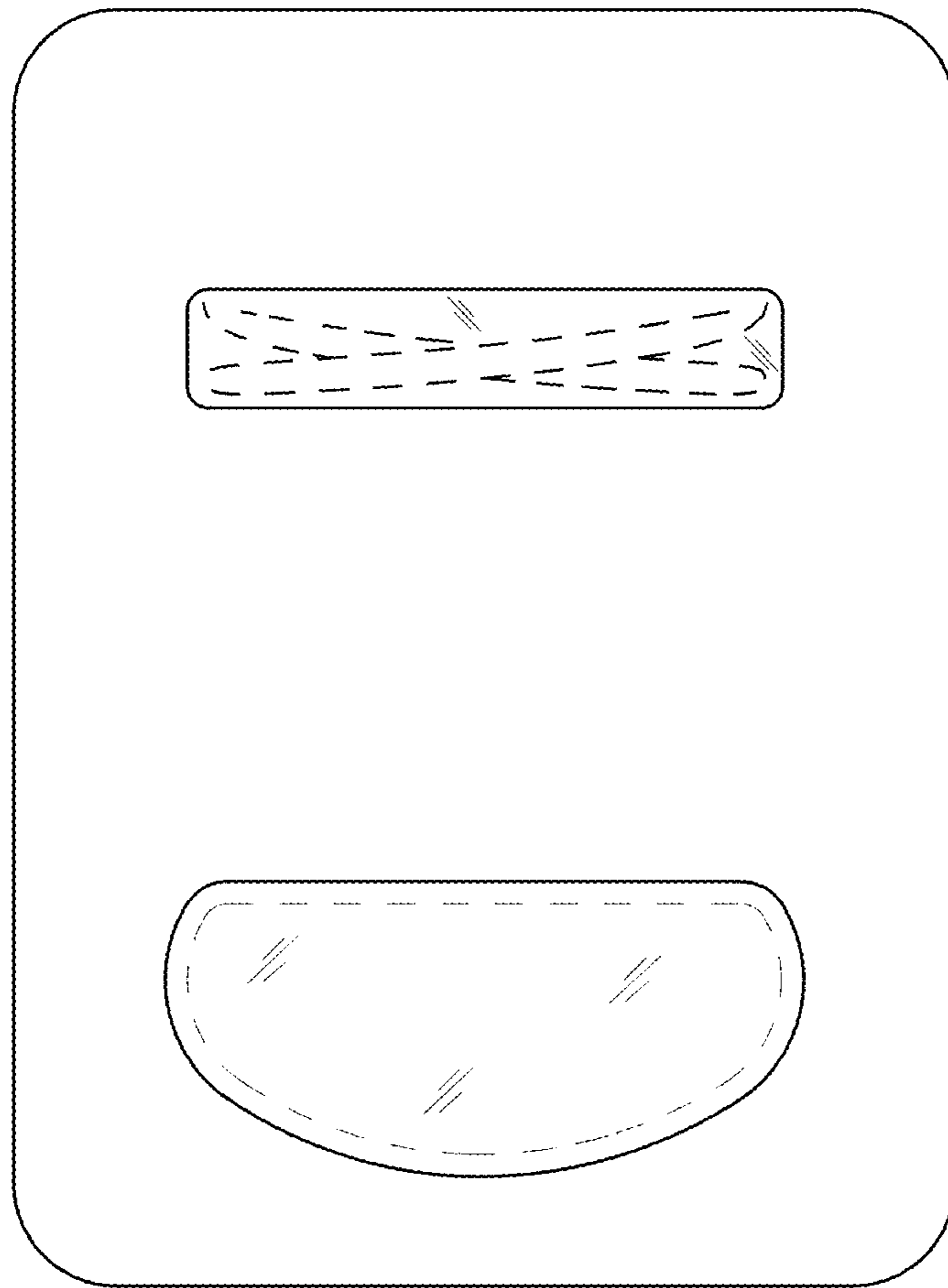


Fig. 7