



US00D821864S

(12) **United States Design Patent**  
**Block et al.**

(10) **Patent No.:** **US D821,864 S**  
(45) **Date of Patent:** **\*\* Jul. 3, 2018**

- (54) **SQUEEZABLE CUP FOR GELATIN-TYPE PRODUCTS**
- (71) Applicant: **Shottys LLC**, Marina del Rey, CA (US)
- (72) Inventors: **Joe Block**, Marina del Rey, CA (US);  
**Austin Rovetti**, Venice, CA (US)
- (73) Assignee: **Leftcoast Innovations, LLC**, Joliet, IL (US)
- (\*\*) Term: **15 Years**
- (21) Appl. No.: **29/598,405**
- (22) Filed: **Mar. 24, 2017**
- (51) **LOC (11) Cl.** ..... **09-03**
- (52) **U.S. Cl.**  
USPC ..... **D9/416**
- (58) **Field of Classification Search**  
USPC ..... D9/414–426, 428, 429, 432, 438, 439,  
D9/449, 503, 500, 501, 504, 517, 518,  
D9/520, 522, 536–543, 545, 546,  
D9/549–552, 564, 571, 574, 575, 696,  
D9/742, 767, 770, 773, 776, 777–783,  
D9/901, 902, 904; D7/400, 584, 672,  
D7/677, 675; 426/77, 80  
CPC ..... B65D 85/8043; B65D 85/812  
See application file for complete search history.

(56) **References Cited**

**U.S. PATENT DOCUMENTS**

D303,215 S *	9/1989	Hoyt	.....	D9/414
D424,768 S *	5/2000	Tsou	.....	D32/53
D440,874 S *	4/2001	Shurtleff	.....	D9/425
D604,157 S *	11/2009	Reiterer	.....	D9/416
D630,504 S *	1/2011	Scott	.....	D9/425
D643,734 S *	8/2011	Perez	.....	D9/520
D651,508 S *	1/2012	Layfield	.....	D9/416
D682,087 S *	5/2013	Bourguignon	.....	D9/417
D684,048 S *	6/2013	Hodge	.....	D9/429
D695,602 S *	12/2013	De Pra	.....	D9/416

D695,603 S *	12/2013	De Pra	.....	D9/416
D696,108 S *	12/2013	De Pra	.....	D9/416
D703,035 S *	4/2014	Zanetti	.....	D9/416
D716,648 S *	11/2014	Tan	.....	D9/416
D720,613 S *	1/2015	Dziaba	.....	D9/424
D728,357 S *	5/2015	Pierce, Jr.	.....	D9/416
D730,174 S *	5/2015	O'Brien	.....	D9/429
D732,949 S *	6/2015	Schroeder	.....	D9/416
D733,555 S *	7/2015	Brady	.....	D9/428

(Continued)

**OTHER PUBLICATIONS**

Tineye, announced Oct. 1, 2014, [online], [site visited Jan. 17, 2018]. Available from Internet, <URL: [https://tineye.com/search/056738e7507f0698b1816c4ee6be81306ab78a4c/?extension\\_ver=chrome-1.2.0.\\*](https://tineye.com/search/056738e7507f0698b1816c4ee6be81306ab78a4c/?extension_ver=chrome-1.2.0.*)>

(Continued)

*Primary Examiner* — Barbara Fox  
*Assistant Examiner* — Mehri F Bajoul

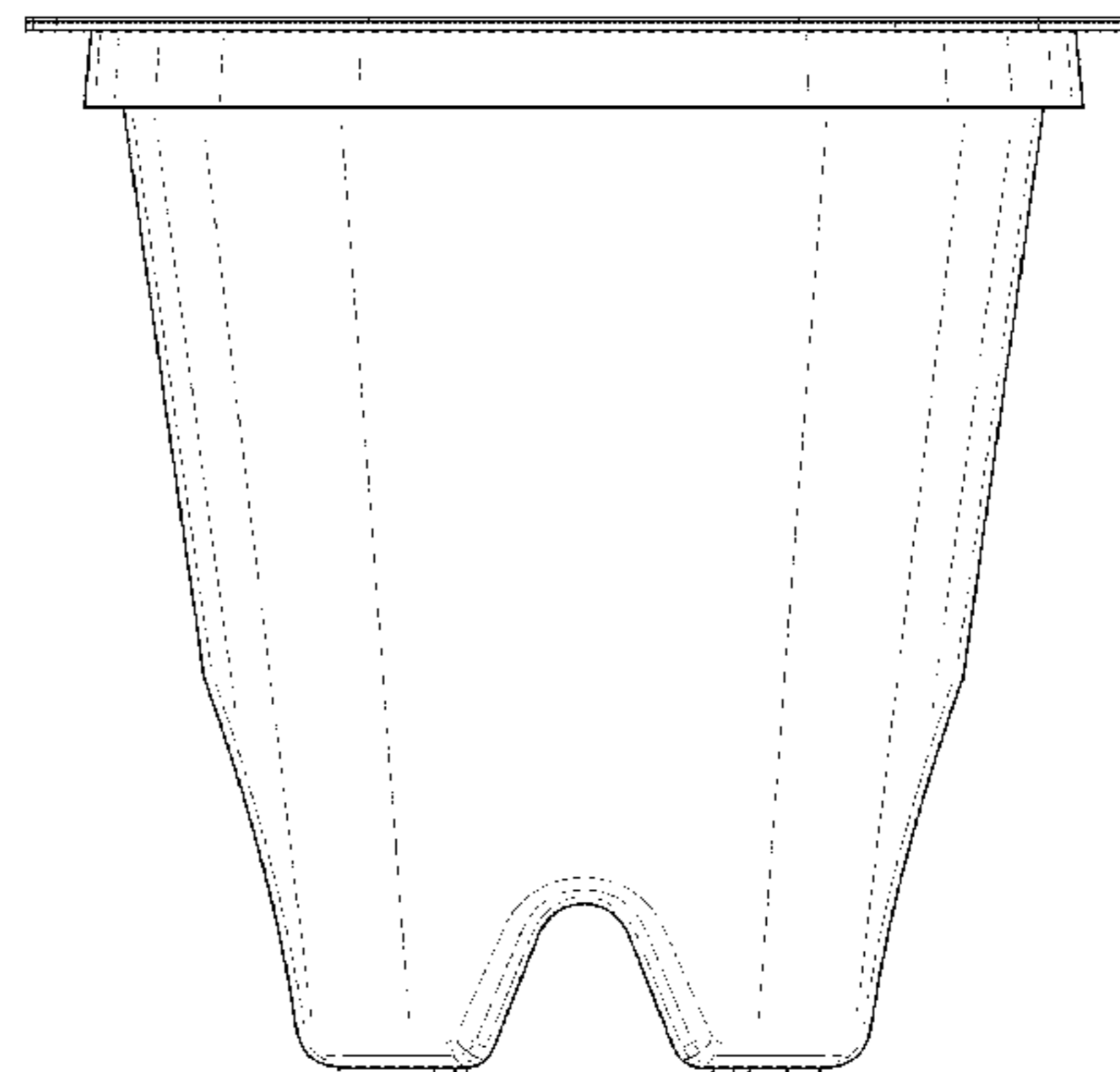
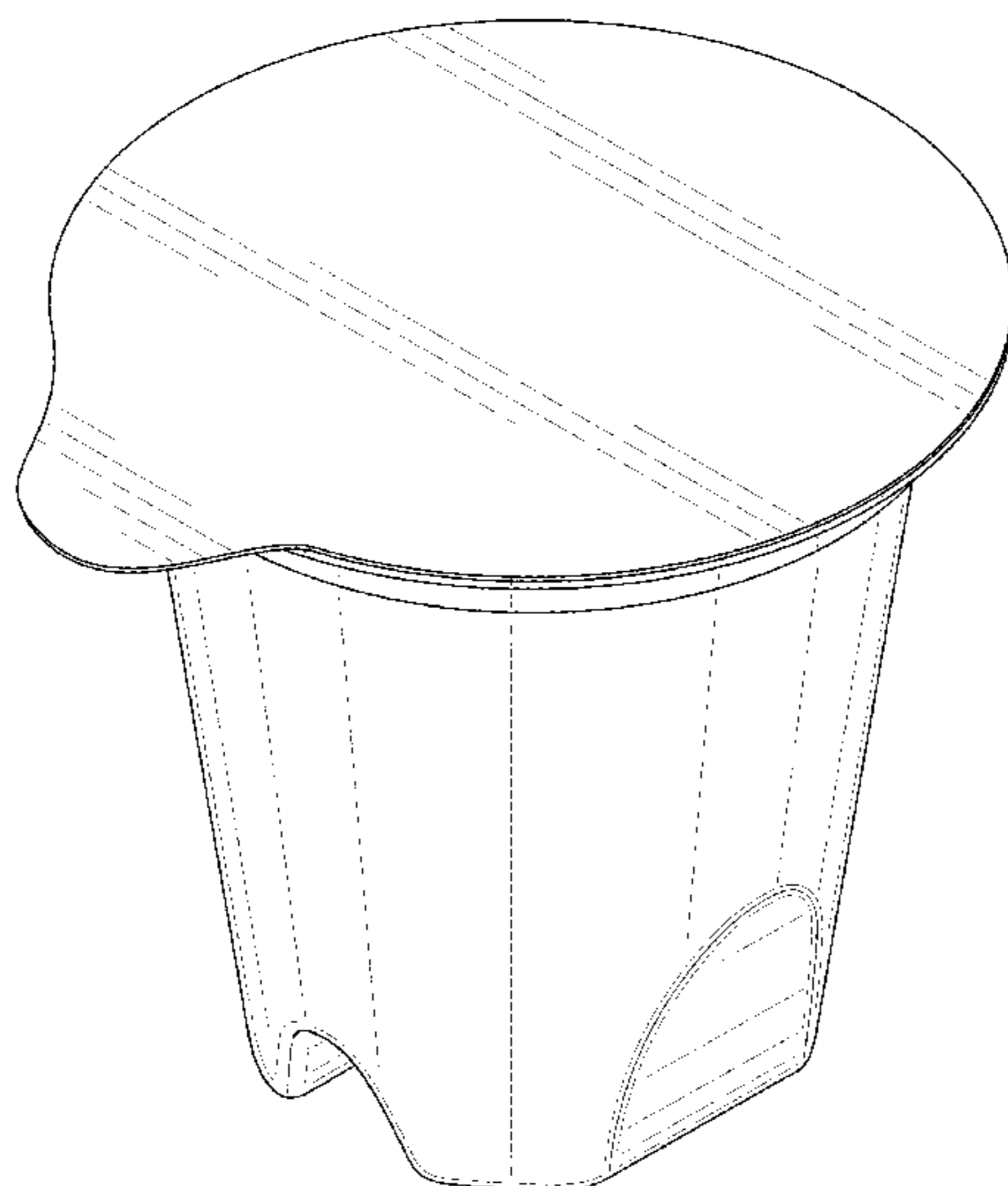
(57) **CLAIM**

The ornamental design for a squeezable cup for gelatin-type products, as shown and described.

**DESCRIPTION**

FIG. 1 is a top-front perspective view of a squeezable cup for gelatin-type products showing the new design; FIG. 2 is a front elevational view thereof; FIG. 3 is a rear elevational view thereof; FIG. 4 is a right elevational view thereof; FIG. 5 is a left elevational view thereof; FIG. 6 is a top plan view thereof; FIG. 7 is a bottom plan view thereof; and, FIG. 8 is an exploded perspective view of the squeezable cup for gelatin-type products of FIG. 1. The broken lines shown in the drawings depict portions of the squeezable cup for gelatin-type products that form no part of the claimed design.

**1 Claim, 8 Drawing Sheets**



(56)

**References Cited**

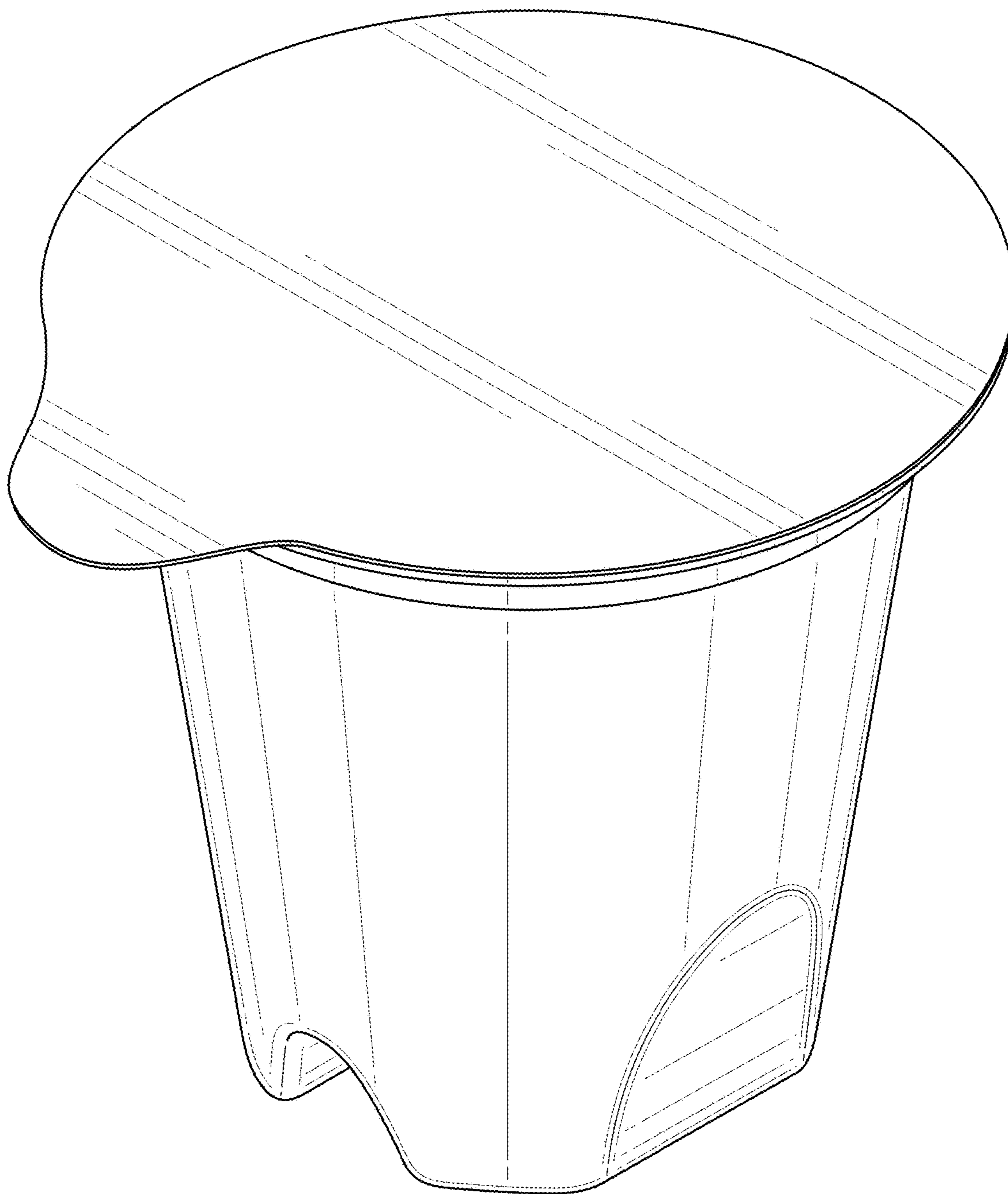
## U.S. PATENT DOCUMENTS

D735,574 S \* 8/2015 Brady ..... D9/428  
D736,614 S \* 8/2015 Rapparini ..... D9/416  
D745,386 S \* 12/2015 Covey ..... D9/416  
D747,187 S \* 1/2016 Cochran ..... D9/416  
D756,771 S 5/2016 Covey et al.  
D764,270 S \* 8/2016 Paton ..... D9/416  
D783,357 S 4/2017 Jetton et al.  
D793,857 S \* 8/2017 Rice ..... D9/425  
2003/0008041 A1 1/2003 Budwig  
2007/0205199 A1 9/2007 Wothers  
2008/0190937 A1\* 8/2008 Cho ..... B65D 51/1677  
220/573.1  
2010/0062134 A1 3/2010 Melvin et al.  
2011/0129588 A1 6/2011 Marini  
2011/0284538 A1 11/2011 Valderrama et al.  
2012/0301590 A1 11/2012 Castillo

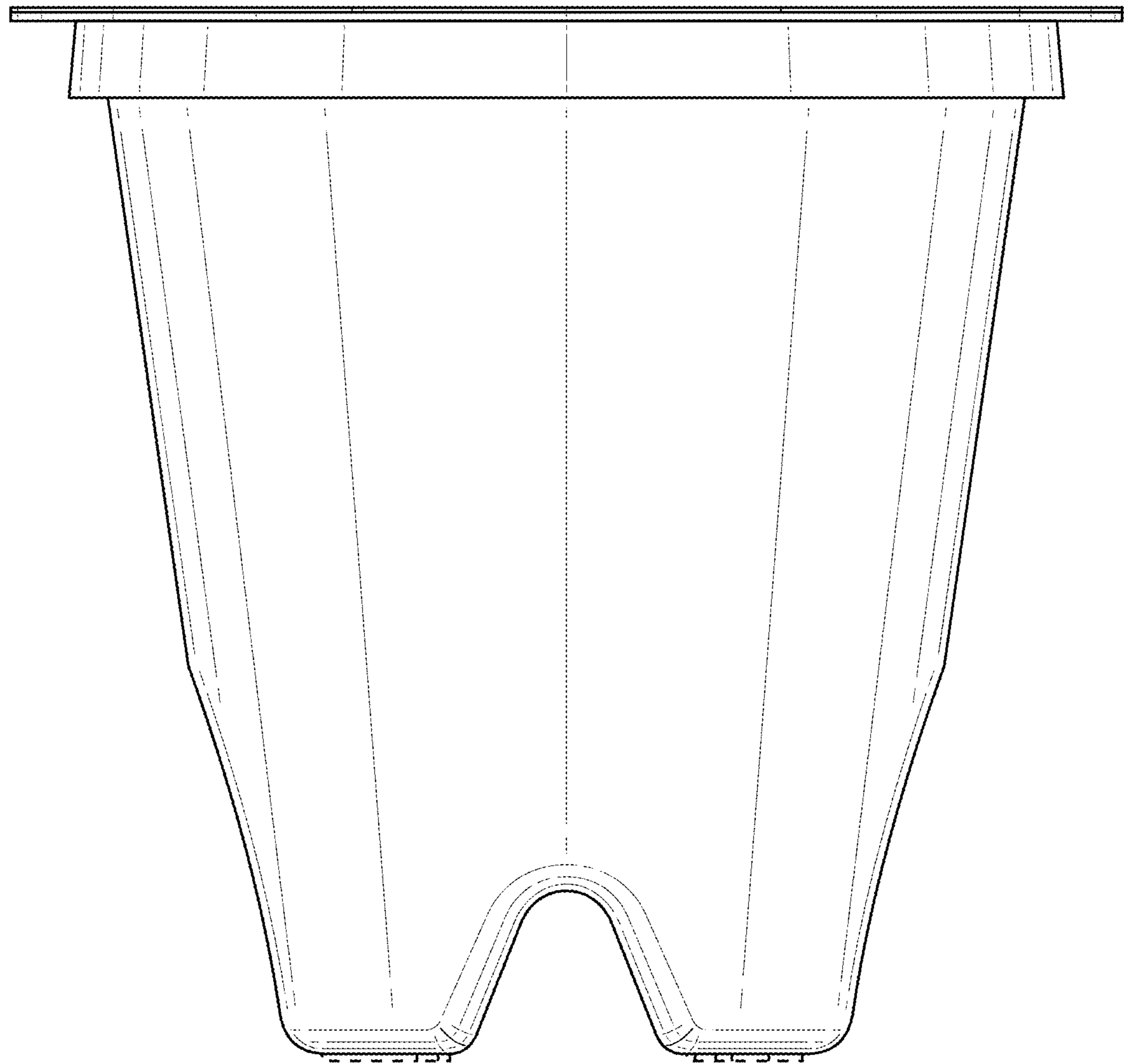
## OTHER PUBLICATIONS

Google, [online], [site visited Jan. 17, 2018]. Available from Internet, <URL: [https://www.google.com/search?hl=en&tbm=isch&q=fresh+line+greek+gourmet+yogurt&spell=1&sa=X&ved=0ahUKEwiDvqalid\\_YAhVGXK0KHdhtDmUQvwUIPCgA&biw=1707&bih=818&dpr=1.25#imgre=kduvekTXfVIGJM.\\*](https://www.google.com/search?hl=en&tbm=isch&q=fresh+line+greek+gourmet+yogurt&spell=1&sa=X&ved=0ahUKEwiDvqalid_YAhVGXK0KHdhtDmUQvwUIPCgA&biw=1707&bih=818&dpr=1.25#imgre=kduvekTXfVIGJM.*)>  
<http://ludlowscocktails.com/>.  
<http://www.jottshots.com/>.  
<http://www.temperancebrands.com/products/liquor-gelz/>.  
<http://www.hotrabbitshots.com/>.  
<http://www.jevomaker.com>.

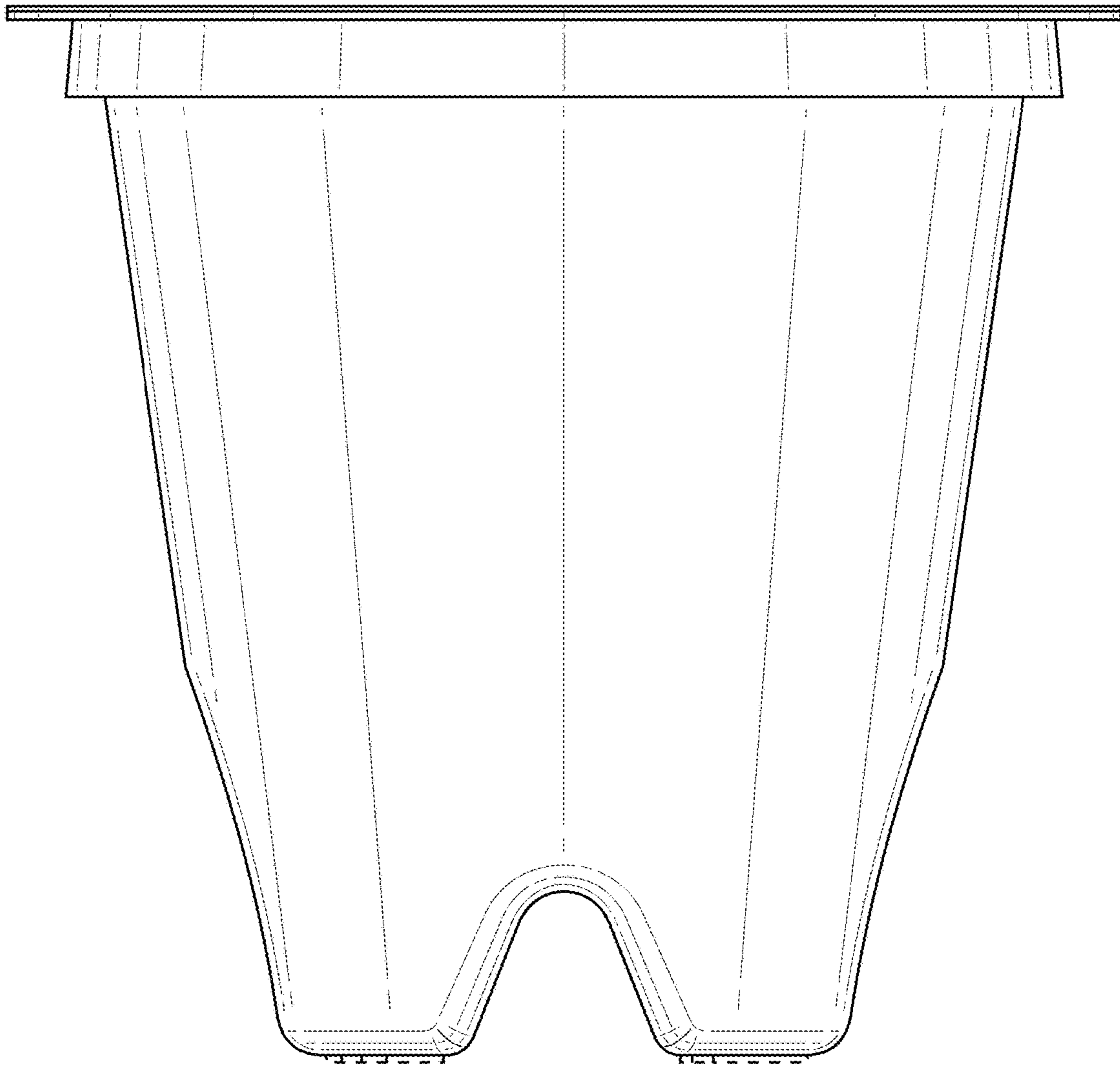
\* cited by examiner



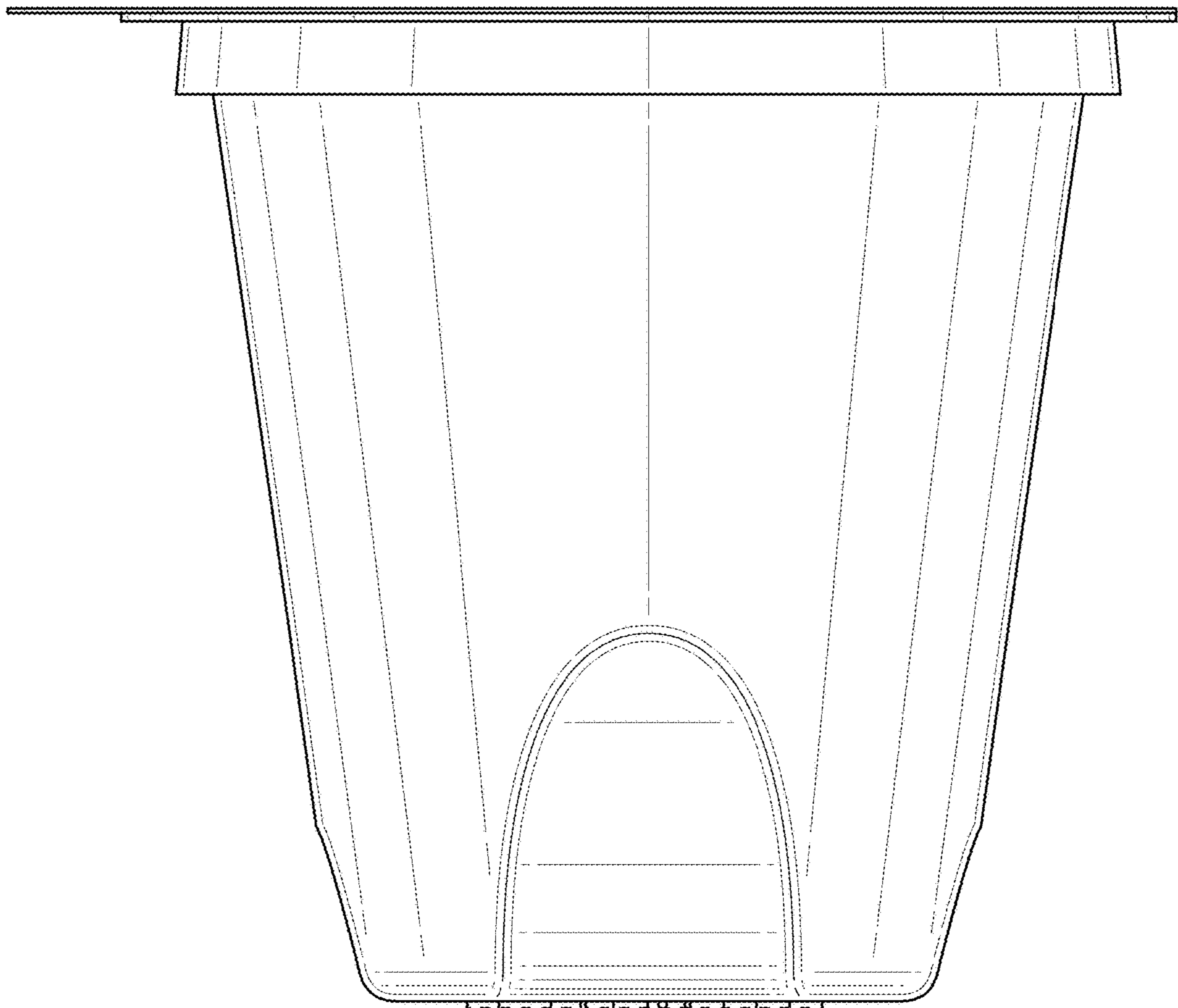
**FIG. 1**



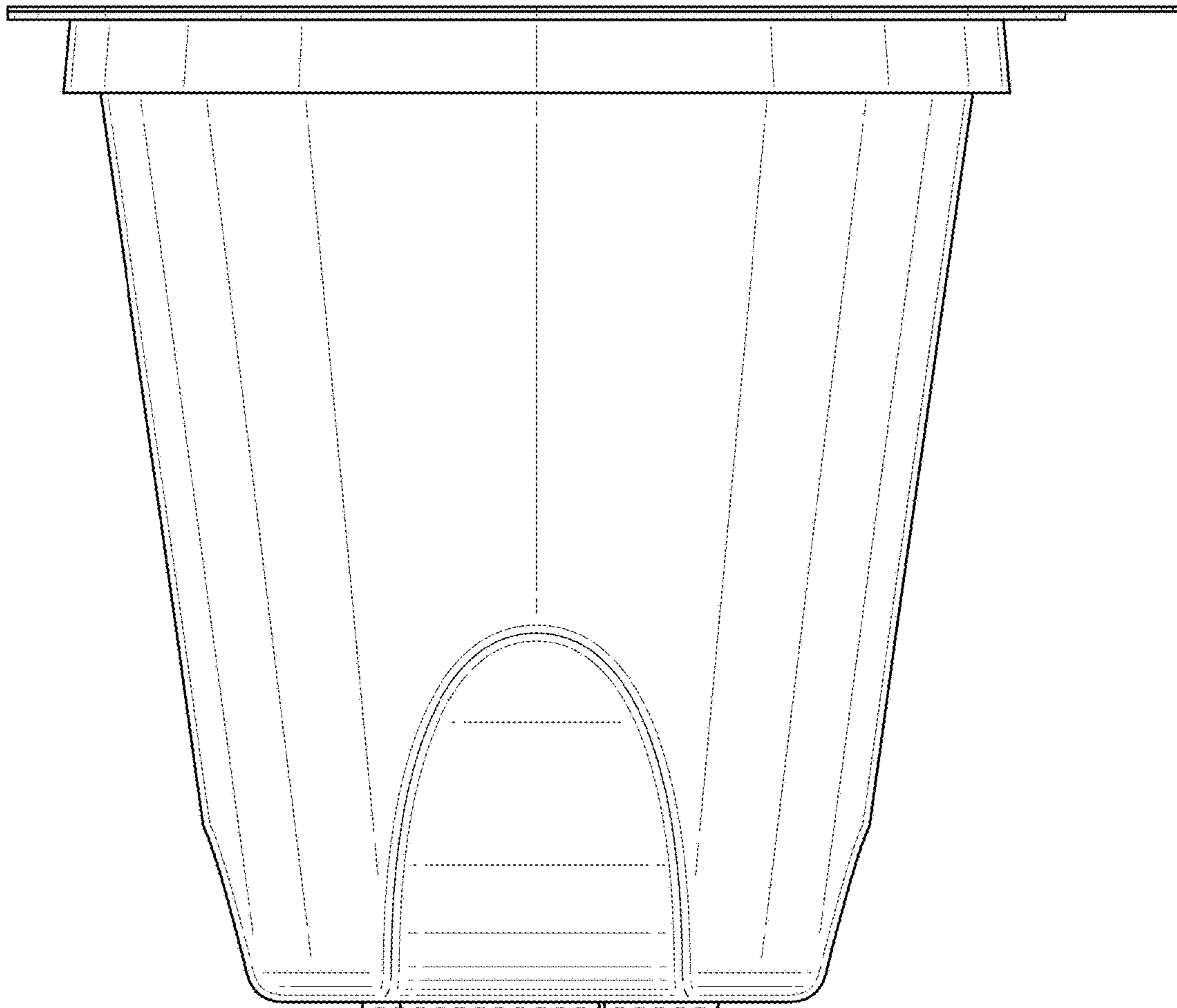
**FIG. 2**



**FIG. 3**



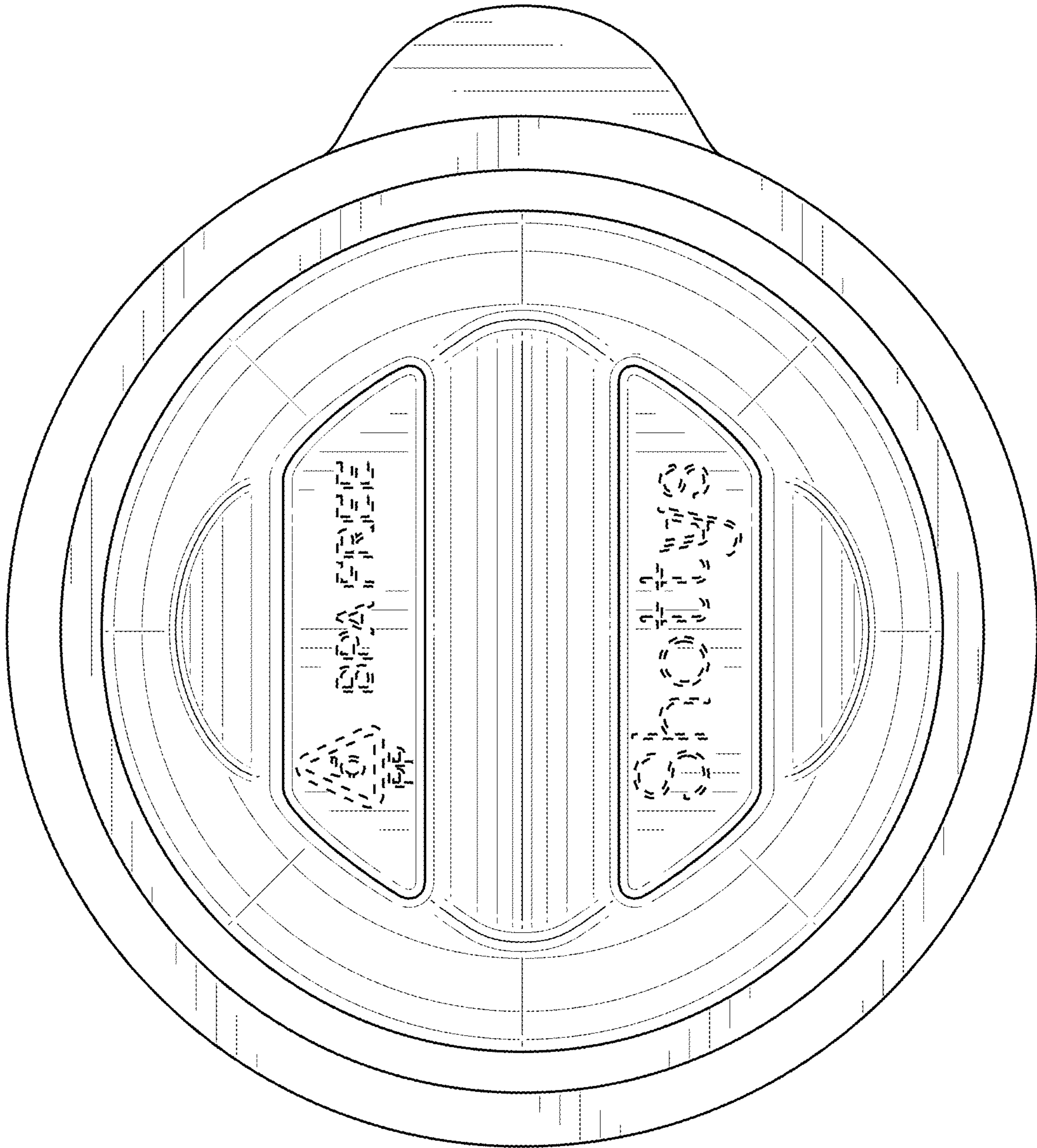
**FIG. 4**



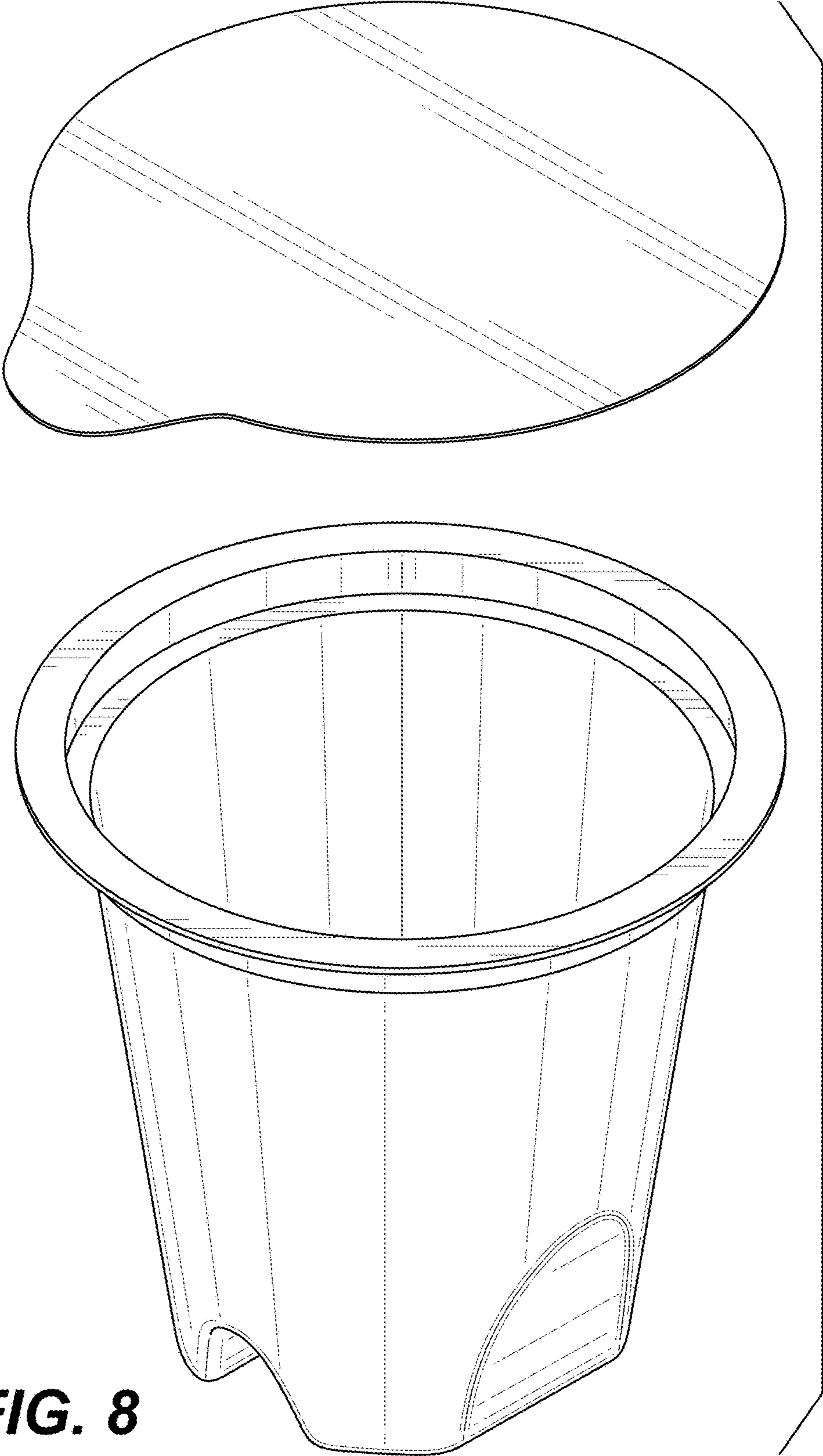
**FIG. 5**







**FIG. 7**



**FIG. 8**