



US00D821863S

(12) **United States Design Patent**
Garcia Blanco

(10) **Patent No.:** **US D821,863 S**

(45) **Date of Patent:** **** Jul. 3, 2018**

(54) **WASHER**

(71) Applicant: **J. JUAN, S.A.**, Gava (Barcelona) (ES)

(72) Inventor: **Joaquin Garcia Blanco**, Castelldefels (ES)

(73) Assignee: **J. JUAN, S.A.**, Gava (Barcelona) (ES)

(**) Term: **15 Years**

(21) Appl. No.: **29/604,846**

(22) Filed: **May 22, 2017**

(51) **LOC (11) Cl.** **08-08**

(52) **U.S. Cl.**
USPC **D8/399**

(58) **Field of Classification Search**
USPC D8/399, 382, 349, 397, 394
CPC F16B 39/24; F16B 31/028; F16B 39/28;
F16B 41/002; E04G 25/065; F01L 9/04
See application file for complete search history.

(56) **References Cited**

U.S. PATENT DOCUMENTS

- 1,342,001 A * 6/1920 Schulte H01M 2/30
429/121
- 1,635,313 A * 7/1927 Dieterich F16B 39/24
277/640
- 3,069,919 A * 12/1962 Schultz, Jr. F16H 55/44
474/169
- 4,122,915 A * 10/1978 Taguchi E04B 1/84
181/210
- 4,202,594 A * 5/1980 Coleman H01R 9/05
333/206
- D269,852 S * 7/1983 Frieberg D8/399
- D276,310 S * 11/1984 Frieberg D8/399
- 5,020,953 A * 6/1991 Wada F16B 39/34
411/247
- D327,111 S * 6/1992 Hemming D22/134
- 5,205,760 A * 4/1993 Agut Sanz H01R 13/74
248/27.1

- D335,441 S * 5/1993 Fraker D8/369
- 5,211,372 A * 5/1993 Smith, Jr. F01L 25/08
251/129.19
- 5,223,067 A * 6/1993 Hamamoto B29C 53/805
156/169
- 5,827,028 A * 10/1998 Swick H01R 4/44
411/160
- 6,056,519 A * 5/2000 Morita F04B 35/045
267/161
- 6,231,063 B1 * 5/2001 Chi B62K 21/06
280/276
- D528,407 S * 9/2006 Schwab D8/399
- D549,091 S * 8/2007 McIntyre D8/399
- D554,491 S * 11/2007 Stenberg D8/349
- 7,367,786 B2 * 5/2008 Kang F04B 35/045
417/417
- D609,552 S * 2/2010 Anderson D8/349
- D644,921 S * 9/2011 Hsu D8/399
- D645,337 S * 9/2011 Hsu D8/399
- D654,348 S * 2/2012 Musselman D8/349
- D654,937 S * 2/2012 Fader D15/138
- D664,170 S * 7/2012 Chung D15/144

(Continued)

Primary Examiner — Cynthia Underwood

(74) *Attorney, Agent, or Firm* — Lucas & Mercanti, LLP

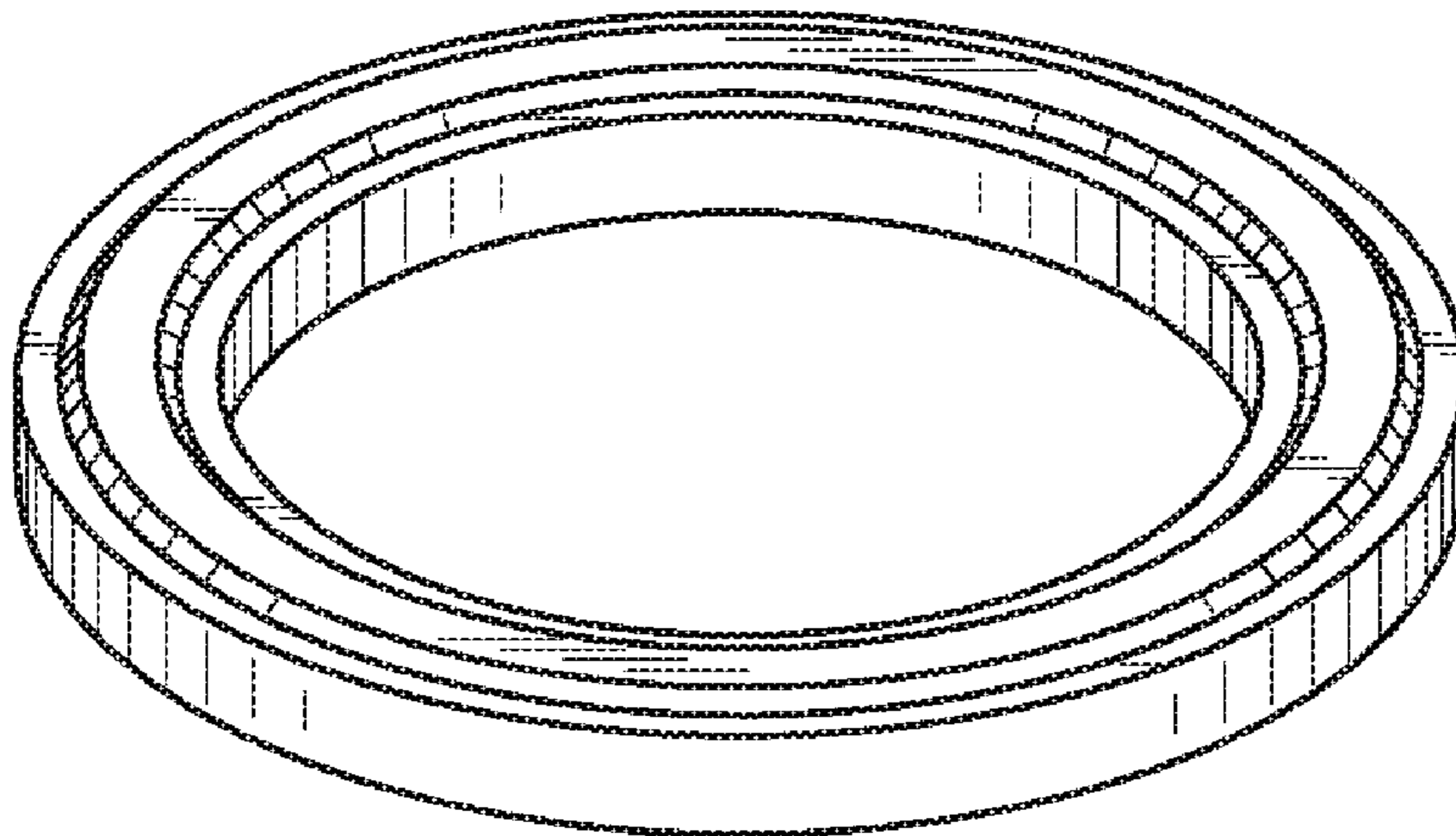
(57) **CLAIM**

The ornamental design for a washer, as shown and described.

DESCRIPTION

FIG. 1 is a perspective view of the washer;
FIG. 2 is a top plan view thereof;
FIG. 3 is a bottom plan view thereof;
FIG. 4 is a front view which is a mirror image of the back view thereof;
FIG. 5 is a side view thereof; and,
FIG. 6 is a cross-sectional view thereof taken from line 6-6 on FIG. 2.

1 Claim, 6 Drawing Sheets



(56)

References Cited

U.S. PATENT DOCUMENTS

D692,747 S * 11/2013 Schwab D8/399
D703,034 S * 4/2014 Stewart D8/399
8,845,202 B2 * 9/2014 Teimel F16C 25/083
384/517
8,960,655 B2 * 2/2015 Wood F16F 1/027
267/159
D744,799 S * 12/2015 Rodenhouse D8/70
D748,973 S * 2/2016 Rodenhouse D8/399
D776,519 S * 1/2017 Almaghlouth D8/399
D783,393 S * 4/2017 Weifenbach D8/399
D805,885 S * 12/2017 Karmarkar D8/382
2002/0089106 A1 * 7/2002 Horng H02K 5/167
267/161
2006/0171794 A1 * 8/2006 Ordonio, Jr. F16B 37/14
411/369
2008/0310932 A1 * 12/2008 McIntyre B29C 70/80
411/150
2014/0008557 A1 * 1/2014 Vandamme F16F 1/027
251/129.15
2016/0102724 A1 * 4/2016 Potter F16F 1/027
267/161

* cited by examiner

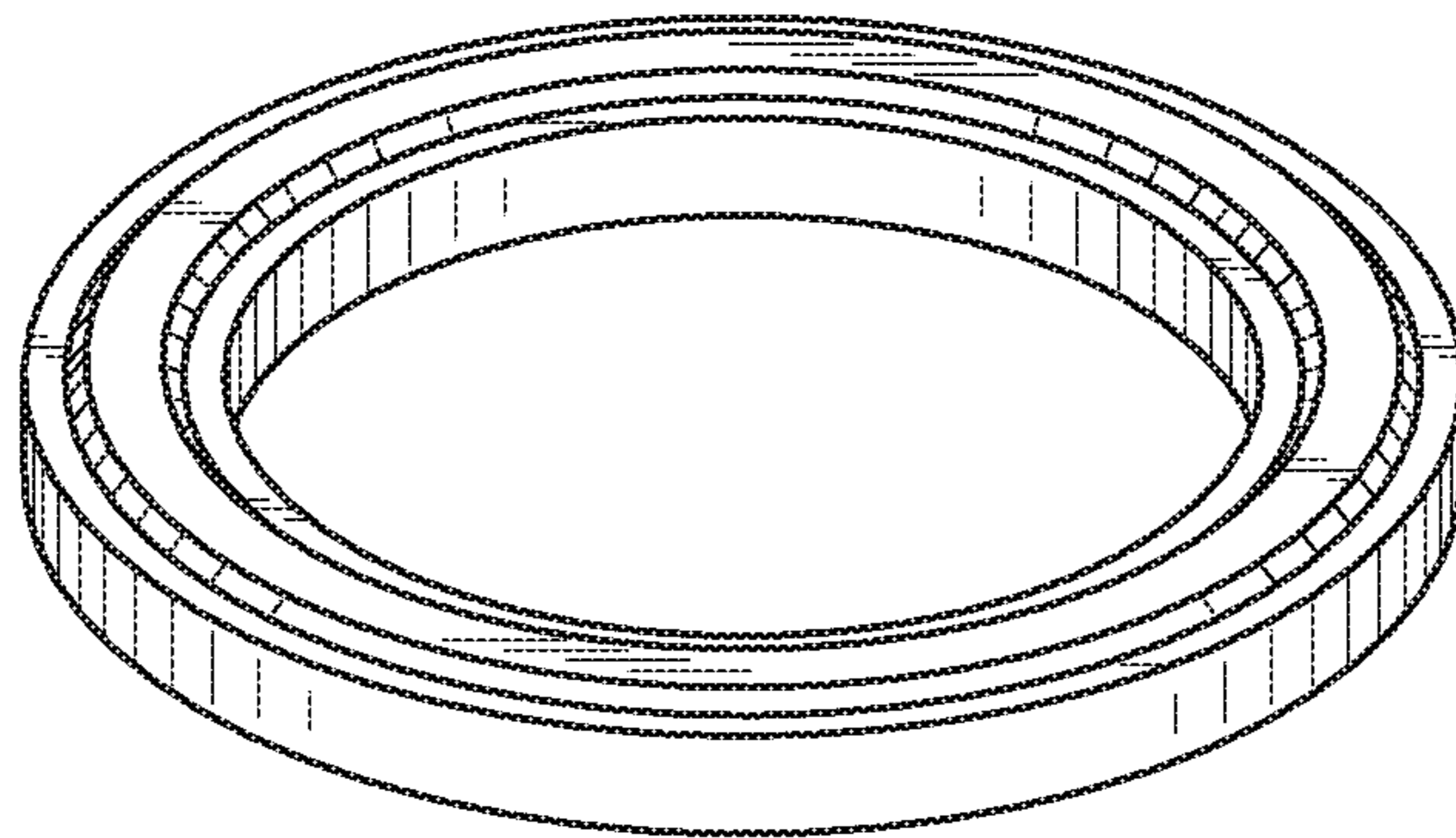


FIG. 1

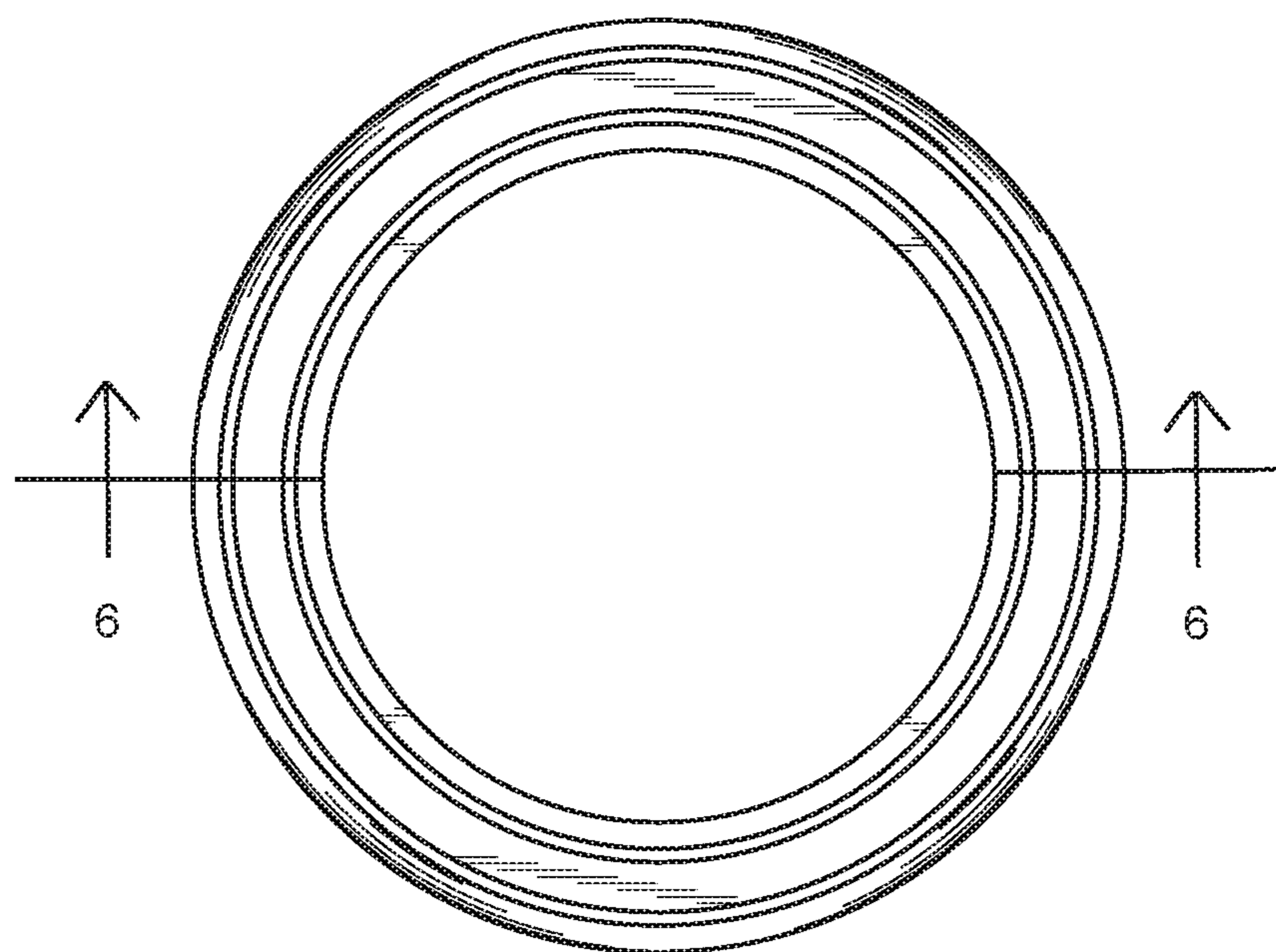


FIG. 2

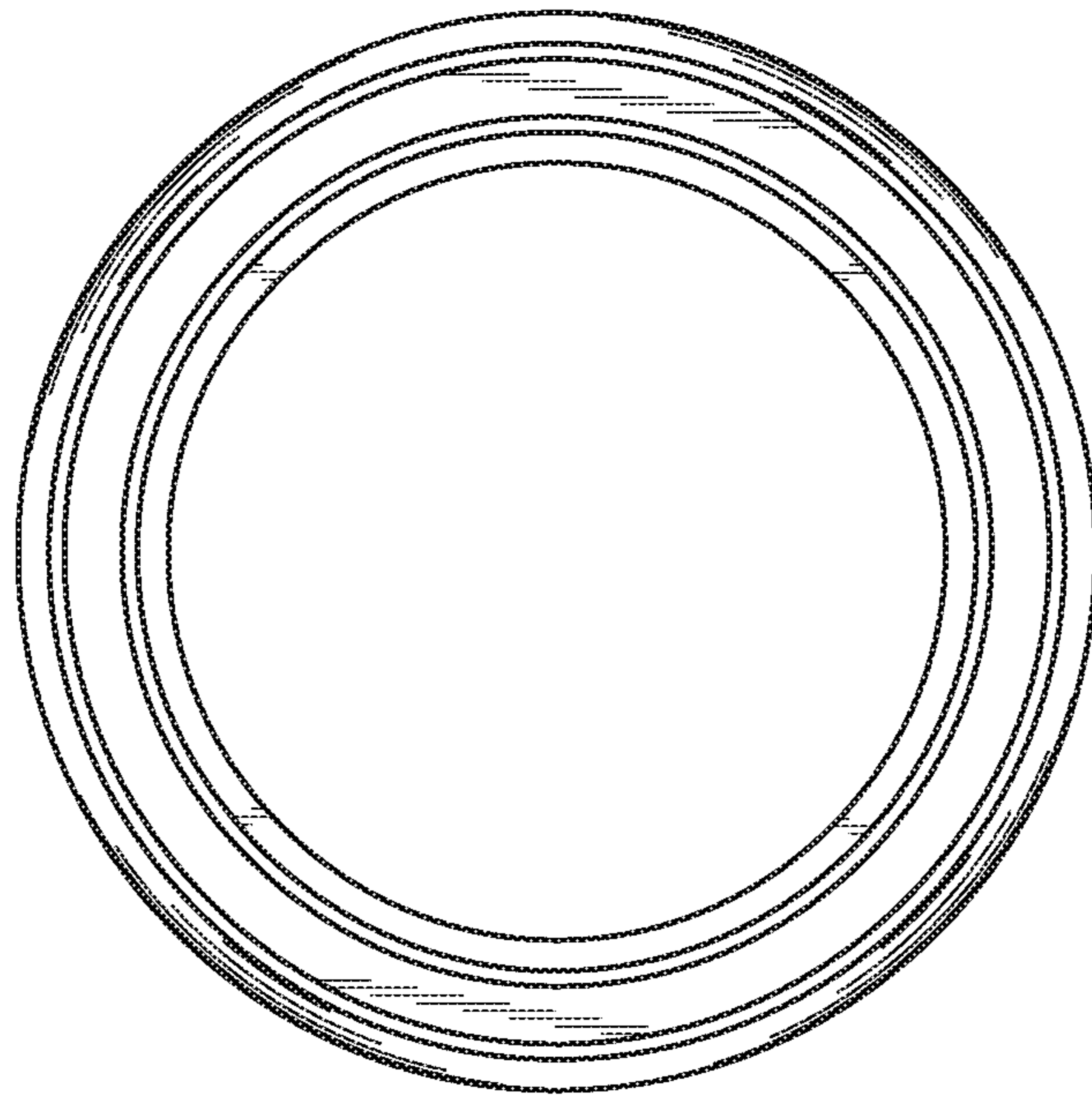


FIG. 3



FIG. 4



FIG. 5

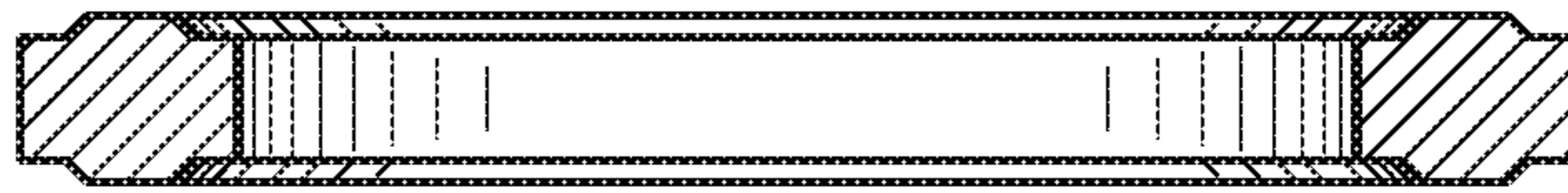


FIG. 6