



US00D821861S

(12) **United States Design Patent**  
**Huang**

(10) **Patent No.:** **US D821,861 S**

(45) **Date of Patent:** **\*\* Jul. 3, 2018**

(54) **PYRAMID HEX LUG NUT COVER**

(71) Applicant: **Nan Huang Huang**, Rancho Palos Verdes, CA (US)

(72) Inventor: **Nan Huang Huang**, Rancho Palos Verdes, CA (US)

(73) Assignee: **Grand General Accessories Manufacturing**, Rancho Dominguez, CA (US)

(\*\*) Term: **15 Years**

(21) Appl. No.: **29/584,248**

(22) Filed: **Nov. 13, 2016**

(51) **LOC (11) Cl.** ..... **08-08**

(52) **U.S. Cl.**  
USPC ..... **D8/397**

(58) **Field of Classification Search**  
USPC ..... D8/397, 394, 382, 349  
CPC ... E04G 25/065; F16B 41/002; F16B 23/0061  
See application file for complete search history.

(56) **References Cited**

**U.S. PATENT DOCUMENTS**

D243,154 S *	1/1977	Dieme	.....	D8/387
D268,565 S *	4/1983	Mortus	.....	D8/397
4,406,140 A *	9/1983	Wolter	.....	F16B 41/005
				70/231
4,420,848 A *	12/1983	Becker	.....	B23K 11/002
				470/22
D298,737 S *	11/1988	Wallace	.....	D8/387
4,850,776 A *	7/1989	Toth	.....	B23K 11/14
				411/376
5,302,069 A *	4/1994	Toth	.....	B60B 7/00
				411/373
D431,017 S *	9/2000	Moore	.....	D12/213
D484,785 S *	1/2004	Plumer	.....	D8/397
D488,715 S *	4/2004	Plumer	.....	D8/397

D510,259 S *	10/2005	Yoshimoto	.....	D8/397
D521,858 S *	5/2006	Roy	.....	D8/397
D583,656 S *	12/2008	Bush	.....	D8/397
D590,243 S *	4/2009	Bush	.....	D8/397
D613,594 S *	4/2010	Huang	.....	D12/213
D613,595 S *	4/2010	Huang	.....	D12/213
D625,990 S *	10/2010	Lin	.....	D12/213
8,016,535 B1 *	9/2011	Roberts	.....	F16B 41/005
				411/373
D675,561 S *	2/2013	Chou	.....	D12/607
D746,129 S *	12/2015	Kishida	.....	D8/399
D780,562 S *	3/2017	Baiz	.....	D8/387
D781,691 S *	3/2017	Baiz	.....	D8/387
D786,056 S *	5/2017	Baiz	.....	D8/387
D786,057 S *	5/2017	Baiz	.....	D8/397
D787,924 S *	5/2017	Baiz	.....	D8/387
D796,310 S *	9/2017	Baiz	.....	D8/397
D799,954 S *	10/2017	Baiz	.....	D8/397
D801,166 S *	10/2017	Baiz	.....	D8/397

(Continued)

*Primary Examiner* — Cynthia R Underwood

(74) *Attorney, Agent, or Firm* — Thomas I. Rozsa

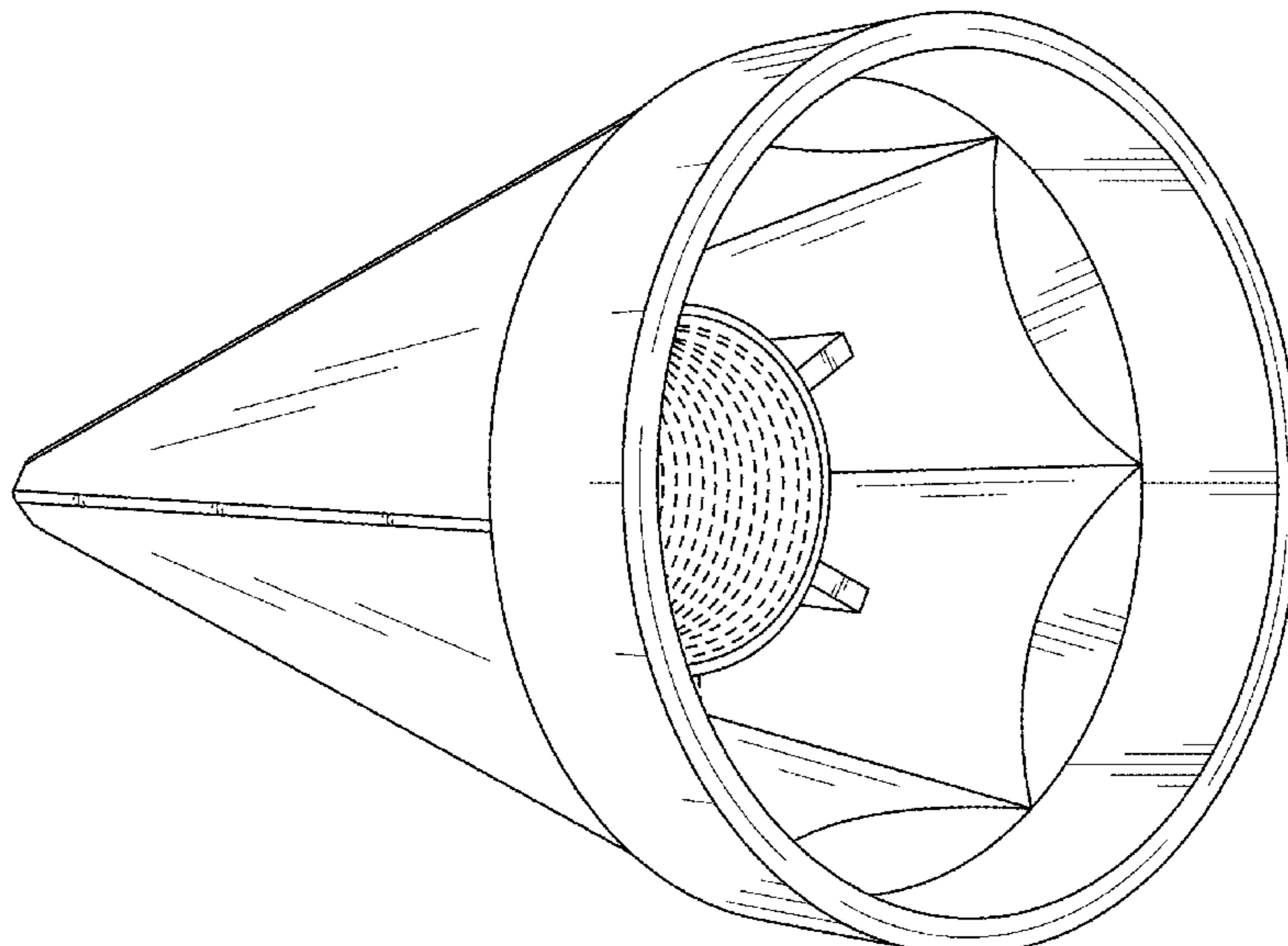
(57) **CLAIM**

The ornamental design for a pyramid hex lug nut cover, as shown and described.

**DESCRIPTION**

FIG. 1 is a right side perspective view of the pyramid hex lug nut cover, showing my new design;  
FIG. 2 is a left side perspective view thereof;  
FIG. 3 is a front view thereof;  
FIG. 4 is a rear view thereof;  
FIG. 5 is a right side view thereof;  
FIG. 6 is a left side view thereof;  
FIG. 7 is a top view thereof; and,  
FIG. 8 is a bottom view thereof.  
The broken lines represent portions of the structure that forms no part of the claim.

**1 Claim, 8 Drawing Sheets**



(56)

**References Cited**

U.S. PATENT DOCUMENTS

D801,167 S *	10/2017	Baiz .....	D8/397
D809,376 S *	2/2018	Huang .....	D8/397
D809,910 S *	2/2018	Vargas .....	D8/397
2002/0098059 A1 *	7/2002	Schmidt .....	F16B 37/14 411/399
2013/0071204 A1 *	3/2013	Hunter .....	F16B 37/14 411/373

\* cited by examiner

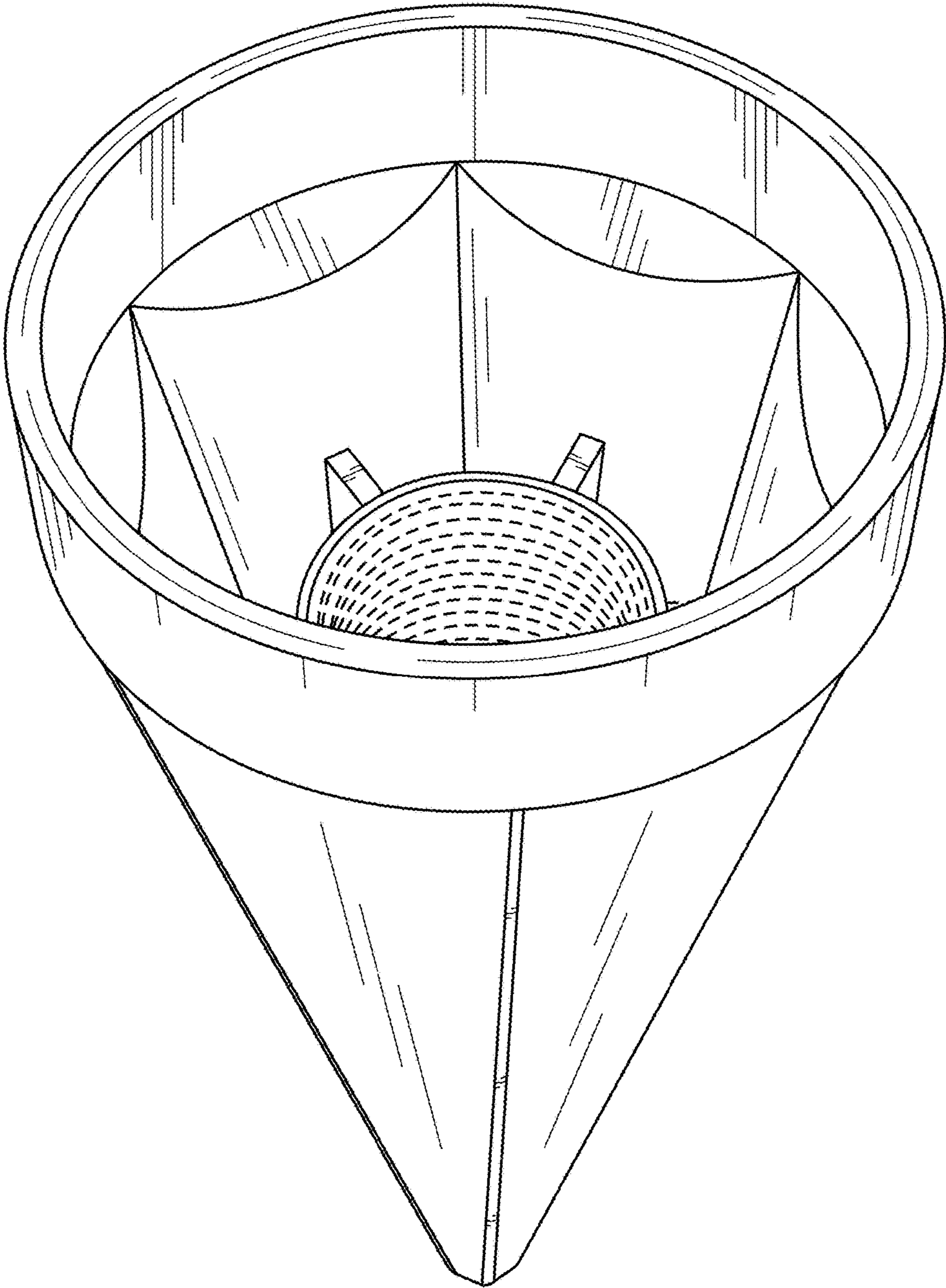


FIG. 1

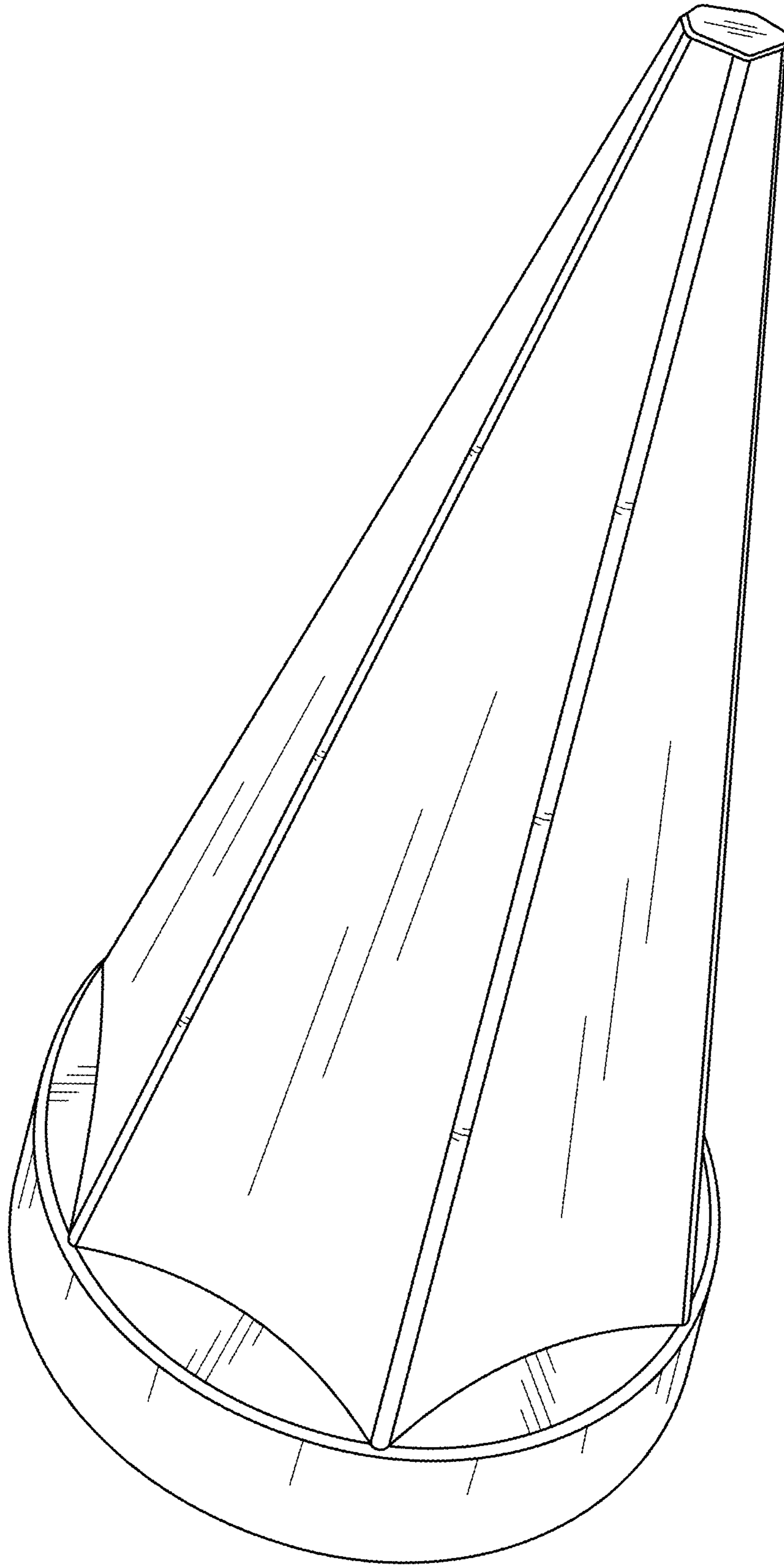


FIG. 2

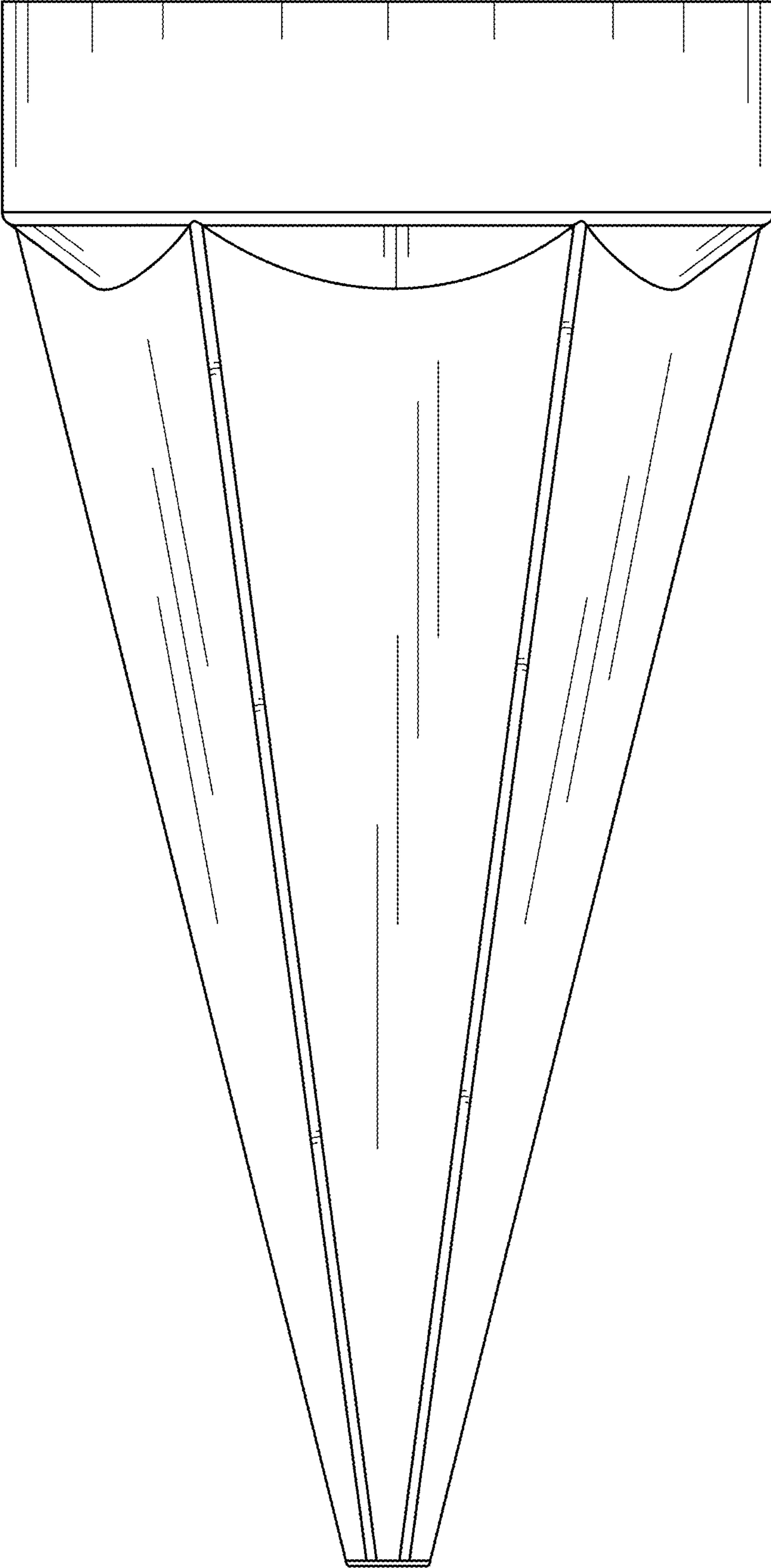


FIG. 3



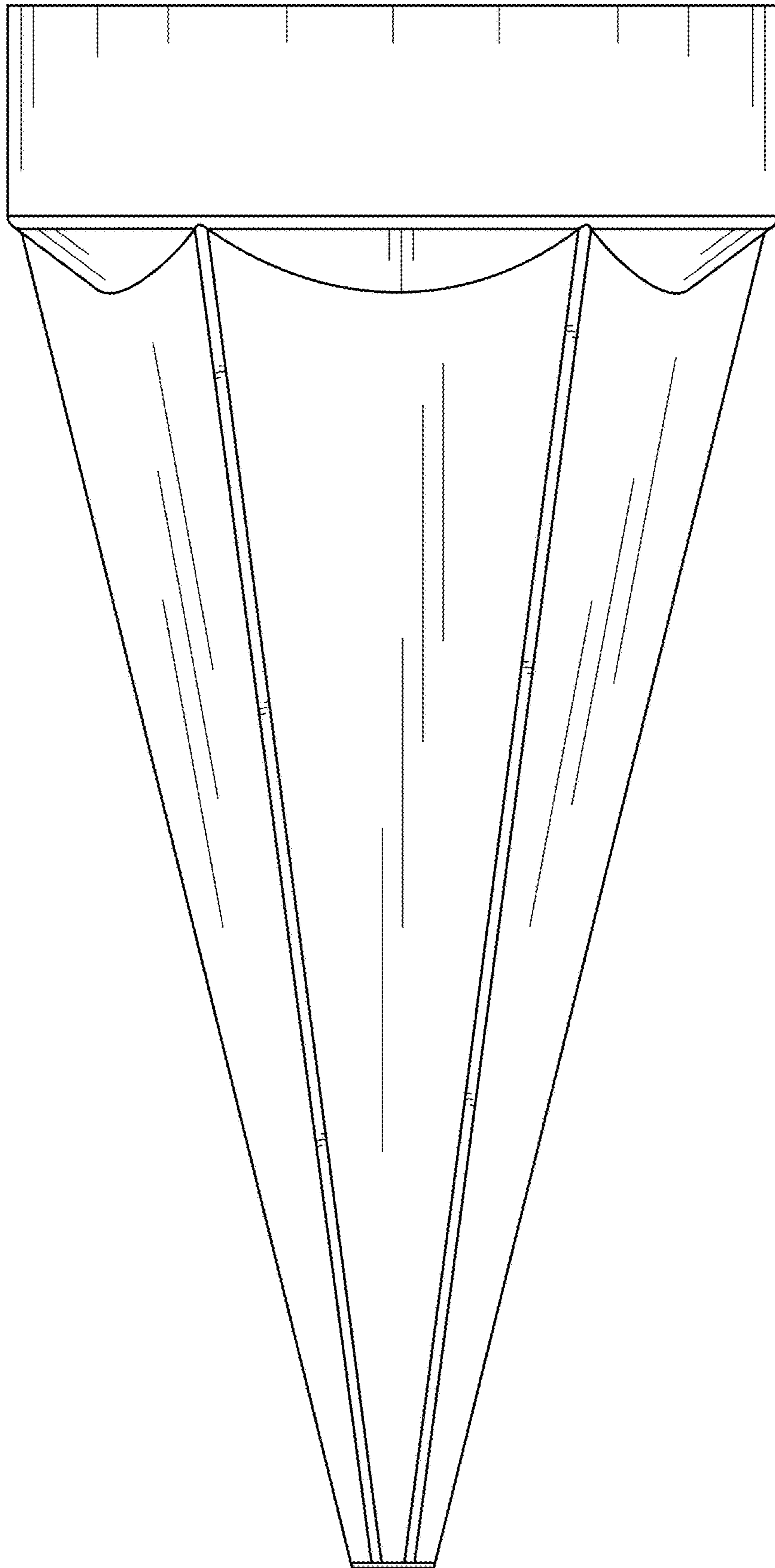


FIG. 4

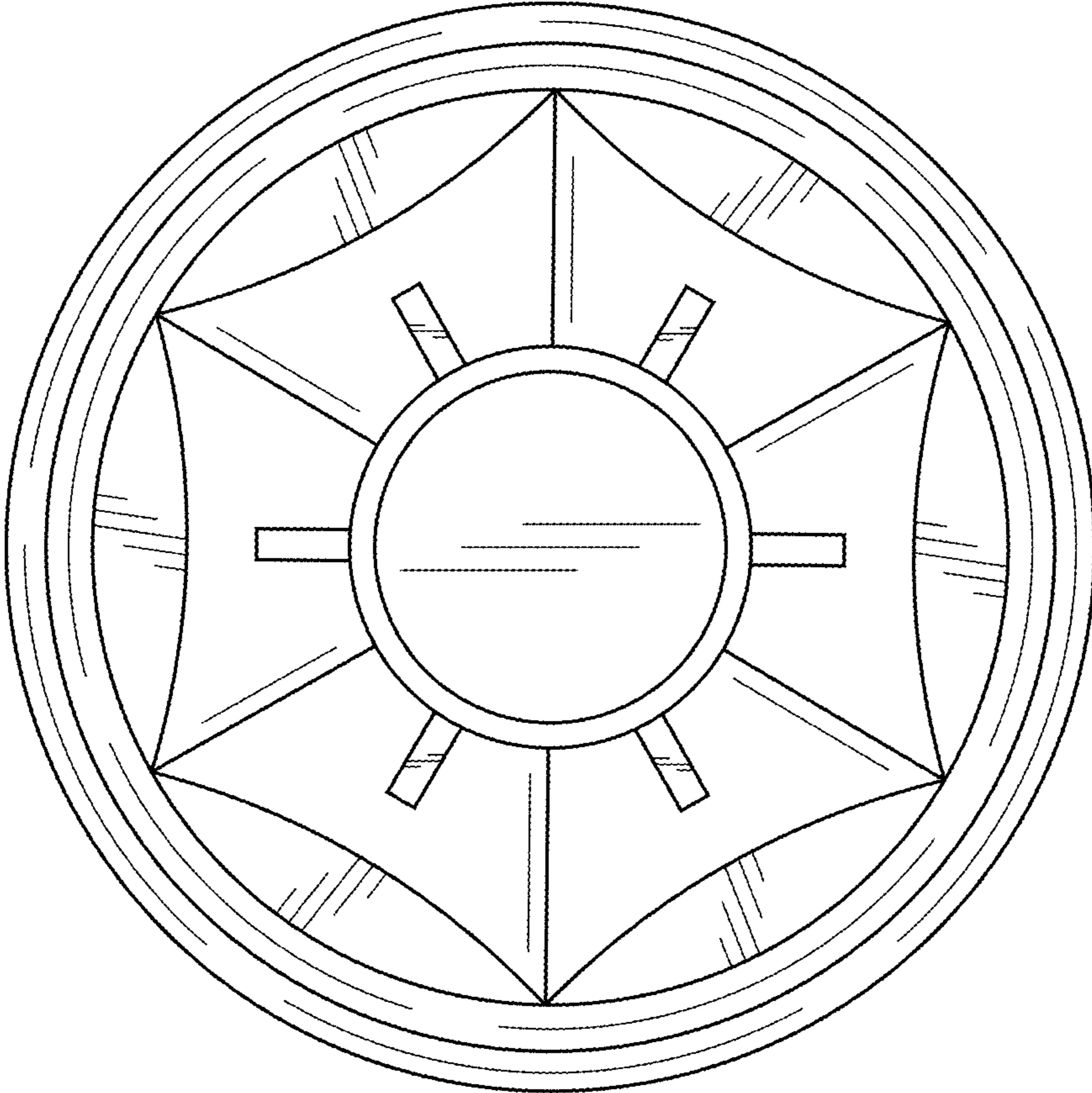


FIG. 5

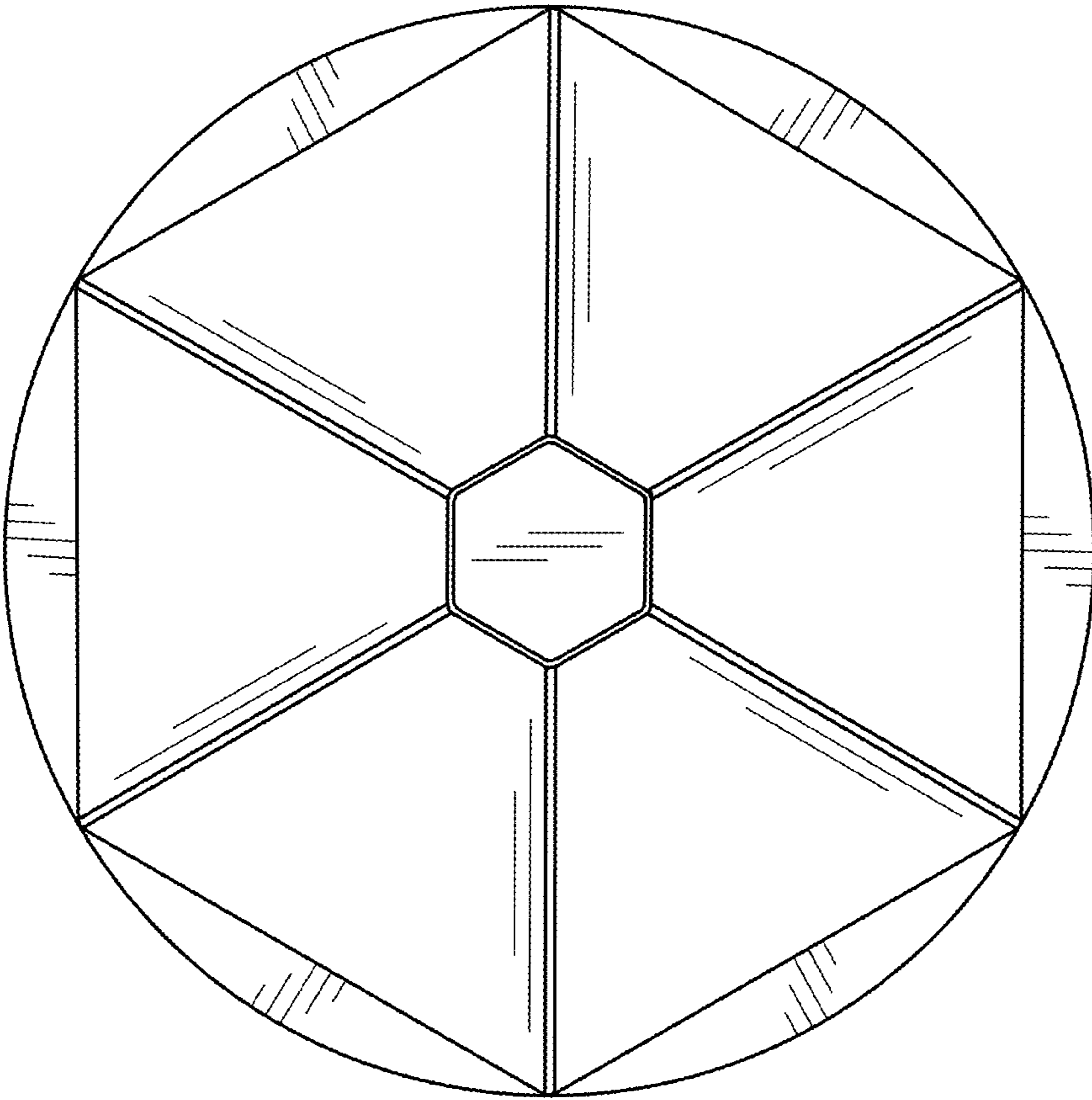


FIG. 6



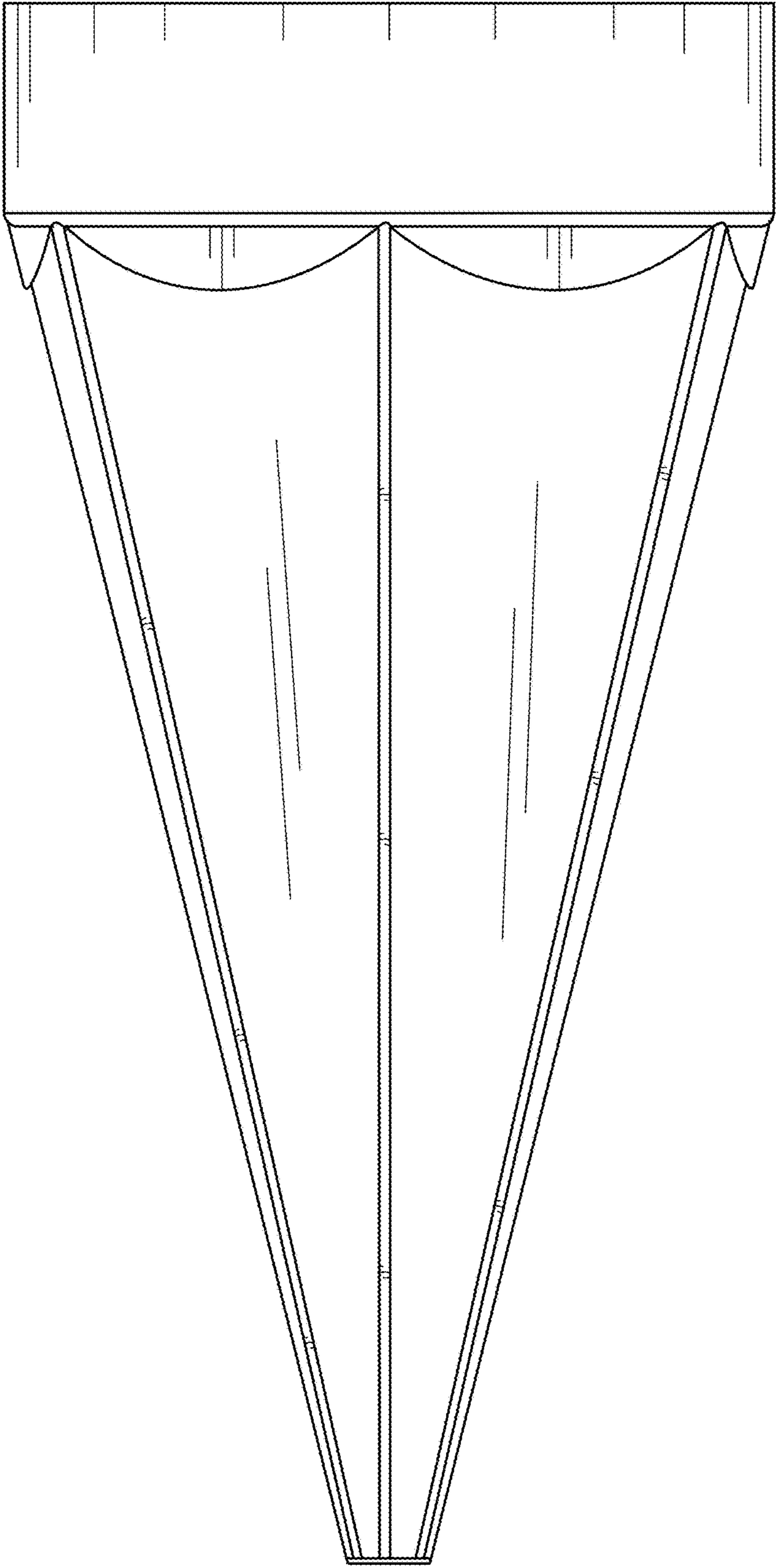


FIG. 7

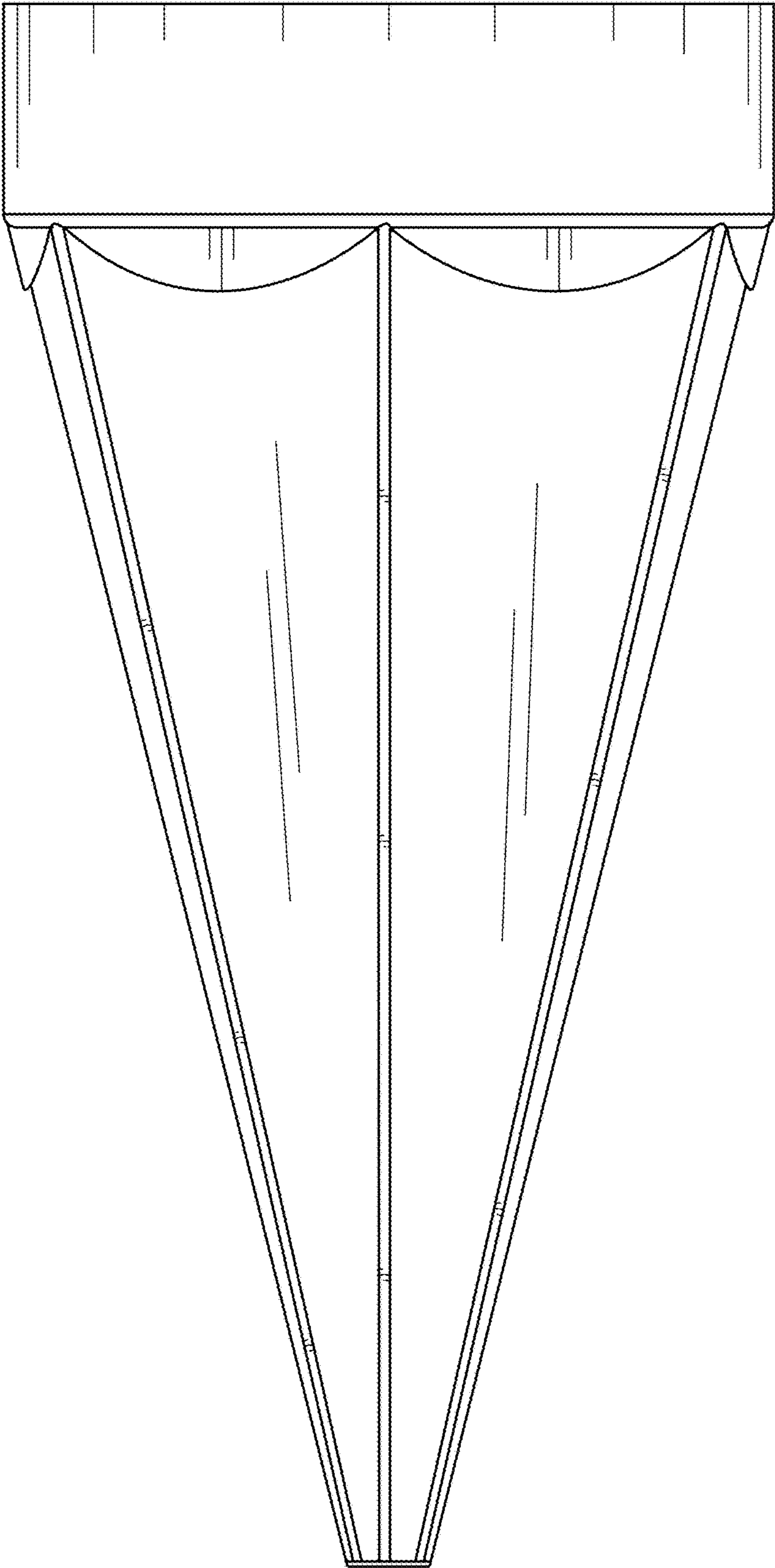


FIG. 8