



US00D821860S

(12) **United States Design Patent**
O’Kusky

(10) **Patent No.:** **US D821,860 S**

(45) **Date of Patent:** **** Jul. 3, 2018**

- (54) **CLIP**
- (71) Applicant: **Joyce O’Kusky**, Witherbee, NY (US)
- (72) Inventor: **Joyce O’Kusky**, Witherbee, NY (US)
- (**) Term: **15 Years**
- (21) Appl. No.: **29/643,075**
- (22) Filed: **Apr. 4, 2018**
- (51) **LOC (11) Cl.** **08-08**
- (52) **U.S. Cl.**
USPC **D8/394**; D20/26; D20/43
- (58) **Field of Classification Search**
USPC D5/66; D8/394, 395; D11/68, 139;
D19/65, 86; D20/26, 29, 43
CPC ... A44C 3/001; G09F 3/16; B42F 1/02; B42F
1/04; B42F 1/06; B42F 1/10
See application file for complete search history.

- 4,934,304 A * 6/1990 Rosen B42D 9/005
116/234
- D309,640 S * 7/1990 Knudsen D21/496
- D382,219 S * 8/1997 Renfrew D10/109.1
- D399,986 S * 10/1998 Schultheis D2/624
- 6,085,393 A * 7/2000 Tsui A44B 99/00
24/3.12
- D429,632 S * 8/2000 Del Bon D9/658
- 6,804,866 B2 10/2004 Lemke et al.
- D525,117 S * 7/2006 Mariano D8/395
- D529,784 S * 10/2006 Tellinghuisen D8/307
- D616,995 S * 6/2010 Kim D24/189

(Continued)

FOREIGN PATENT DOCUMENTS

EP 1034716 B1 5/2003

OTHER PUBLICATIONS

Nameplate. Patent translation [online]. Google Patents [retrieved on Dec. 14, 2017]. Retrieved from the Internet: <URL: <https://patents.google.com/patent/EP1034716B1/en?q=alligator+badge+clip>>.

Primary Examiner — Elizabeth Albert
(74) *Attorney, Agent, or Firm* — Aaron R. Cramer;
Cramer Patent & Design, PLLC

(56) **References Cited**
U.S. PATENT DOCUMENTS

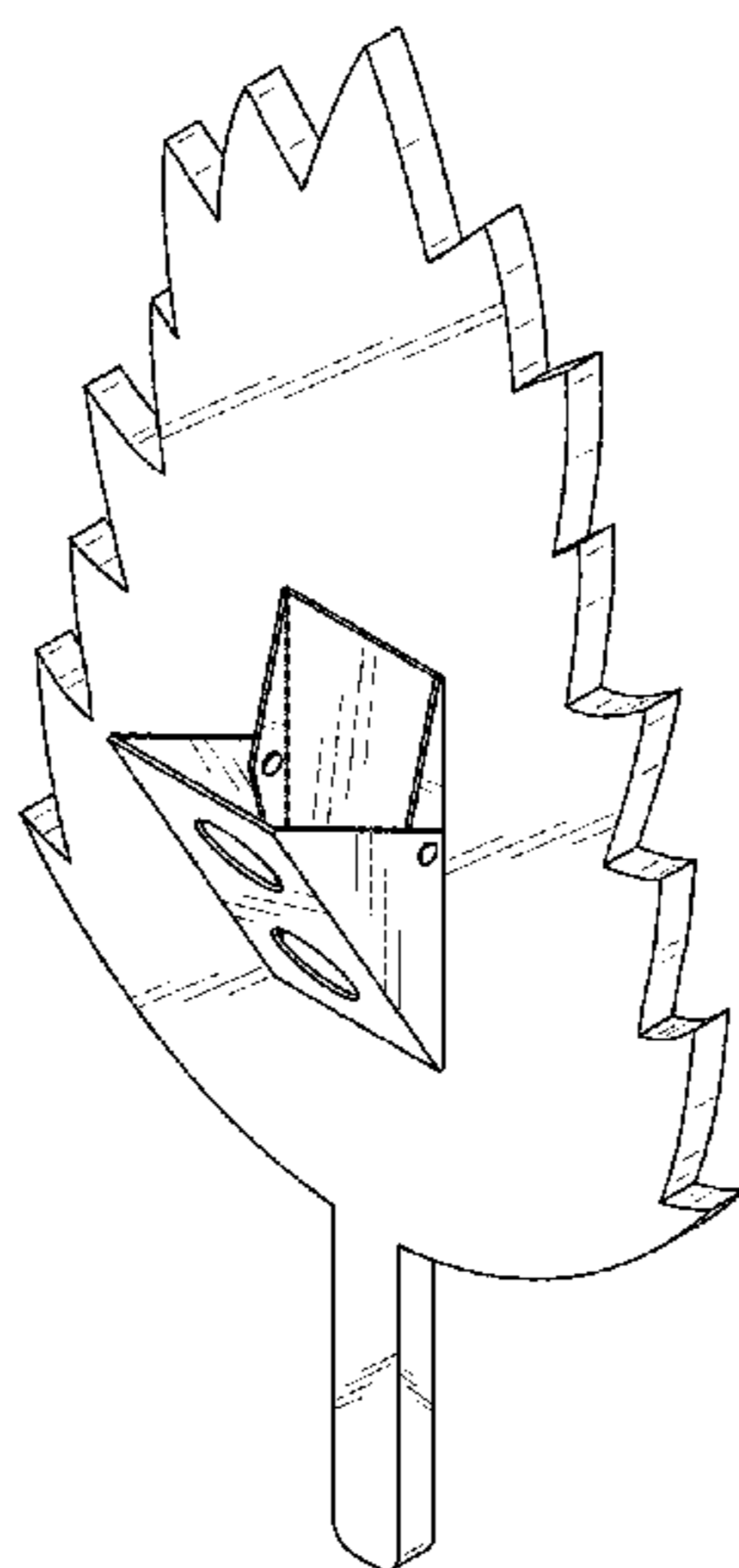
- D65,410 S * 8/1924 Kaplan D11/117
- D115,033 S * 5/1939 Erskine D11/52
- D120,683 S * 5/1940 Birnbaum D11/68
- D142,900 S * 11/1945 Morrow D11/49
- D147,281 S * 8/1947 Katz D11/68
- 2,503,359 A * 4/1950 Smith A47G 33/06
211/196
- D173,207 S * 10/1954 Katz D11/67
- D177,515 S * 4/1956 Katz D11/68
- 3,054,201 A * 9/1962 Burns G09F 3/16
40/1.5
- 3,604,069 A * 9/1971 Jensen A44B 99/00
24/115 G
- D267,240 S * 12/1982 Ditto D11/117
- D277,534 S * 2/1985 Warmath D32/61
- D289,500 S * 4/1987 Sally D10/9
- D289,501 S * 4/1987 Sandy D10/6
- D294,040 S * 2/1988 Peyton D20/29
- D302,568 S * 8/1989 Berger D19/65

(57) **CLAIM**
The ornamental design for a clip, as shown and described.

DESCRIPTION

FIG. 1 is a perspective top front right view of a clip, showing my new design;
FIG. 2 is a perspective top rear left view thereof;
FIG. 3 is a front elevation view thereof;
FIG. 4 is a rear elevation view thereof;
FIG. 5 is a right elevation view thereof;
FIG. 6 is a left elevation view thereof;
FIG. 7 is a top plan view thereof; and,
FIG. 8 is a bottom plan view thereof.

1 Claim, 7 Drawing Sheets



(56)

References Cited

U.S. PATENT DOCUMENTS

7,774,969	B1	8/2010	Silverman	
D649,906	S *	12/2011	Panopoulos D11/215
D653,431	S *	2/2012	Thomas D2/898
D686,667	S *	7/2013	Bengyak D20/29
2003/0178460	A1	9/2003	Shattuck	

* cited by examiner

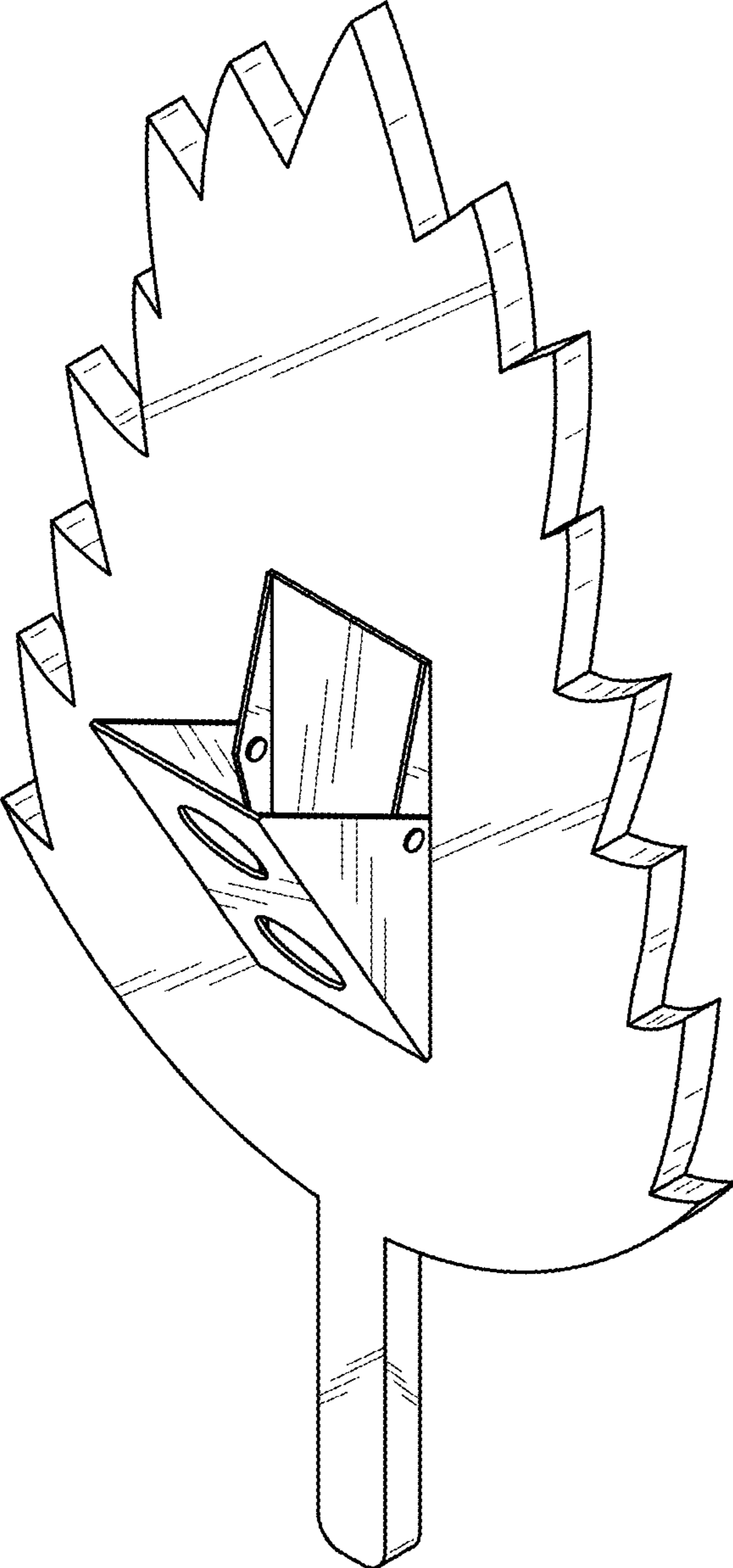


FIG. 1

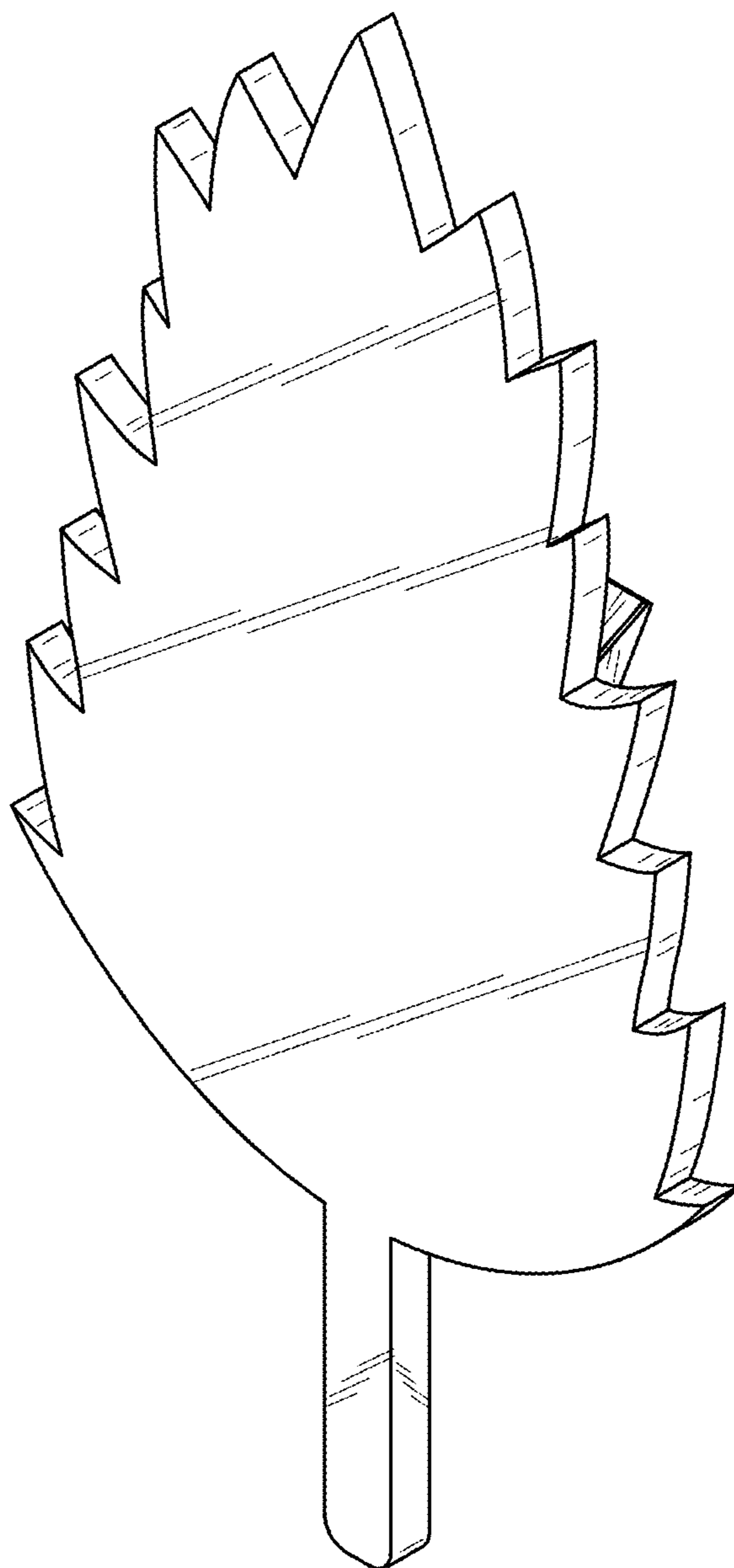


FIG. 2

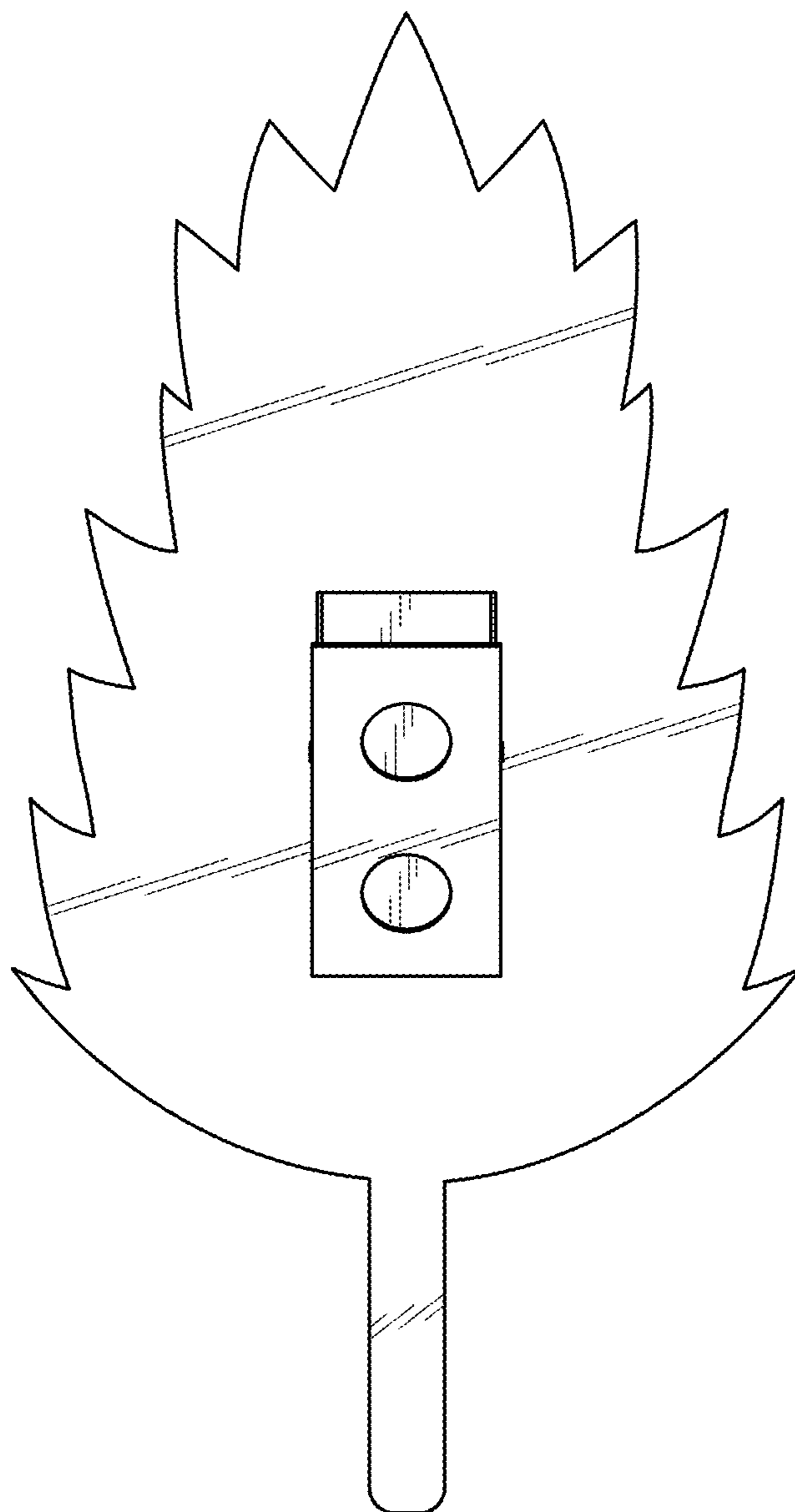


FIG. 3

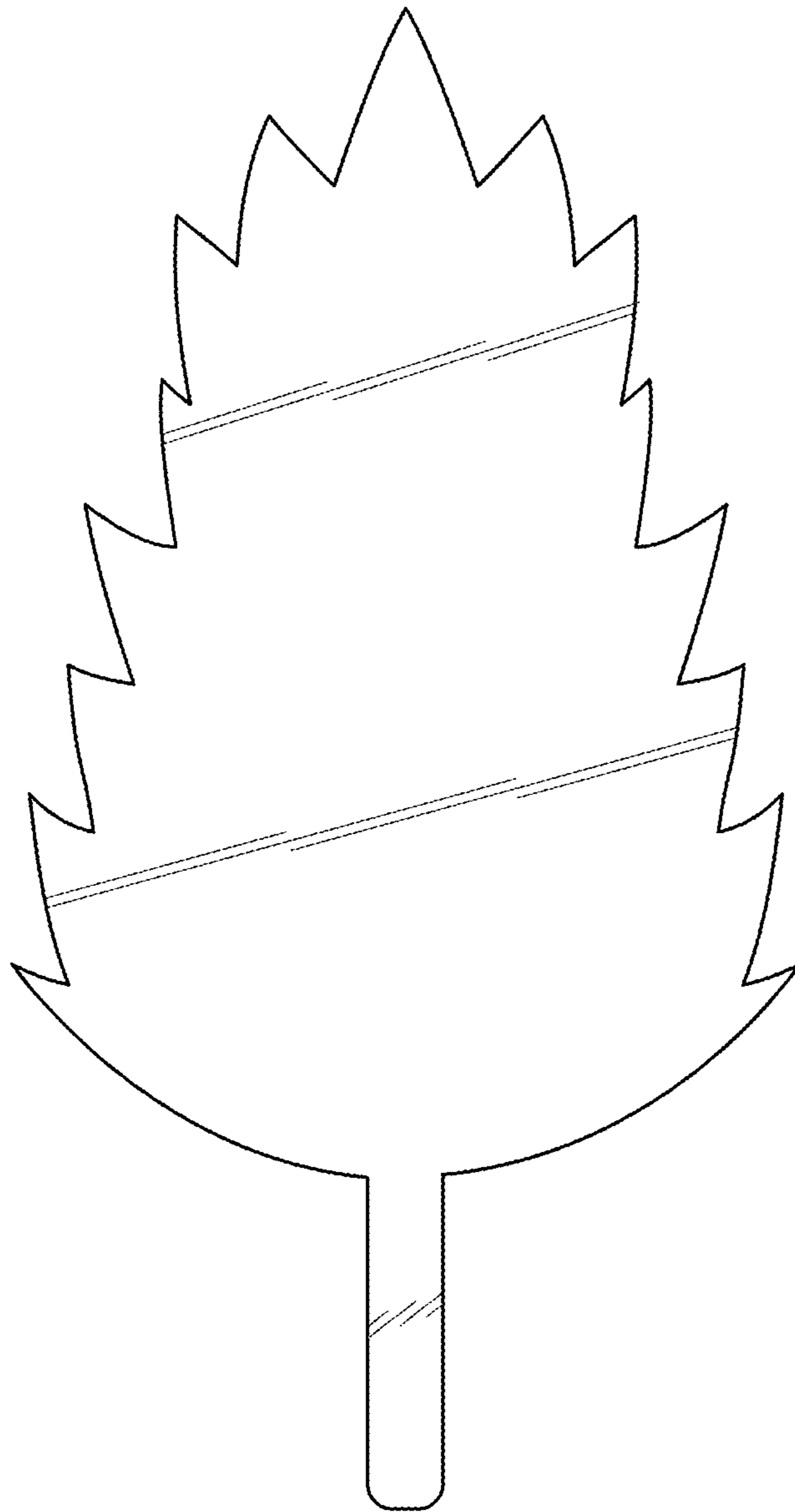


FIG. 4

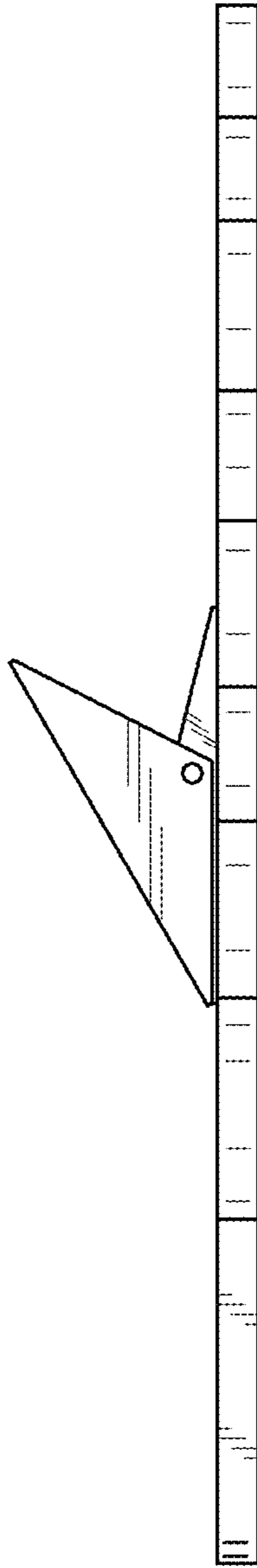


FIG. 5

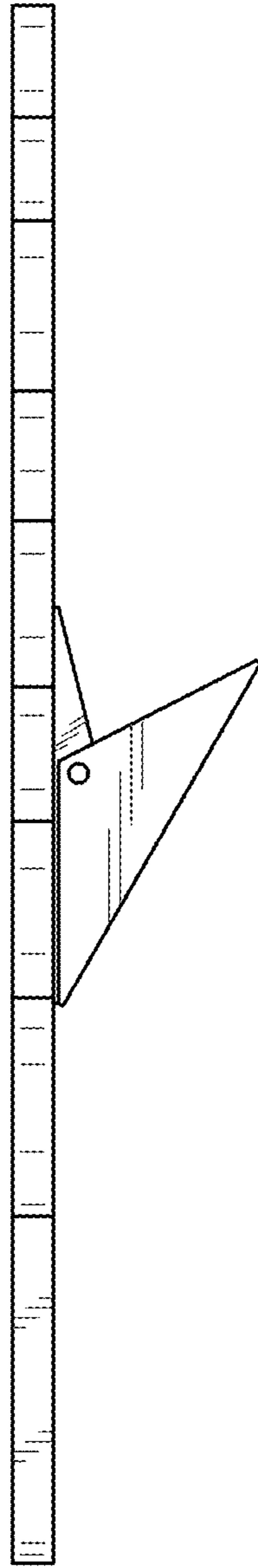


FIG. 6

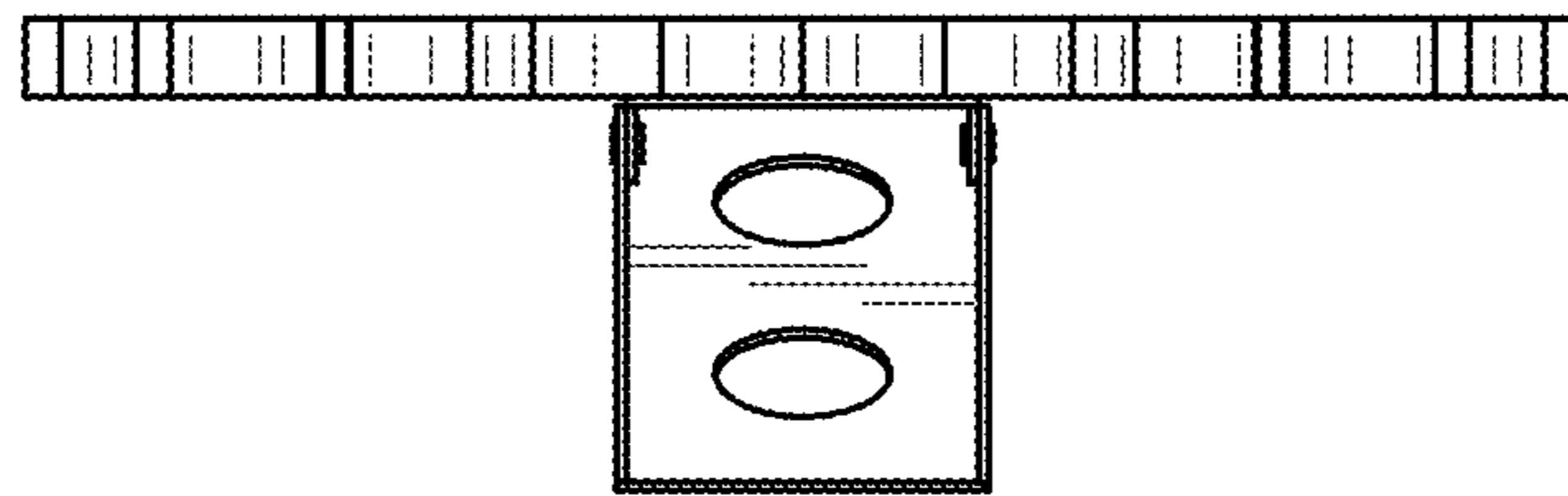


FIG. 7

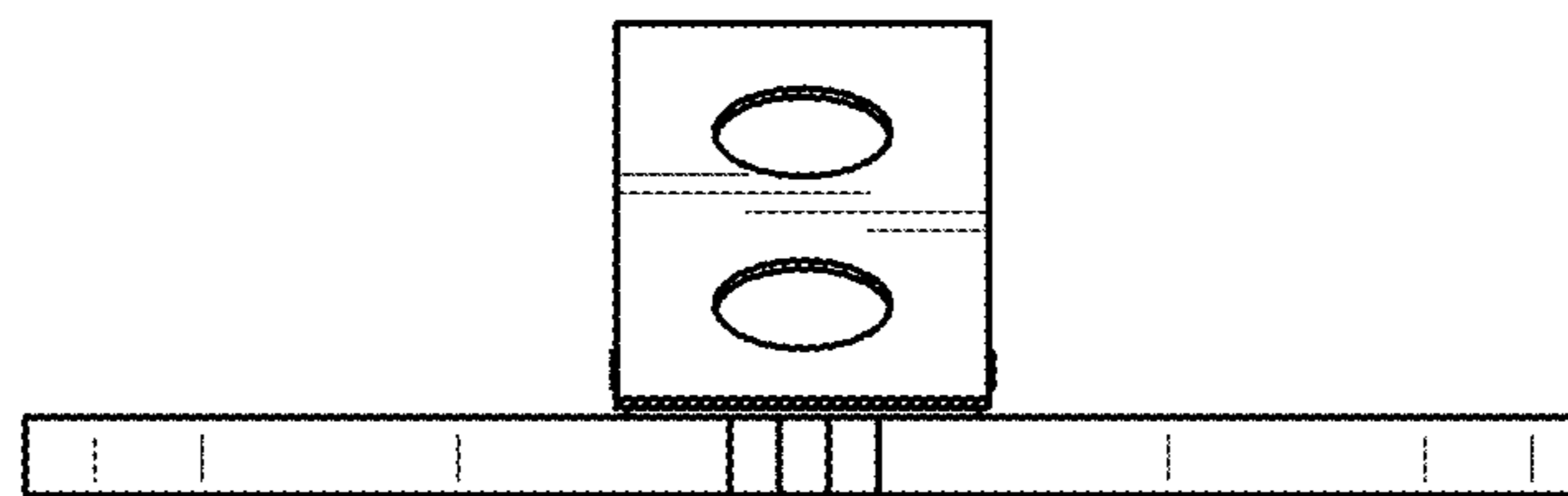


FIG. 8