



US00D821859S

(12) **United States Design Patent**
Artino

(10) **Patent No.:** **US D821,859 S**
(45) **Date of Patent:** **** Jul. 3, 2018**

(54) **RETAINING ADAPTER**

(71) Applicant: **Spiralcool Company**, Bellevue, OH
(US)

(72) Inventor: **Thomas Andrew Artino**, Republic, OH
(US)

(73) Assignee: **SPIRALCOOL COMPANY**, Bellevue,
OH (US)

(**) Term: **15 Years**

(21) Appl. No.: **29/597,426**

(22) Filed: **Mar. 16, 2017**

(51) **LOC (11) Cl.** **08-08**

(52) **U.S. Cl.**
USPC **D8/387; D8/382**

(58) **Field of Classification Search**
USPC D8/310, 349, 382, 387, 388, 397, 399;
D14/203.8, 432, 433, 483, 217, 299
CPC .. F16B 23/00; F16B 23/0061; F16B 23/0007;
B24B 23/02; B24B 23/022; B24B 45/006;
B27B 5/32; B23B 2231/48; B23D
61/025; G03B 17/561; G03B 17/566;
B60R 1/04; B60R 1/06; B60R 11/00;
B60R 2011/0003; B60R 2011/0089

See application file for complete search history.

(56) **References Cited**

U.S. PATENT DOCUMENTS

D278,029 S * 3/1985 Suponitsky D8/397
4,632,356 A * 12/1986 Munz D06F 39/125
248/188.4
5,518,440 A * 5/1996 Bone B24B 45/006
451/342
D376,713 S * 12/1996 Kelso D6/709.18
D389,394 S * 1/1998 Taylor D8/312

D426,146 S * 6/2000 Bruns D8/387
D451,361 S * 12/2001 Yang D8/307
6,332,836 B1 * 12/2001 Tseng B24B 23/022
451/359
6,363,579 B1 * 4/2002 King, Jr. F16K 31/607
16/430
6,727,466 B2 * 4/2004 Hutter, III F16B 11/006
156/71
D556,007 S * 11/2007 Hung D8/107
D572,998 S * 7/2008 Crain D8/305
8,146,879 B2 * 4/2012 Liao A45B 11/00
135/135
D717,207 S * 11/2014 Fondas D11/222
D742,214 S * 11/2015 Yuan D8/399
D773,925 S * 12/2016 Wadey D14/217
9,636,763 B2 * 5/2017 Hortling B23D 61/10
9,718,163 B1 * 8/2017 Sun B24B 23/02
D800,598 S * 10/2017 Hata D11/130
2002/0070037 A1 * 6/2002 Jasch B23B 31/008
173/132

(Continued)

Primary Examiner — Sandra S Snapp

Assistant Examiner — Ieisha N Price

(74) *Attorney, Agent, or Firm* — Mark E. Bandy; Rankin,
Hill & Clark LLP

(57) **CLAIM**

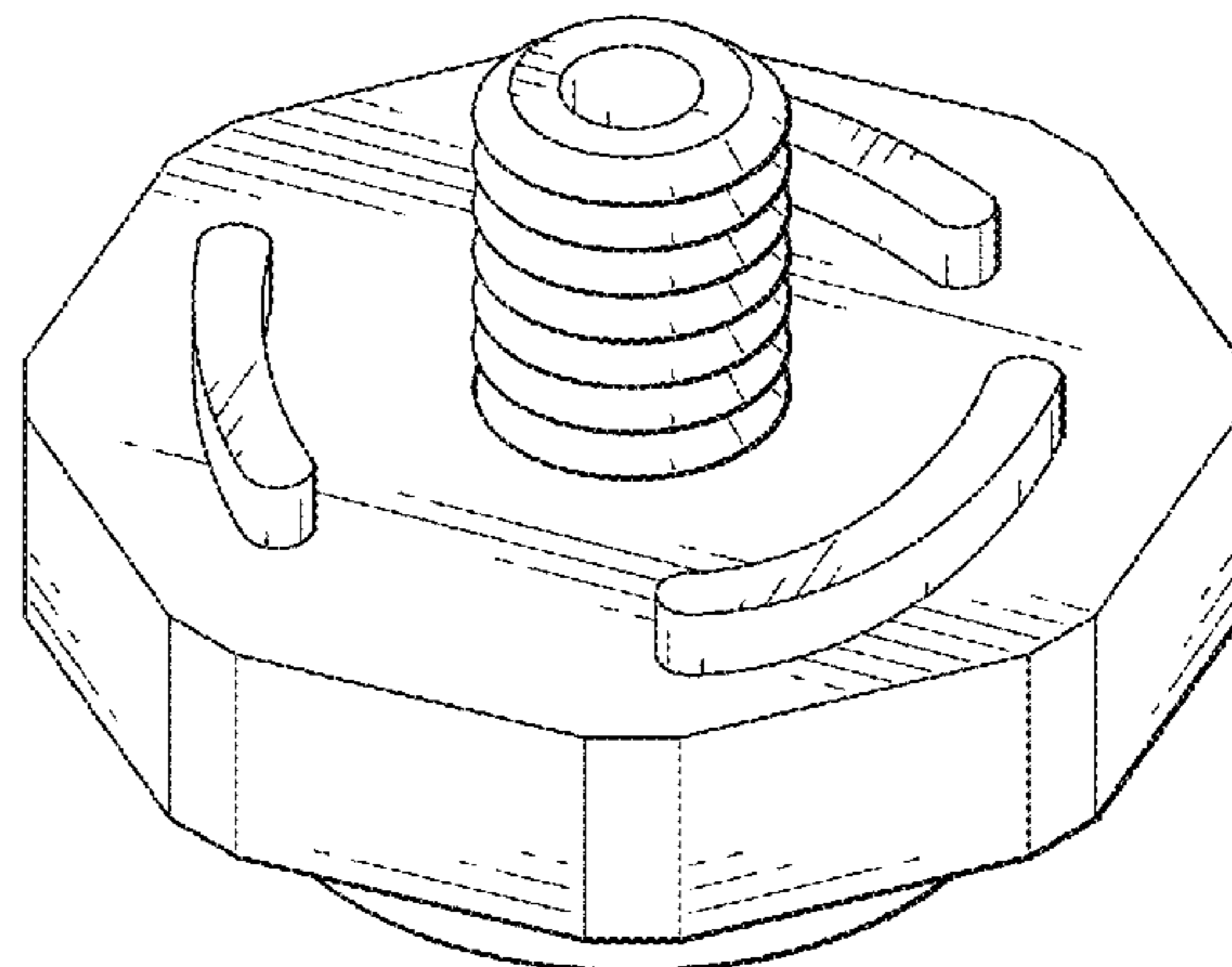
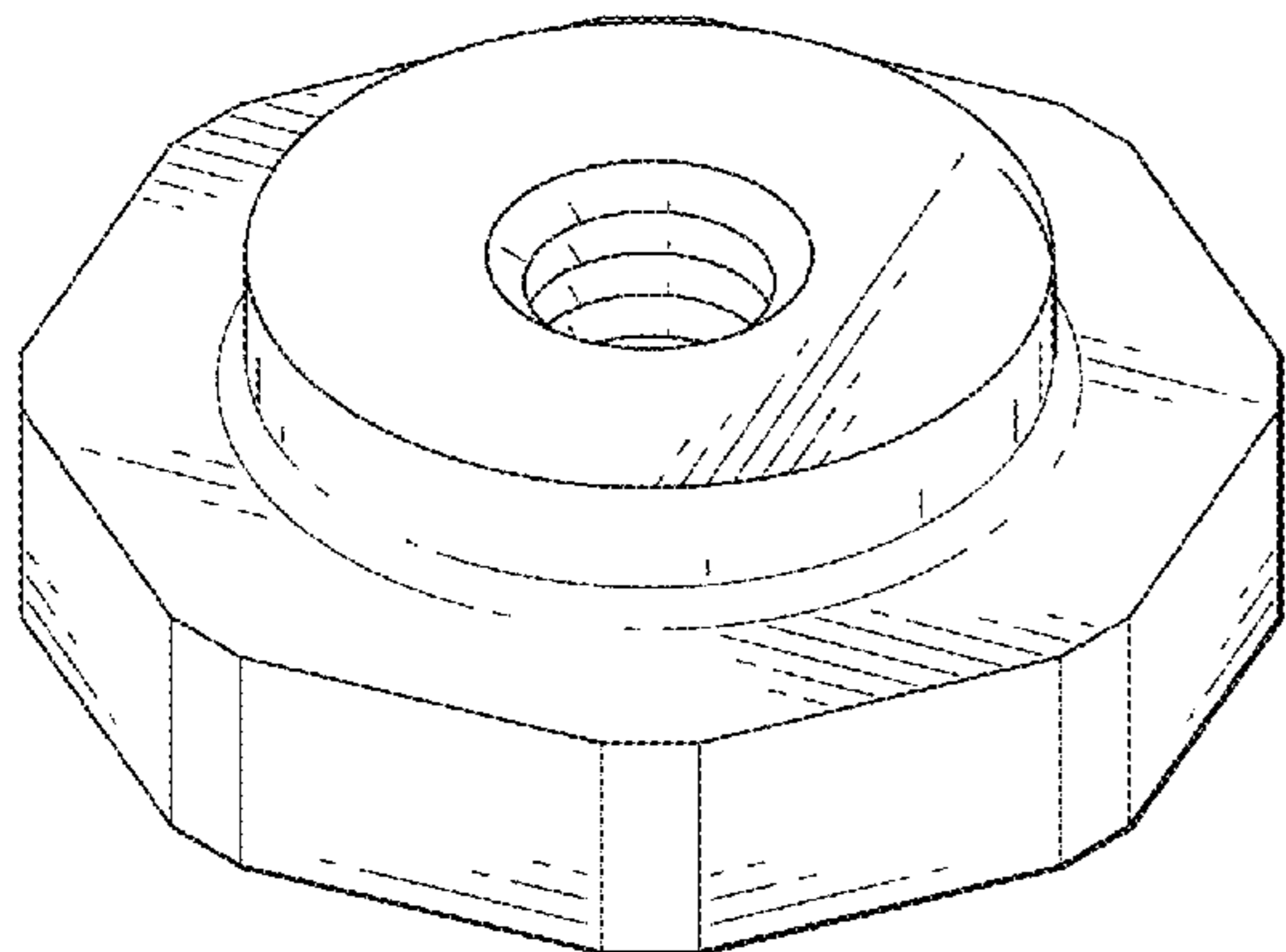
The ornamental design for a retaining adapter, as shown and
described.

DESCRIPTION

FIG. 1 is a front perspective view of a retaining adapter.
FIG. 2 is a rear perspective view of the retaining adapter of
FIG. 1.

FIG. 3 is a front view of the retaining adapter of FIG. 1.
FIG. 4 is a rear view of the retaining adapter of FIG. 1.
FIG. 5 is a side view of the retaining adapter of FIG. 1.
FIG. 6 is a top view of the retaining adapter of FIG. 1; and,
FIG. 7 is a bottom view of the retaining adapter of FIG. 1.

1 Claim, 4 Drawing Sheets



(56)

References Cited

U.S. PATENT DOCUMENTS

2005/0095966 A1* 5/2005 Jasch B23B 31/008
451/342
2007/0295698 A1* 12/2007 Hengel B23K 11/0053
219/93
2014/0186137 A1* 7/2014 Hortling B27B 5/32
411/366.1
2016/0041454 A1* 2/2016 McElderry G03B 17/566
396/428
2016/0288359 A1* 10/2016 Patrick B27B 5/32
2016/0357091 A1* 12/2016 Jacobsson F21S 8/02

* cited by examiner

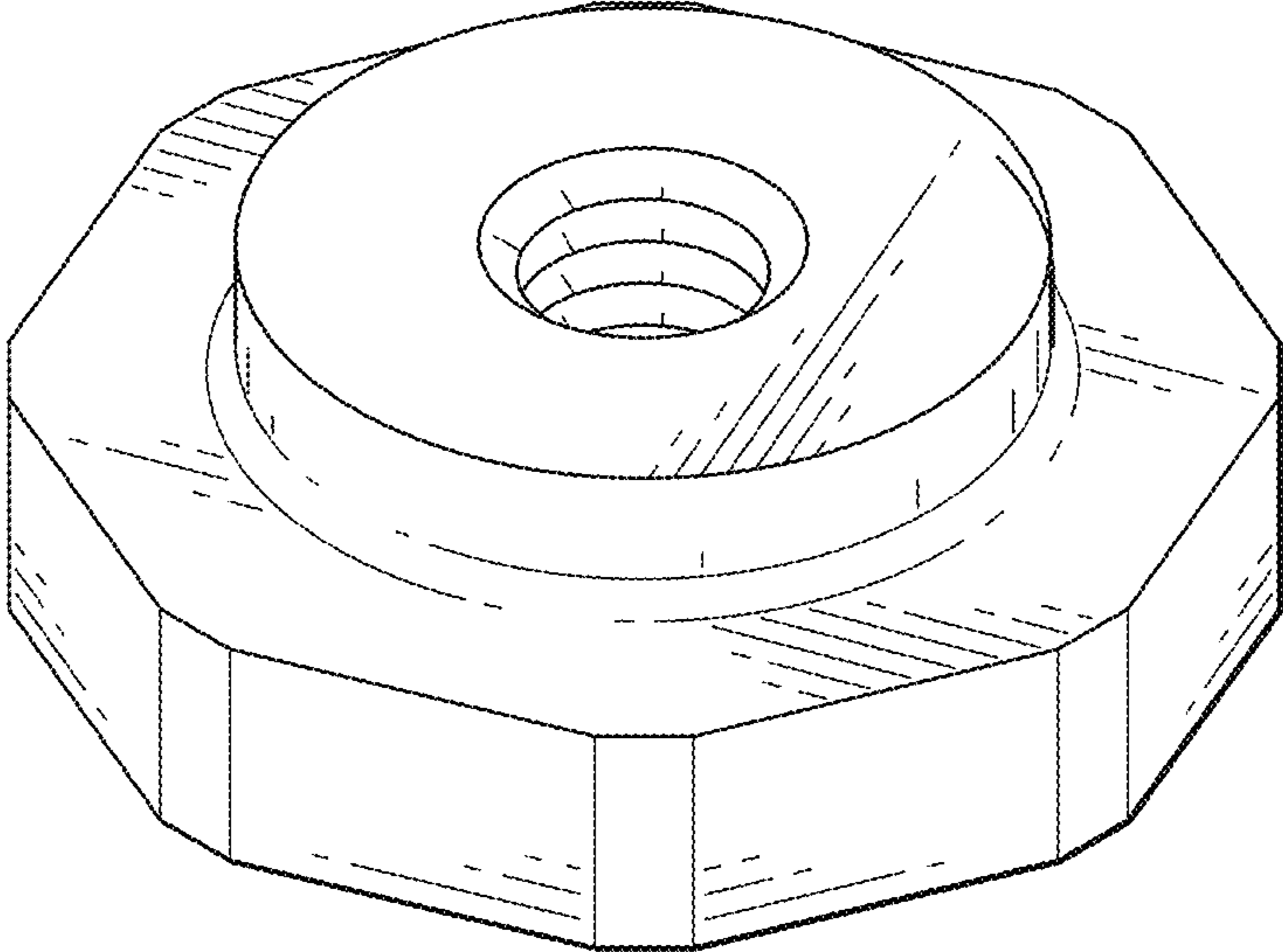


FIG. 1

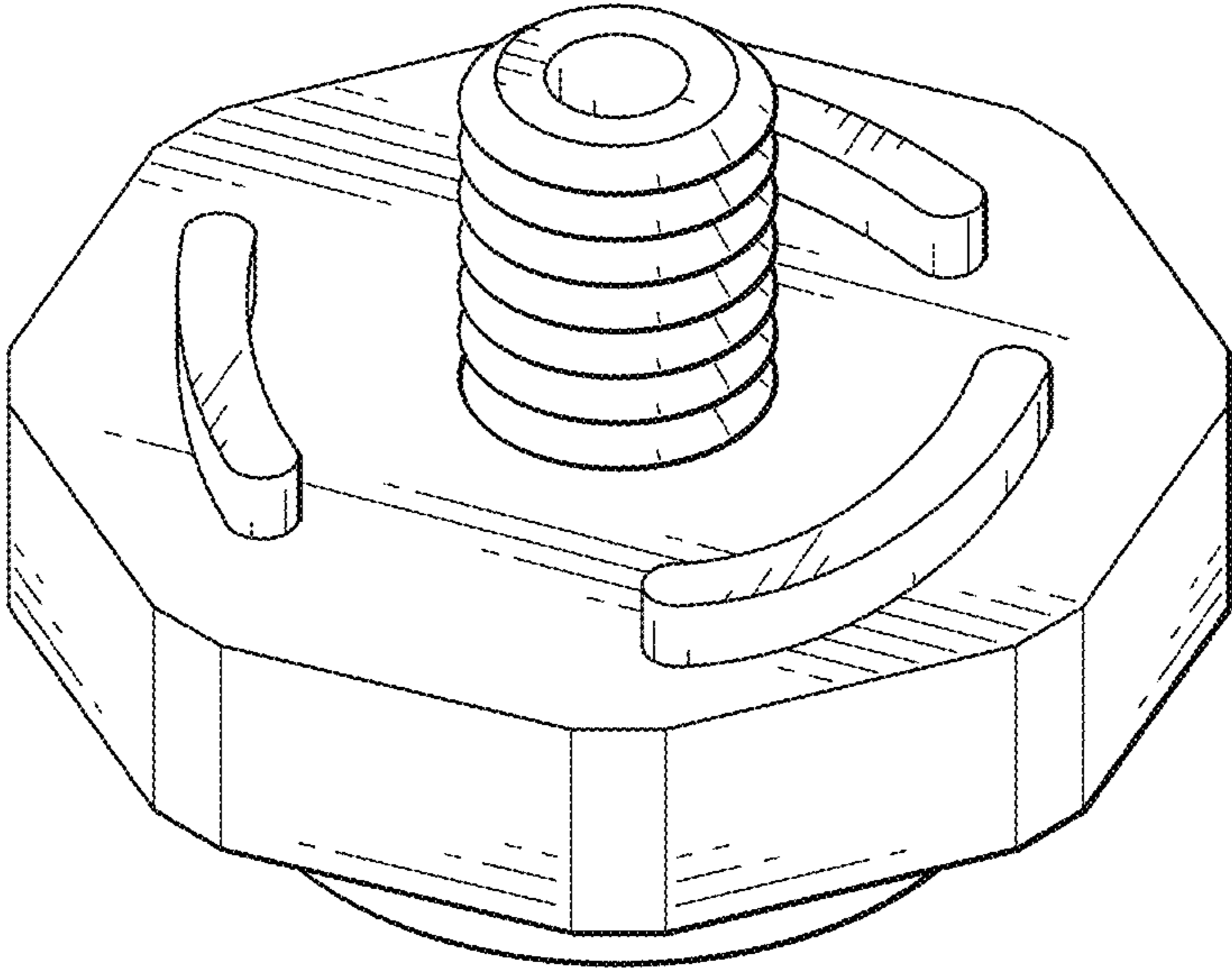


FIG. 2

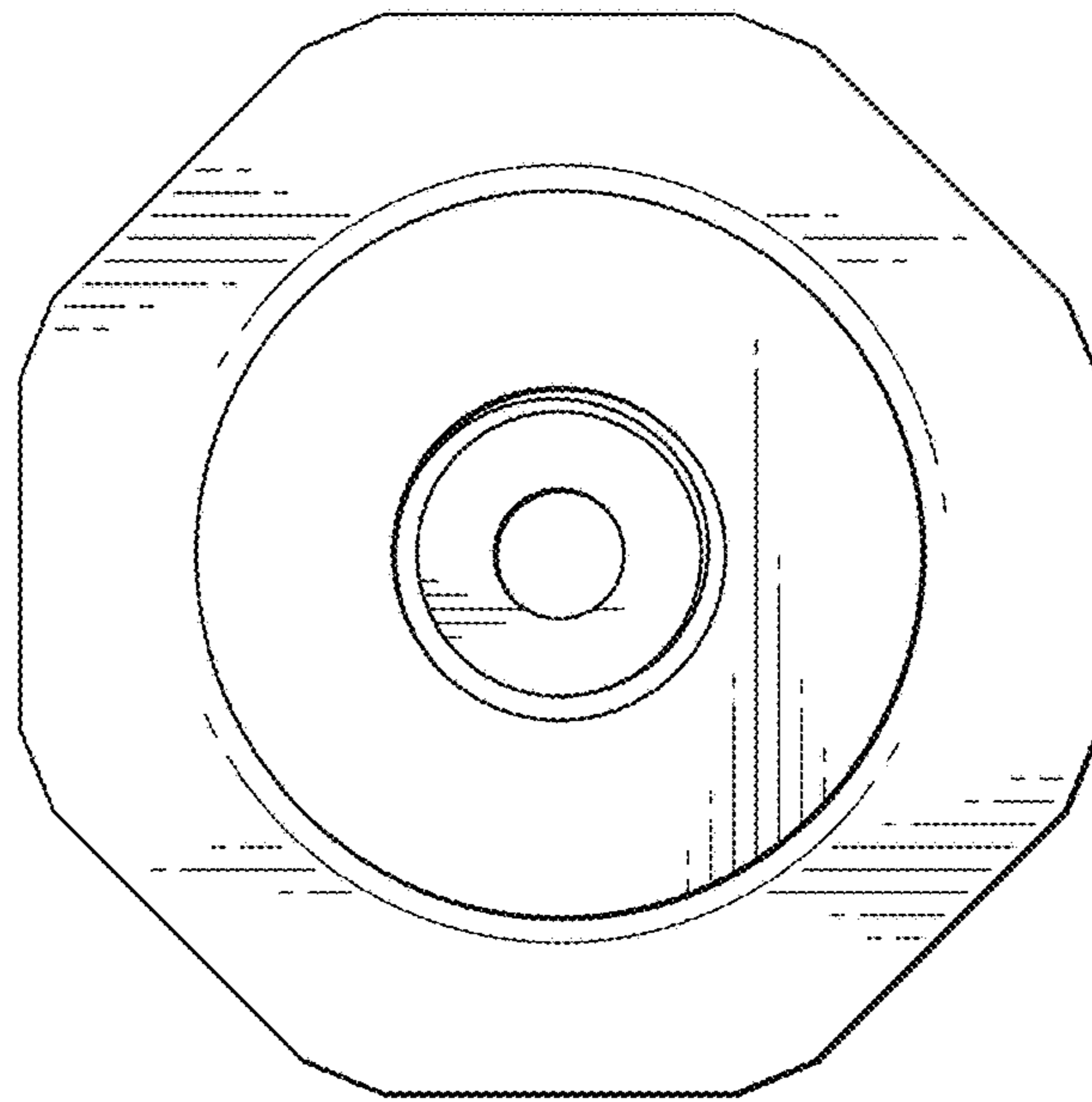


FIG. 3

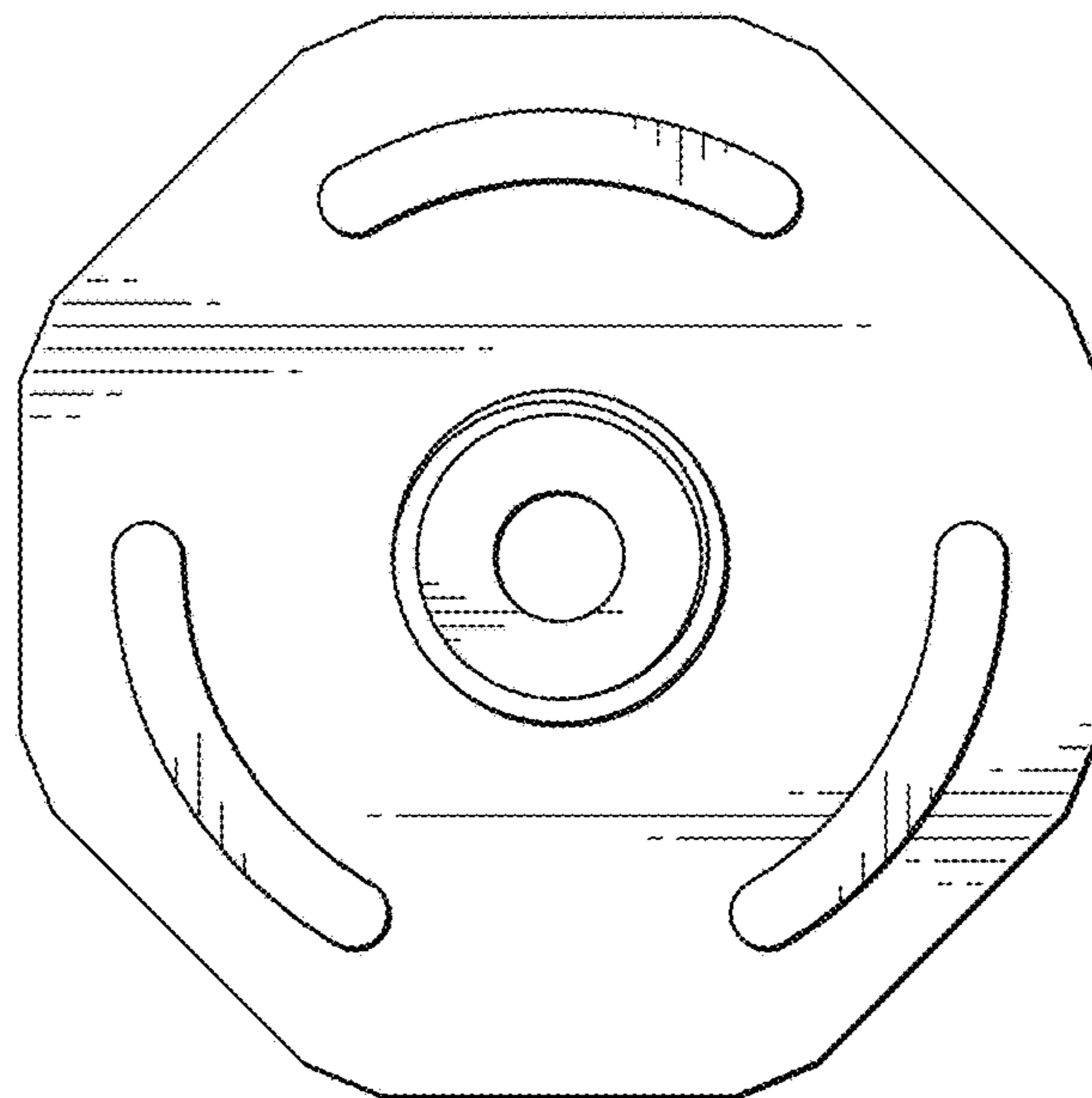


FIG. 4

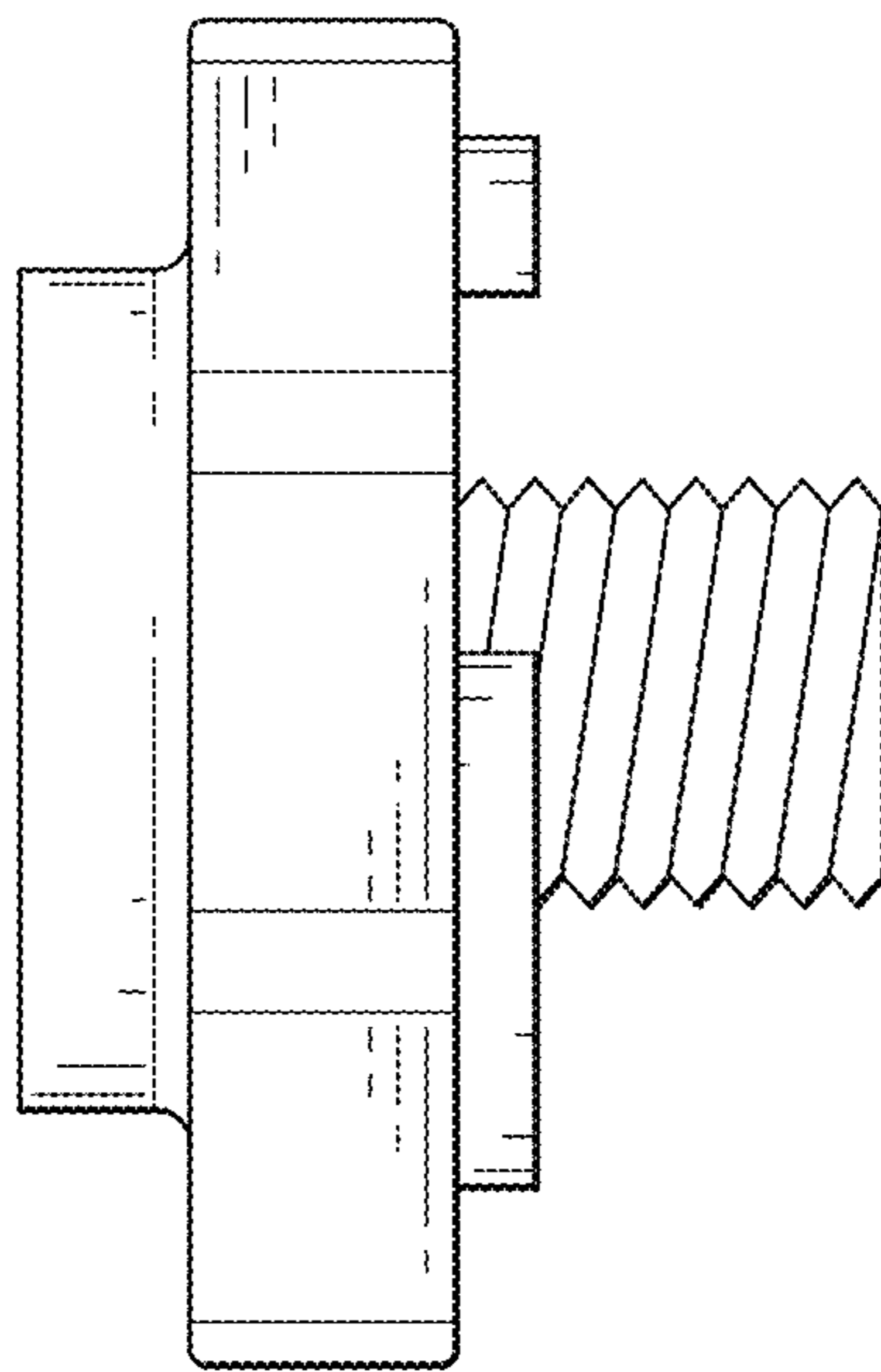


FIG. 5

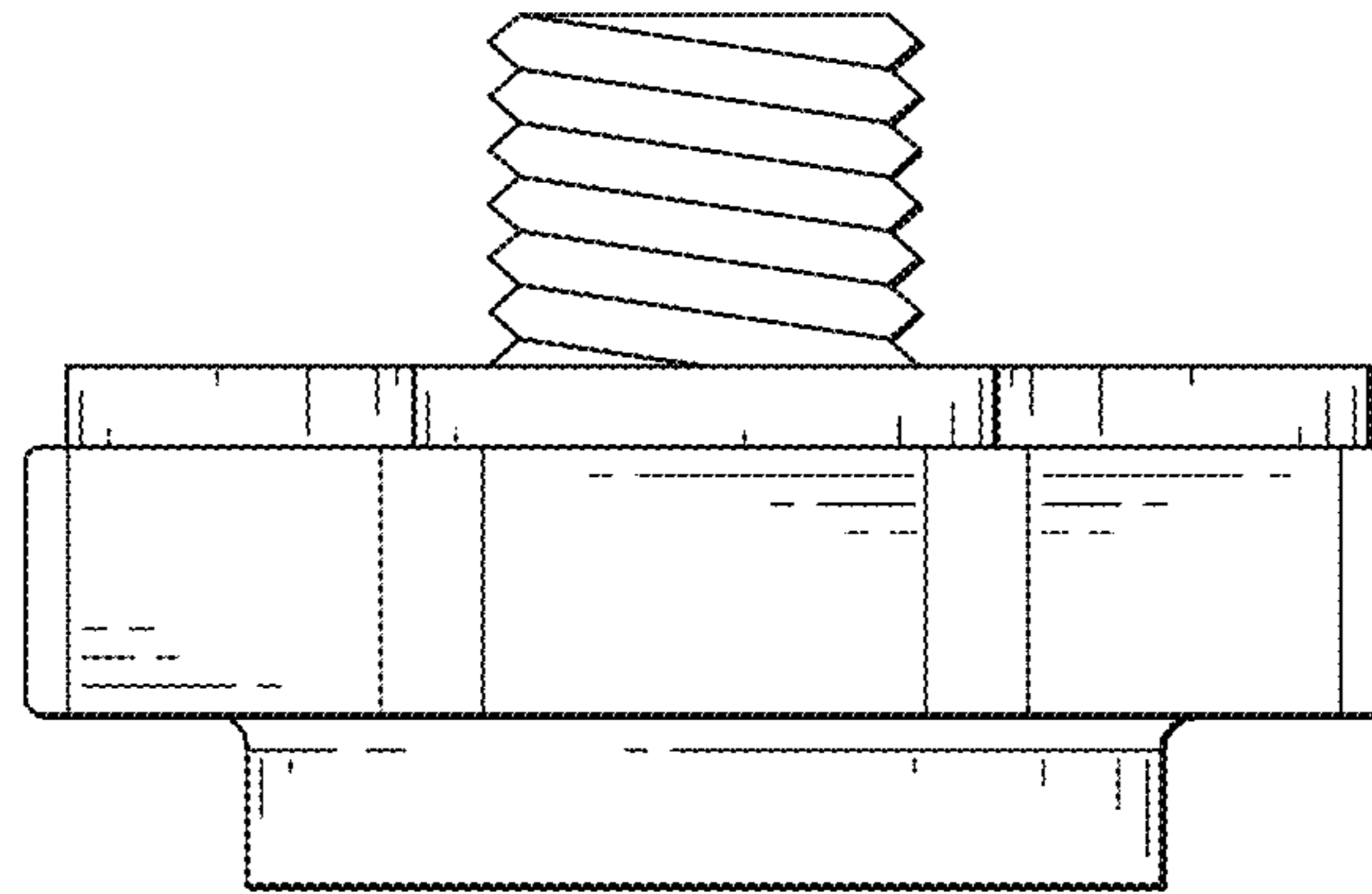


FIG. 6

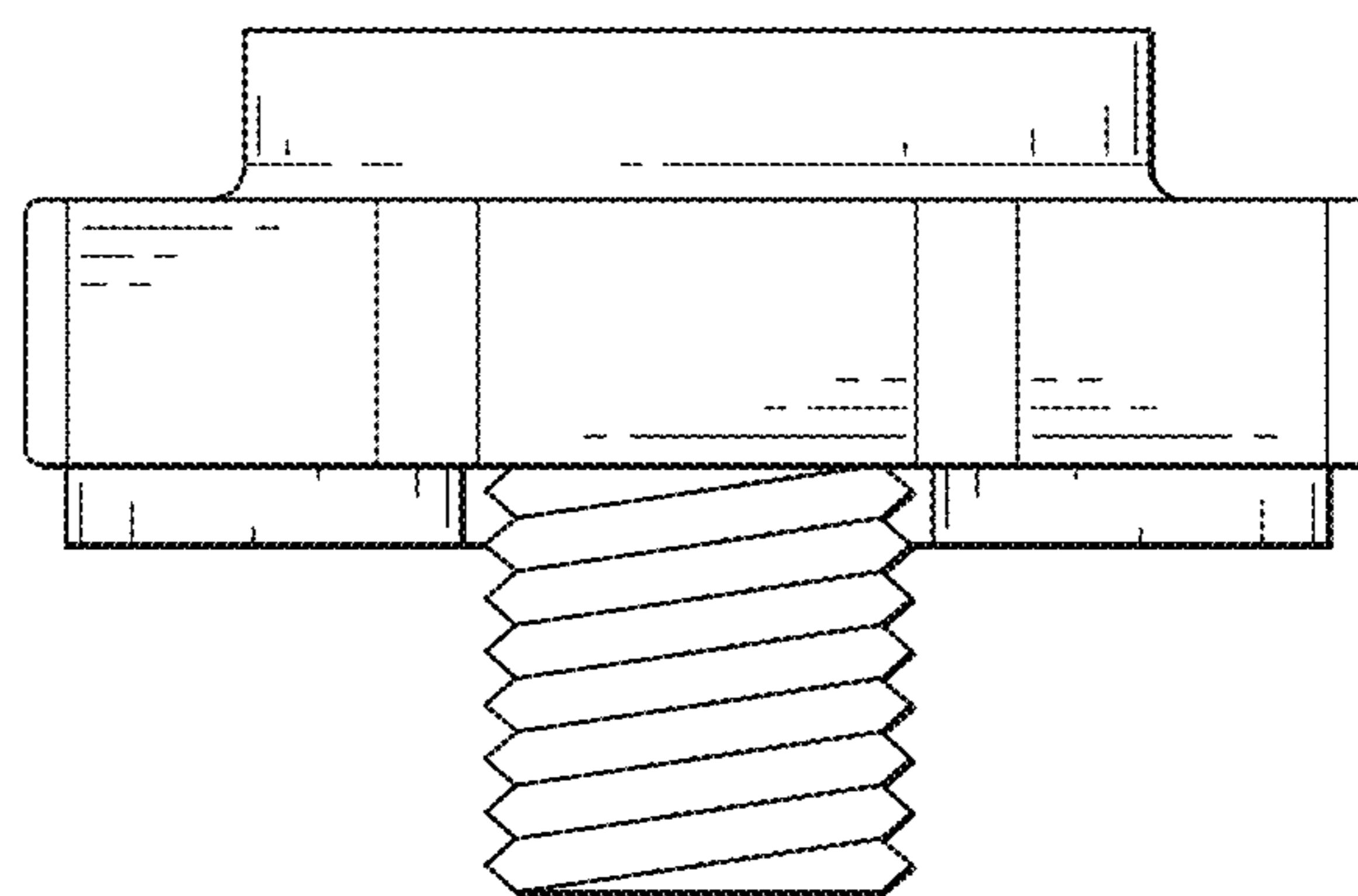


FIG. 7