



US00D821858S

(12) **United States Design Patent**
Bergelin et al.

(10) **Patent No.:** **US D821,858 S**

(45) **Date of Patent:** **** Jul. 3, 2018**

- (54) **CLIP FOR DECKING SYSTEM**
- (71) Applicant: **VALINGE INNOVATION AB**, Viken (SE)
- (72) Inventors: **Marcus Bergelin**, Lerberget (SE);
Nils-Erik Engström, Trelleborg (SE)
- (73) Assignee: **VALINGE INNOVATION AB**, Viken (SE)
- (**) Term: **15 Years**
- (21) Appl. No.: **35/503,132**
- (22) Filed: **Mar. 23, 2017**

D267,776 S *	2/1983	Holgersson	D25/121
D283,295 S *	4/1986	Bancroft	D25/119
D286,743 S *	11/1986	Cohen	D8/394
D293,719 S *	1/1988	Stepanian	D25/125
D320,089 S *	9/1991	Boer	D25/119
D330,772 S *	11/1992	Nelson	D25/119
D356,488 S *	3/1995	Gehiere	D8/354
D451,785 S *	12/2001	Chaney	D8/354
D462,601 S *	9/2002	Chaney	D25/119
D519,543 S *	4/2006	Walker	D17/9
D543,096 S *	5/2007	Heindl	D8/382
D552,259 S *	10/2007	Allsopp	D25/119
D587,819 S *	3/2009	Ryan	D25/119
D615,848 S *	5/2010	Prichard	D8/354
D733,926 S *	7/2015	Van Camp	D25/48.2
D745,368 S *	12/2015	Lutze	D13/184
D758,170 S *	6/2016	Weber	D8/354
D794,423 S *	8/2017	Moon	D8/349

* cited by examiner

(80) **Hague Agreement Data**

Int. Filing Date: **Mar. 23, 2017**
 Int. Reg. No.: **DM/096196**
 Int. Reg. Date: **Mar. 23, 2017**
 Int. Reg. Pub. Date: **Jun. 9, 2017**

Primary Examiner — Robert M. Spear
 (74) *Attorney, Agent, or Firm* — Buchanan Ingersoll & Rooney PC

(30) **Foreign Application Priority Data**

Dec. 21, 2016 (EM) 003531292

(51) **LOC (11) Cl.** **08-08**

(52) **U.S. Cl.**
USPC **D8/382**

(58) **Field of Classification Search**
 USPC D8/349, 354, 382, 394; D25/48.2, 119,
 D25/121
 CPC Y10T 403/553; F16B 5/002
 See application file for complete search history.

(57) **CLAIM**

The ornamental design for a clip for decking system, as shown and described.

(56) **References Cited**

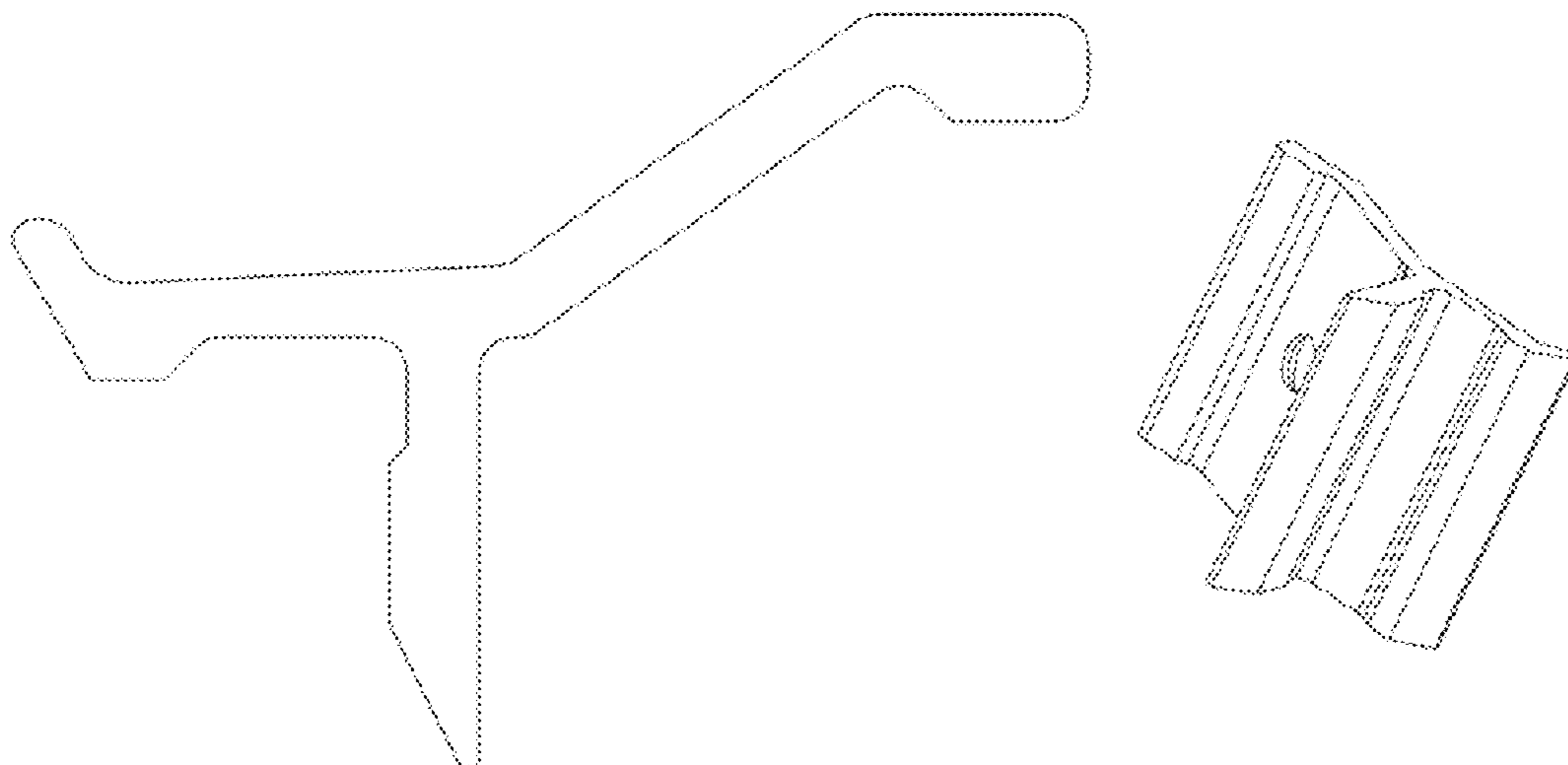
U.S. PATENT DOCUMENTS

D26,742 S * 3/1897 Caldwell D12/51
 D209,071 S * 10/1967 Koch D15/147

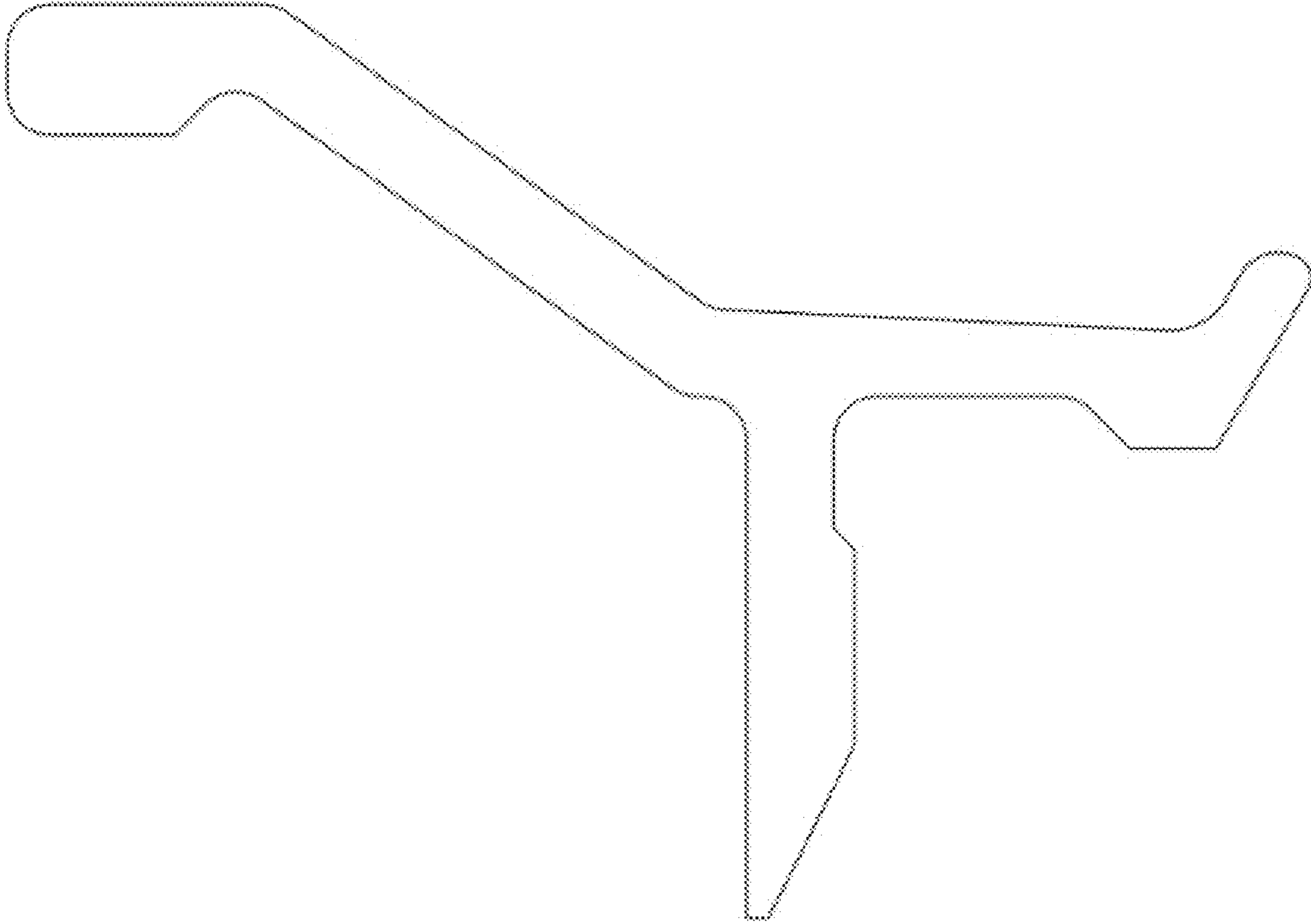
DESCRIPTION

- 1. Clip for decking system
- 1.1 : Left
- 1.2 : Back
- 1.3 : Front
- 1.4 : Top
- 1.5 : Bottom
- 1.6 : Perspective
- 1.7 : Perspective
- 1.8 : Right
- 1.9 : Perspective
- 1.10 : Perspective

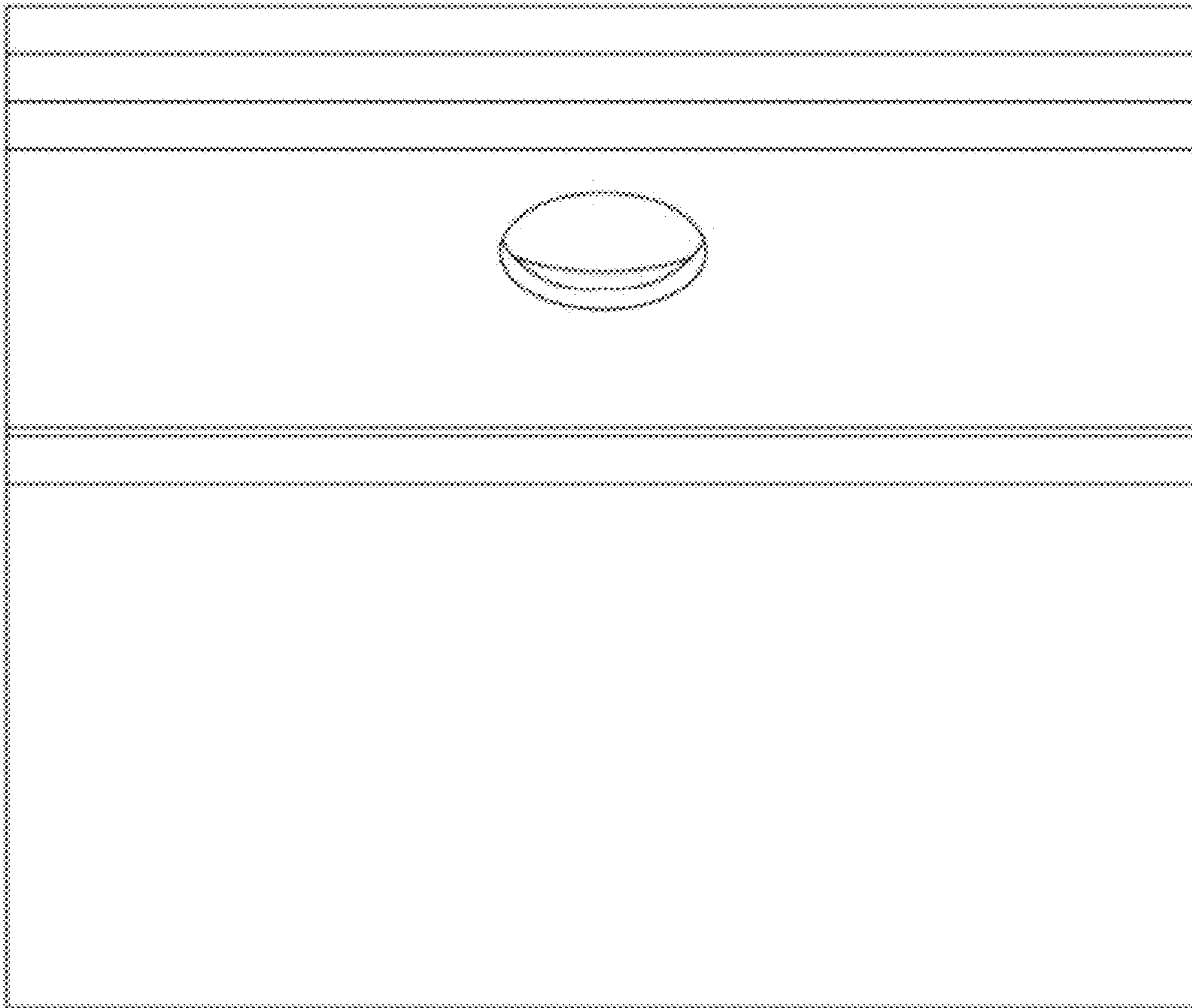
1 Claim, 10 Drawing Sheets



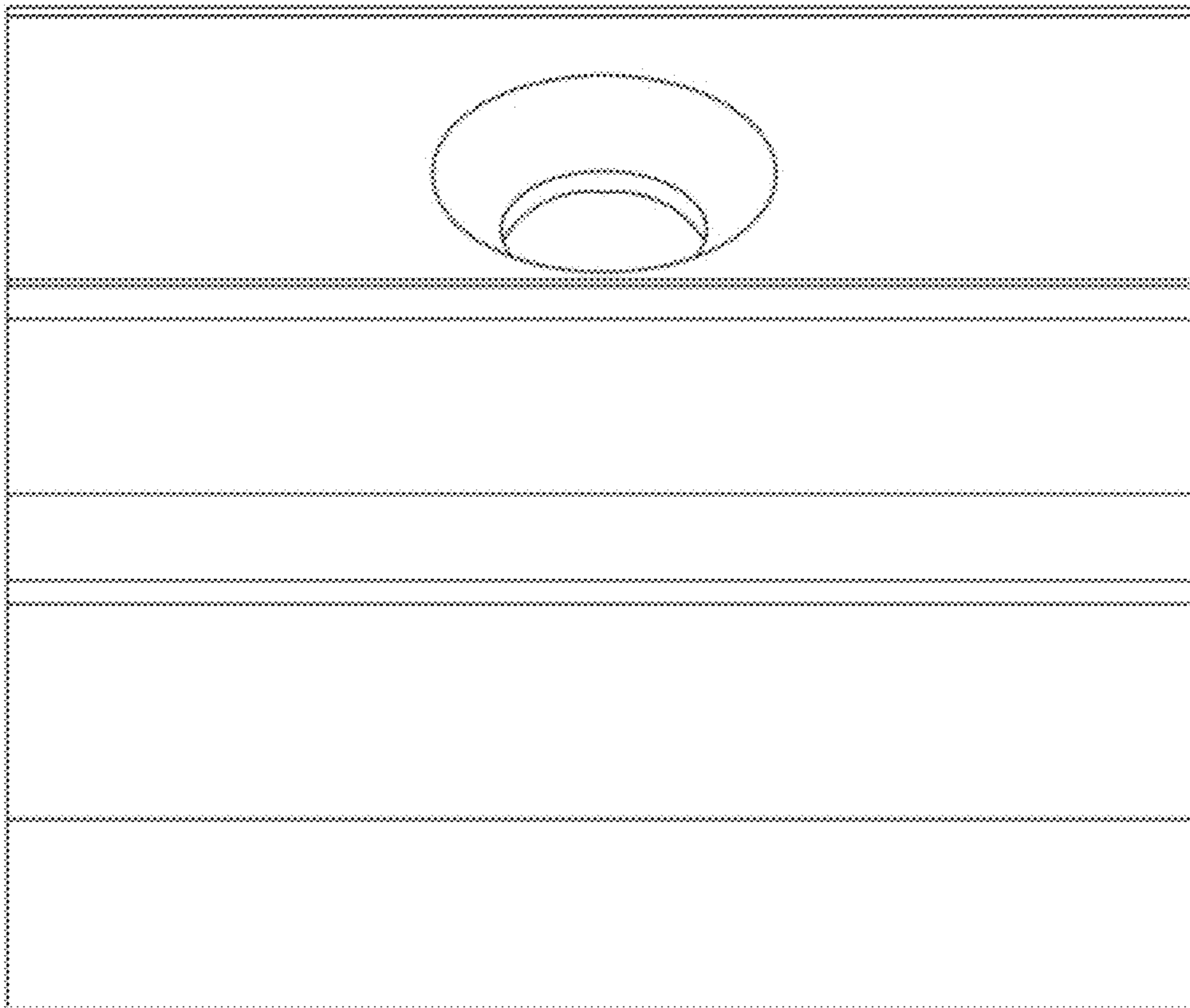
1.1



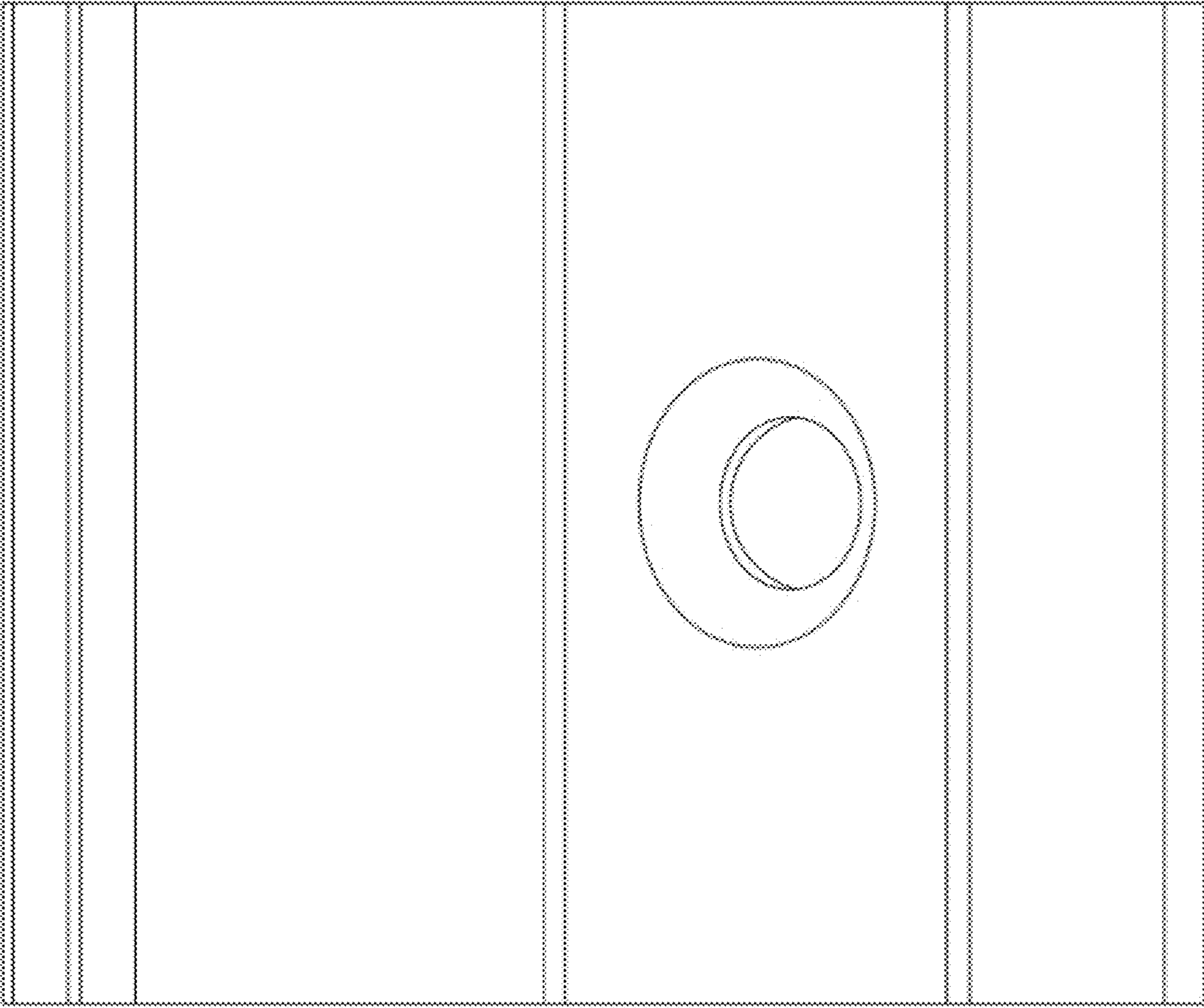
1.2



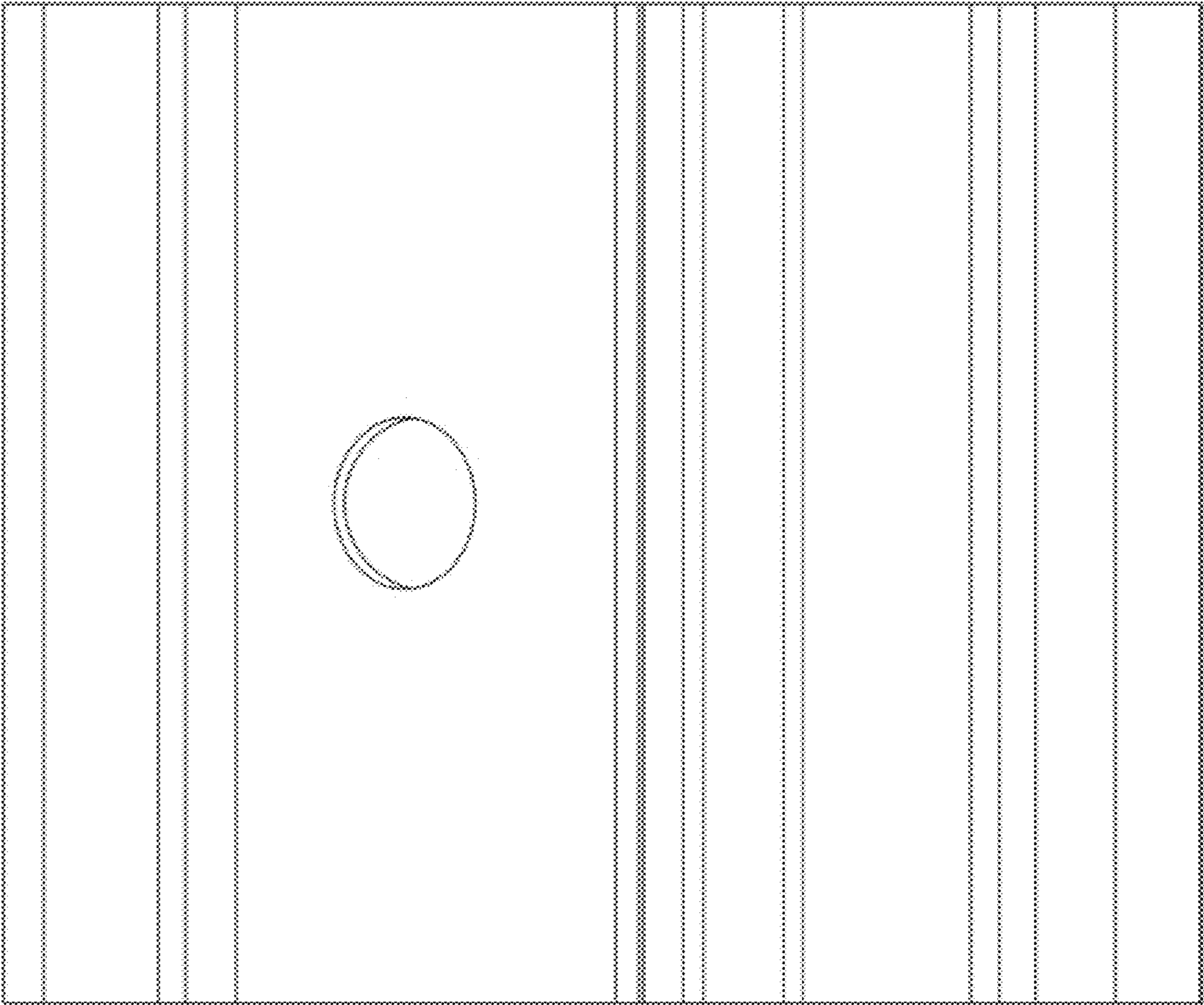
1.3



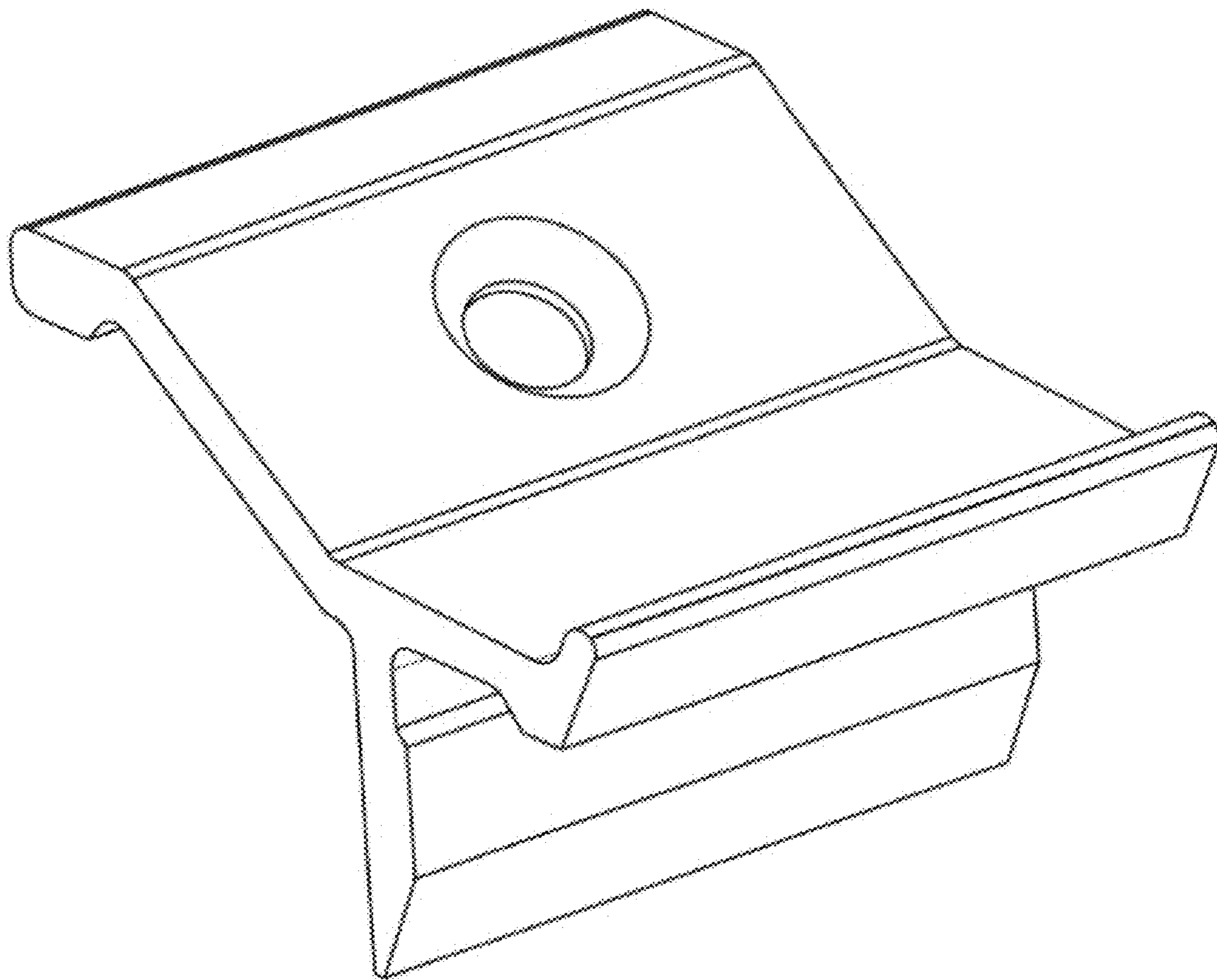
1.4



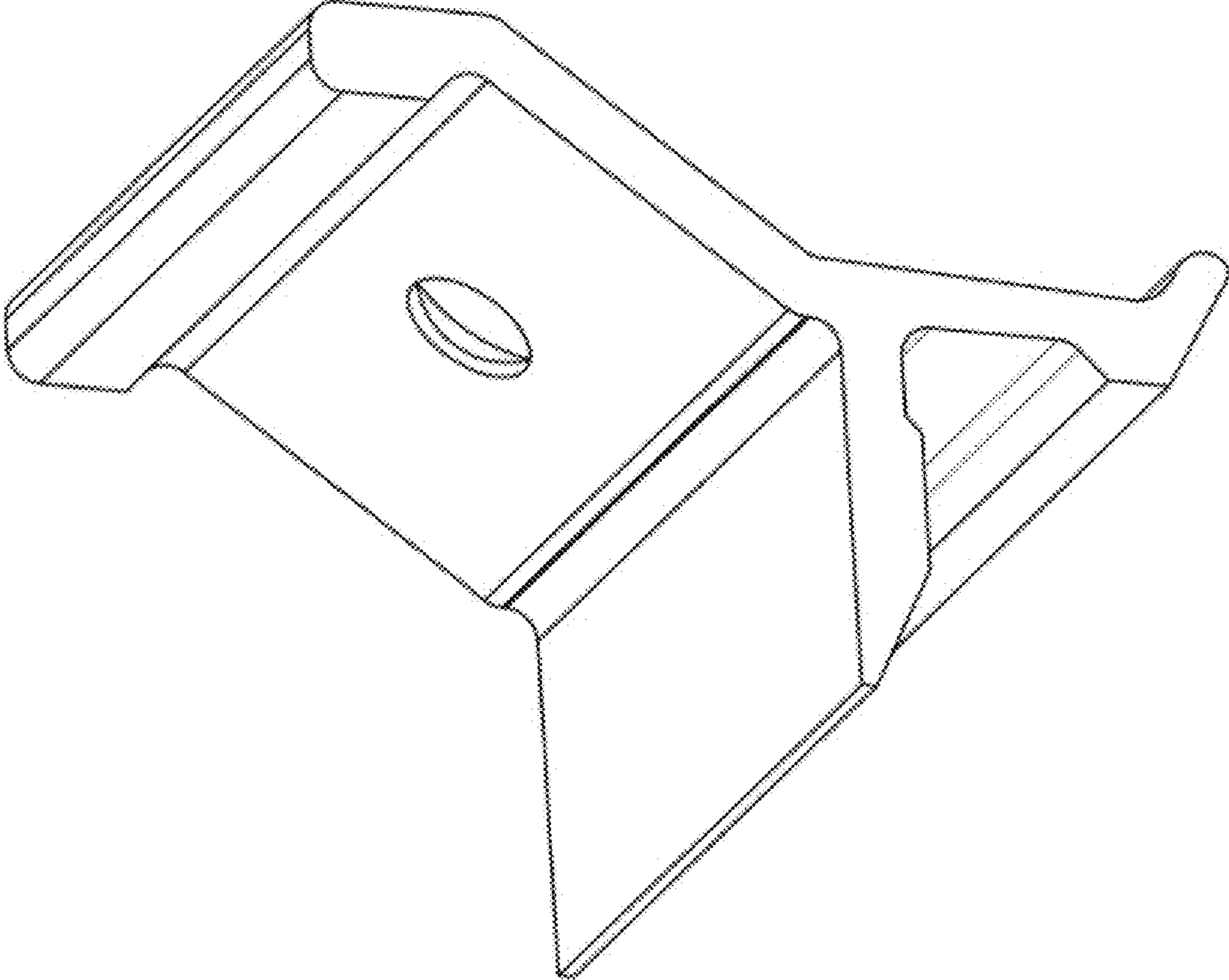
1.5



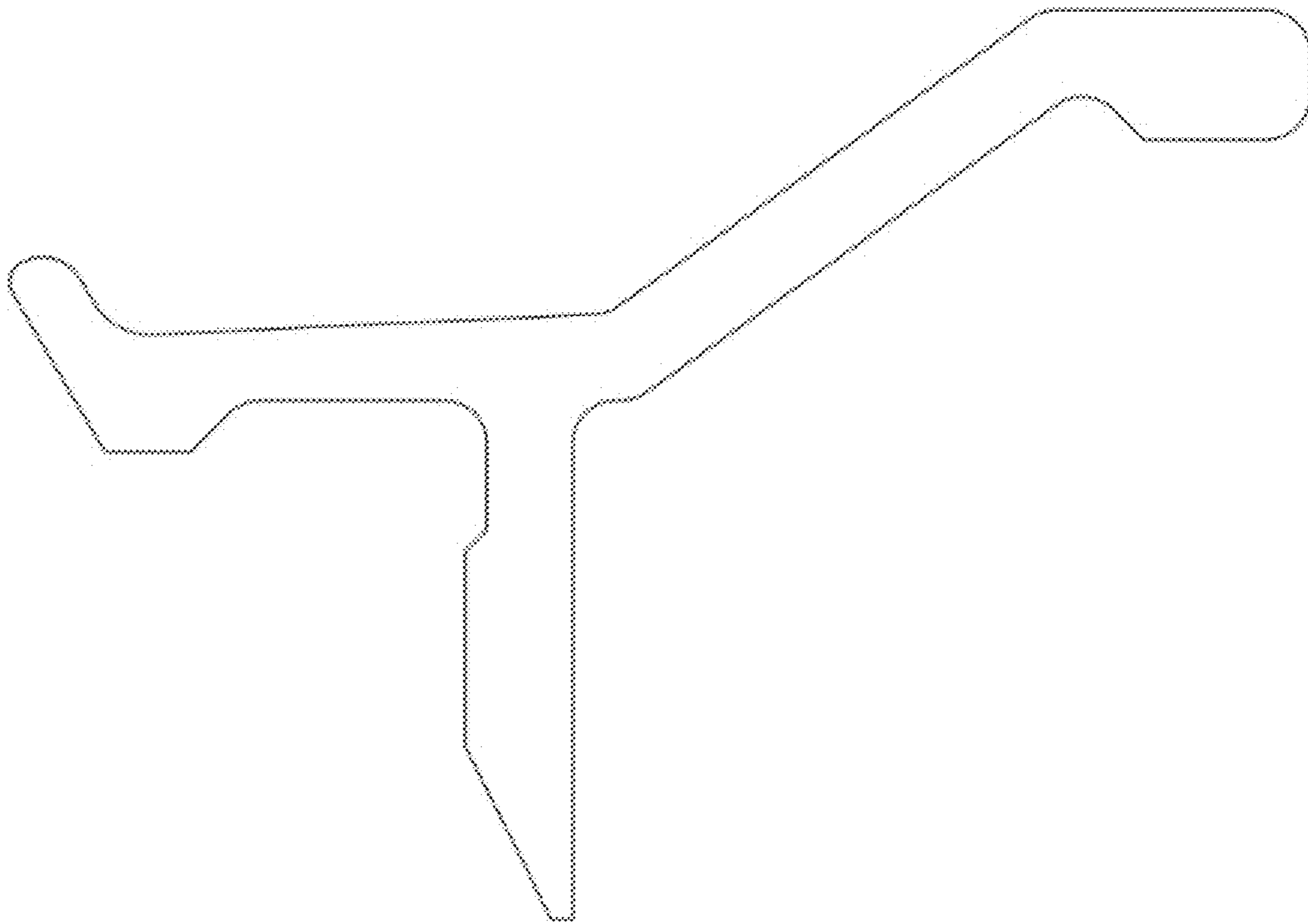
1.6



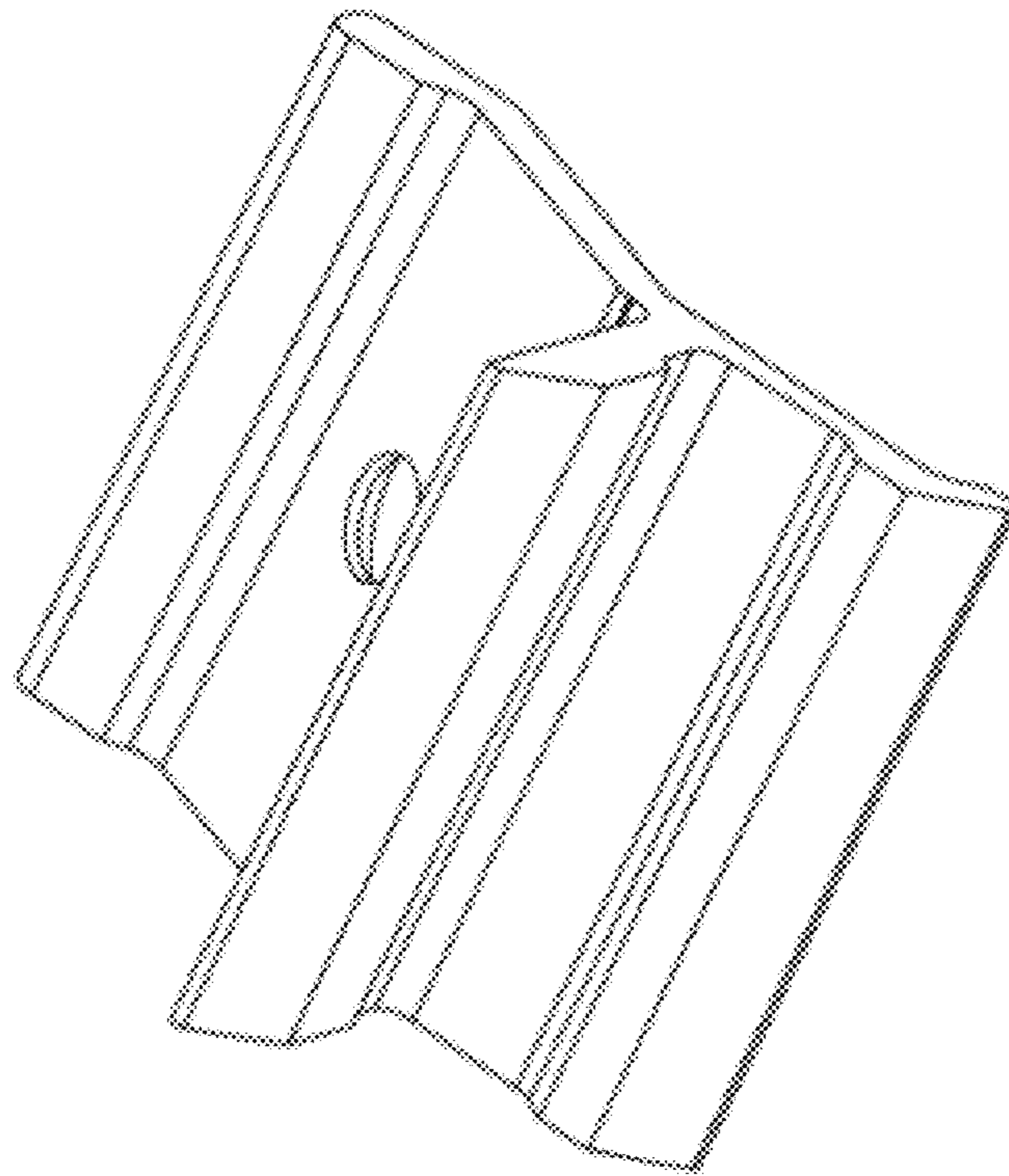
1.7



1.8



1.9



1.10

