



US00D821856S

(12) **United States Design Patent** (10) **Patent No.:** **US D821,856 S**  
**Burns et al.** (45) **Date of Patent:** **\*\* Jul. 3, 2018**

(54) **SUPPORT FOR BALCONY WITH PARALLEL JOISTS**

(71) Applicant: **LB Construction, Inc.**, Roseville, CA (US)

(72) Inventors: **Jordan Burns**, Orangevale, CA (US);  
**Jeff Farley**, Rocklin, CA (US)

(73) Assignee: **LB Construction, Inc.**, Roseville, CA (US)

(\*\*) Term: **15 Years**

(21) Appl. No.: **29/575,807**

(22) Filed: **Aug. 29, 2016**

(51) **LOC (11) Cl.** ..... **08-05**

(52) **U.S. Cl.**  
USPC ..... **D8/380**

(58) **Field of Classification Search**  
USPC ..... D8/321, 380, 381, 400, 373, 354, 355,  
D8/339; 52/73, 489.1; 248/354.1;  
403/205  
CPC . Y10T 24/4465; E02D 27/42; E04H 12/2269;  
E04H 12/2261; E04H 12/2253; E04H  
12/2284

See application file for complete search history.

(56) **References Cited**

U.S. PATENT DOCUMENTS

D214,870 S *	8/1969	Malone	.....	D8/336
D228,377 S *	9/1973	Martz	.....	D8/354
D245,556 S *	8/1977	Meyer	.....	D30/154
D247,420 S *	3/1978	Reynolds	.....	D8/373
D266,053 S *	9/1982	Dallaire	.....	D25/48.7
D296,075 S *	6/1988	Jones	.....	D15/7
D332,670 S *	1/1993	McFarland	.....	D28/38
5,758,854 A *	6/1998	Shih	.....	F16B 37/0864 248/354.3
D396,795 S *	8/1998	Francom	.....	D8/339

D549,085 S *	8/2007	Mevissen	.....	D8/376
D607,374 S *	1/2010	Durkin	.....	D11/182
D613,578 S *	4/2010	Tejszerski	.....	D8/339
8,468,764 B2 *	6/2013	Degen	.....	E04B 2/8635 52/426
D710,183 S *	8/2014	Huddleston	.....	D8/339
D721,574 S *	1/2015	Doughty	.....	D8/400
D735,726 S *	8/2015	Chen	.....	D14/432
D735,770 S *	8/2015	Schaffert	.....	D15/28
D748,460 S *	2/2016	Byrne	.....	D8/381
9,416,949 B2 *	8/2016	Aycock	.....	F21V 21/096
9,482,016 B2 *	11/2016	Kelley	.....	E04F 21/0007
D781,137 S *	3/2017	Ezra	.....	D8/400
9,677,297 B2 *	6/2017	Warner	.....	E04H 12/2284
D811,863 S *	3/2018	Beyerle	.....	D8/373
2002/0139910 A1 *	10/2002	Shih	.....	E04G 25/06 248/200.1

(Continued)

*Primary Examiner* — Lakiya G Rogers

*Assistant Examiner* — Altaira J Swangin

(74) *Attorney, Agent, or Firm* — Heisler & Associates

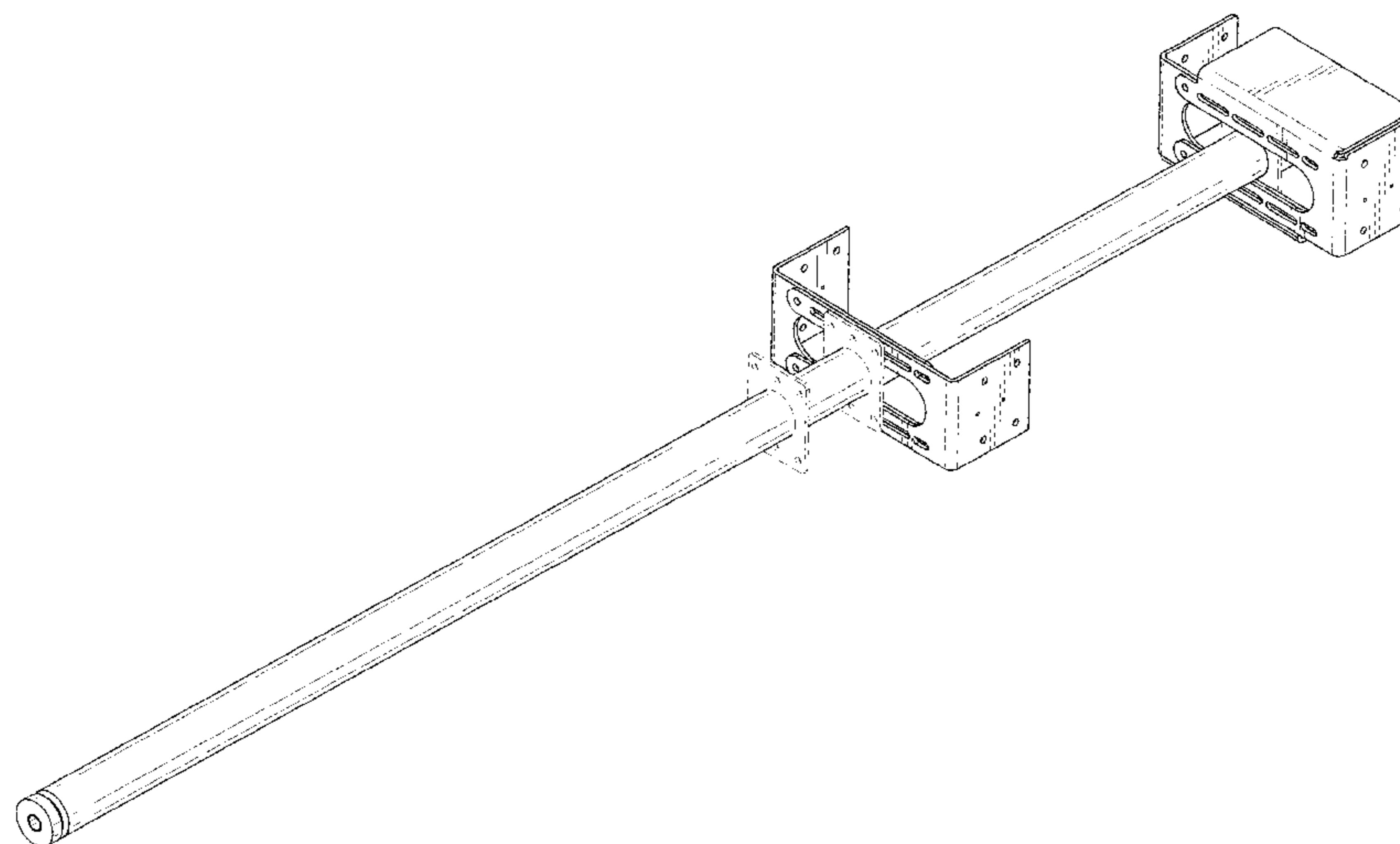
(57) **CLAIM**

The ornamental design for a support for balcony with parallel joists, as shown and described.

**DESCRIPTION**

FIG. 1 is a perspective view of a support for balcony with parallel joists from above;  
FIG. 2 is a perspective view of the invention from below;  
FIG. 3 is a top plan view of the invention;  
FIG. 4 is a right side elevation view of the invention;  
FIG. 5 is a bottom plan view of the invention;  
FIG. 6 is a left side elevation view of the invention;  
FIG. 7 is a front elevation view of the invention;  
FIG. 8 is a rear elevation view of the invention; and,  
FIG. 9 is a perspective view of the invention in use.  
In the drawings, the broken lines illustrate features that form no part of the claimed design.

**1 Claim, 6 Drawing Sheets**



(56)

**References Cited**

U.S. PATENT DOCUMENTS

2005/0160683 A1\* 7/2005 Eldeen ..... E04B 1/003  
52/73  
2010/0101167 A1\* 4/2010 Morey ..... E04B 9/183  
52/506.06  
2012/0315081 A1\* 12/2012 Bouldin ..... E04B 1/003  
403/205

\* cited by examiner

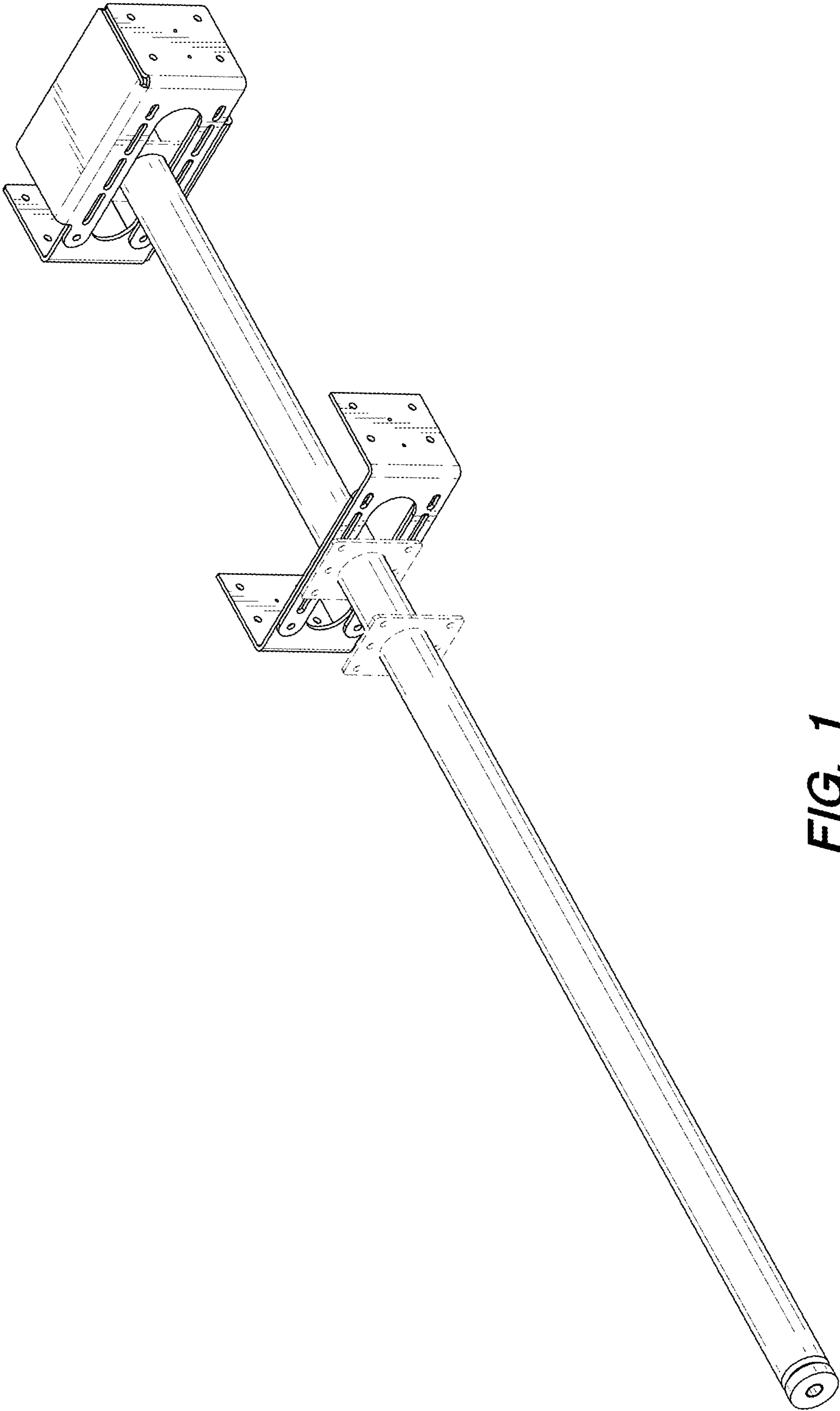


FIG. 1

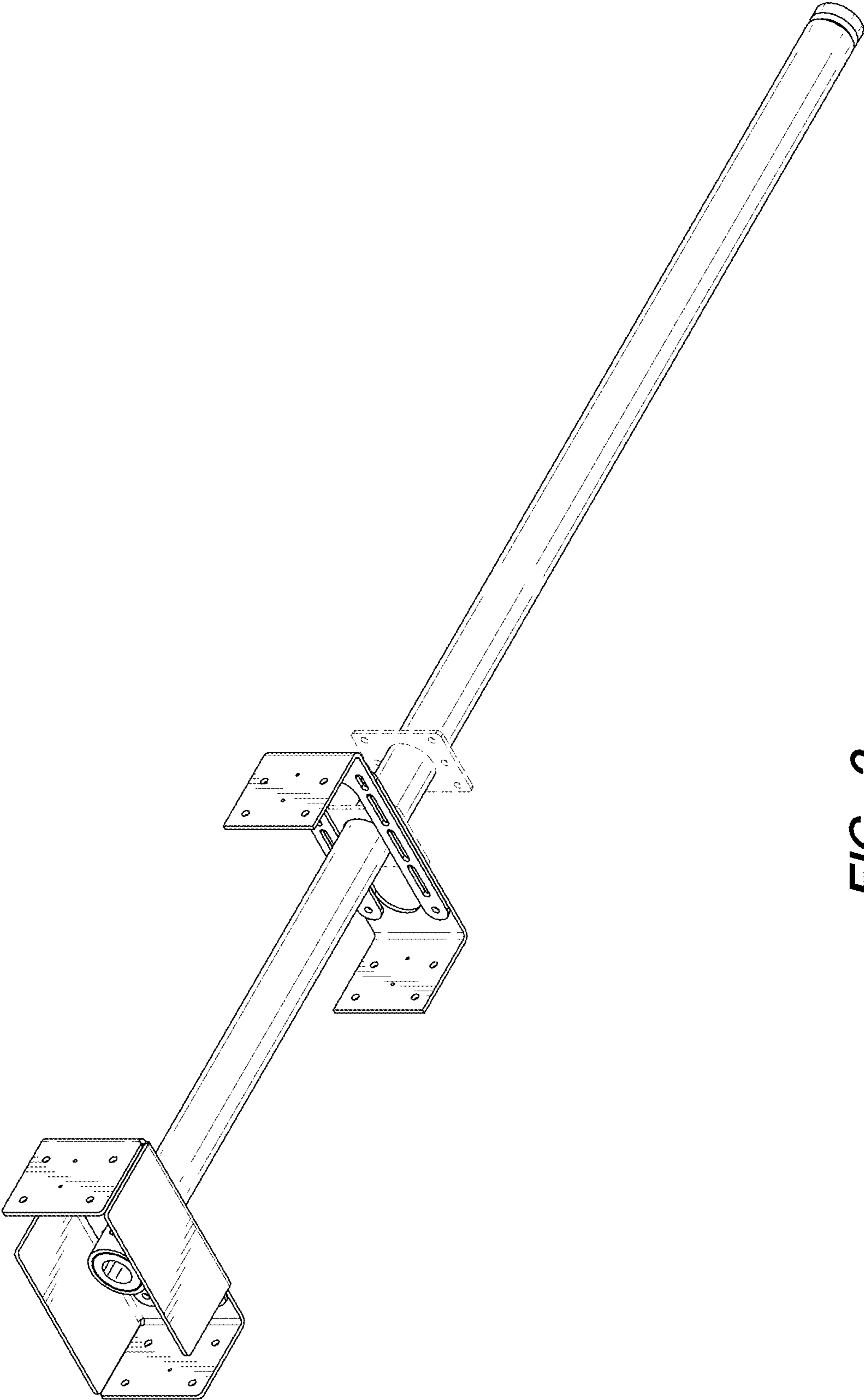
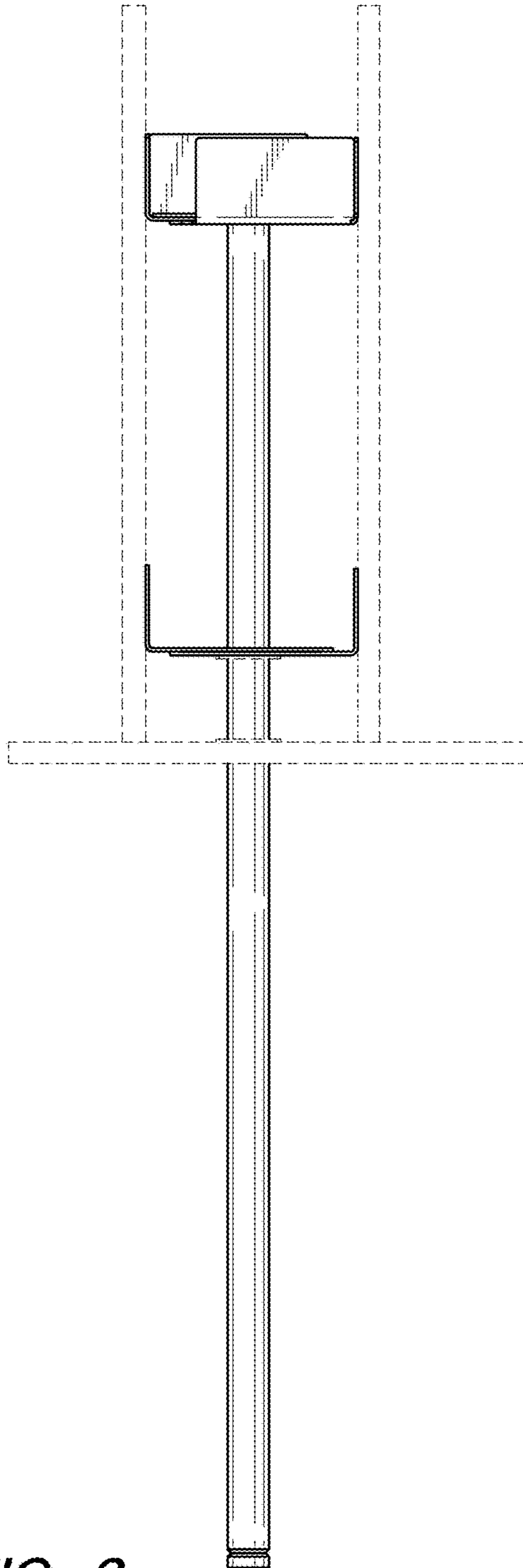
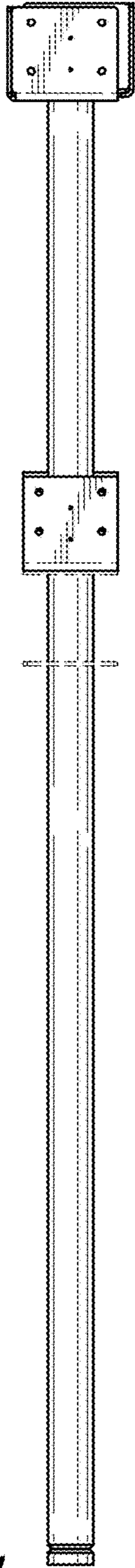


FIG. 2

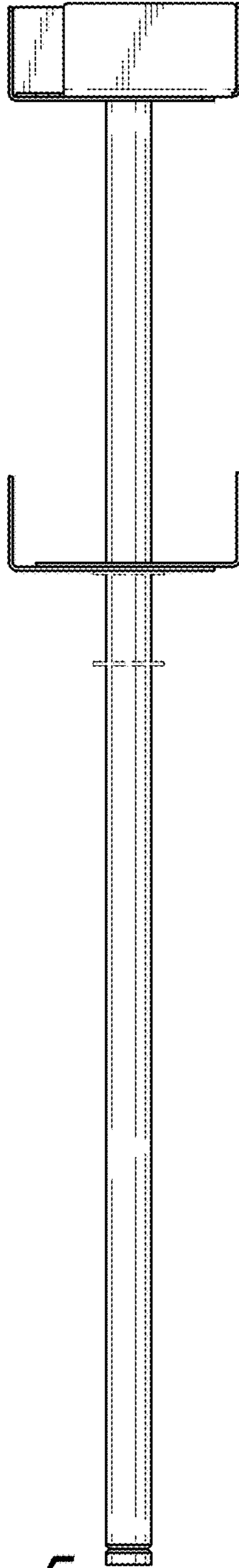


**FIG. 3**

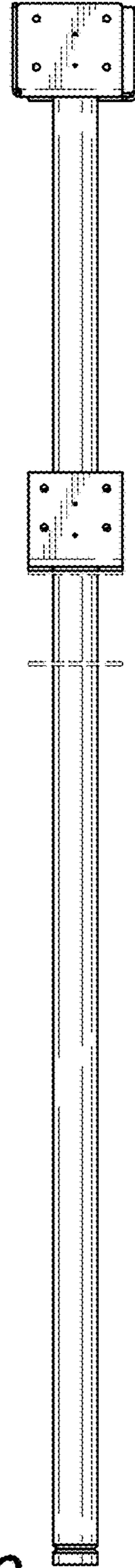




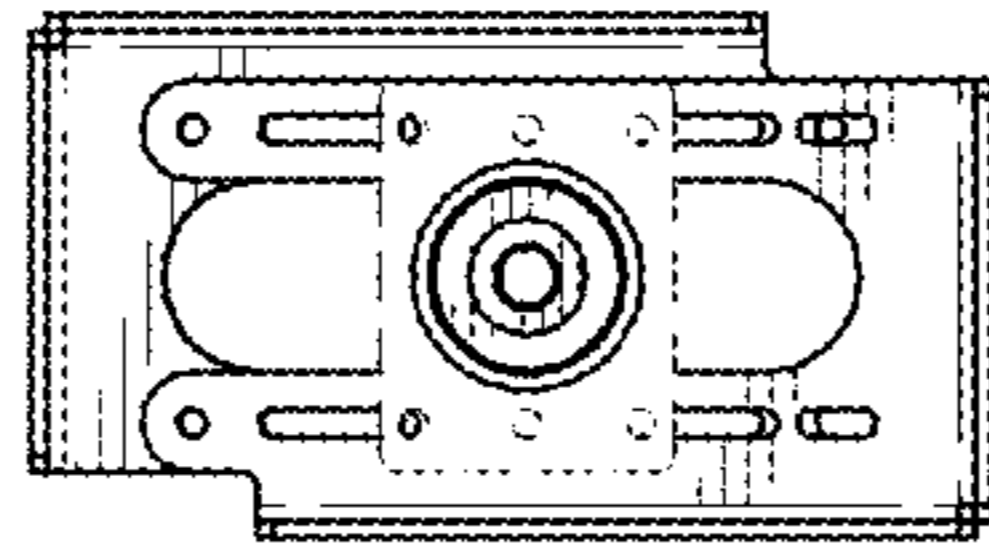
**FIG. 4**



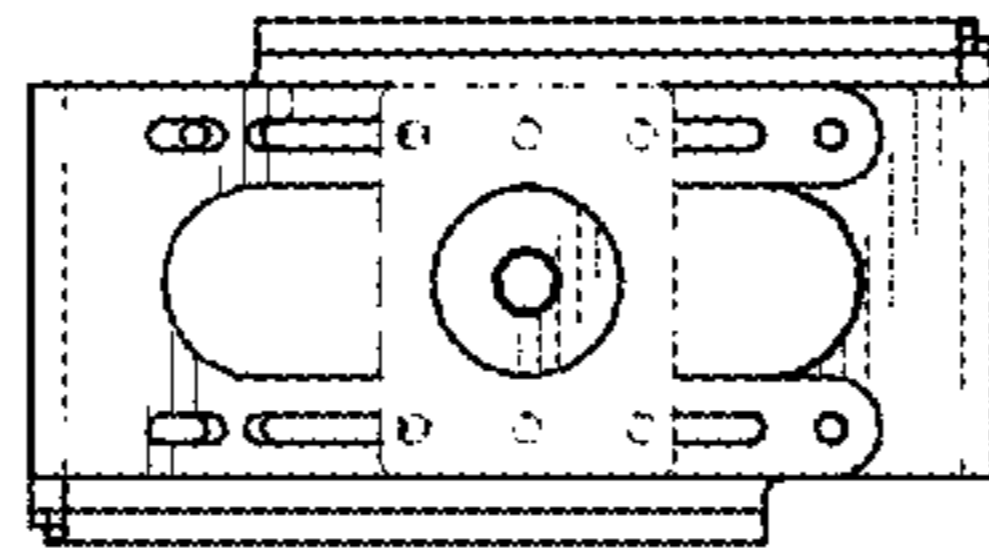
**FIG. 5**



**FIG. 6**



**FIG. 7**



**FIG. 8**

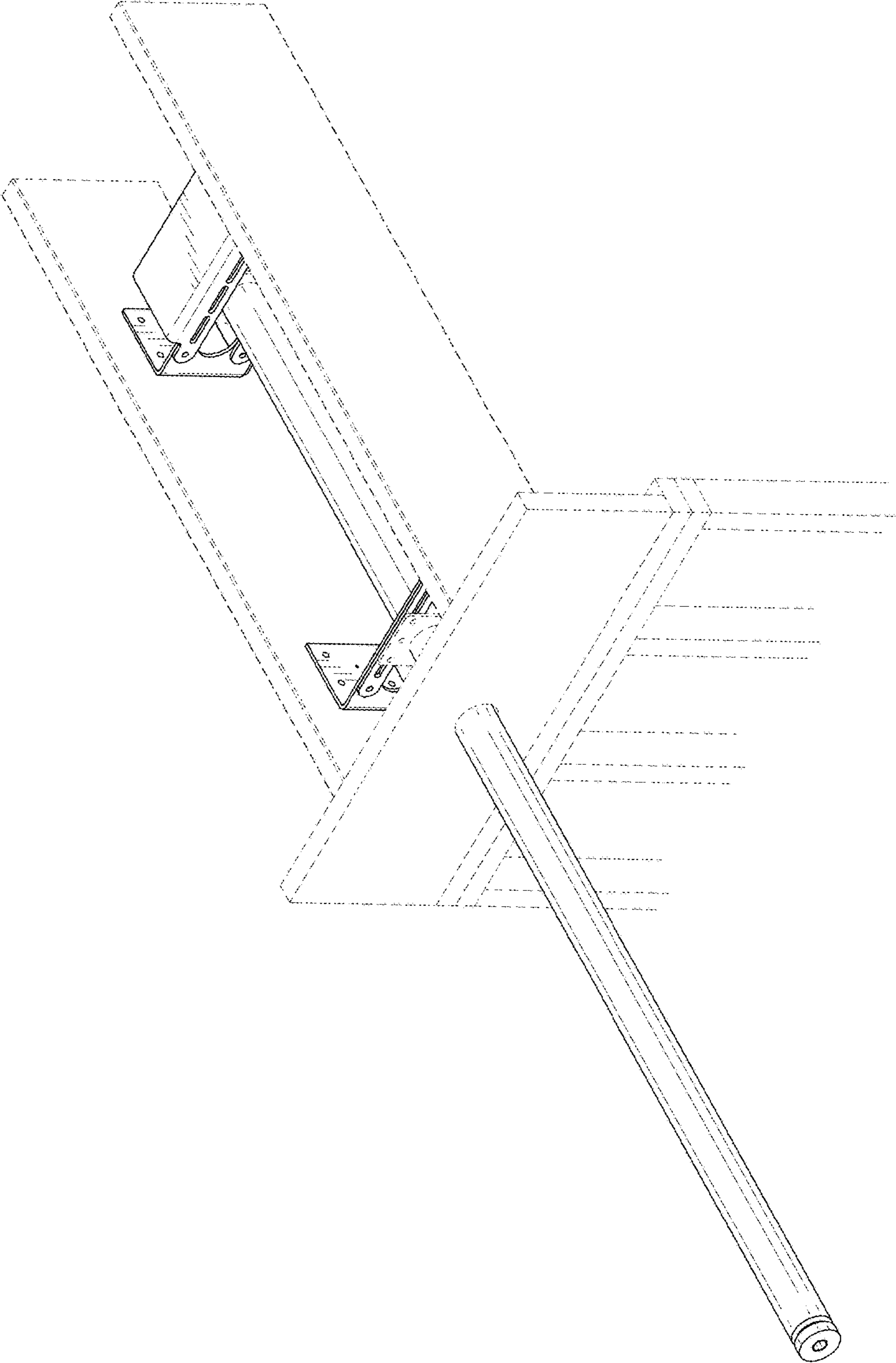


FIG. 9