



US00D821855S

(12) **United States Design Patent**  
**Liao**

(10) **Patent No.:** **US D821,855 S**  
(45) **Date of Patent:** **\*\* Jul. 3, 2018**

- (54) **HOSE SLIDE**
- (71) Applicant: **Eric Liao**, Taichung (TW)
- (72) Inventor: **Eric Liao**, Taichung (TW)
- (\*\*) Term: **15 Years**
- (21) Appl. No.: **29/610,603**
- (22) Filed: **Jul. 13, 2017**
- (51) **LOC (11) Cl.** ..... **09-06**
- (52) **U.S. Cl.**  
USPC ..... **D8/356; D12/217**
- (58) **Field of Classification Search**  
USPC ..... D8/360, 356, 354, 349; 361/826;  
D12/217  
CPC ..... A63B 29/00; A63B 27/00; B63B 59/02;  
B63B 21/045; H05K 5/0247  
See application file for complete search history.

- D687,546 S \* 8/2013 Baid ..... D24/128
- D769,105 S \* 10/2016 Tomney ..... D12/217
- 9,624,067 B1 \* 4/2017 Tomney ..... B65H 57/02
- D801,152 S \* 10/2017 Bishop ..... D8/356
- D808,775 S \* 1/2018 Ruddick ..... D8/356
- D808,776 S \* 1/2018 Ruddick ..... D8/356
- D808,777 S \* 1/2018 Ruddick ..... D8/356
- 2002/0121571 A1 \* 9/2002 Ferris ..... G02B 6/4459  
242/615
- 2013/0193262 A1 \* 8/2013 Torres ..... B65H 57/04  
242/615.2

\* cited by examiner

*Primary Examiner* — Cynthia R Underwood  
(74) *Attorney, Agent, or Firm* — Wang Law Firm, Inc.

(57) **CLAIM**

The ornamental design for a hose slide, as shown.

**DESCRIPTION**

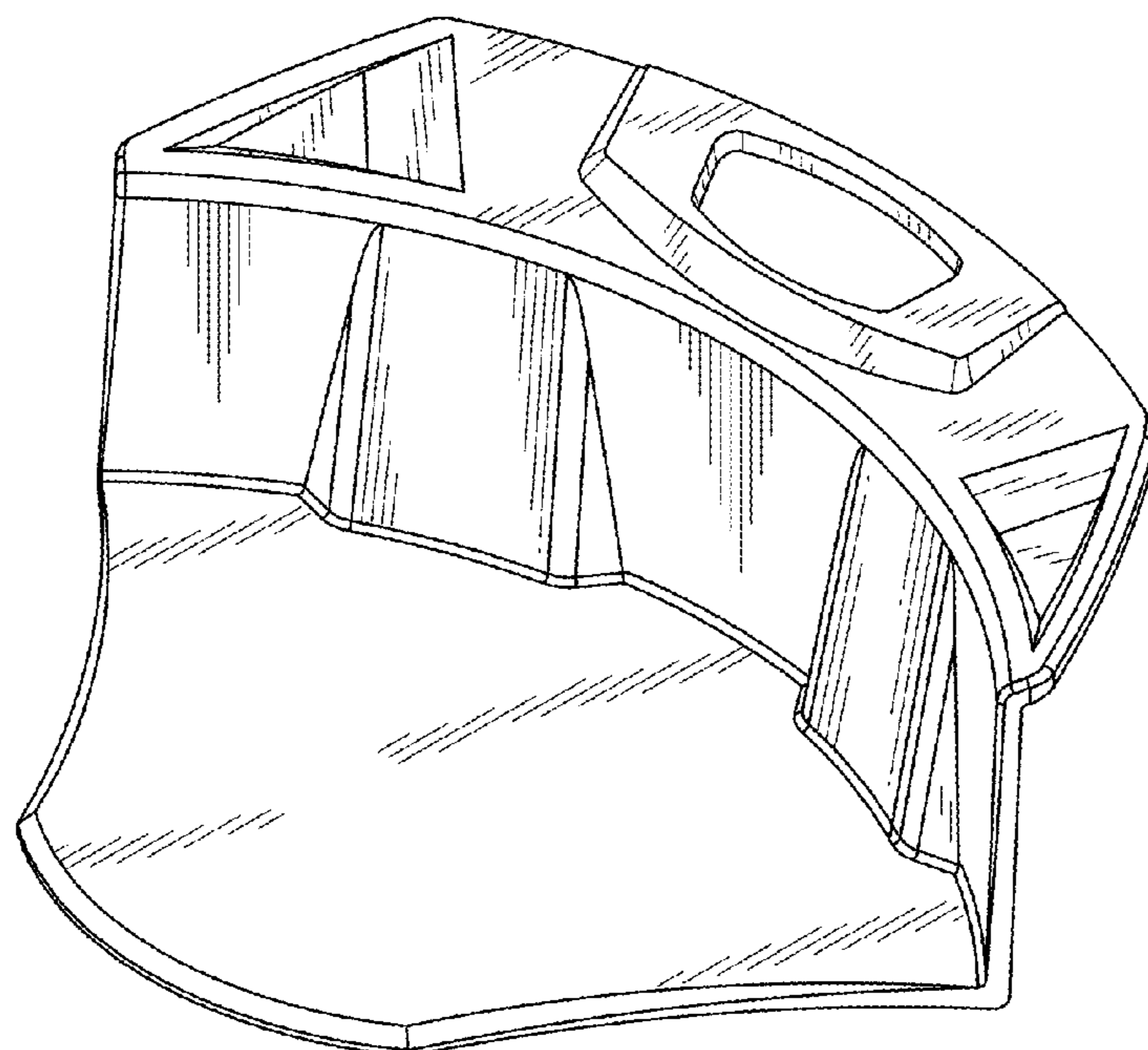
FIG. 1 is a perspective view of a hose slide in accordance with the present invention;  
 FIG. 2 is a front view thereof;  
 FIG. 3 is a rear view thereof;  
 FIG. 4 is a left view thereof;  
 FIG. 5 is a right view thereof;  
 FIG. 6 is a top view thereof;  
 FIG. 7 is a bottom view thereof;  
 FIG. 8 is another perspective view; and,  
 FIG. 9 is a perspective view, showing the hose slide being installed under a tire, and a hose passing around the hose slide.  
 The broken lines depict environment that form no part of the claim.

**1 Claim, 6 Drawing Sheets**

(56) **References Cited**

U.S. PATENT DOCUMENTS

- 5,427,339 A \* 6/1995 Pauli ..... B05B 15/00  
188/32
- 6,598,826 B1 \* 7/2003 Therriault ..... B60S 5/04  
242/157 R
- 6,622,960 B2 \* 9/2003 Hyde ..... B65H 57/00  
137/377
- D492,928 S \* 7/2004 Pond ..... D12/217
- D571,190 S \* 6/2008 Spadotto ..... B65H 75/366  
D8/356
- D621,692 S \* 8/2010 Clarke ..... D8/354
- D622,927 S \* 9/2010 Griebel ..... D1/122
- D639,147 S \* 6/2011 Surles ..... D8/356



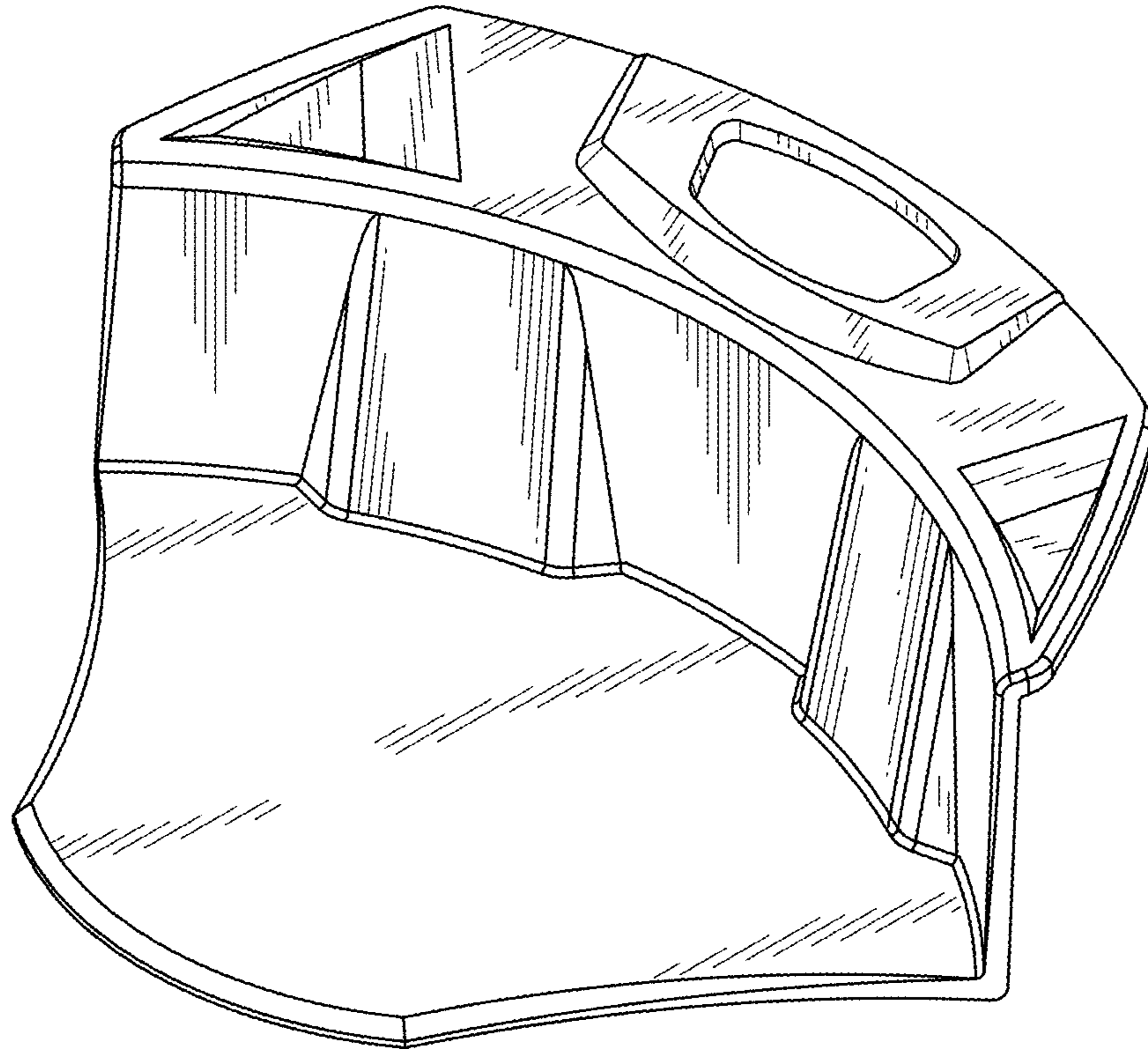


FIG.1

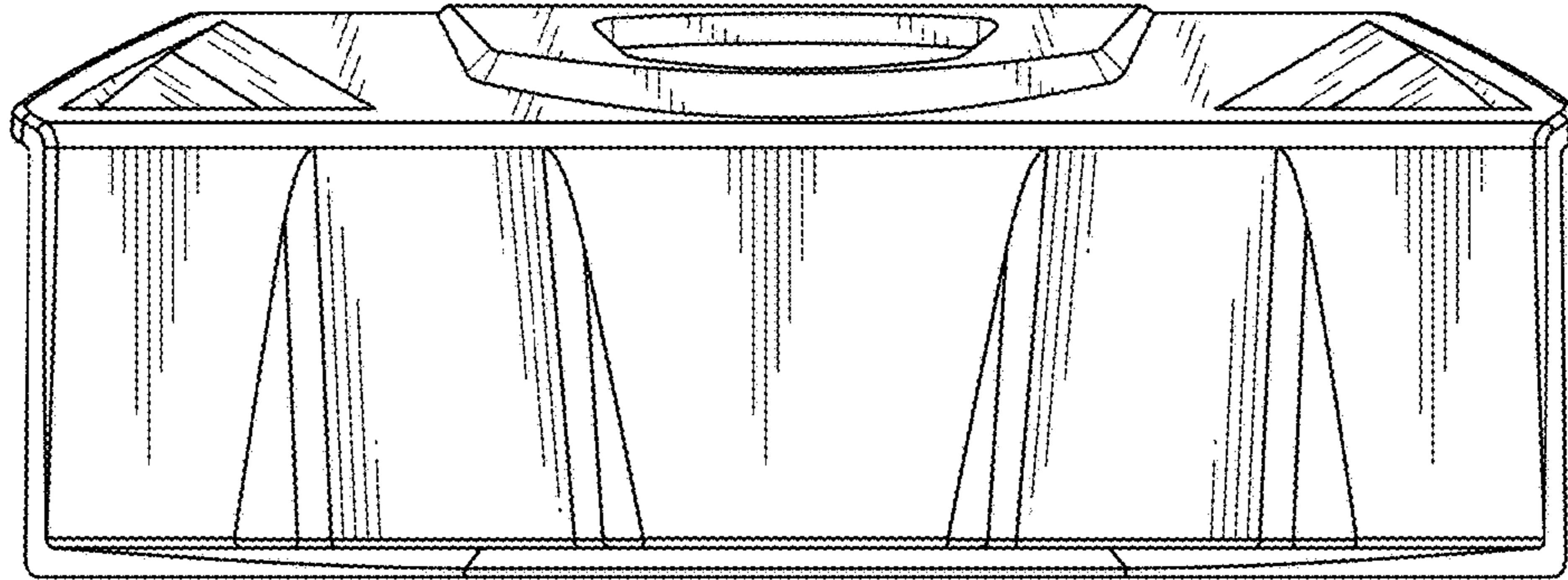


FIG. 2

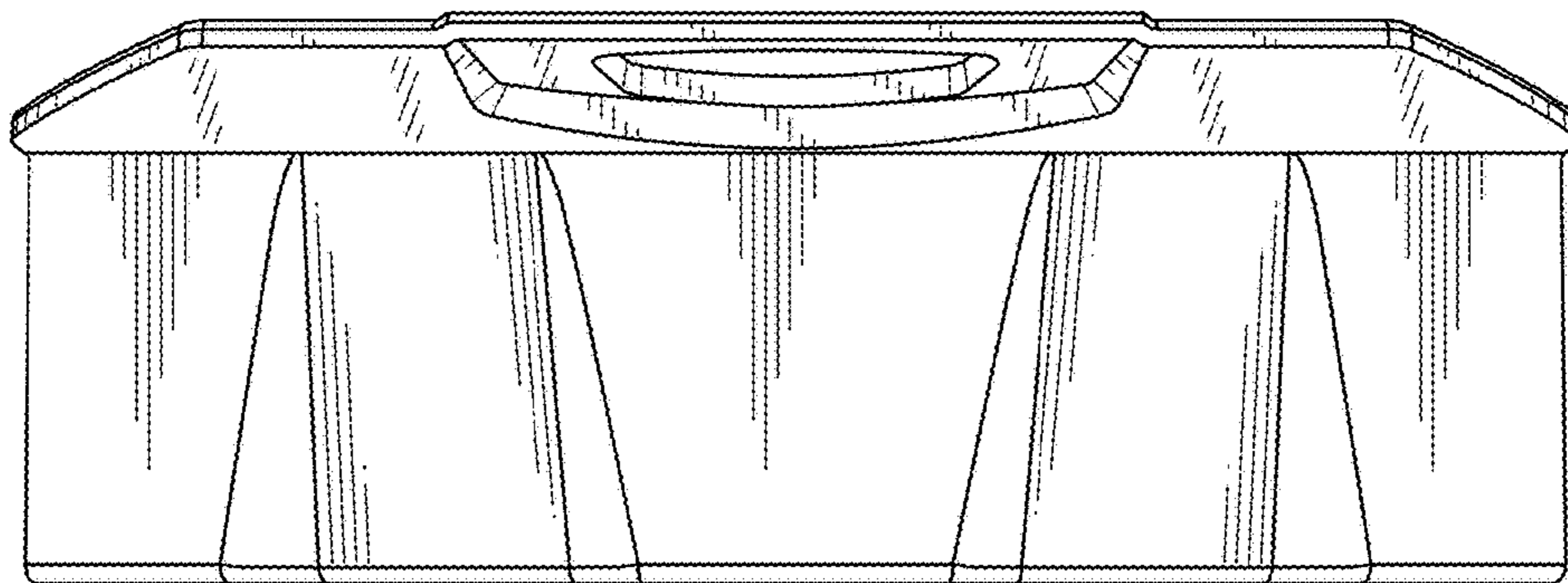


FIG. 3

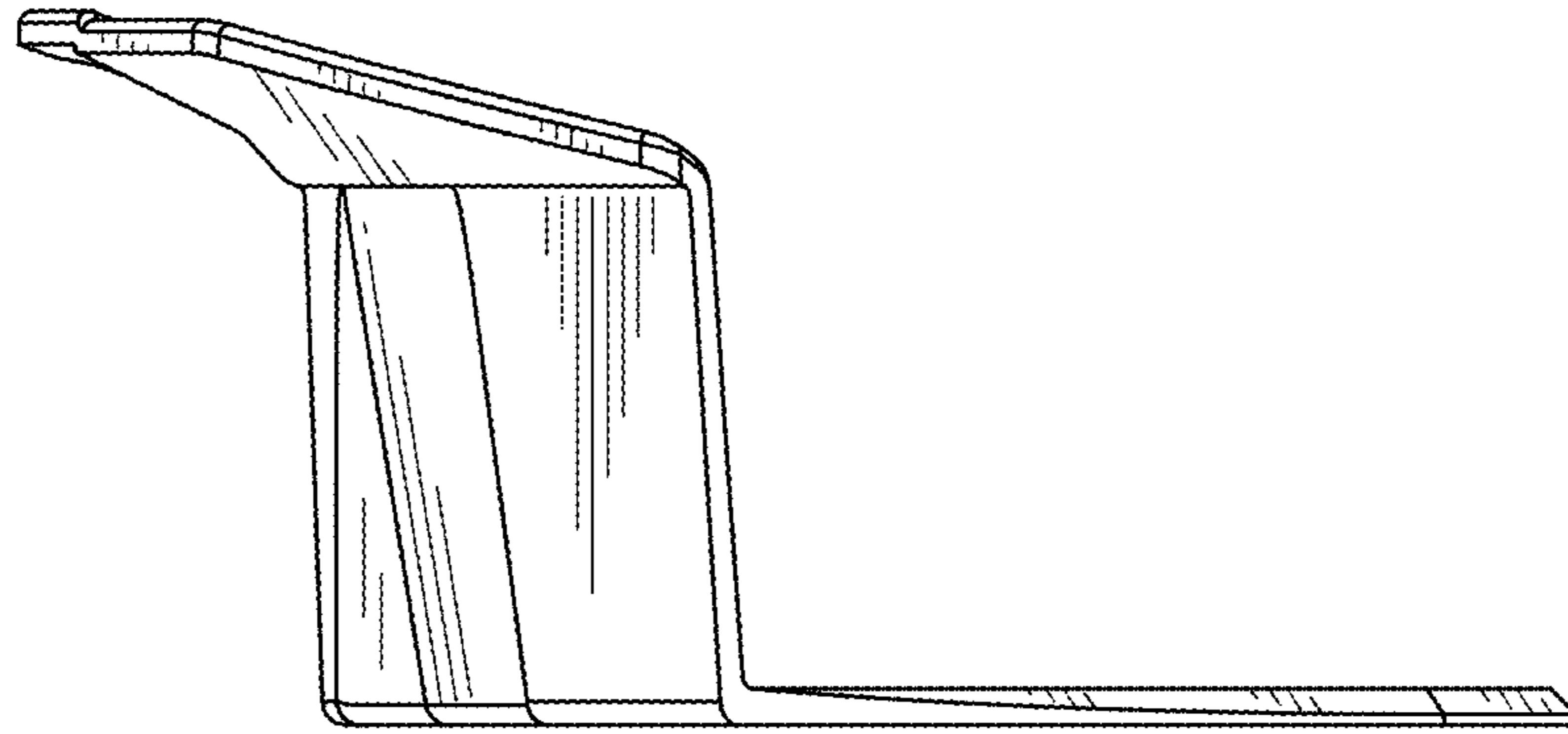


FIG. 4

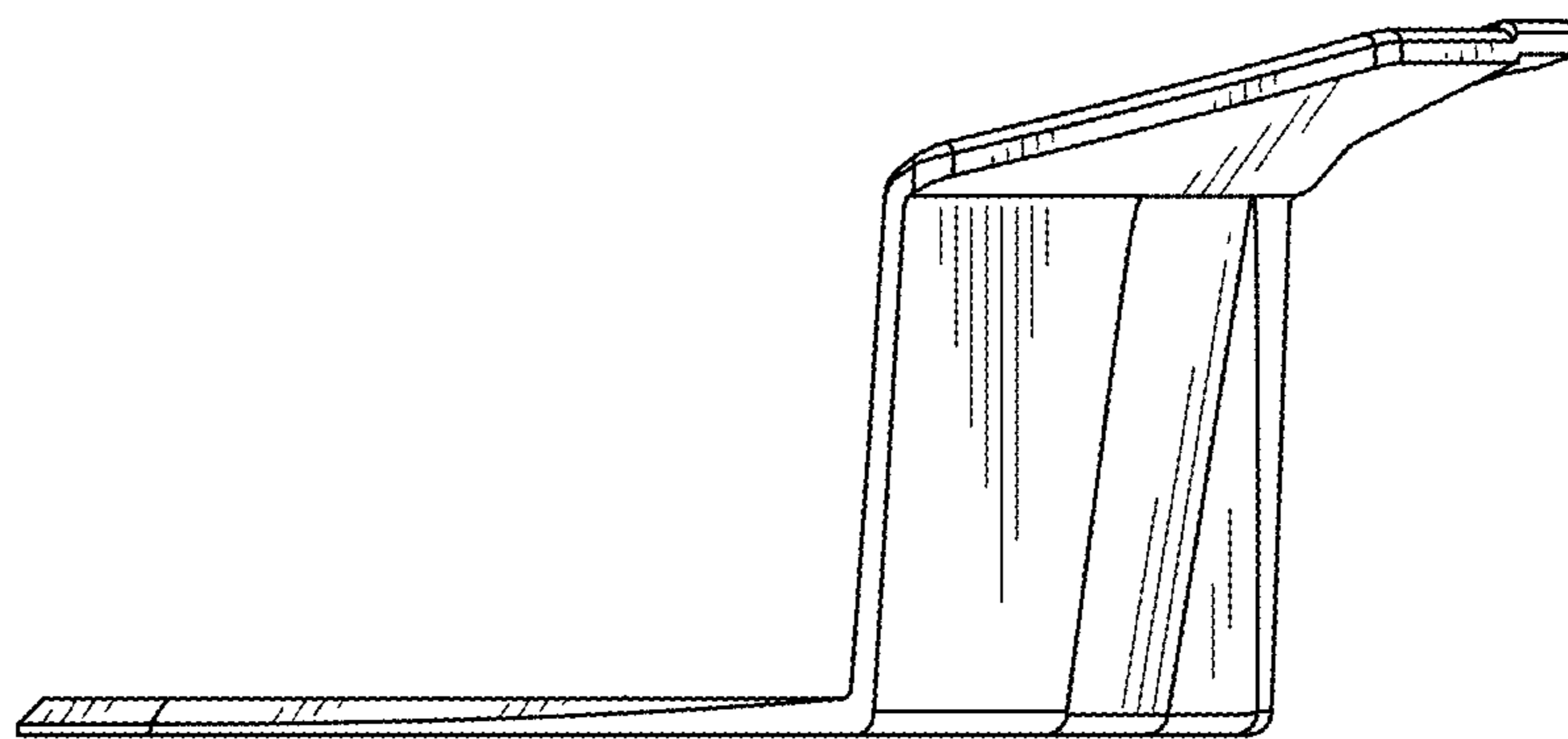


FIG. 5

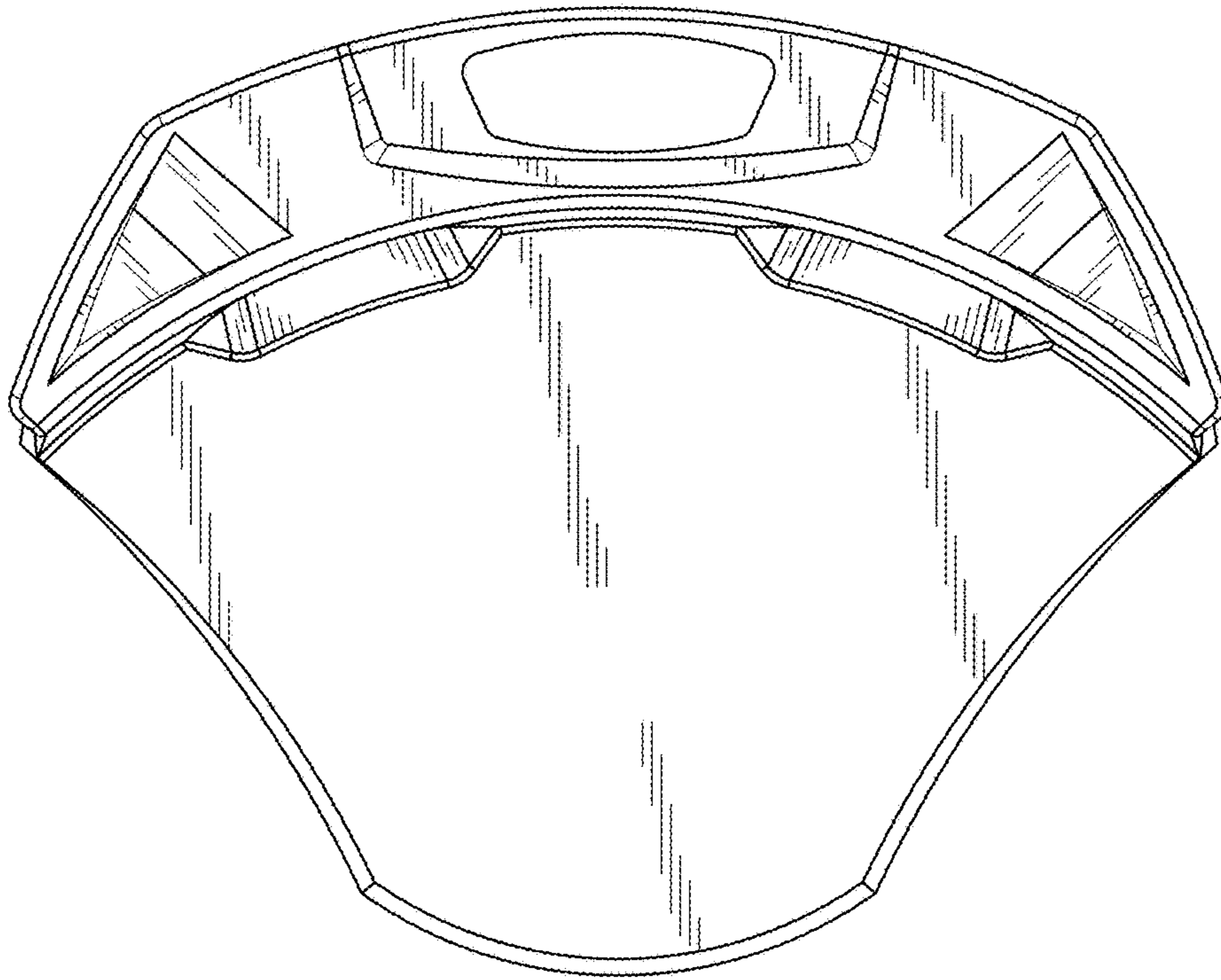


FIG. 6

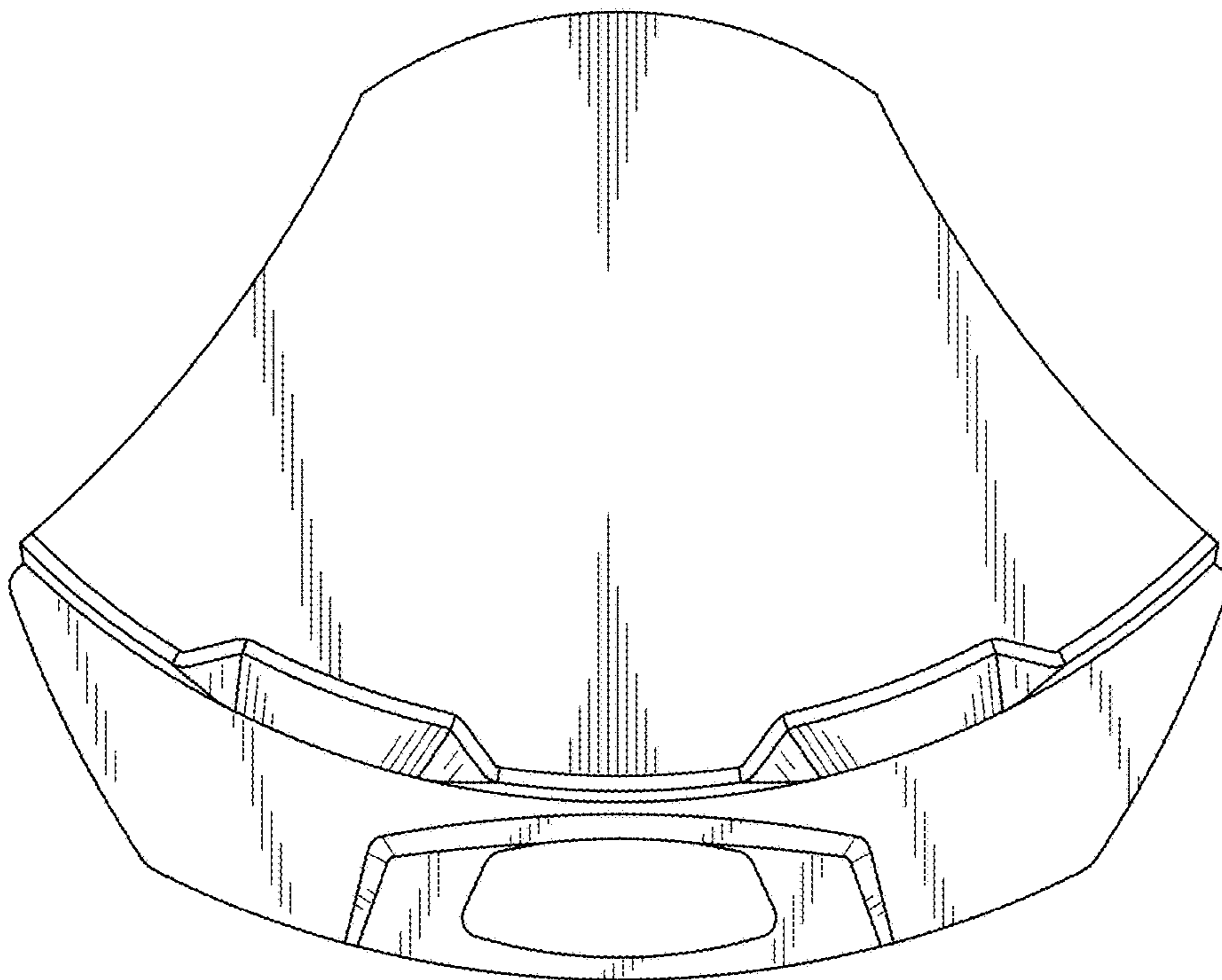


FIG. 7

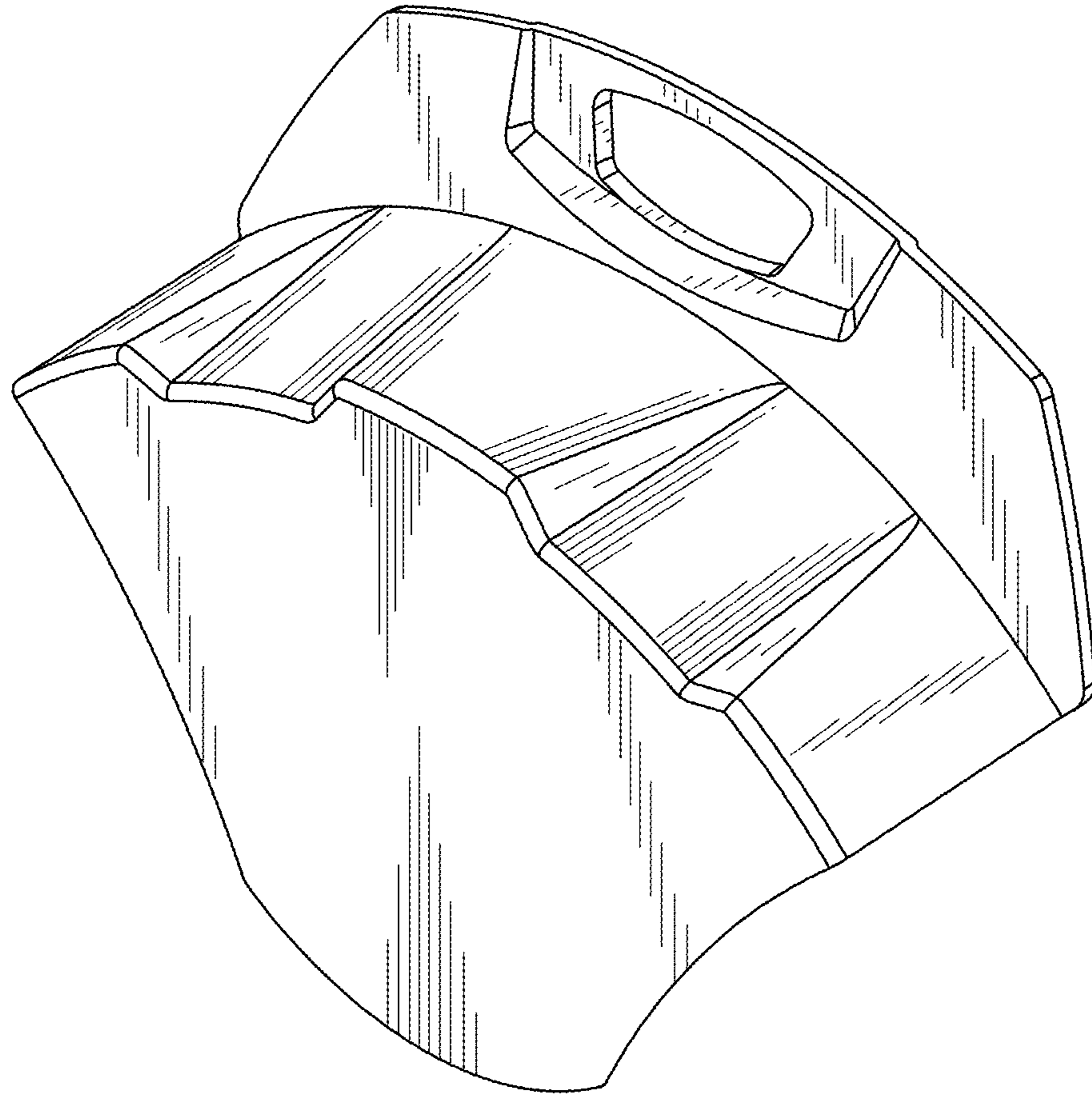


FIG.8

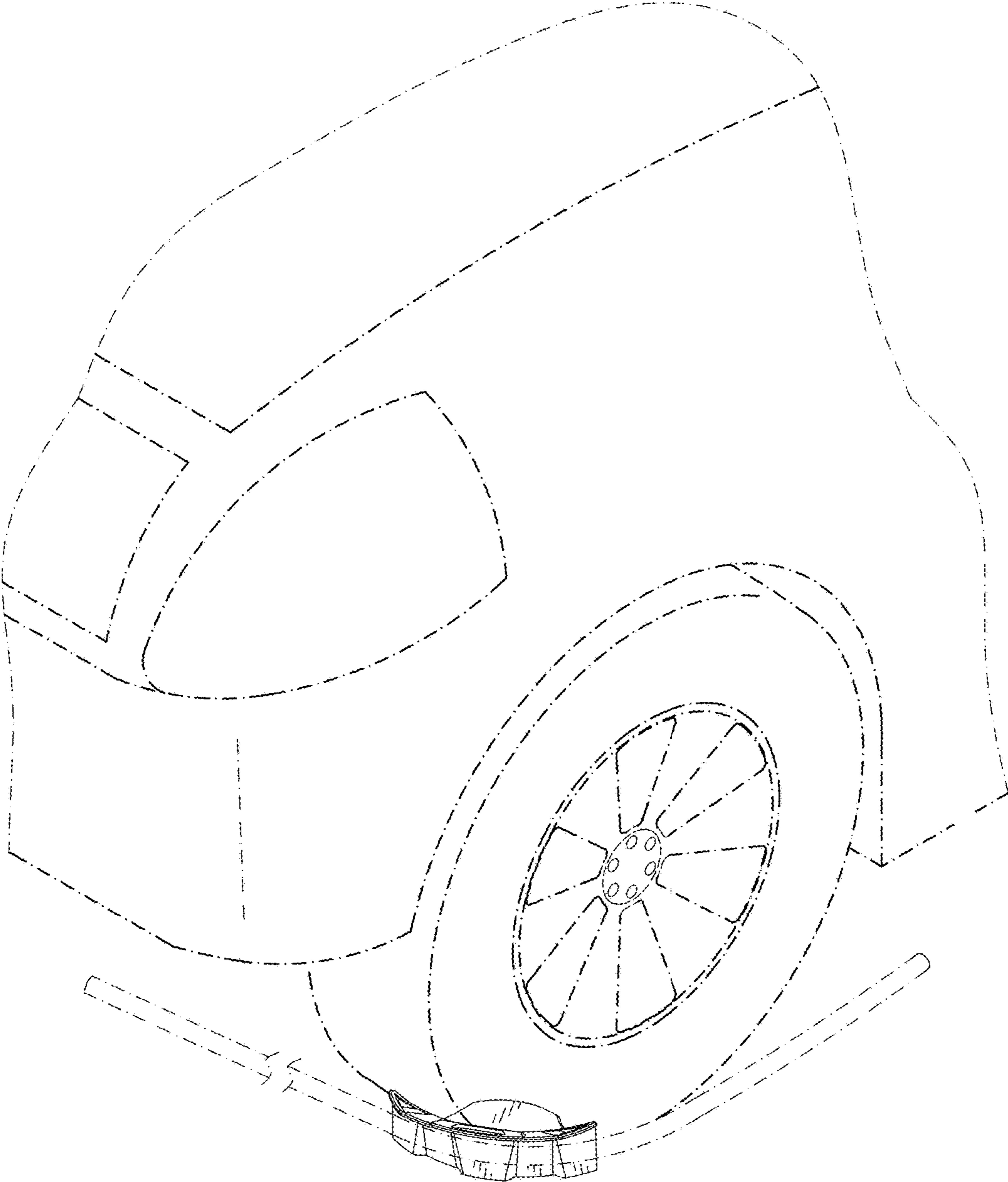


FIG.9