



US00D821853S

(12) **United States Design Patent**
Mikkelsen

(10) **Patent No.:** **US D821,853 S**
(45) **Date of Patent:** **** Jul. 3, 2018**

(54) **BRACKET**

(71) Applicant: **Lars Mikkelsen**, Horsens (DK)

(72) Inventor: **Lars Mikkelsen**, Horsens (DK)

(**) Term: **15 Years**

(21) Appl. No.: **35/502,523**

(22) Filed: **Feb. 14, 2017**

(80) **Hague Agreement Data**

Int. Filing Date: **Feb. 14, 2017**

Int. Reg. No.: **DM/094803**

Int. Reg. Date: **Feb. 14, 2017**

Int. Reg. Pub. Date: **Mar. 3, 2017**

(51) **LOC (11) Cl.** **08-05**

(52) **U.S. Cl.**
USPC **D8/354**

(58) **Field of Classification Search**
USPC D8/5, 349, 354, 353, 373, 380, 394;
D25/126, 133; D12/223
CPC E04B 2001/2644; E04B 1/2612; E04B
1/2608; E06B 9/323; F16M 13/00; A47B
96/061

See application file for complete search history.

(56) **References Cited**

U.S. PATENT DOCUMENTS

D258,744 S *	3/1981	Ruga	D21/484
D276,980 S *	1/1985	Ahlund	D8/354
4,515,338 A *	5/1985	Schneider	A47G 1/162 248/460
D282,145 S *	1/1986	Cole	D8/373
D315,489 S *	3/1991	Hoffman	52/126.6
D386,387 S *	11/1997	Rausch	D8/349
D397,927 S *	9/1998	Roy	D8/373

D432,903 S *	10/2000	Cohen	D8/373
D437,770 S *	2/2001	Garske	D8/349
D443,499 S *	6/2001	Gretz	D8/349
D548,048 S *	8/2007	Sherrard	D8/349
D557,117 S *	12/2007	Cannaverde	D8/354
D560,471 S *	1/2008	Short	D8/354
D587,559 S *	3/2009	Jones	D8/349
D620,342 S *	7/2010	Mikkelsen	D8/354
D624,804 S *	10/2010	Wellard	D8/354
D630,930 S *	1/2011	Jones	D8/349
D642,046 S *	7/2011	Gooden	D8/382
D653,523 S *	2/2012	Wackwitz	D15/138
D719,437 S *	12/2014	Atkins	D8/349
D721,262 S *	1/2015	Parham	D8/354
D739,217 S *	9/2015	Wu	D8/380
D775,743 S *	1/2017	Mort	D25/139
D795,467 S *	8/2017	Mort	D25/102
D805,886 S *	12/2017	Shackleford	D8/389
2004/0031902 A1 *	2/2004	Davis, Jr.	F16M 7/00 248/519

* cited by examiner

Primary Examiner — Barbara Fox
Assistant Examiner — Dana K Weiland

(57) **CLAIM**

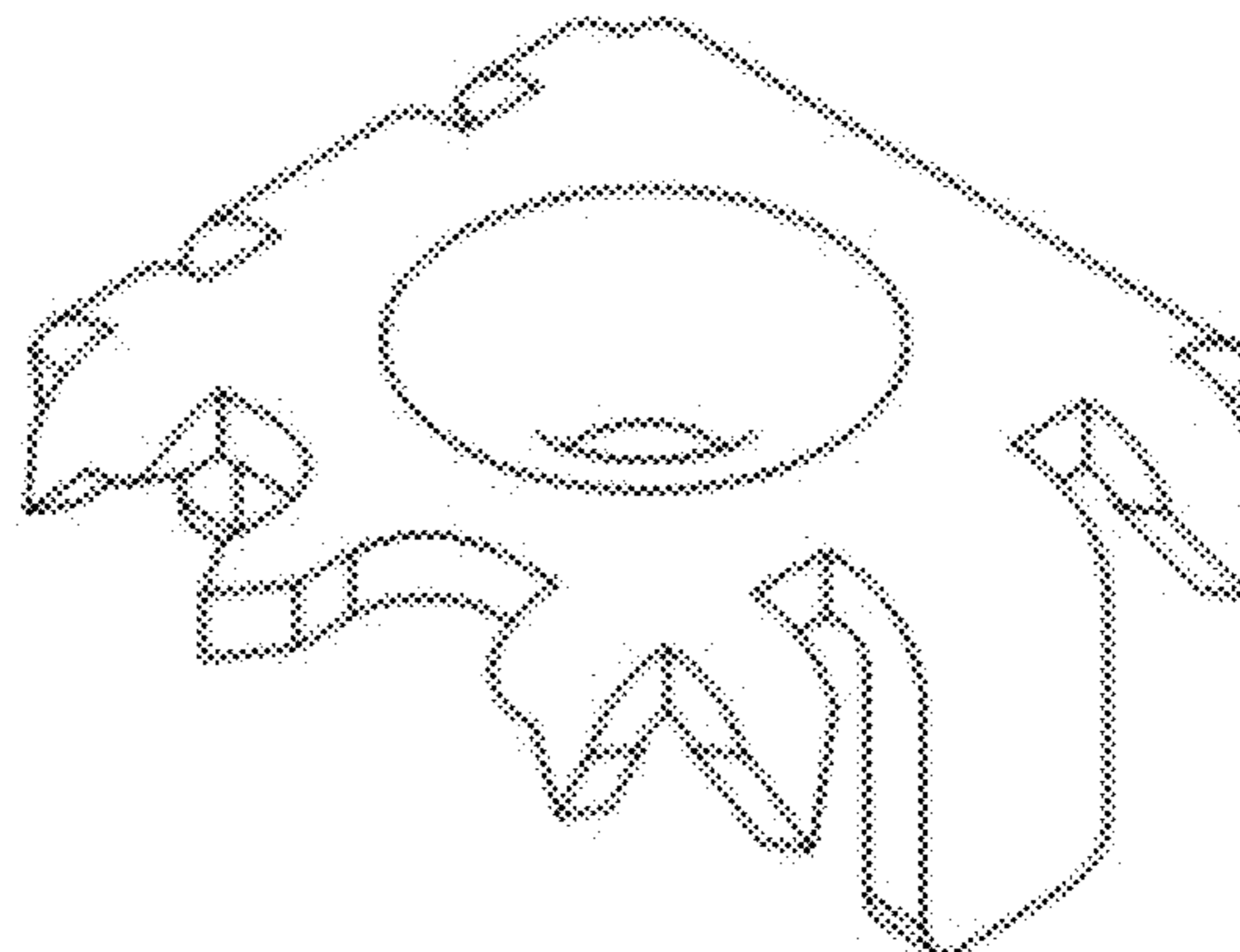
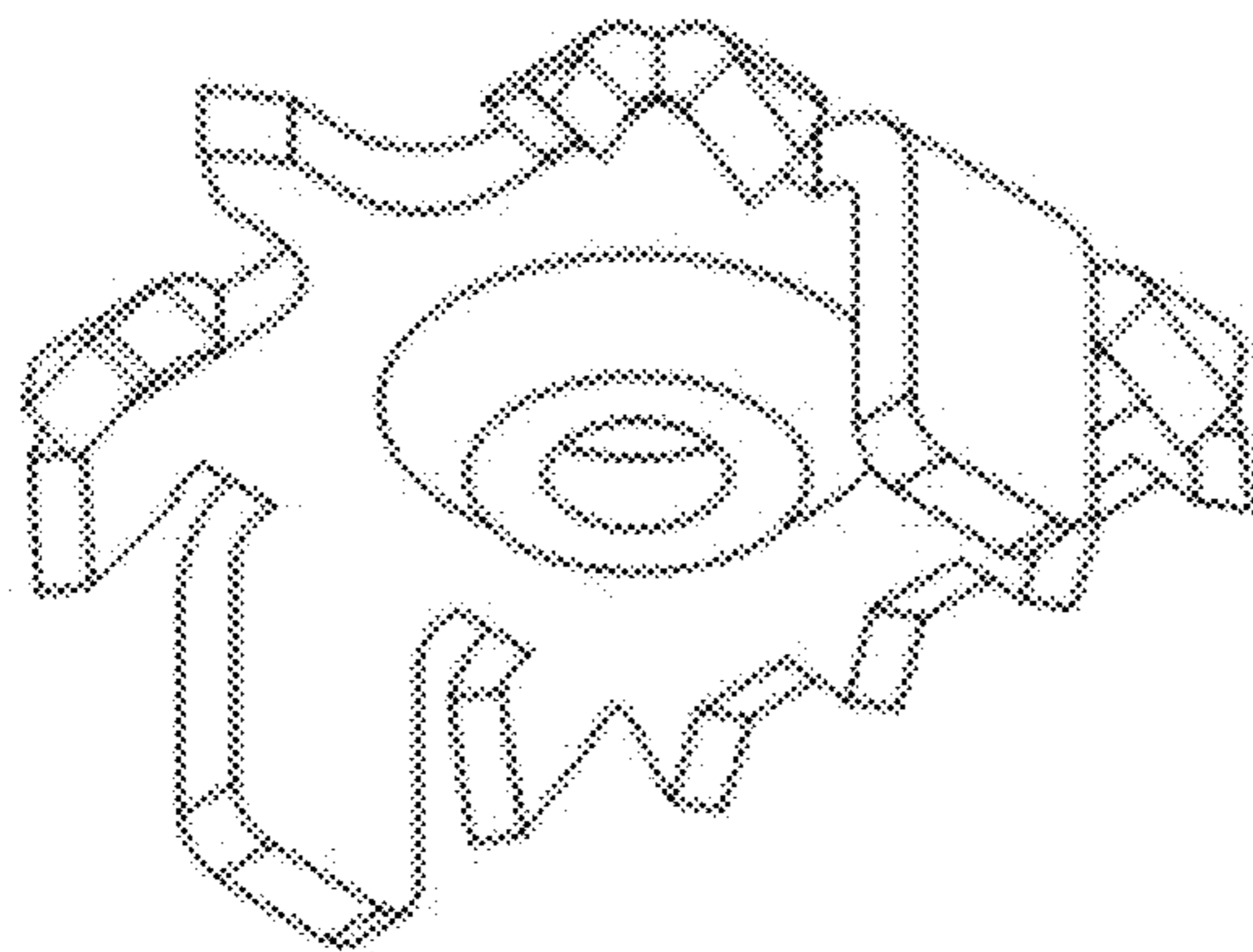
The ornamental design for a bracket, as shown and described.

DESCRIPTION

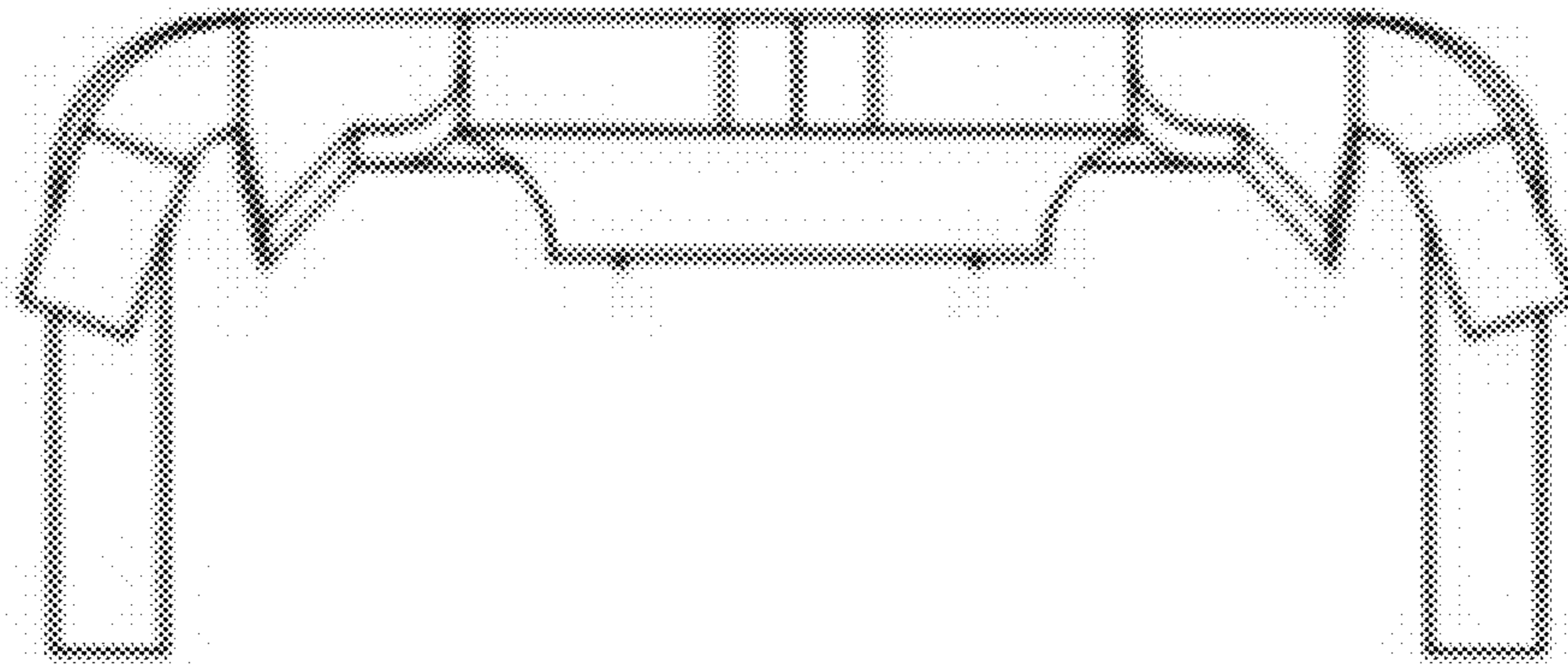
- 1. Bracket
- 1.1 : Front
- 1.2 : Right
- 1.3 : Left
- 1.4 : Bottom
- 1.5 : Perspective
- 1.6 : Perspective

The bracket of the claimed design is for a fitting for floor covering.

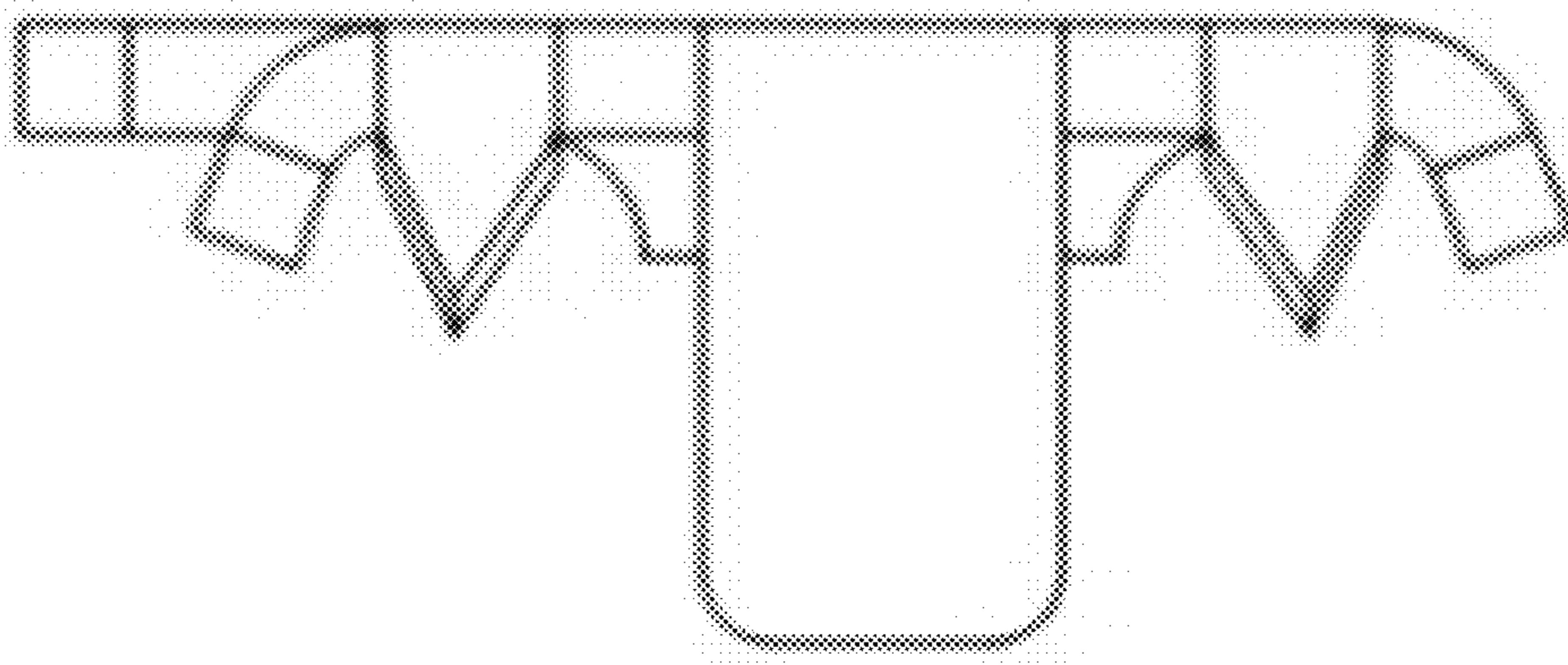
1 Claim, 6 Drawing Sheets



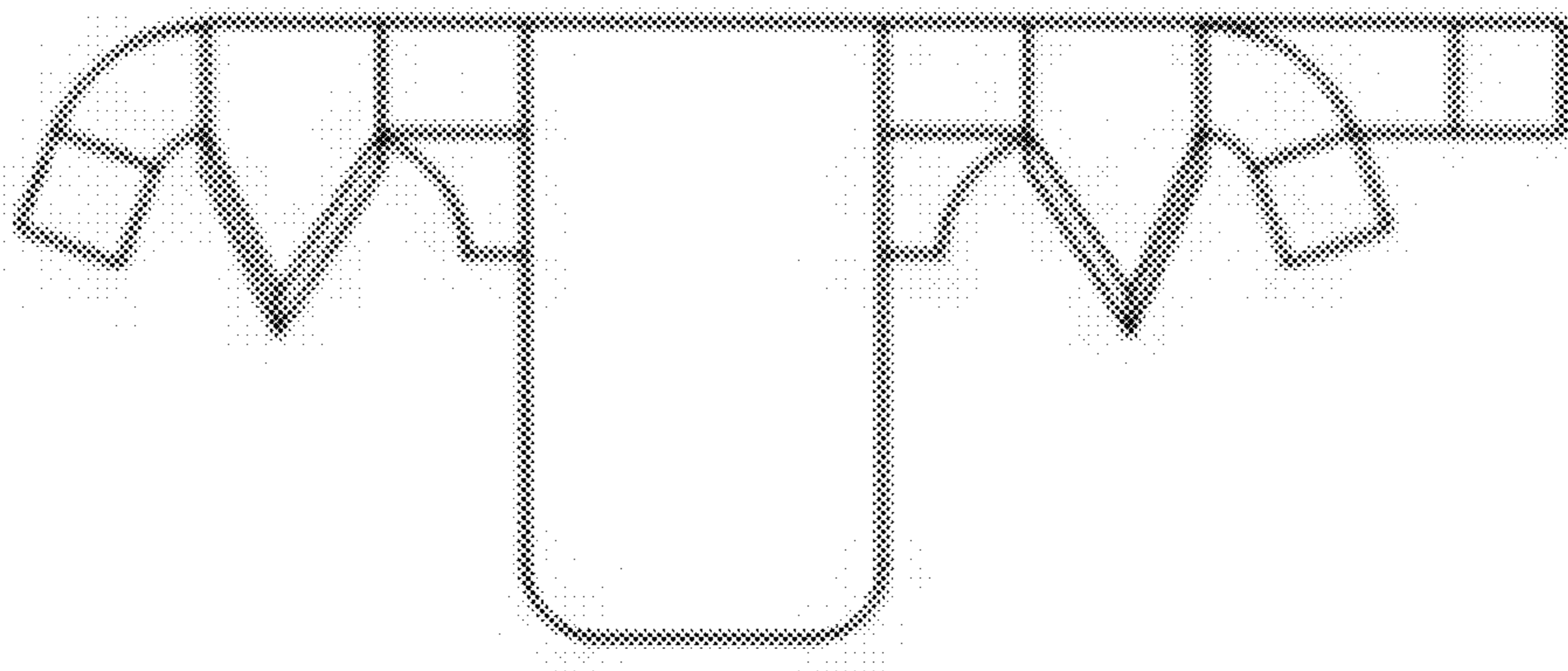
1.1



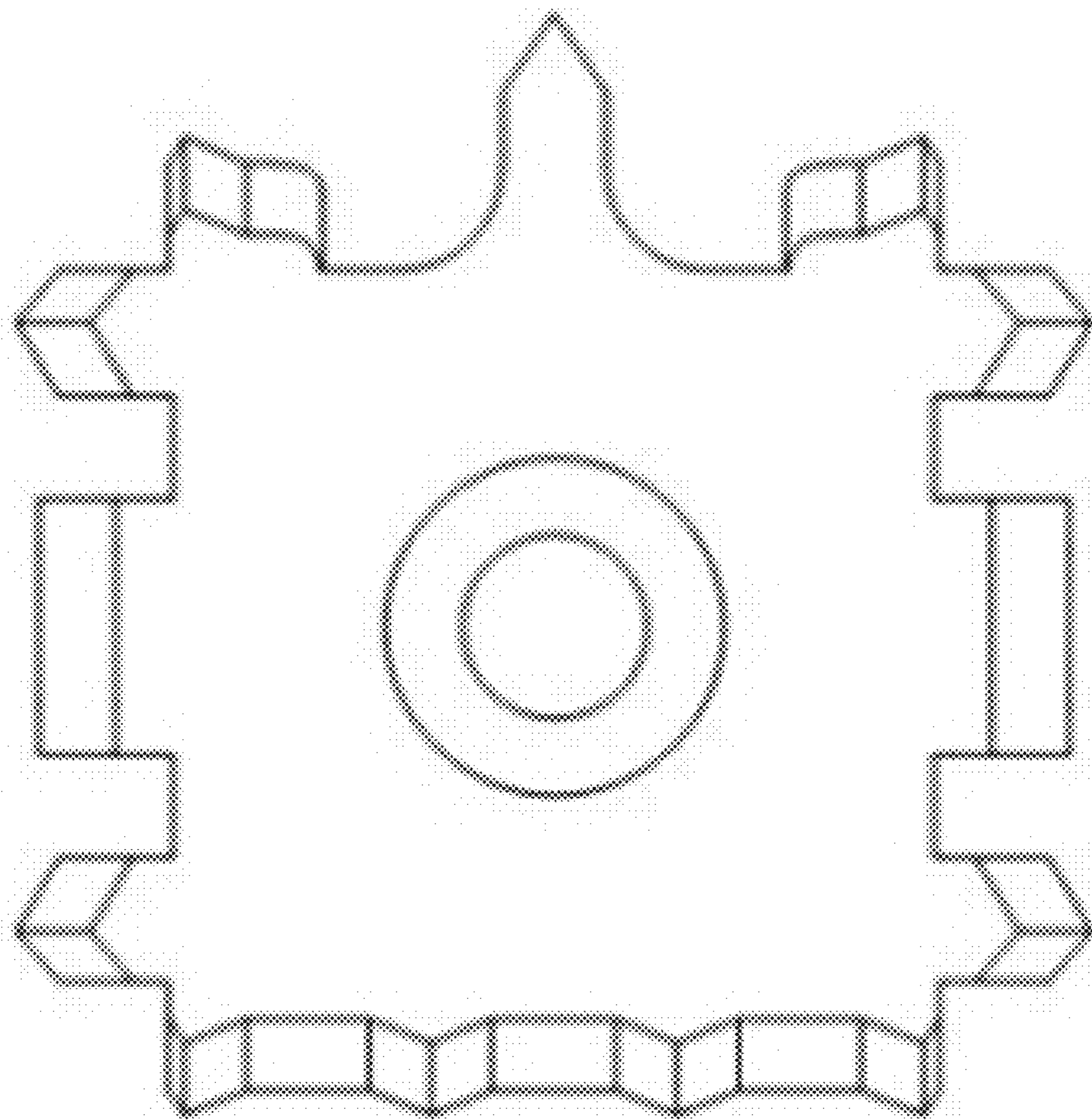
1.2



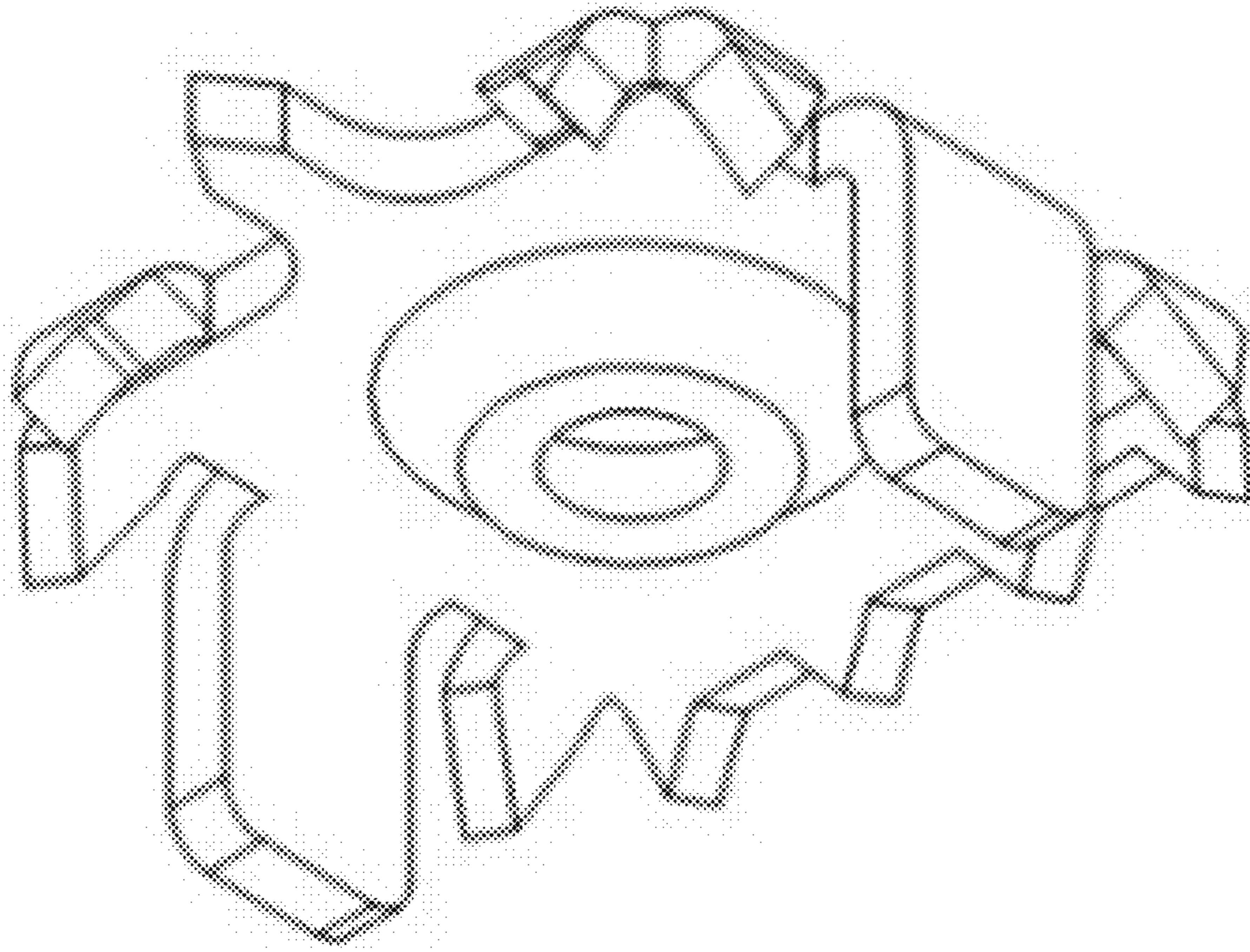
1.3



1.4



1.5



1.6

