



US00D821849S

(12) **United States Design Patent**
Nikayin et al.

(10) **Patent No.:** **US D821,849 S**
(45) **Date of Patent:** **** Jul. 3, 2018**

(54) **SUPPORT BRACKET KIT WITH MOUNTING ADAPTERS**

7,439,443 B2 * 10/2008 Dinh H02G 3/126
174/481

(71) Applicants: **Saeed Nikayin**, Los Angeles, CA (US);
Kai Zhang, Los Angeles, CA (US);
Gilbert Loera, Los Angeles, CA (US);
Andrew Choi, Los Angeles, CA (US)

7,582,829 B2 9/2009 Yan
7,645,936 B2 1/2010 Magno, Jr.
7,798,458 B2 * 9/2010 Borbolla H02G 3/086
248/300
7,902,457 B2 * 3/2011 Johnson H02G 3/126
174/57

(72) Inventors: **Saeed Nikayin**, Los Angeles, CA (US);
Kai Zhang, Los Angeles, CA (US);
Gilbert Loera, Los Angeles, CA (US);
Andrew Choi, Los Angeles, CA (US)

D676,814 S 2/2013 Paul
8,403,289 B1 * 3/2013 Rinderer H02G 3/126
174/480

(**) Term: **14 Years**

D698,737 S * 2/2014 Hagarty D13/156
9,083,166 B2 * 7/2015 Gagne H02G 3/086
D745,466 S * 12/2015 Hagarty D13/153
9,362,730 B2 * 6/2016 Petak H02G 3/121
D766,186 S * 9/2016 Hagarty D13/152
9,564,744 B2 * 2/2017 Jaffari H02G 3/128
9,653,899 B2 * 5/2017 Salian H02G 3/121

(21) Appl. No.: **29/526,549**

(Continued)

(22) Filed: **May 11, 2015**

Primary Examiner — Lakiya G Rogers

(51) **LOC (11) Cl.** **08-05**

Assistant Examiner — Harold E Blackwell, II

(52) **U.S. Cl.**
USPC **D8/354**

(74) *Attorney, Agent, or Firm* — Kirk A. Buhler; Buhler & Associates

(58) **Field of Classification Search**
USPC D8/354, 355, 353; 248/201
CPC H02G 3/125; H02G 3/126; H02G 3/128
See application file for complete search history.

(57) **CLAIM**

The ornamental design for a support bracket kit with mounting adapters, as shown and described.

(56) **References Cited**

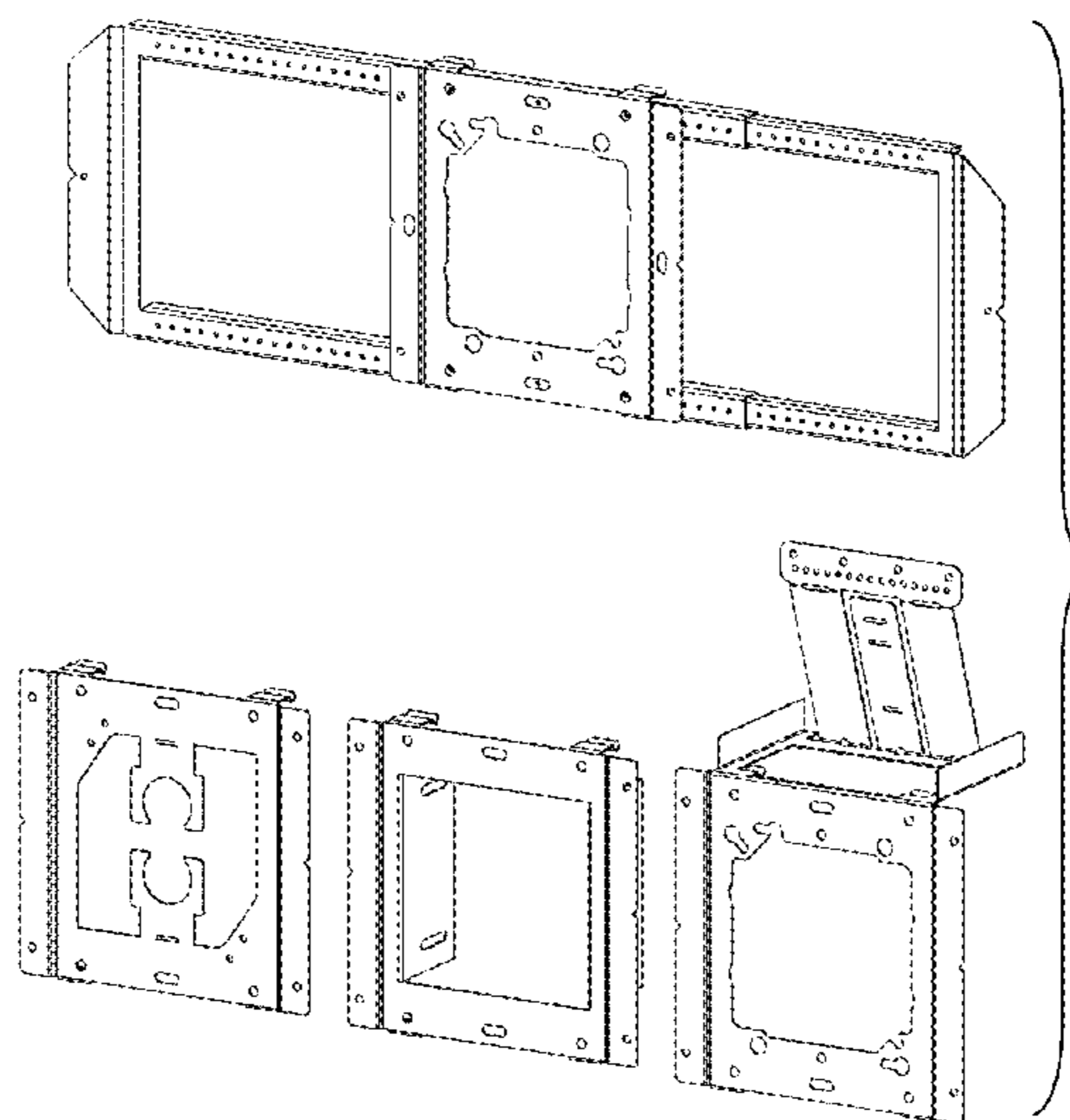
DESCRIPTION

U.S. PATENT DOCUMENTS

- 1,264,450 A 4/1918 Sweet
- 4,051,322 A 9/1977 Park
- 4,135,337 A * 1/1979 Medlin H02G 3/125
220/3.3
- 5,263,676 A * 11/1993 Medlin, Jr. H02G 3/126
220/3.6
- 5,936,200 A 8/1999 Park
- 6,232,553 B1 5/2001 Regen
- 6,323,424 B1 * 11/2001 He H02G 3/18
174/58
- D507,539 S 7/2005 Hull
- 7,053,300 B2 * 5/2006 Denier H02G 3/18
174/50
- D579,417 S 10/2008 Stuckmann et al.

FIG. 1 is a front perspective view shown in an environment of use for a support bracket kit with mounting adapters showing my new design;
FIG. 2 is a front side view thereof;
FIG. 3 is a top side view thereof;
FIG. 4 is a bottom side view thereof;
FIG. 5 is a rear side view thereof;
FIG. 6 is a left side view thereof; and,
FIG. 7 is a right view thereof.

1 Claim, 5 Drawing Sheets



(56)

References Cited

U.S. PATENT DOCUMENTS

D801,914 S *	11/2017	Bauer	D13/102
D801,915 S *	11/2017	Bauer	D13/102
D803,665 S *	11/2017	Vrame	D8/354
2010/0006723 A1 *	1/2010	Yan	H02G 3/125
				248/201
2016/0099555 A1 *	4/2016	Nikayin	H02G 3/125
				248/74.2

* cited by examiner

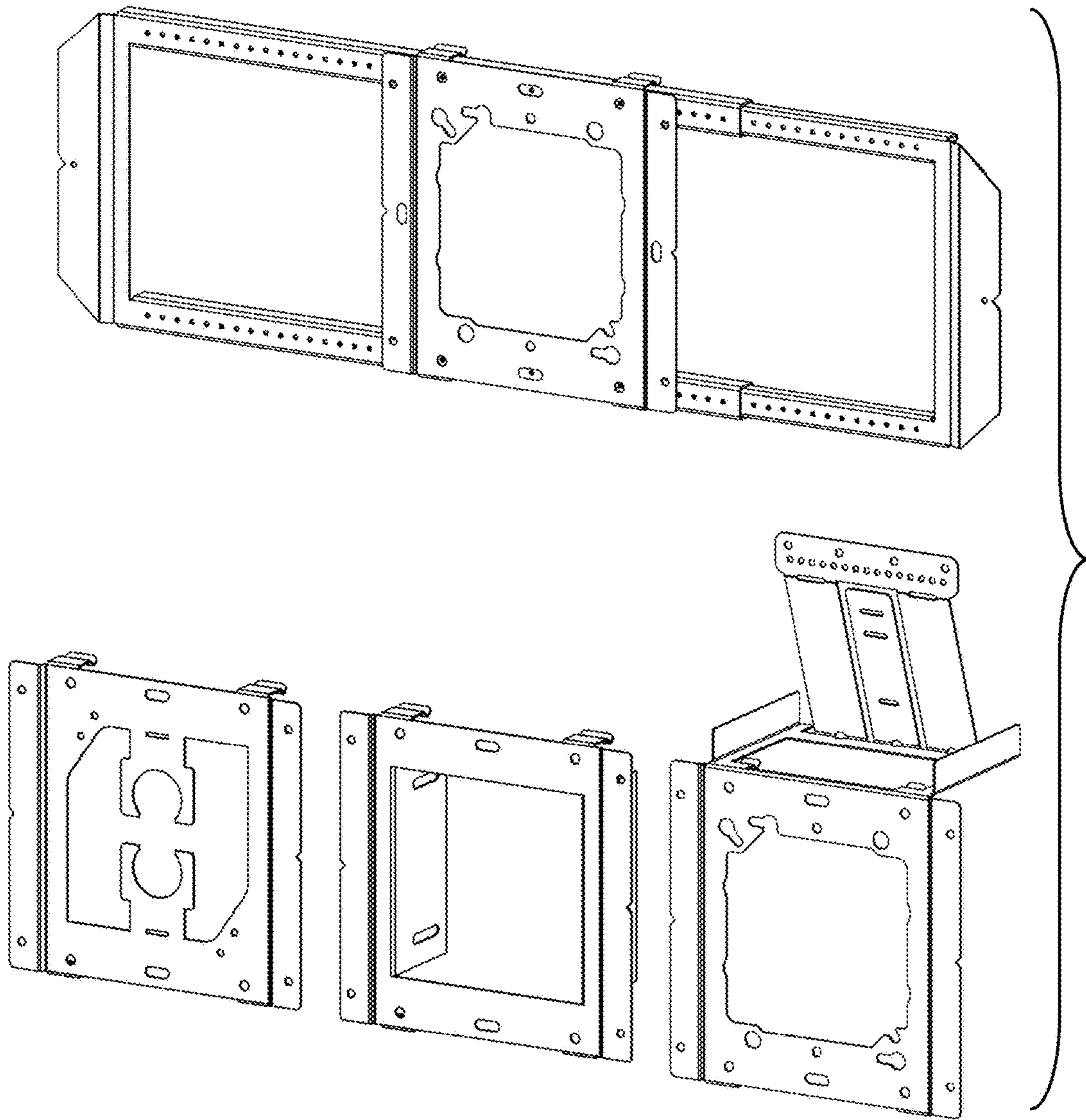


FIG. 1

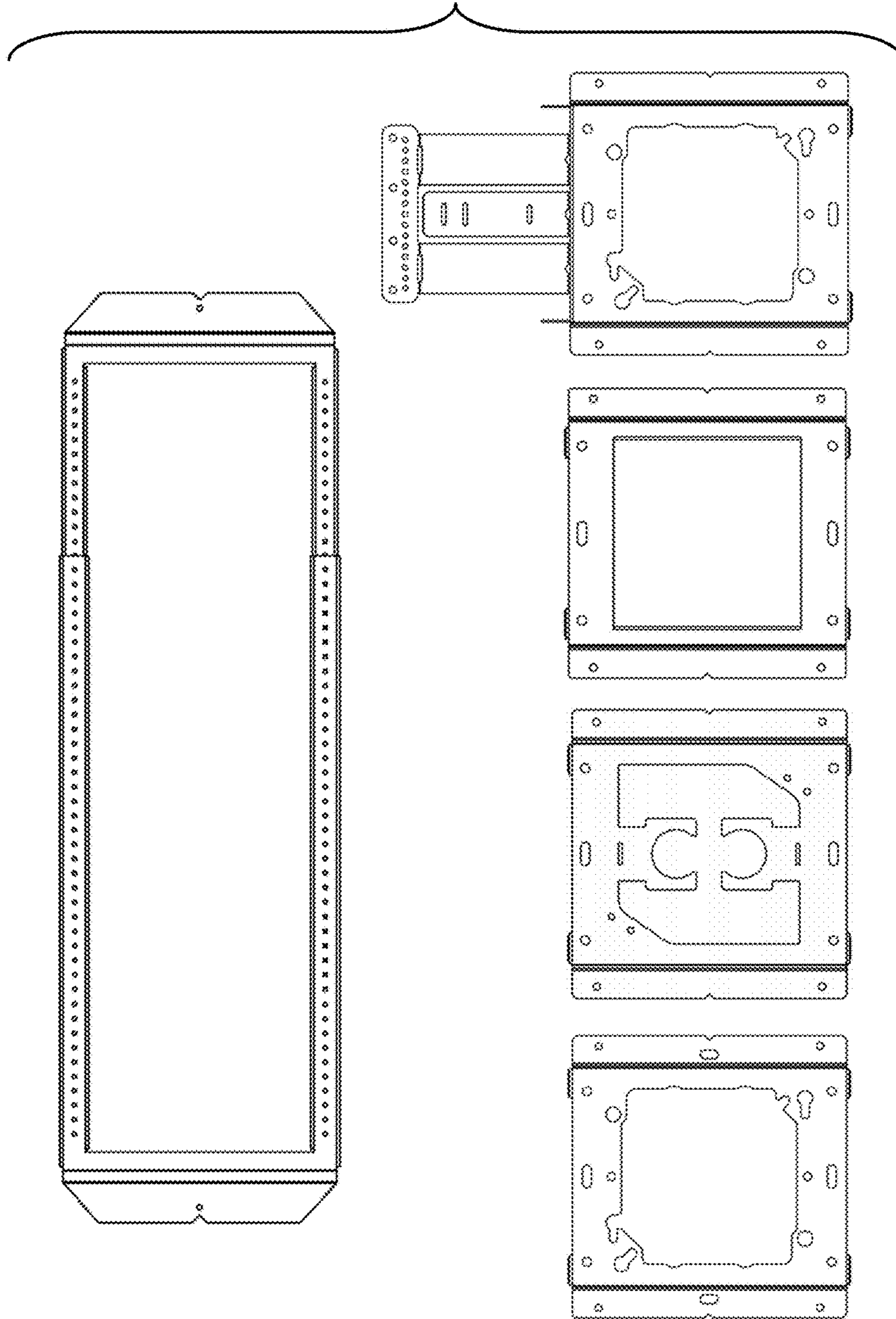
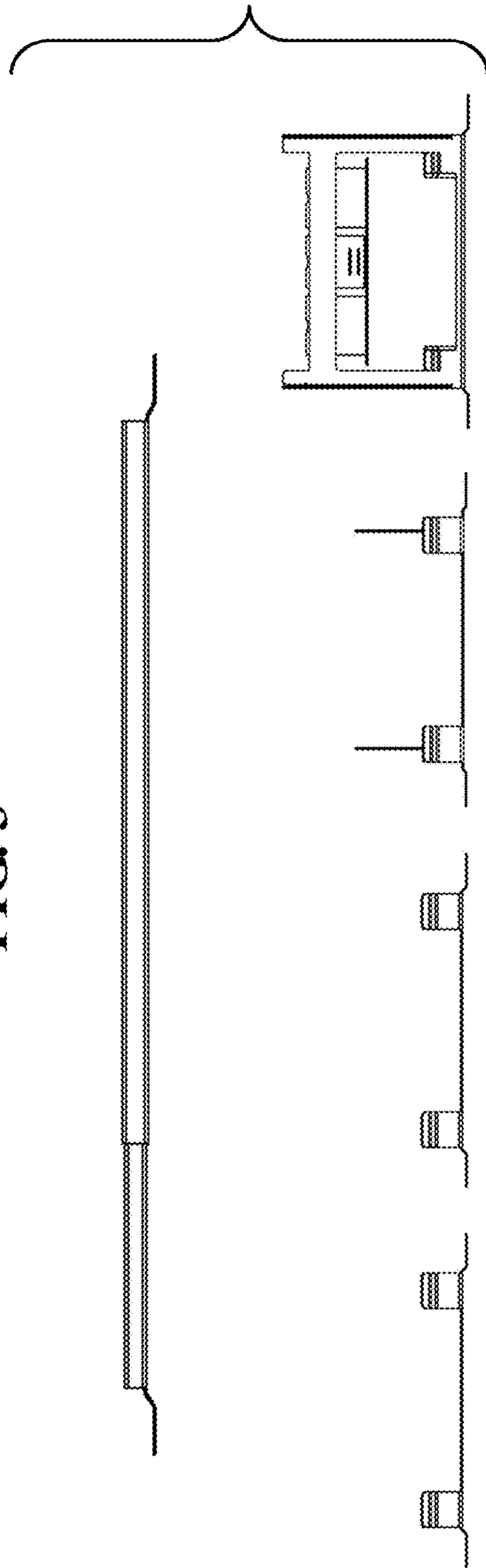
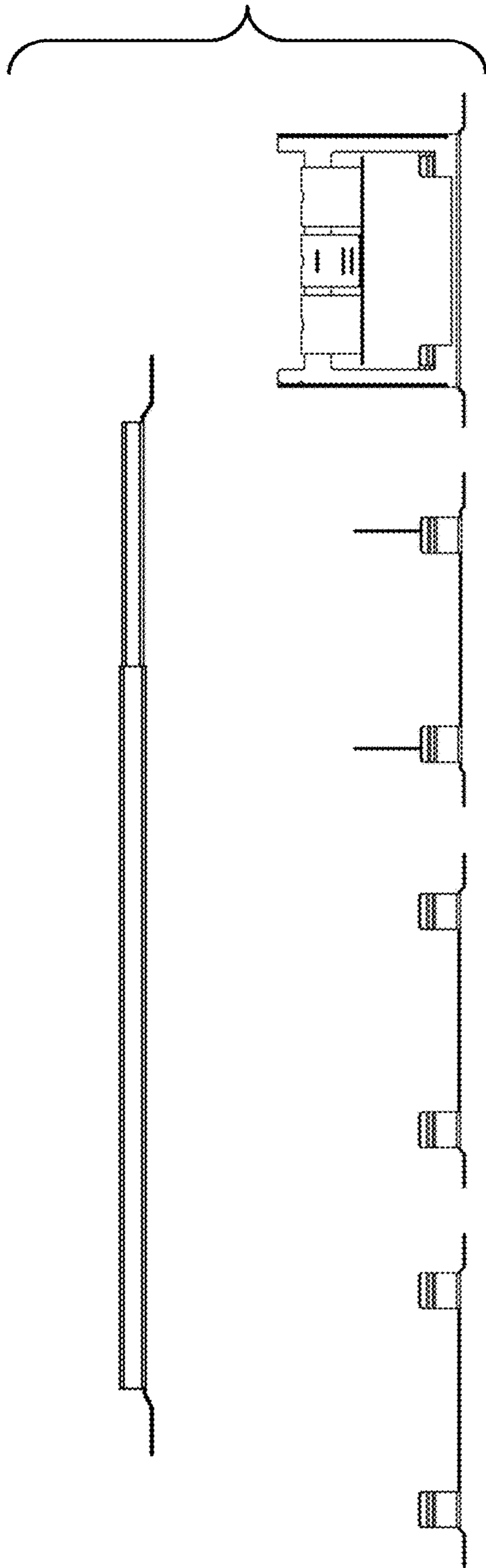


FIG 2



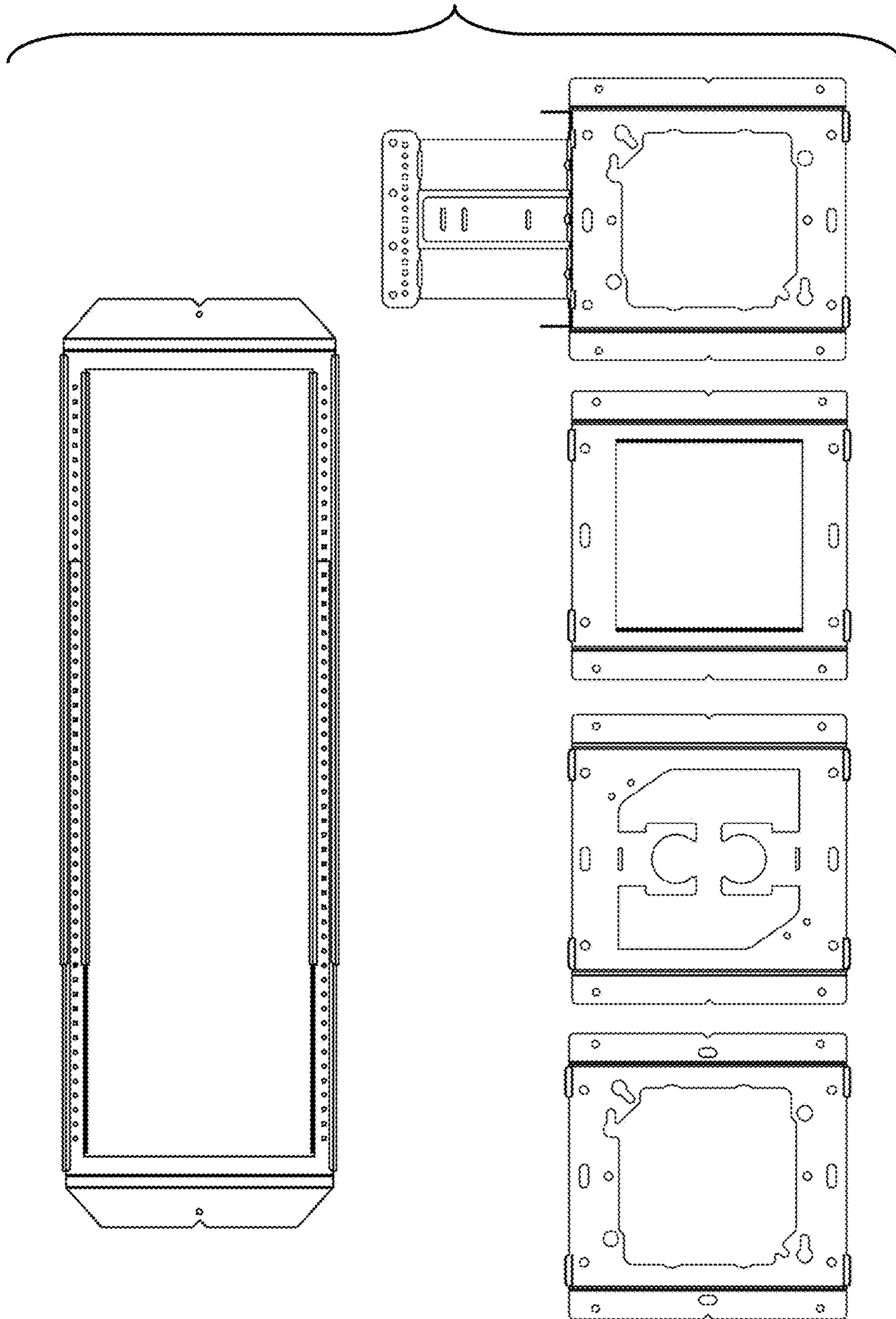


FIG. 5

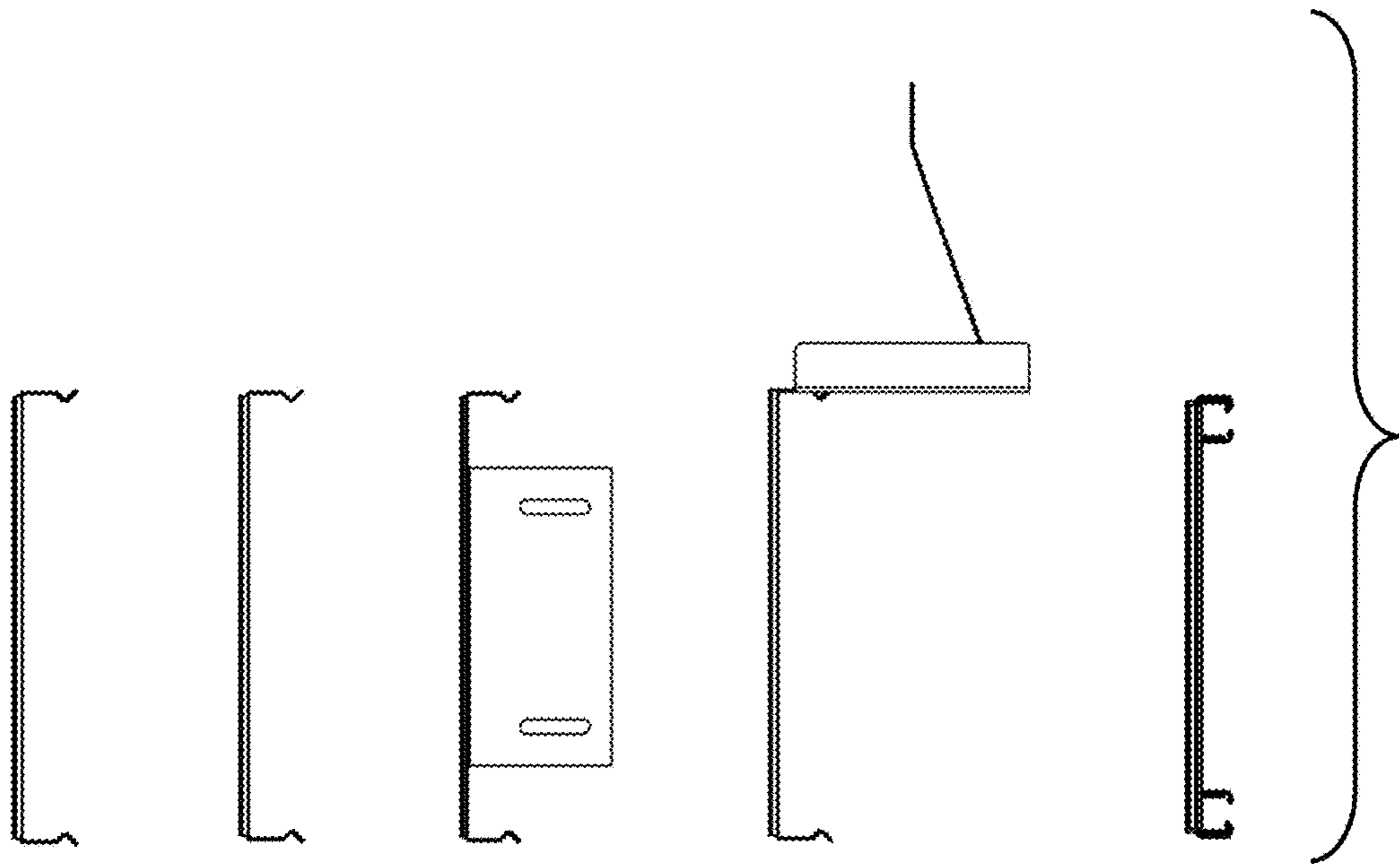


FIG. 6

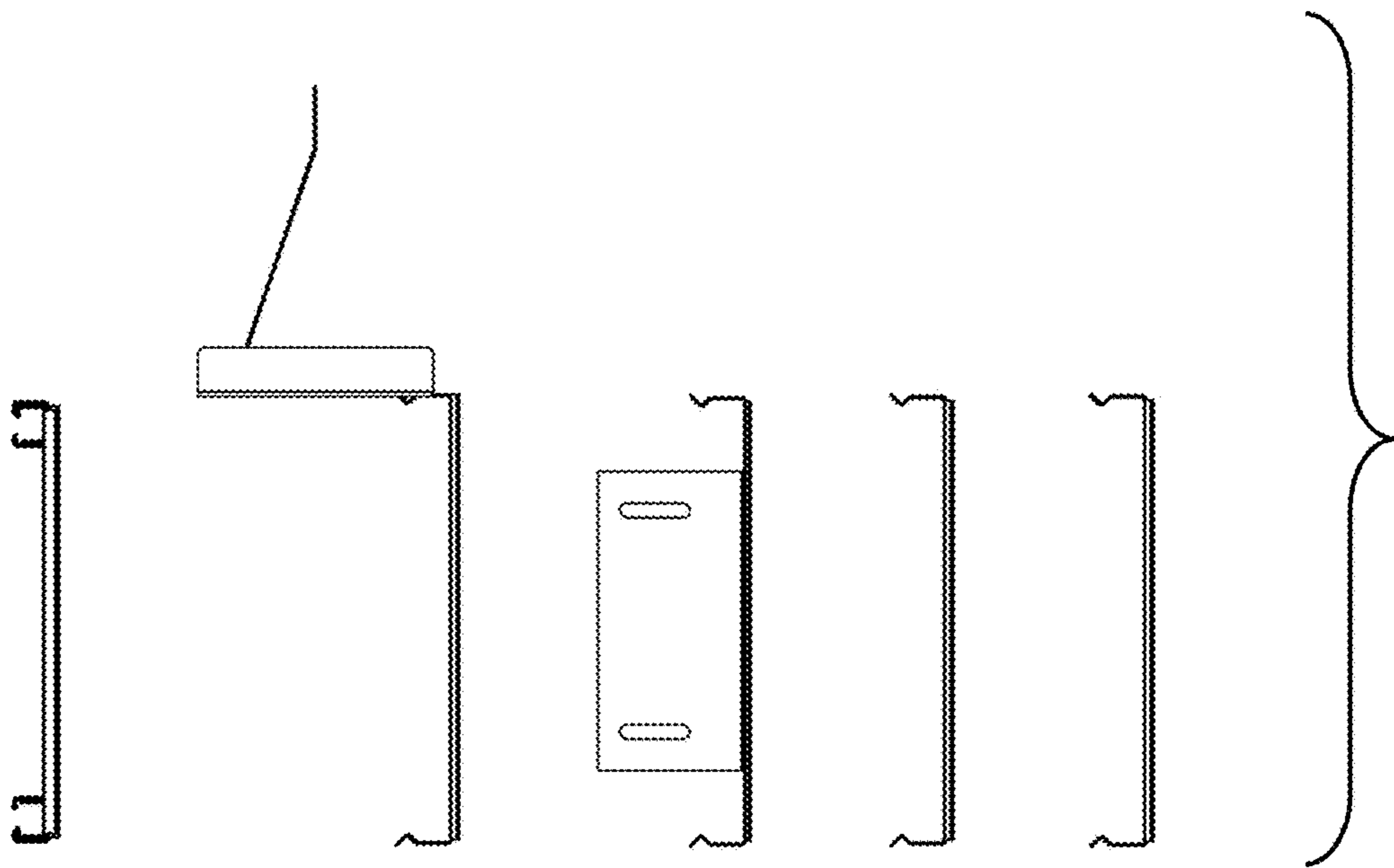


FIG. 7