



US00D821848S

(12) **United States Design Patent**
Marsden

(10) **Patent No.:** **US D821,848 S**
(45) **Date of Patent:** **** Jul. 3, 2018**

(54) **CABINET LOCK**
(71) Applicant: **Elbee Pty Ltd.**, Bondi Junction (AU)
(72) Inventor: **Andrew Marsden**, Hingham, MA (US)
(73) Assignee: **Elbee Pty Ltd.**, Bondi Junction (AU)
(**) Term: **15 Years**
(21) Appl. No.: **29/602,058**

7,513,698 B2 * 4/2009 Andersson G02B 6/4292
385/88
7,687,701 B1 3/2010 Kushner
D616,722 S * 6/2010 Shin D8/339
7,784,313 B2 8/2010 Wyers
7,841,327 B2 * 11/2010 Sopinsky A63F 9/02
124/16
8,402,798 B2 3/2013 Brojanac et al.
D719,436 S 12/2014 Roggero
D753,461 S * 4/2016 Dominguez D8/330
D766,068 S 9/2016 Marsden
(Continued)

(22) Filed: **Apr. 27, 2017**
(51) **LOC (11) Cl.** **08-07**
(52) **U.S. Cl.**
USPC **D8/339**; D8/331; D8/343
(58) **Field of Classification Search**
USPC D8/330, 331, 339-342, 349, 367, 400;
70/14, 19, 57, 57.1, 58, 51, 52, 199, 237,
70/240, 431, 288, 94, 99, 175, 177, 209,
70/225, 226, 70-84; 292/92, 339, 259 R,
292/259 A, 57, 262, 273, 305, 306,
292/DIG. 47; 49/57, 61, 62, 303,
49/463-466
CPC E05B 73/00
See application file for complete search history.

OTHER PUBLICATIONS

[No Author Listed] Dreambaby® Sliding Lock, publicly disclosed prior to May 2, 2016. 1 page.
(Continued)

Primary Examiner — Prabhakar Deshmukh
(74) *Attorney, Agent, or Firm* — Wolf, Greenfield & Sacks, P.C.

(57) **CLAIM**

The ornamental design for a cabinet lock, as shown and described.

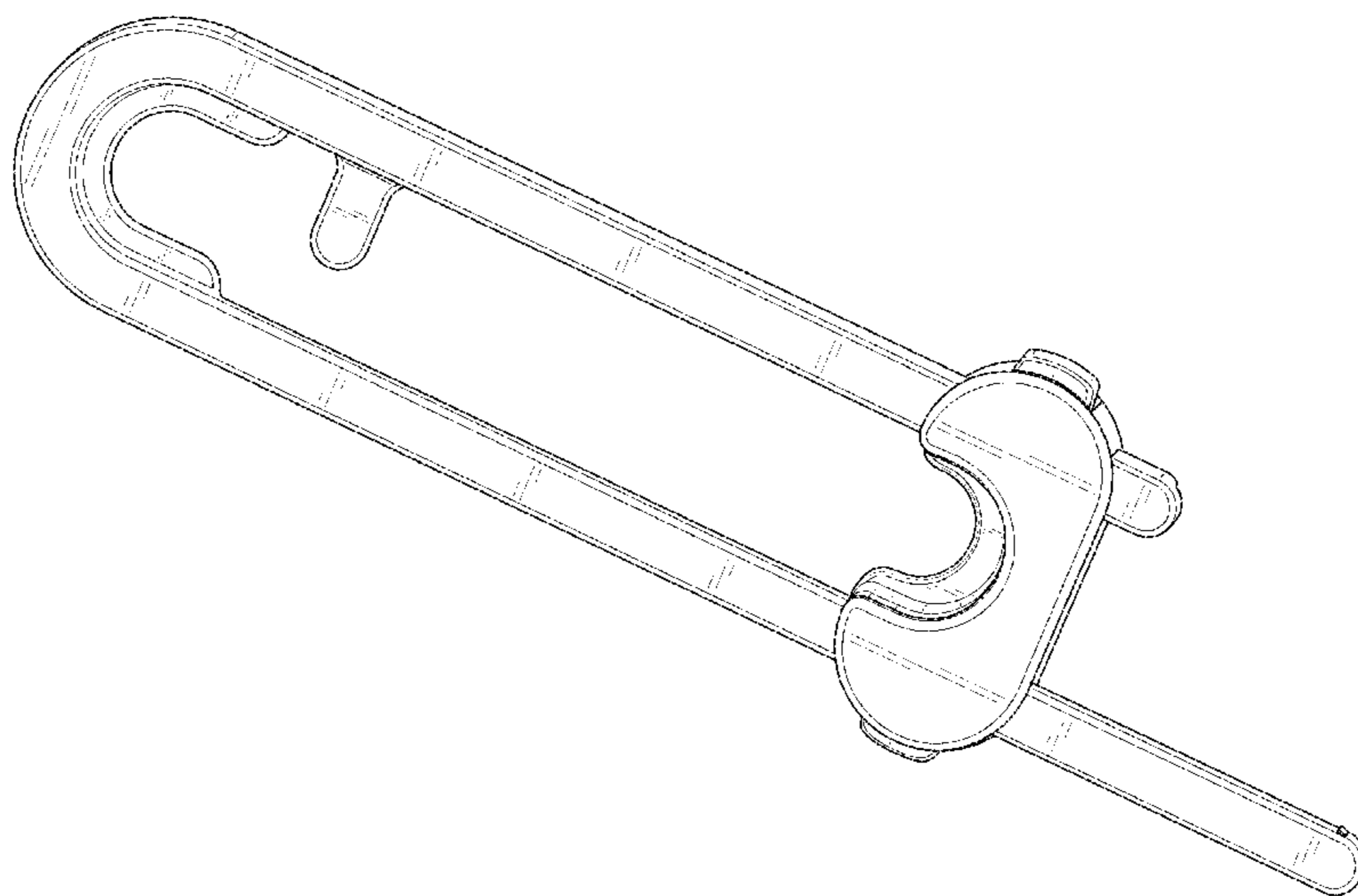
DESCRIPTION

FIG. 1 is a bottom, front, left side perspective view of a cabinet lock showing my new design;
FIG. 2 is a front elevation view thereof;
FIG. 3 is a rear elevation view thereof;
FIG. 4 is a left side elevation view thereof;
FIG. 5 is a right side elevation view thereof;
FIG. 6 is a top plan view thereof;
FIG. 7 is a bottom plan view thereof;
FIG. 8 is an enlarged fragmentary front view of the portion shown within the encircled area identified as 8 in FIG. 1; and,
FIG. 9 is a top, front, right side perspective view thereof.

1 Claim, 7 Drawing Sheets

(56) **References Cited**
U.S. PATENT DOCUMENTS

D239,079 S	9/1976	Saito	
D244,174 S	3/1977	Sankey	
D313,161 S	12/1990	Westphal et al.	
5,088,158 A	2/1992	Burkholder	
5,557,956 A	9/1996	Merz	
D396,627 S	4/1998	Blad	
5,791,170 A *	8/1998	Officer	E05B 67/003 70/14
5,794,461 A	8/1998	Smith	
D498,407 S *	11/2004	Layton	D8/331
D499,953 S	12/2004	Haggard	
7,172,222 B1 *	2/2007	Hotovy	E05C 1/04 292/137



(56)

References Cited

U.S. PATENT DOCUMENTS

D769,101	S	10/2016	Zemel et al.	
D770,263	S	11/2016	Marsden	
D778,139	S	2/2017	Sarnowski et al.	
D785,440	S	* 5/2017	Marsden	D8/331
D790,953	S	* 7/2017	Marsden	D8/331
D797,543	S	* 9/2017	Marsden	D8/331
D801,780	S	* 11/2017	Marsden	D8/339
D803,661	S	* 11/2017	Marsden	D8/339

OTHER PUBLICATIONS

[No Author Listed] Safety 1st Cabinet Lock, publicly disclosed prior to Sep. 10, 2014. 1 page.

* cited by examiner

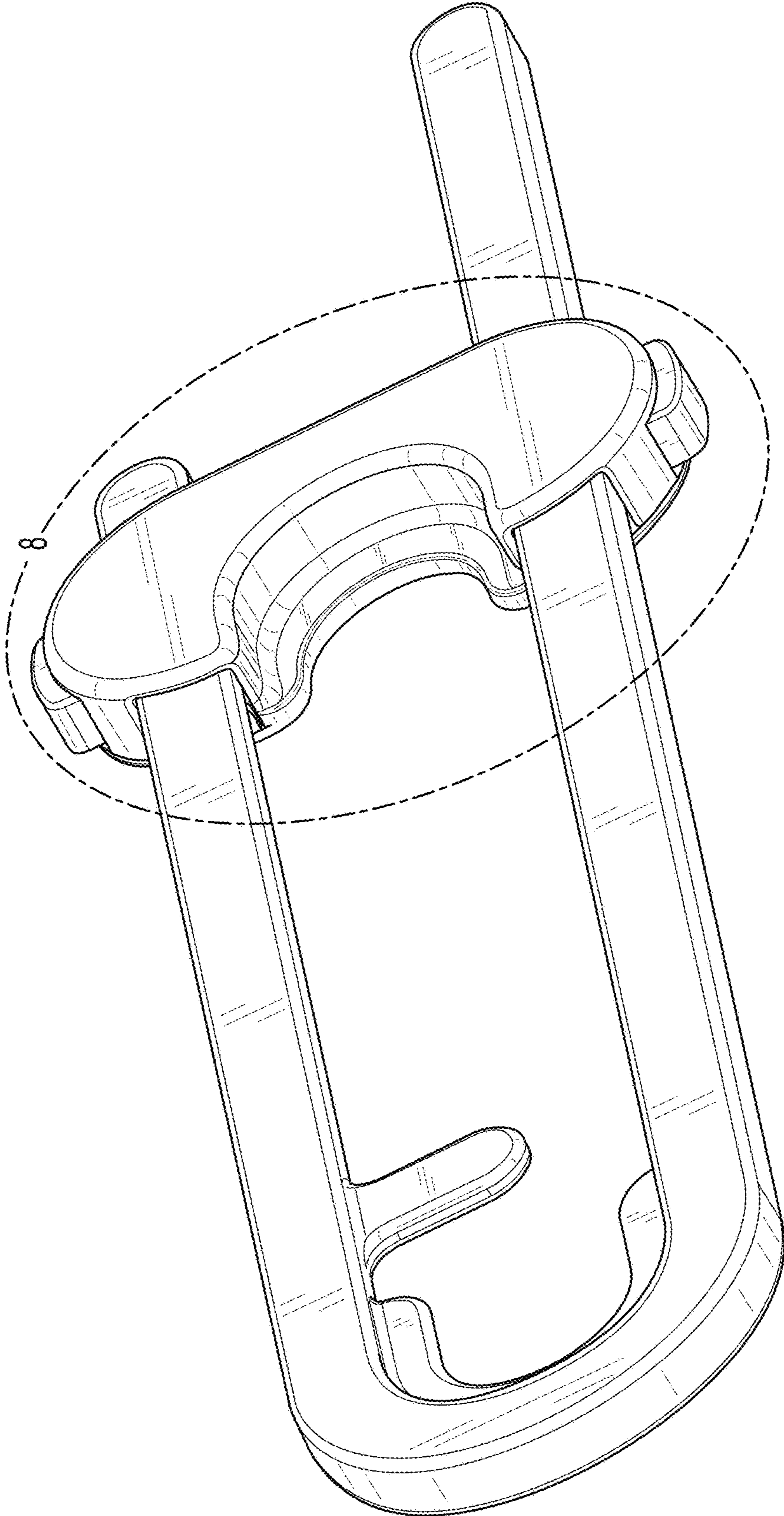


FIG. 1

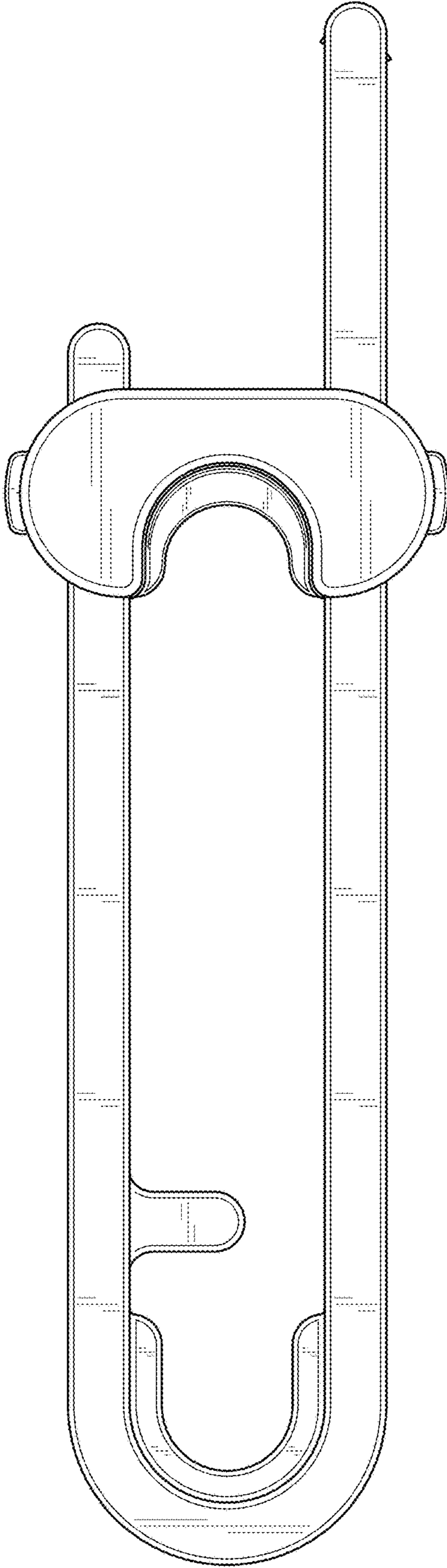


FIG. 2

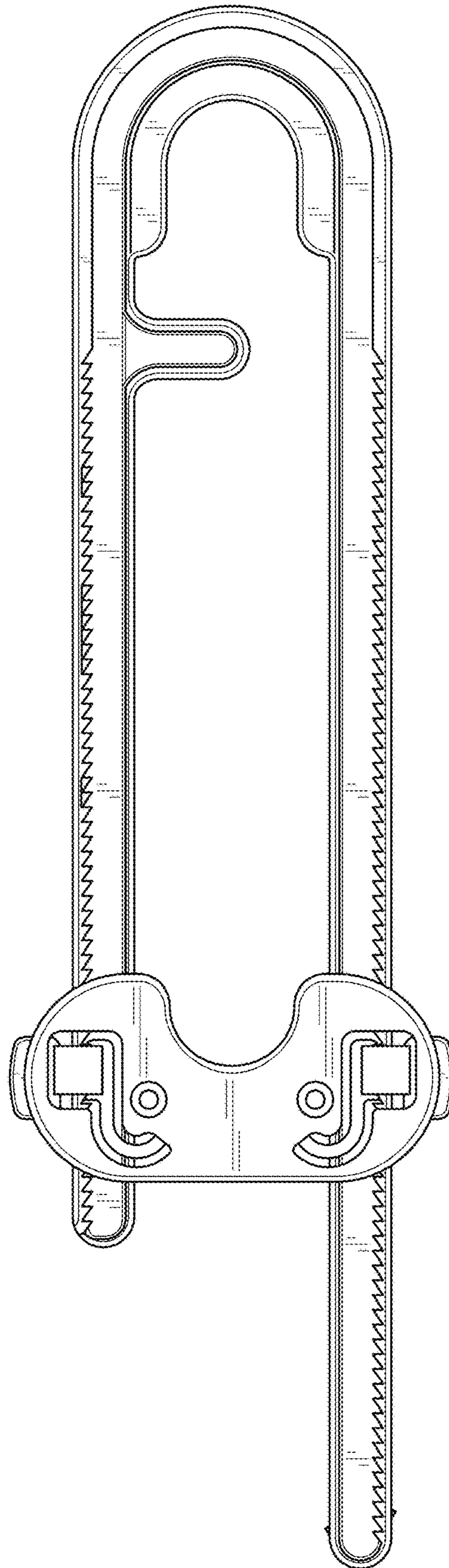


FIG. 3

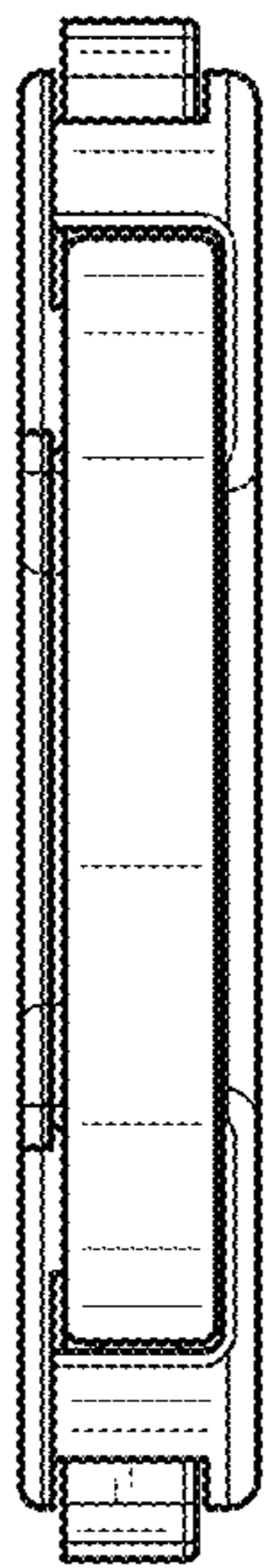


FIG. 4

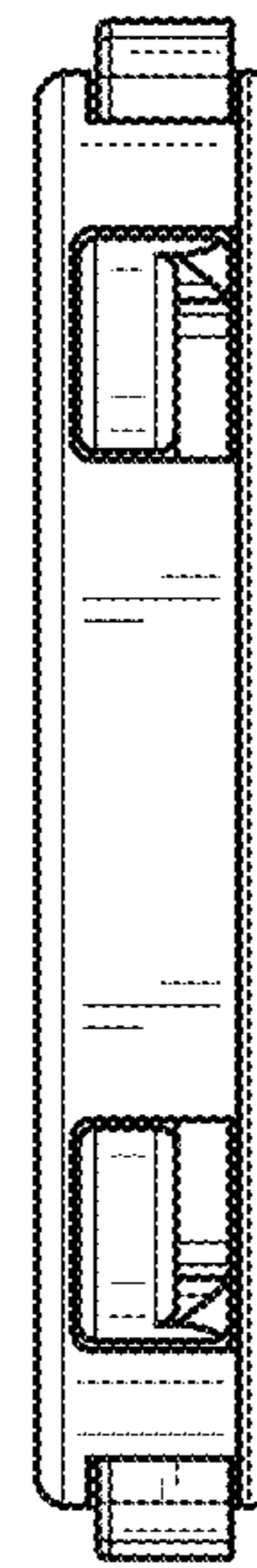


FIG. 5

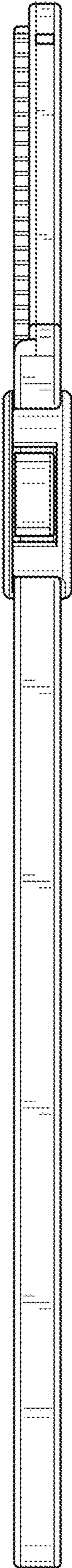


FIG. 6

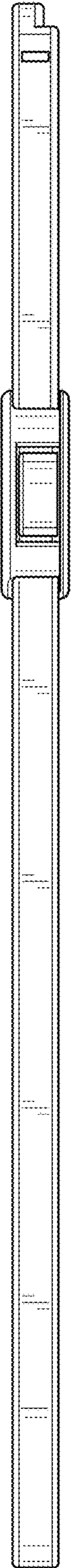


FIG. 7

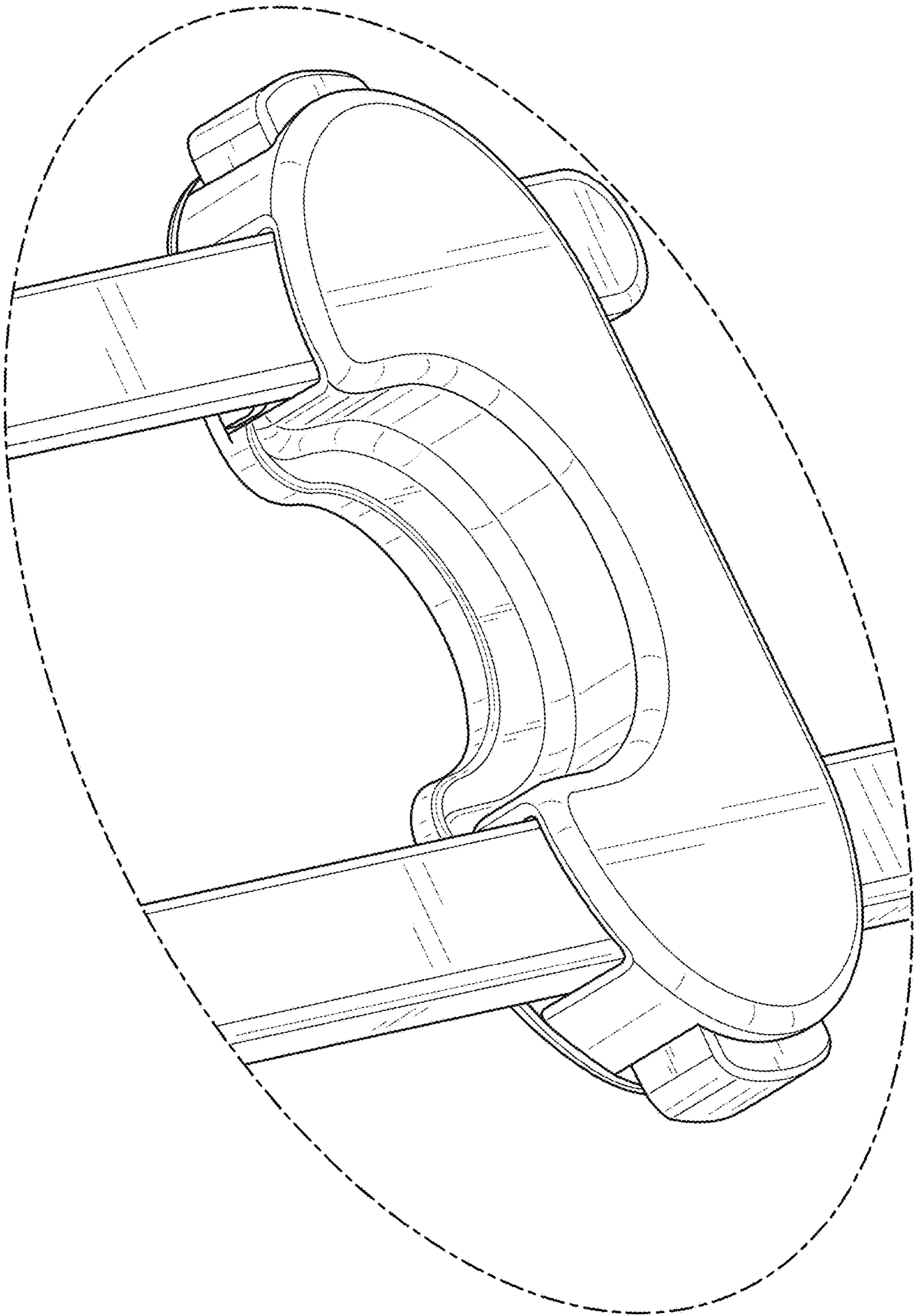


FIG. 8

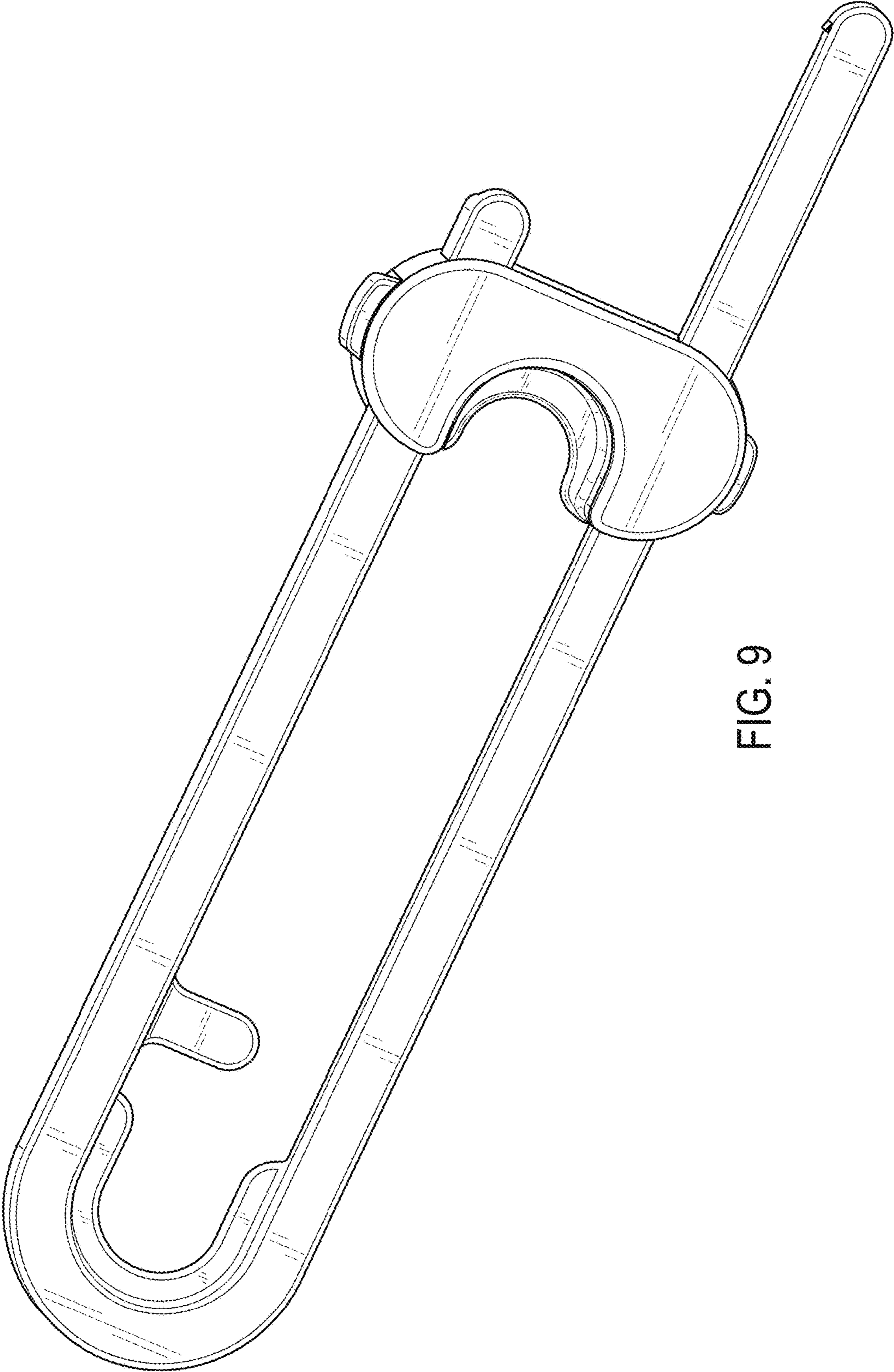


FIG. 9

UNITED STATES PATENT AND TRADEMARK OFFICE
CERTIFICATE OF CORRECTION

PATENT NO. : D821,848 S
APPLICATION NO. : 29/602058
DATED : July 3, 2018
INVENTOR(S) : Andrew Marsden

Page 1 of 1

It is certified that error appears in the above-identified patent and that said Letters Patent is hereby corrected as shown below:

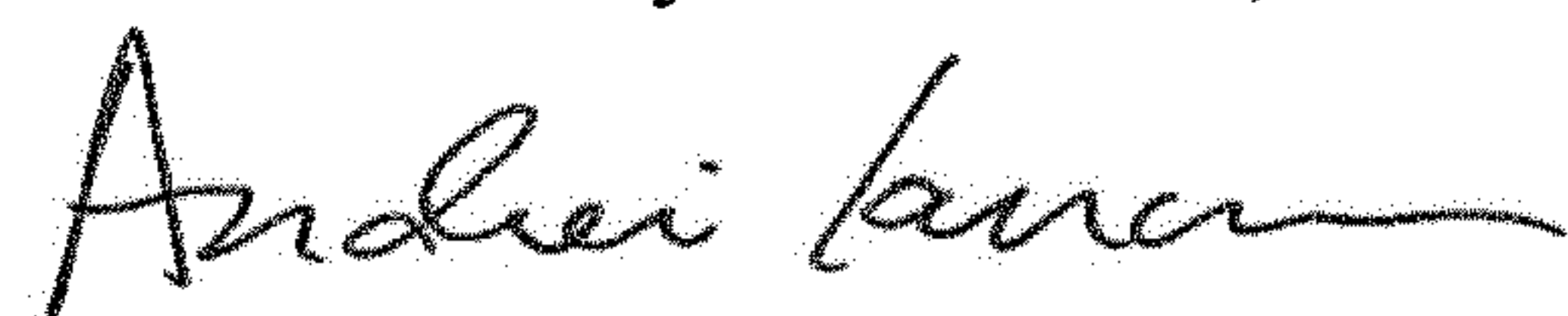
On the Title Page

Please add Related U.S. Application Data:

-- **Related U.S. Application Data**

Continuation of Application No. 29/563,142, filed on May 2, 2016, now Pat. No. Des. 785,440. --

Signed and Sealed this
Thirtieth Day of October, 2018



Andrei Iancu
Director of the United States Patent and Trademark Office