



US00D821847S

(12) **United States Design Patent**
Gillespie, IV et al.

(10) **Patent No.:** **US D821,847 S**
(45) **Date of Patent:** **** Jul. 3, 2018**

- (54) **SECURITY DEVICE**
- (71) Applicant: **Ripple Network Technologies, Inc.**,
Fort Lauderdale, FL (US)
- (72) Inventors: **Rees Gillespie, IV**, Boca Raton, FL
(US); **Jaime A. Gomez**, Fort
Lauderdale, FL (US); **Mladen
Barbaric**, Montreal (CA)
- (73) Assignee: **Ripple Network Technologies**, Fort
Lauderdale, FL (US)
- (**) Term: **15 Years**
- (21) Appl. No.: **29/596,875**
- (22) Filed: **Mar. 13, 2017**
- (51) **LOC (11) Cl.** **08-07**
- (52) **U.S. Cl.**
USPC **D8/334; D8/333**
- (58) **Field of Classification Search**
USPC D8/300–302, 350, 330, 331, 343, 346,
D8/334; 70/14, 158, 160, 452, 448, 466;
292/348, 350, 357; D11/117, 130, 34;
D9/702, 720; 190/100, 101, 900
CPC E05B 1/0007; E05B 9/00; E05B 17/00;
A45C 5/00; A45C 13/00; A45C 13/002
See application file for complete search history.

- (56) **References Cited**
U.S. PATENT DOCUMENTS
4,444,029 A * 4/1984 Remington E05B 37/025
70/25
6,227,016 B1 * 5/2001 Yu E05B 37/025
70/30

- D450,560 S * 11/2001 Yu E05B 37/025
D8/333
- 6,389,854 B1 * 5/2002 Huang E05B 73/0082
70/14
- 6,877,345 B1 * 4/2005 Misner E05B 35/105
70/25
- D523,729 S * 6/2006 Gorst D8/333
- D540,149 S * 4/2007 Tollefson D8/330
- D557,106 S * 12/2007 Kuwayama D8/333
- D691,869 S * 10/2013 Plato D8/331
- D739,706 S * 9/2015 Klaus D8/333
- D741,143 S * 10/2015 Grainger D8/334
- D789,174 S * 6/2017 Lai D8/334
- D790,952 S * 7/2017 Nguyen D8/334

* cited by examiner

Primary Examiner — Prabhakar Deshmukh
(74) *Attorney, Agent, or Firm* — Diana Mederos; Mederos
Legal, PLLC

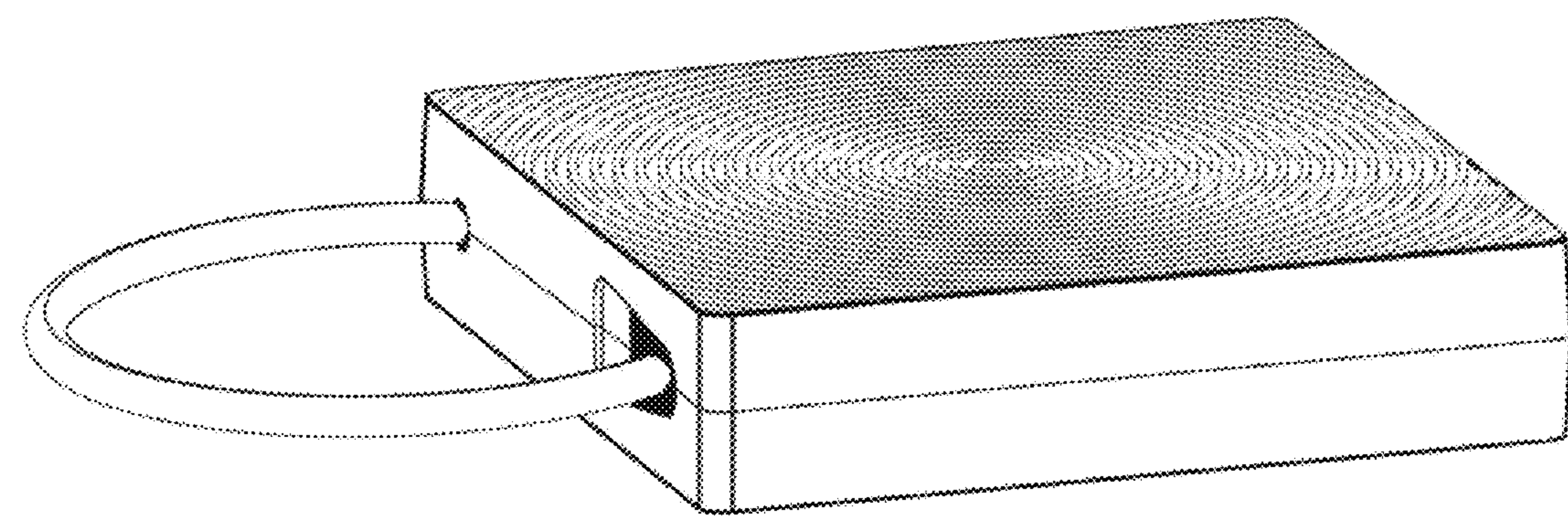
(57) **CLAIM**

The ornamental design for a security device, as shown and
described.

DESCRIPTION

FIG. 1 is a front perspective view of a security device
according to the present invention;
FIG. 2 is a front view of the security device of FIG. 1;
FIG. 3 is a rear view of the security device of FIG. 1;
FIG. 4 is a top view of the security device of FIG. 1;
FIG. 5 is a bottom view of the security device of FIG. 1;
FIG. 6 is a left side view of the security device of FIG. 1;
and,
FIG. 7 is a right side view of the security device of FIG. 1.

1 Claim, 7 Drawing Sheets



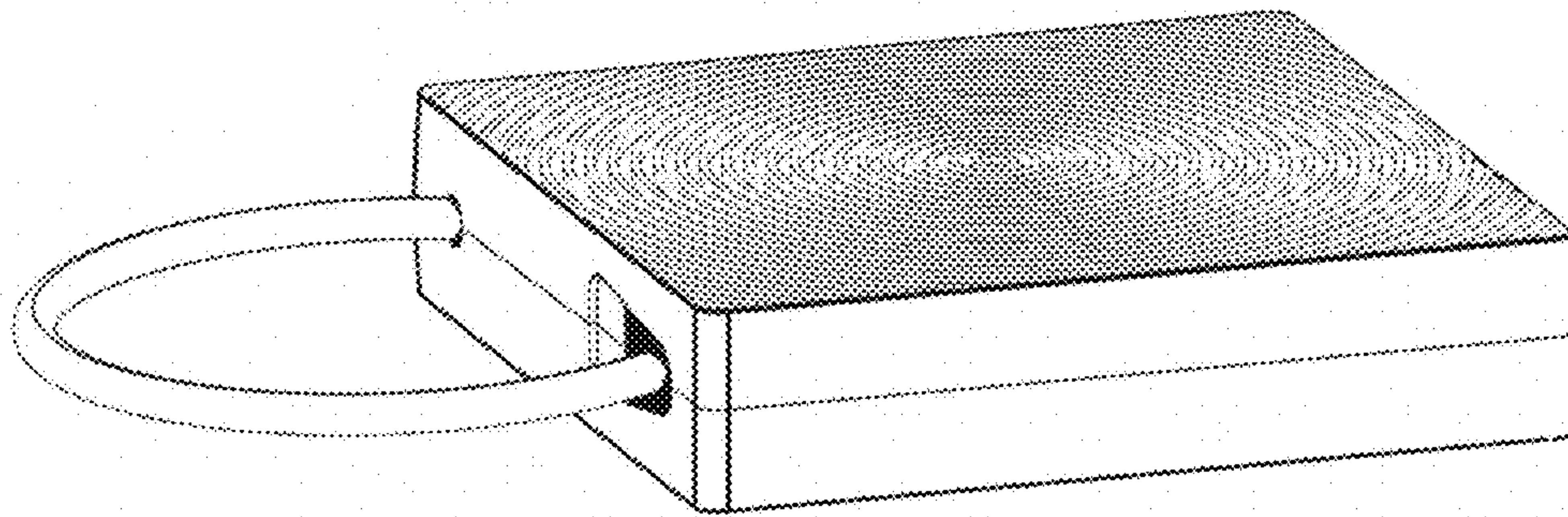


FIG. 1

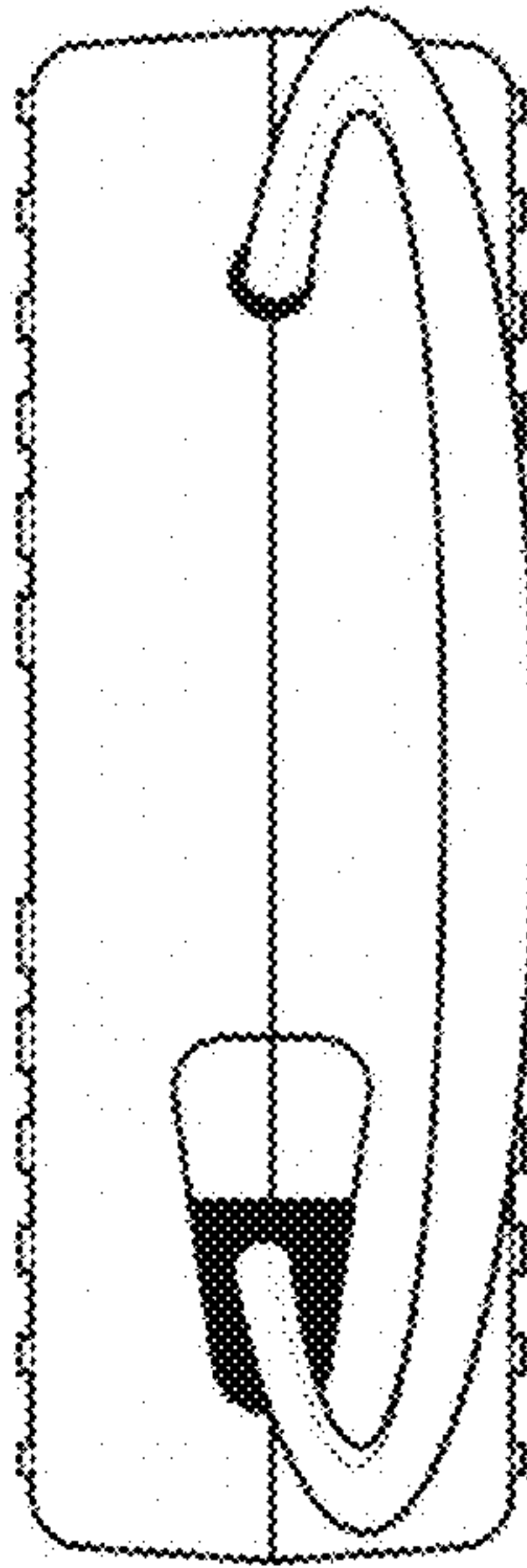


FIG. 2

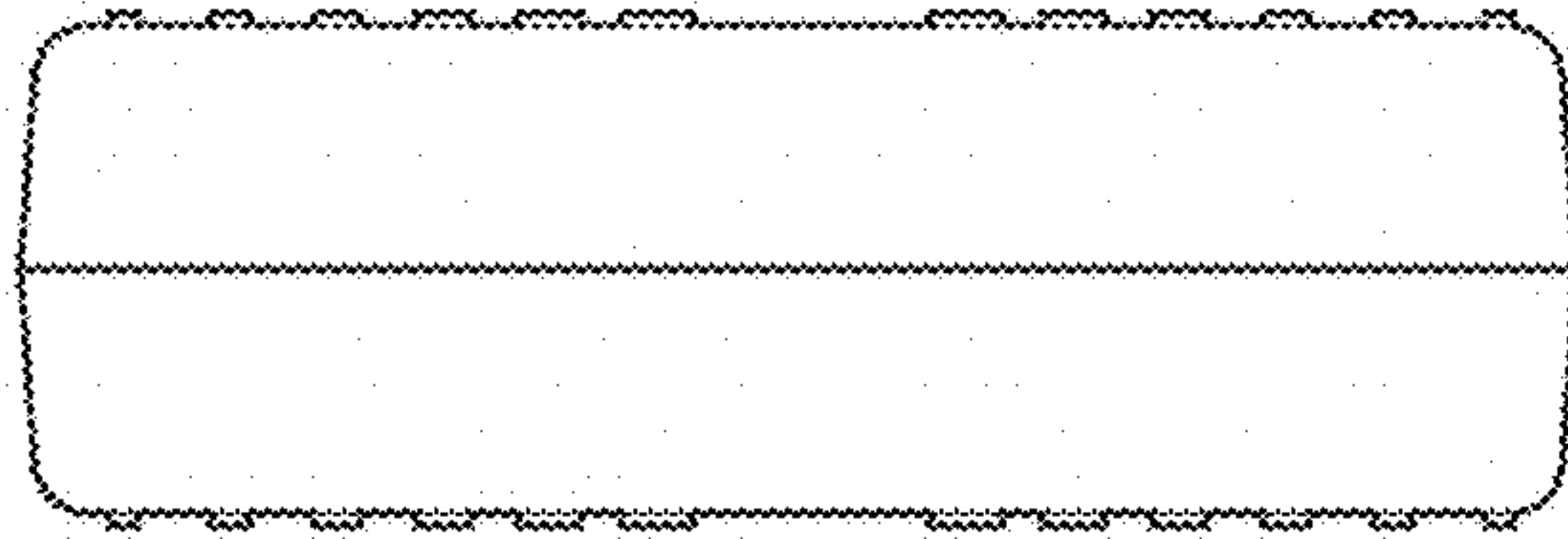


FIG. 3

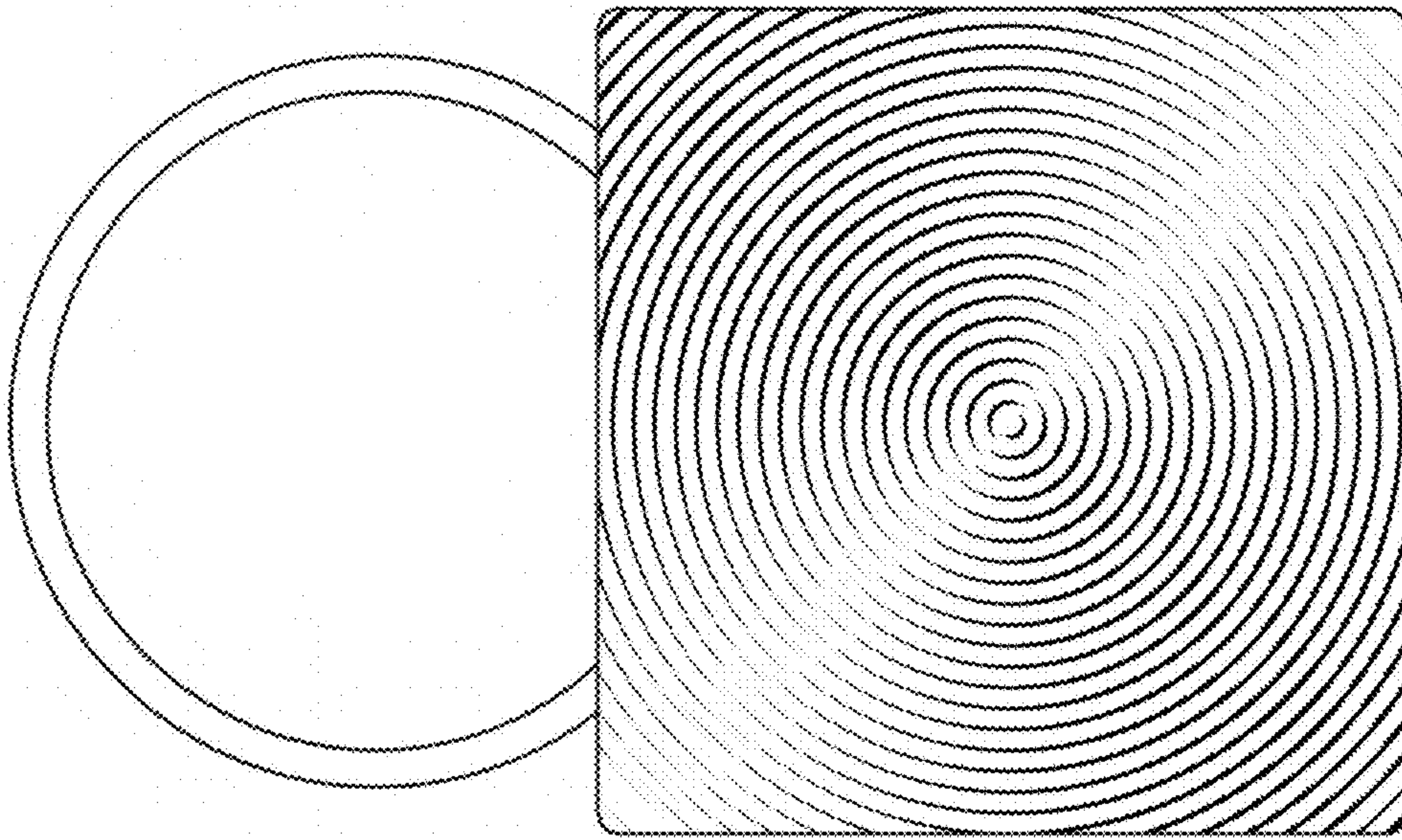


FIG. 4

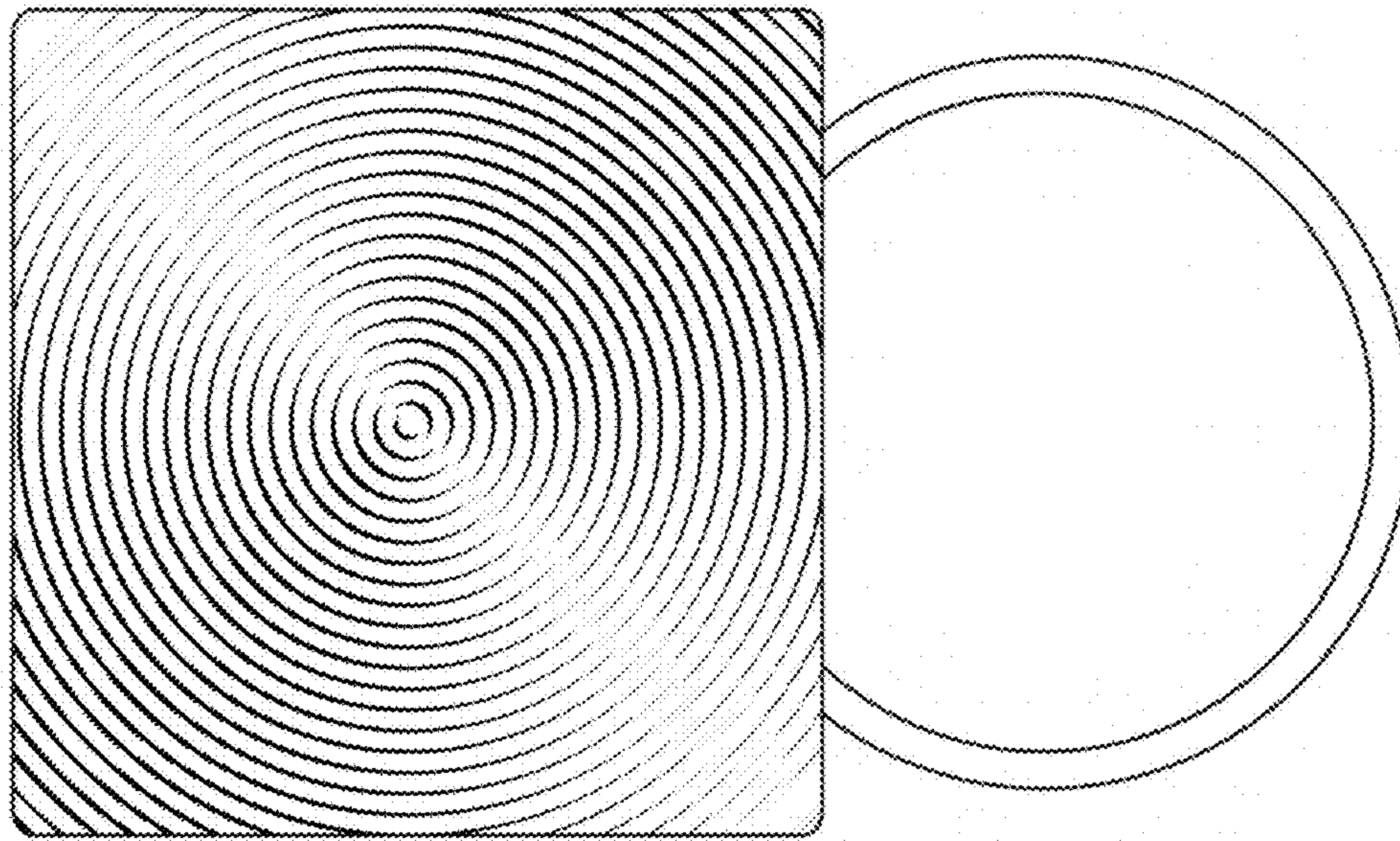


FIG. 5

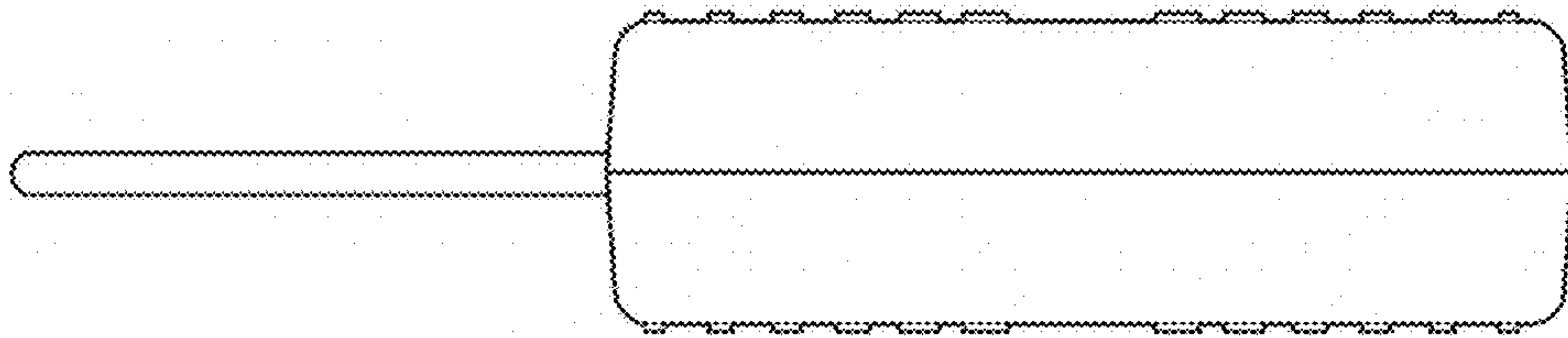


FIG. 6

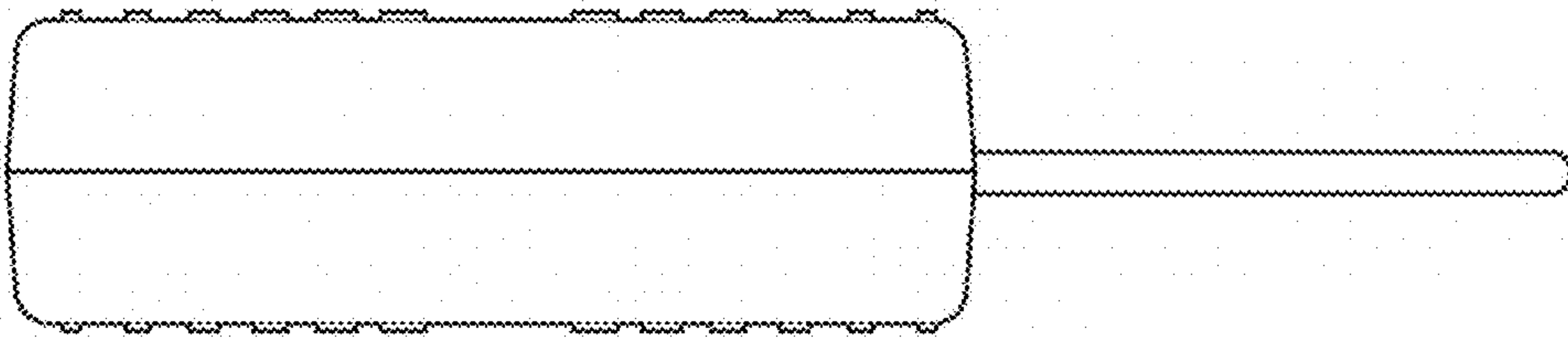


FIG. 7