



US00D821845S

(12) **United States Design Patent**
Garland

(10) **Patent No.:** **US D821,845 S**

(45) **Date of Patent:** **** Jul. 3, 2018**

(54) **PULL**

(71) Applicant: **DELTA FAUCET COMPANY,**
Indianapolis, IN (US)

(72) Inventor: **Celine Kwok Garland,** Zionsville, IN
(US)

(73) Assignee: **DELTA FAUCET COMPANY,**
Indianapolis, IN (US)

(**) Term: **15 Years**

(21) Appl. No.: **29/595,279**

(22) Filed: **Feb. 27, 2017**

(51) **LOC (11) Cl.** **08-06**

(52) **U.S. Cl.**
USPC **D8/316**

(58) **Field of Classification Search**
USPC D8/315-320; D6/549; 292/336.3
CPC ... E05Y 2900/531; B25F 5/026; B62D 43/10;
A47G 19/2272

See application file for complete search history.

(56) **References Cited**

U.S. PATENT DOCUMENTS

337,412 A *	3/1886	Long	A47B 95/02 16/415
881,395 A *	3/1908	Gillen	A47B 95/02 16/439
2,142,953 A *	1/1939	Raymond	A47B 95/02 16/444
3,384,208 A *	5/1968	Renner	A45C 13/26 16/410
D229,026 S *	11/1973	Javkin	D8/306
D276,387 S *	11/1984	Conti	D6/549
D277,337 S *	1/1985	Parrochia	D3/323
D277,620 S *	2/1985	Parrochia	D3/323
D290,935 S *	7/1987	Williams	D8/315
D301,201 S *	5/1989	King	D8/306
D314,108 S *	1/1991	Chap	D6/523

D338,608 S *	8/1993	Martin	D8/302
D340,377 S *	10/1993	Brazis	D6/549
D405,643 S *	2/1999	Coleman	D7/402
D418,803 S *	1/2000	Klimenko	D12/316
D419,853 S *	2/2000	Workman	D8/317
D504,601 S *	5/2005	Jimenez	D8/45
D551,056 S *	9/2007	Ricereto	D8/317
D564,312 S *	3/2008	Palermo	D8/8
D640,910 S *	7/2011	McDonald	D8/313
D662,389 S *	6/2012	Hauber	D8/319

(Continued)

OTHER PUBLICATIONS

Amerock Blackrock Pull, posted at myknobs.com, posting date not given, [online], [site visited Apr. 13, 2018]. Available from Internet, URL: <https://www.myknobs.com/amebp55277g10.html> (Year: 2018).*

(Continued)

Primary Examiner — George D. Kirschbaum

Assistant Examiner — Maria J Edwards

(74) *Attorney, Agent, or Firm* — Edgar A. Zarins; Nirav D. Parikh

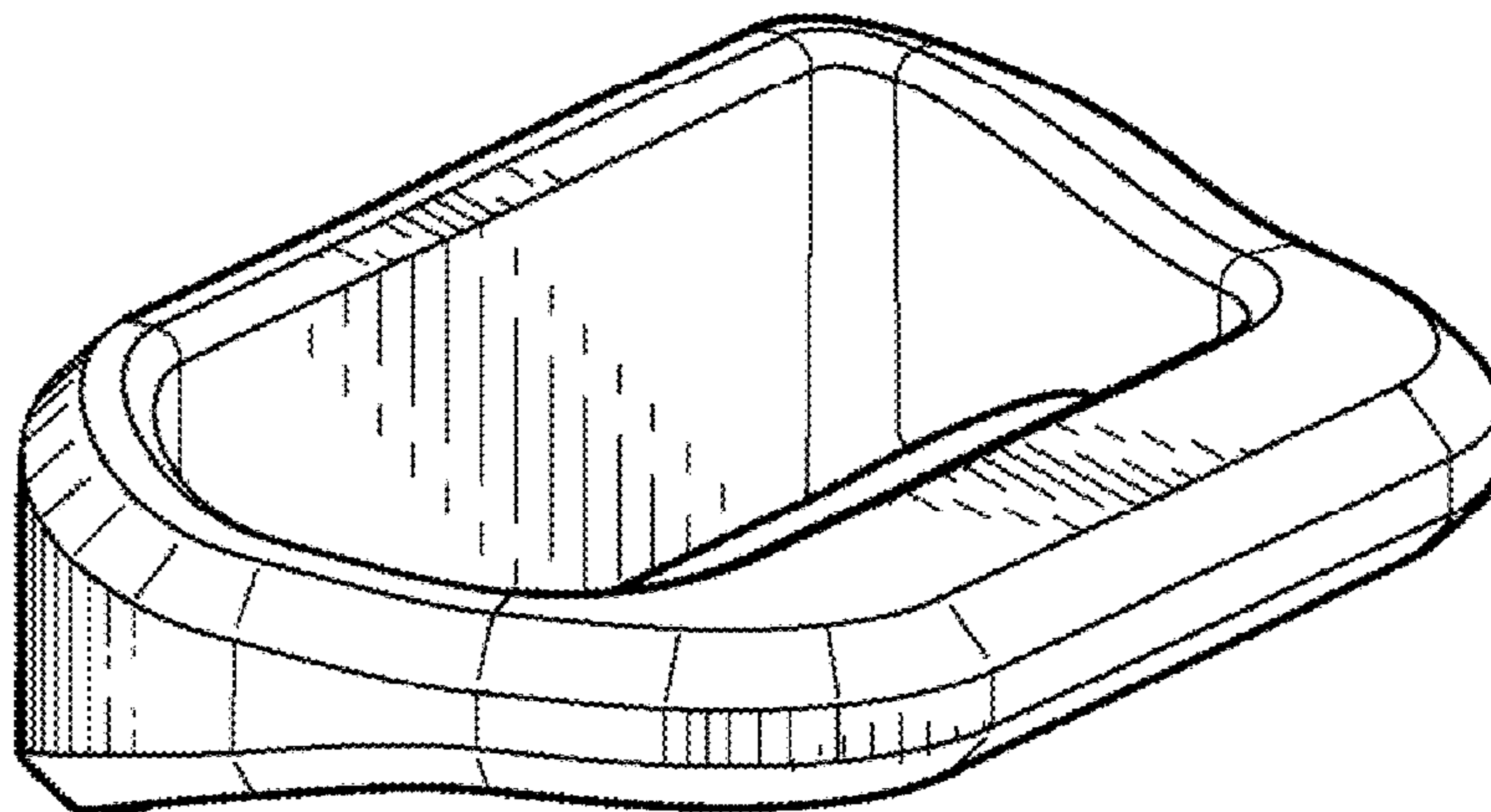
(57) **CLAIM**

The ornamental design for a pull, as shown and described.

DESCRIPTION

FIG. 1 is a perspective view of a pull showing my new design;
FIG. 2 is a top plan view thereof, the opposite side being a mirror image of the side shown;
FIG. 3 is a front elevational view thereof;
FIG. 4 is a rear view thereof; and,
FIG. 5 is a right end view thereof, the opposite end being a mirror image of the end shown.
The broken lines in the drawings illustrate portions of the article and form no part of the claimed design.

1 Claim, 1 Drawing Sheet



(56)

References Cited

U.S. PATENT DOCUMENTS

D678,032 S * 3/2013 Coplan D8/301
D719,008 S * 12/2014 Han D8/315
9,314,080 B2 * 4/2016 Lai A45C 13/26
D764,833 S * 8/2016 Citterio D6/549
D812,929 S * 3/2018 Garland D6/549

OTHER PUBLICATIONS

Hickory Hardware Bridges Cabinet Pull, posted at homedepot.com, posting date not given, [online], [site visited Apr. 13, 2018]. Available from Internet, URL: <https://www.homedepot.com/p/Hickory-Hardware-Bridges-96-mm-Chrome-Pull-P3232-CH/202335894> (Year: 2018).*

Liberty Mandara Cabinet Pull, posted at homedepot.com, posting date not given, [online], [site visited Apr. 13, 2018]. Available from Internet, URL: <https://www.homedepot.com/p/Liberty-Mandara-3-3-4-in-96mm-Brushed-Satin-Nickel-Cabinet-Pull-P36130C-SN-CP/300703017> (Year: 2018).*

* cited by examiner

Fig-1

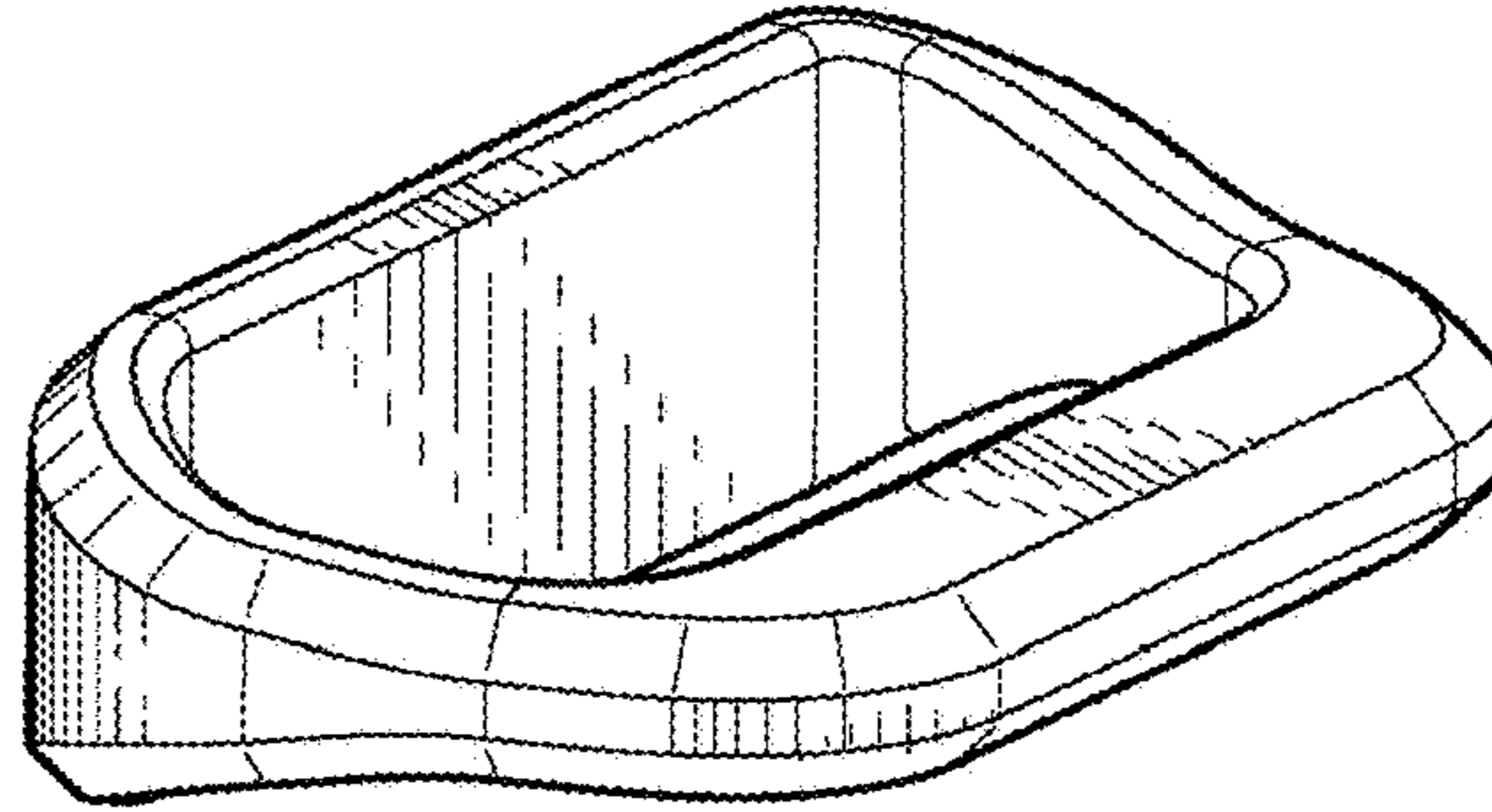


Fig-2

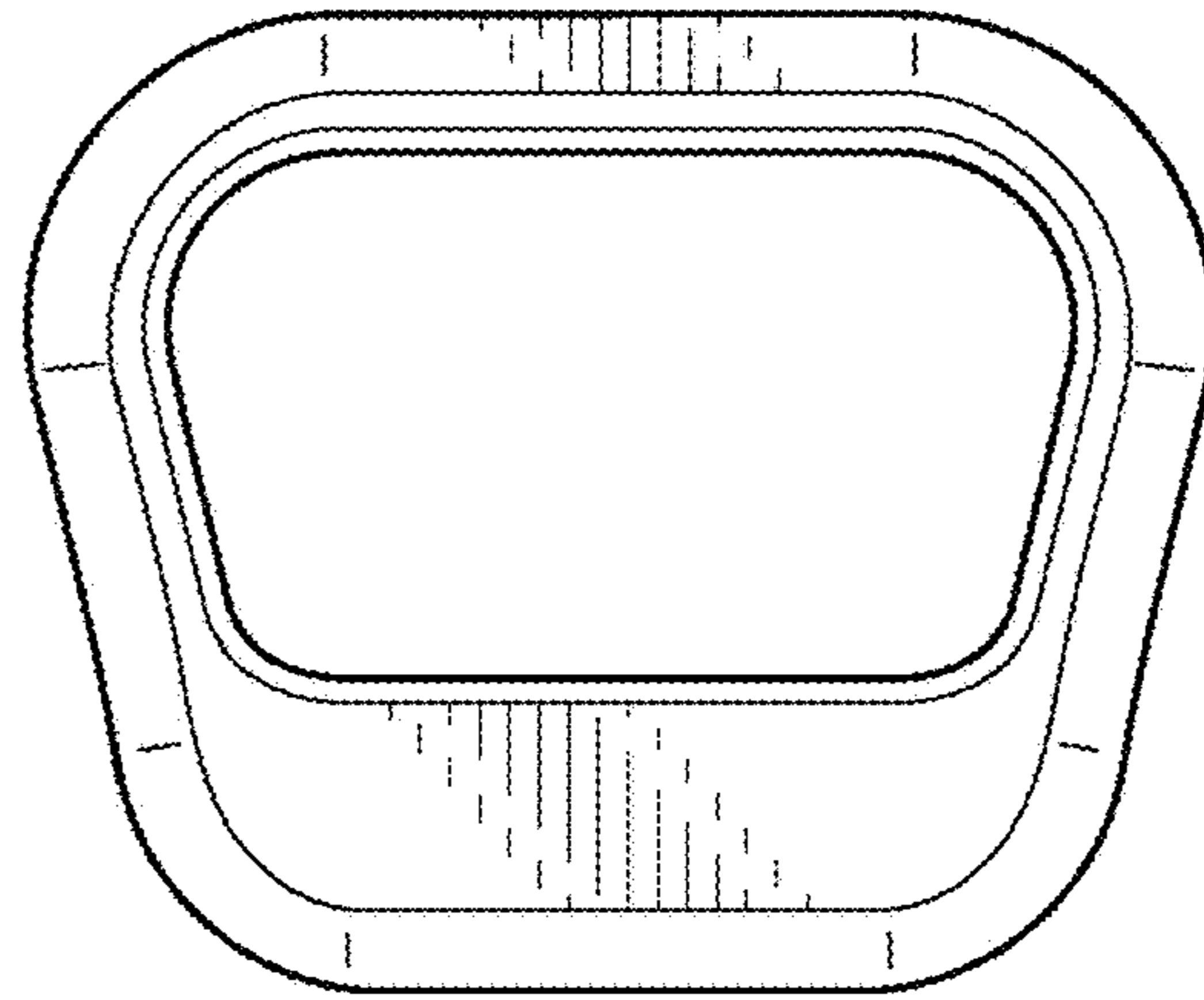


Fig-3

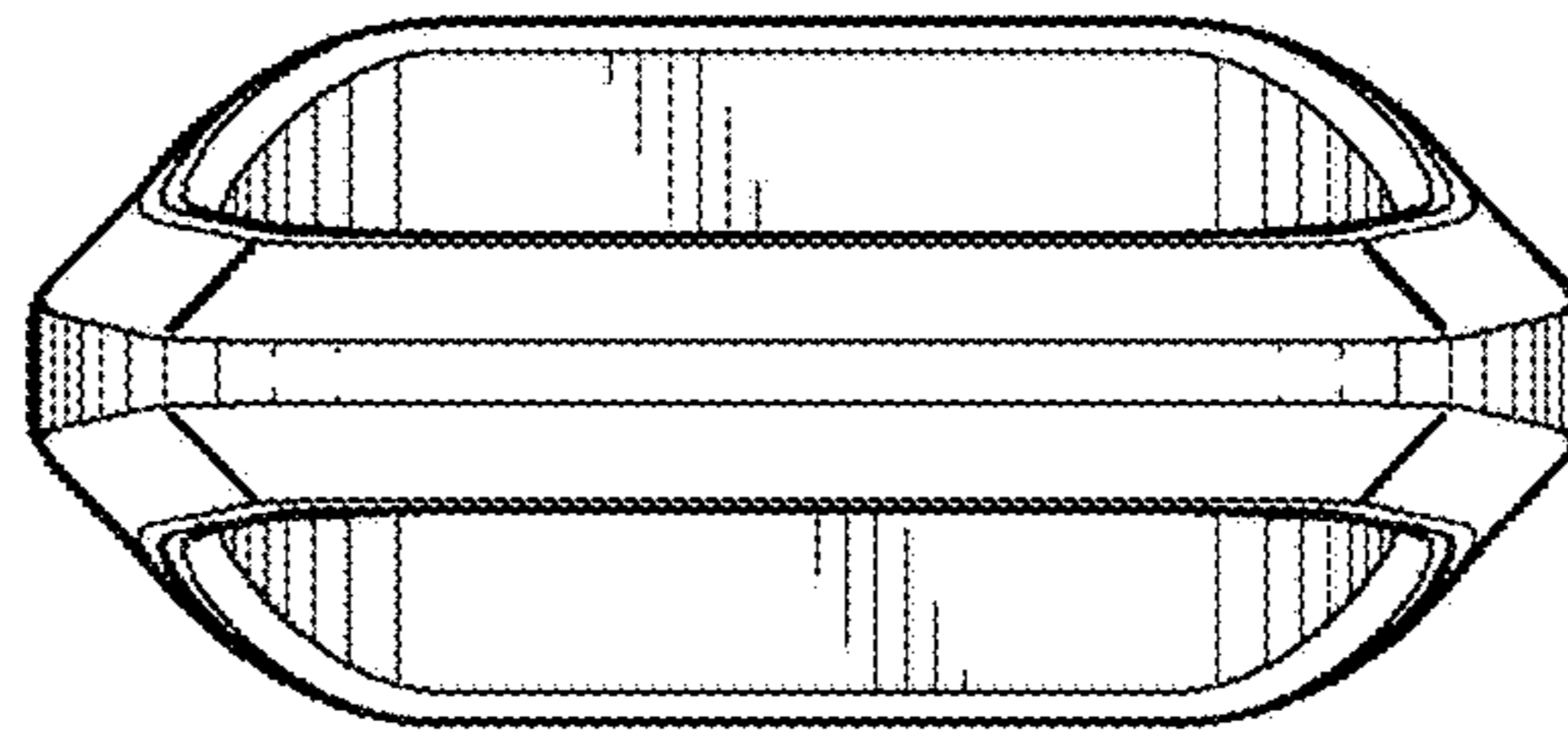


Fig-4

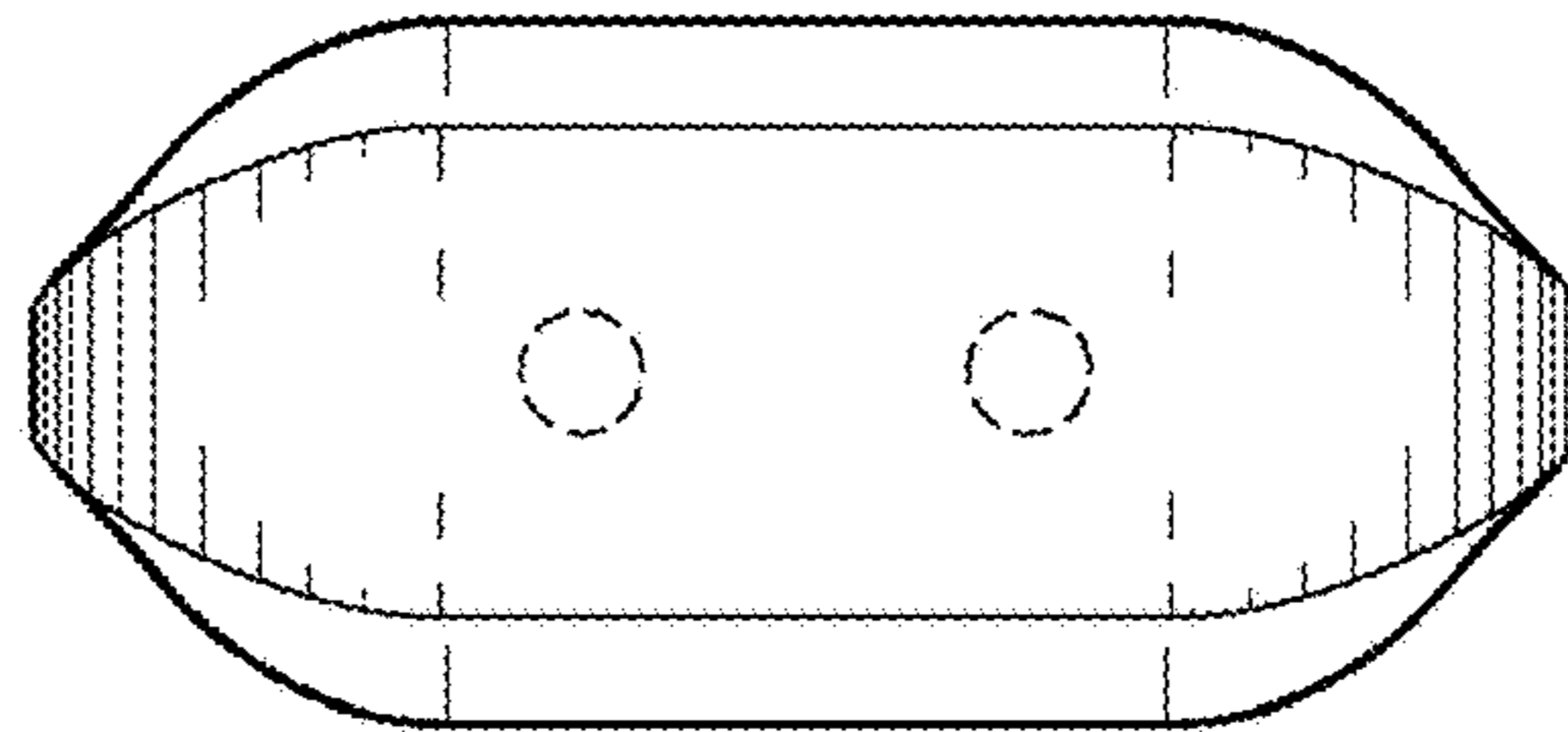


Fig-5

