



US00D821843S

(12) **United States Design Patent**  
**Graykowski et al.**

(10) **Patent No.:** **US D821,843 S**  
(45) **Date of Patent:** **\*\* Jul. 3, 2018**

(54) **PRY BAR**  
(71) Applicant: **Milwaukee Electric Tool Corporation**,  
Brookfield, WI (US)  
(72) Inventors: **Anthony S. Graykowski**, Port  
Washington, WI (US); **Joseph M.**  
**DeBaker**, Greenfield, WI (US)  
(73) Assignee: **MILWAUKEE ELECTRIC TOOL**  
**CORPORATION**, Brookfield, WI (US)  
(\*\*) Term: **15 Years**

6,598,857 B1 7/2003 Hernandez et al.  
6,663,082 B1 \* 12/2003 Ploeger ..... B25C 11/00  
254/129  
6,752,380 B1 6/2004 Taylor et al.  
D493,086 S 7/2004 Taylor et al.  
6,772,994 B1 \* 8/2004 Lawless ..... B25B 33/00  
254/25  
6,959,917 B2 11/2005 Hernandez et al.  
7,048,255 B2 \* 5/2006 Buch ..... B25C 11/00  
254/25  
D542,620 S \* 5/2007 Thompson ..... D8/107  
7,293,331 B2 11/2007 Lawless  
7,523,525 B2 \* 4/2009 Lawless ..... B25B 33/00  
16/430

(Continued)

(21) Appl. No.: **29/590,661**  
(22) Filed: **Jan. 12, 2017**  
(51) **LOC (11) Cl.** ..... **08-05**  
(52) **U.S. Cl.**  
USPC ..... **D8/89**  
(58) **Field of Classification Search**  
USPC ..... D8/14, 88, 89, 105, 82, 83  
CPC .. B25G 1/105; B25G 1/00; B25G 1/10; Y10T  
16/476; B25B 33/00; B25C 11/00  
See application file for complete search history.

FOREIGN PATENT DOCUMENTS

FR 1286757 3/1962  
FR 2220352 10/1974

*Primary Examiner* — Phillip S Hyder  
(74) *Attorney, Agent, or Firm* — Michael Best &  
Friedrich LLP

(57) **CLAIM**

We claim the ornamental design for a pry bar, as shown and described.

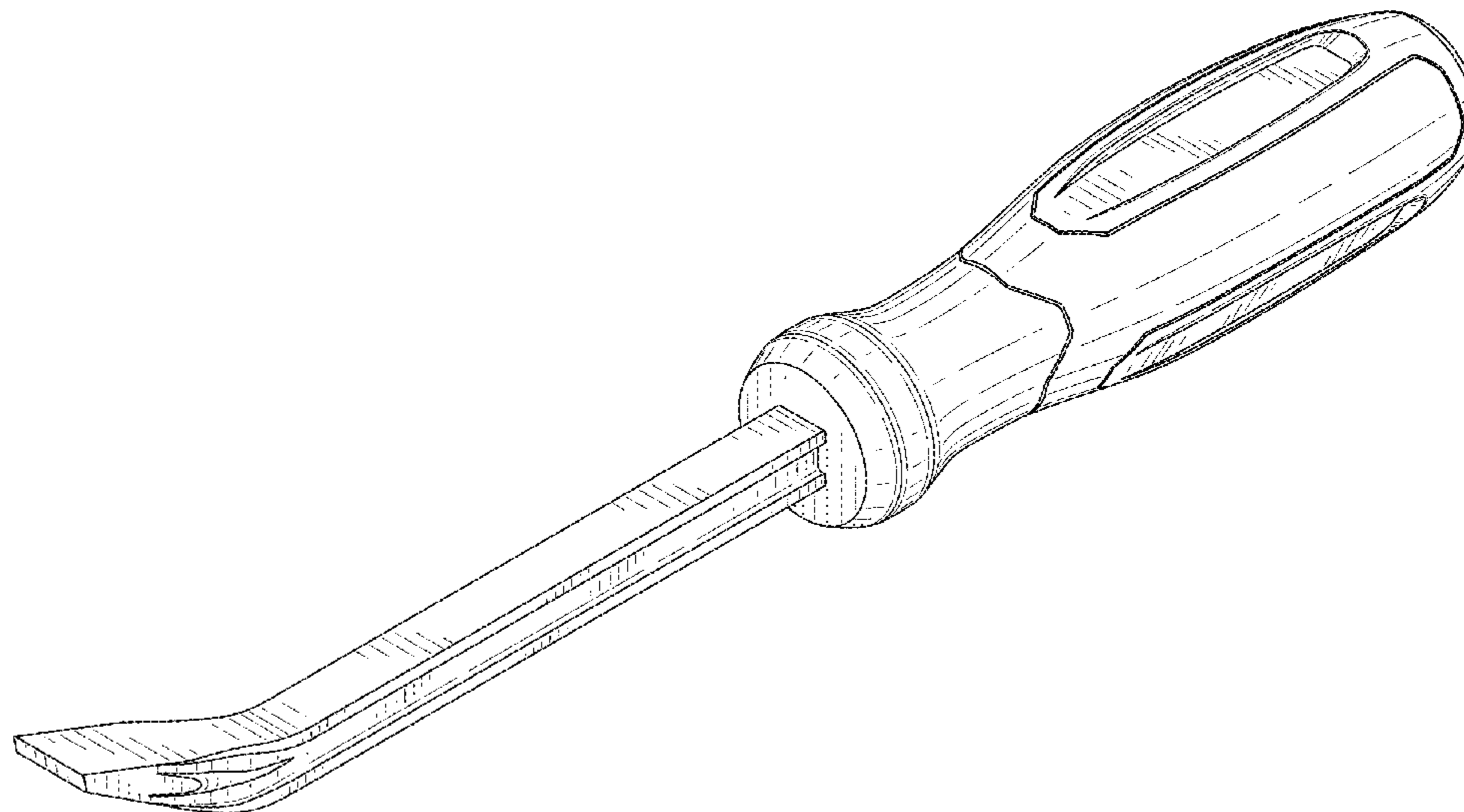
**DESCRIPTION**

FIG. 1 is a perspective view of a pry bar according to an embodiment of the invention.  
FIG. 2 is a first side view of the pry bar shown in FIG. 1.  
FIG. 3 is a second side view of the pry bar shown in FIG. 1.  
FIG. 4 is a first end view of the pry bar shown in FIG. 1.  
FIG. 5 is a second end view of the pry bar shown in FIG. 1.  
FIG. 6 is a third side view of the pry bar shown in FIG. 1; and,  
FIG. 7 is a fourth side view of the pry bar shown in FIG. 1.

**1 Claim, 4 Drawing Sheets**

(56) **References Cited**  
U.S. PATENT DOCUMENTS

2,026,581 A 1/1936 Lane  
D197,205 S 12/1963 Estwing  
D202,687 S 10/1965 Estwing  
3,772,994 A 11/1973 Juarbe  
4,287,623 A 9/1981 Tarran  
D355,103 S \* 2/1995 Bartlett ..... D8/14  
5,495,651 A \* 3/1996 Tsuha ..... B25B 27/02  
254/25  
6,308,934 B1 10/2001 Gallo  
6,471,186 B1 \* 10/2002 Lawless ..... B25C 11/00  
254/25  
D465,389 S \* 11/2002 Norton ..... D8/14  
6,513,788 B1 2/2003 Ashe



(56)

**References Cited**

U.S. PATENT DOCUMENTS

D593,835 S \* 6/2009 Good ..... D8/89  
7,574,776 B2 8/2009 Lawless  
D642,887 S \* 8/2011 Good ..... D8/83  
8,032,991 B2 \* 10/2011 Lawless ..... B25G 1/105  
16/430  
D671,813 S \* 12/2012 Lin ..... D8/83  
2008/0072713 A1 3/2008 Chen  
2008/0072714 A1 3/2008 Chen  
2011/0315326 A1 12/2011 Jouve et al.

\* cited by examiner

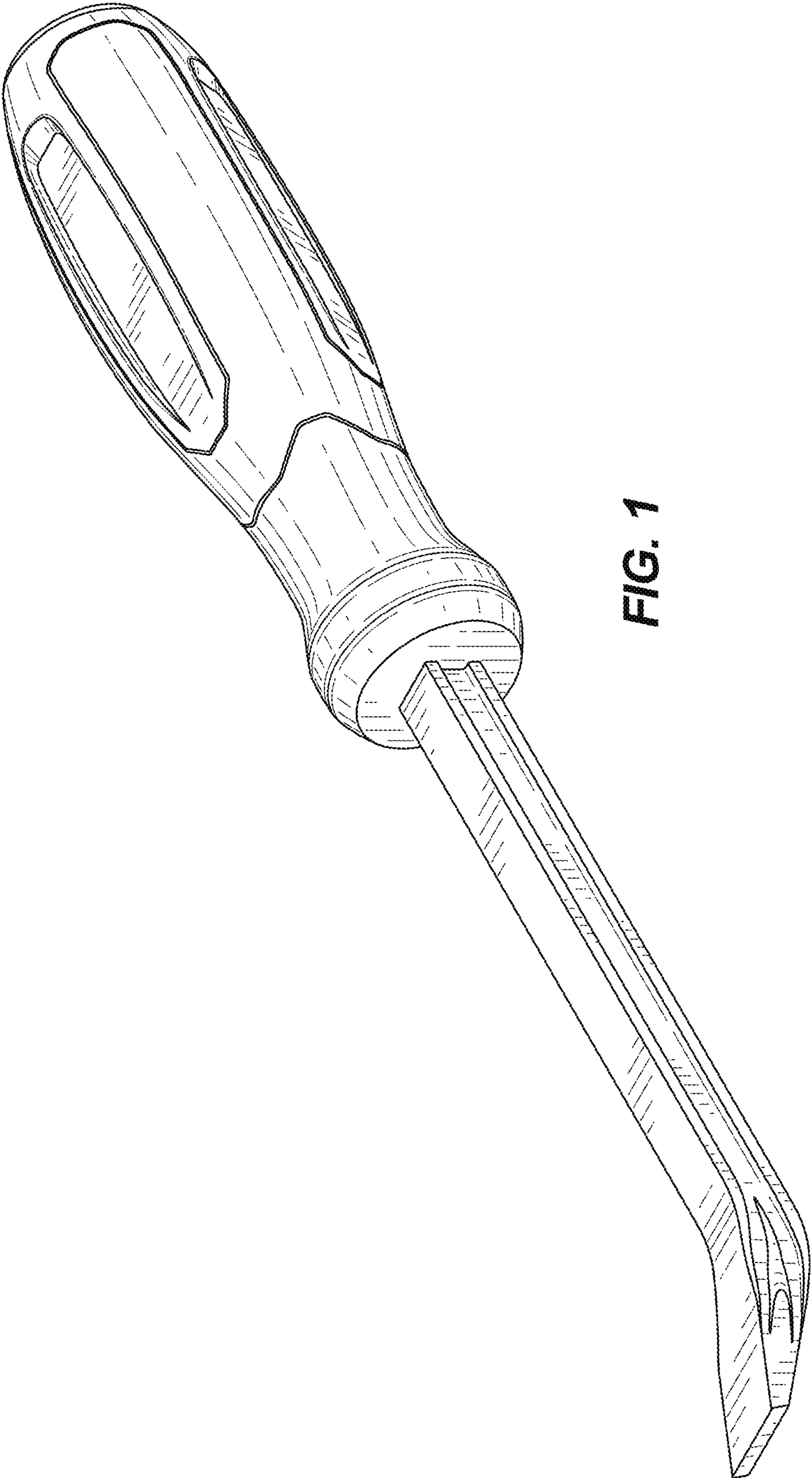
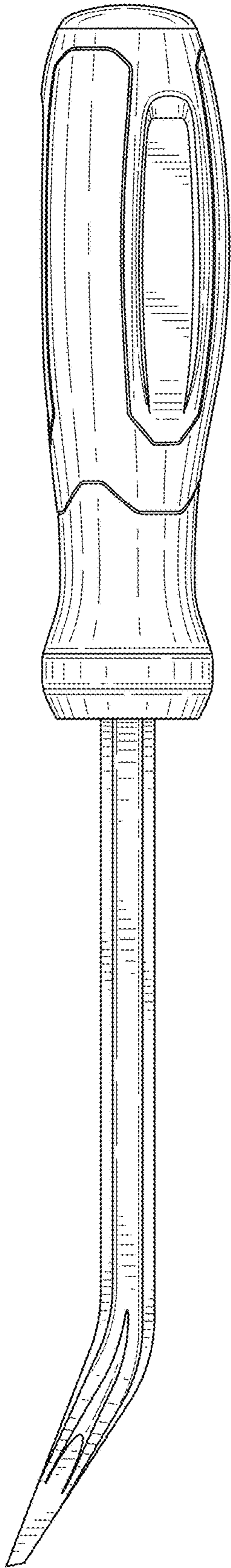
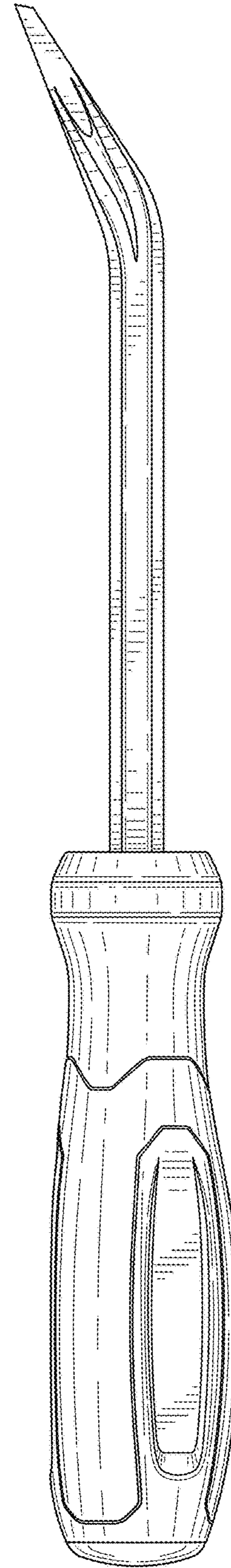


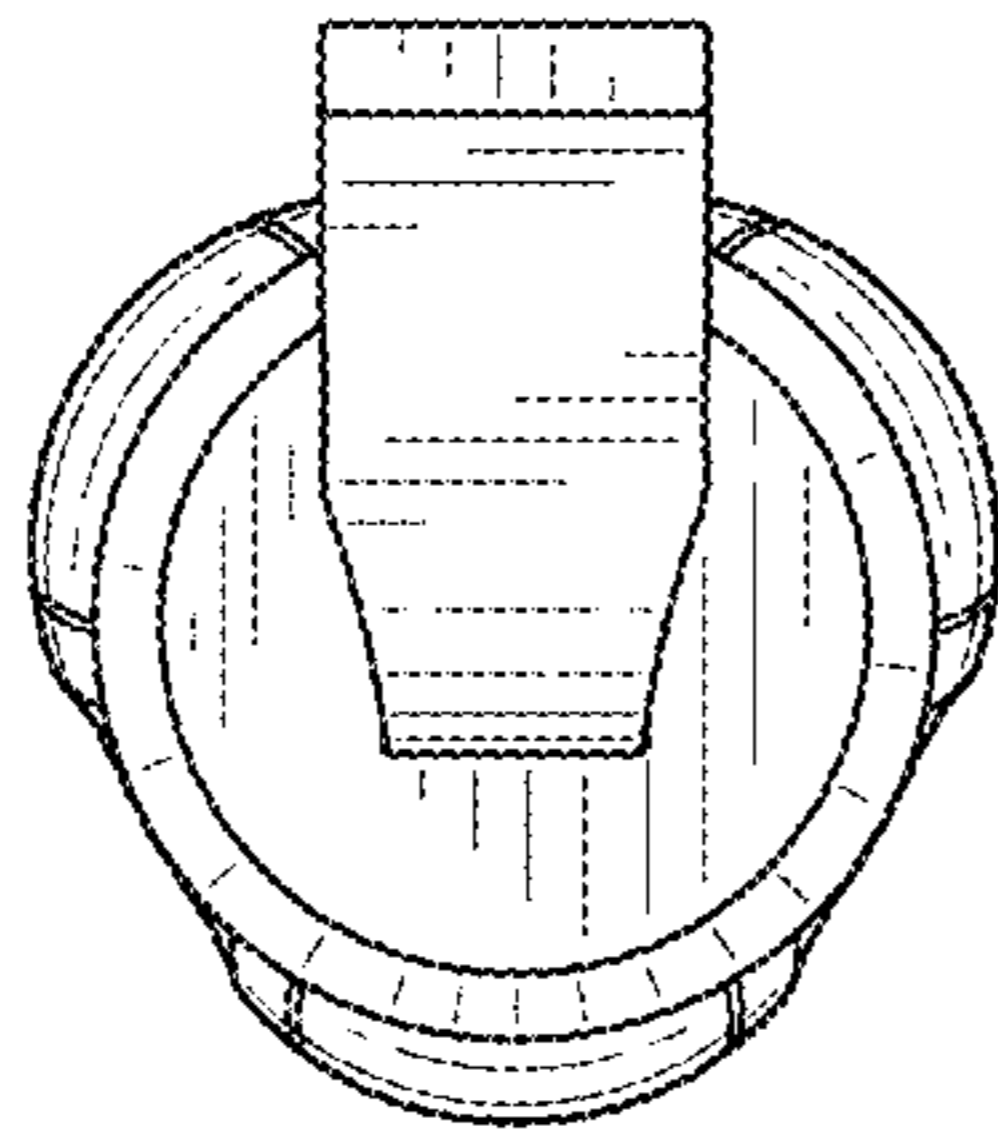
FIG. 1



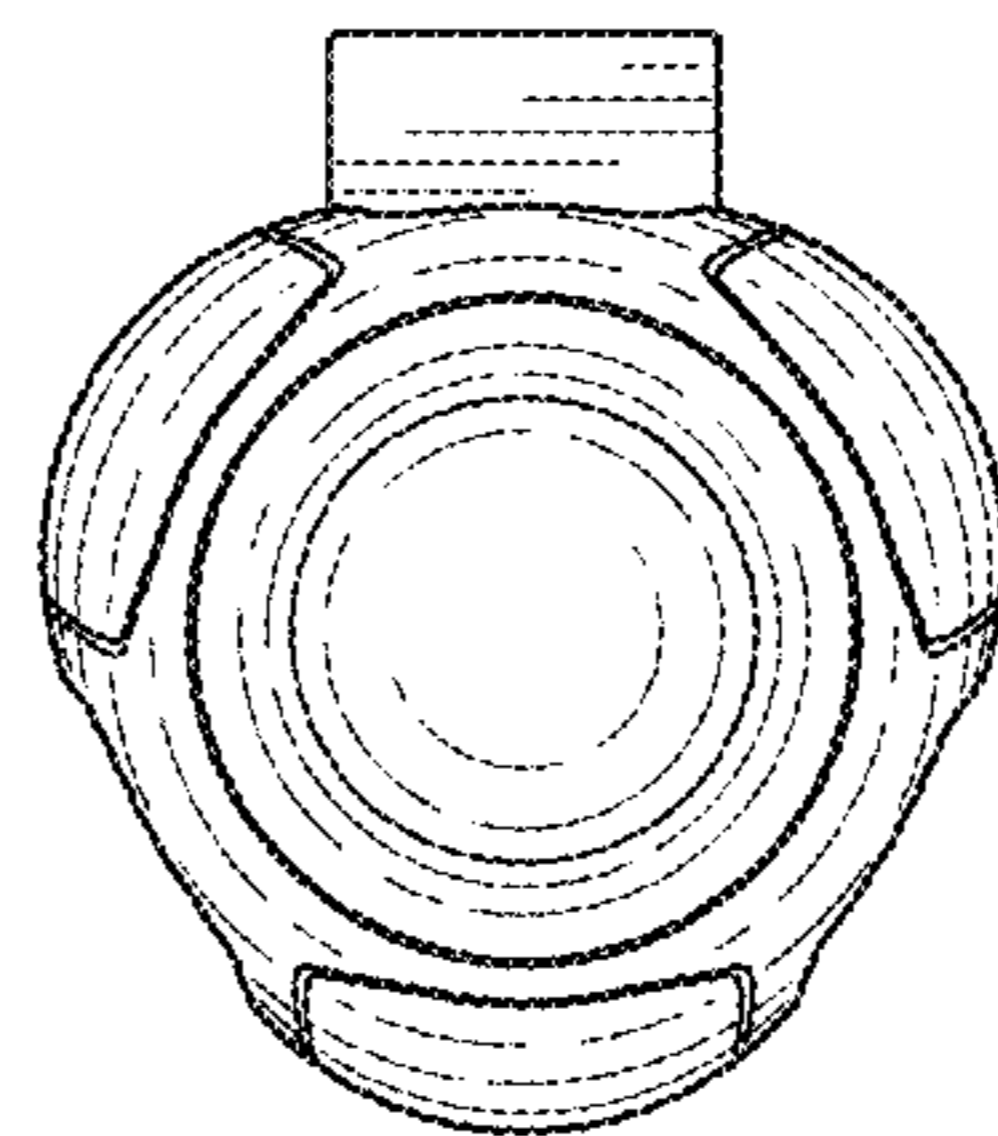
**FIG. 2**



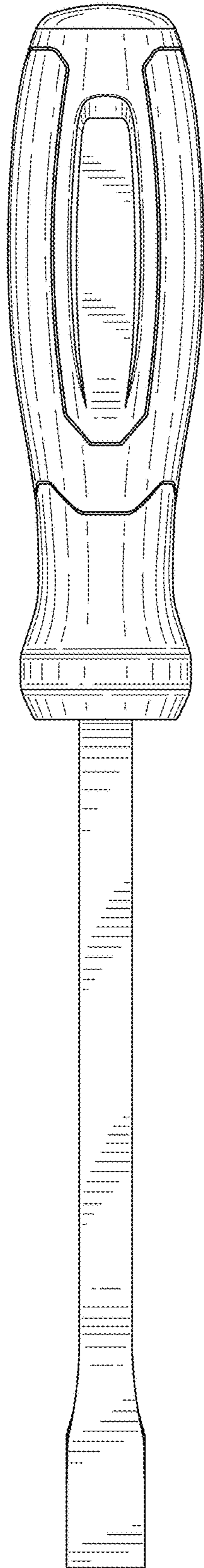
**FIG. 3**



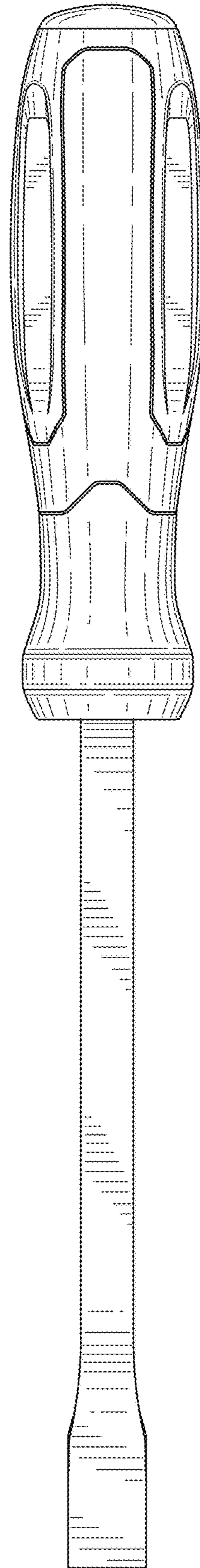
**FIG. 4**



**FIG. 5**



**FIG. 6**



**FIG. 7**