



US00D821841S

(12) **United States Design Patent**
Honadel et al.

(10) **Patent No.:** **US D821,841 S**
(45) **Date of Patent:** **** Jul. 3, 2018**

- (54) **DEMOLITION TOOL**
- (71) Applicant: **Fiskars Brands, Inc.**, Middleton, WI (US)
- (72) Inventors: **Aaron Honadel**, Verona, WI (US);
Colin Roberts, Madison, WI (US);
Steve Stokes, Fitchburg, WI (US)
- (73) Assignee: **Fiskars Brands, Inc.**, Middleton, WI (US)
- (**) Term: **15 Years**
- (21) Appl. No.: **29/575,880**
- (22) Filed: **Aug. 30, 2016**
- (51) **LOC (11) Cl.** **08-02**
- (52) **U.S. Cl.**
USPC **D8/81**
- (58) **Field of Classification Search**
USPC D8/75, 76, 77, 78, 79, 80, 81
CPC ... B25D 1/00; B25D 1/02; B25D 1/04; B25D 1/045; B25D 1/06; B25D 1/12; B25G 1/01; B25G 1/02; B25G 1/102; B25F 1/00
See application file for complete search history.

- D507,167 S 7/2005 Richardson
- 7,066,052 B2 6/2006 Chen
- D562,101 S 2/2008 Martone et al.
- D567,620 S 4/2008 Martone et al.
- D572,106 S 7/2008 Chen
- D577,273 S 9/2008 Chen
- D577,274 S 9/2008 Chen
- D577,978 S 10/2008 Chen
- D588,894 S 3/2009 Chen
- D590,230 S 4/2009 Martone et al.
- D595,555 S 7/2009 Vanderbeek
- D605,020 S 12/2009 Martone et al.
- D626,396 S 11/2010 Gehman et al.
- 7,874,231 B2 1/2011 Hanlon
- D637,058 S 5/2011 Gehman et al.
- 8,024,994 B2 9/2011 St. John et al.
- 8,056,443 B2 11/2011 Hanlon
- 8,117,702 B2 2/2012 Woolley et al.
- 8,387,486 B2 3/2013 Hanlon
- 8,458,838 B2 6/2013 Trice
- 8,585,016 B2 11/2013 Woolley et al.

(Continued)

Primary Examiner — Phillip S Hyder

(74) *Attorney, Agent, or Firm* — Foley & Lardner LLP

(57) **CLAIM**

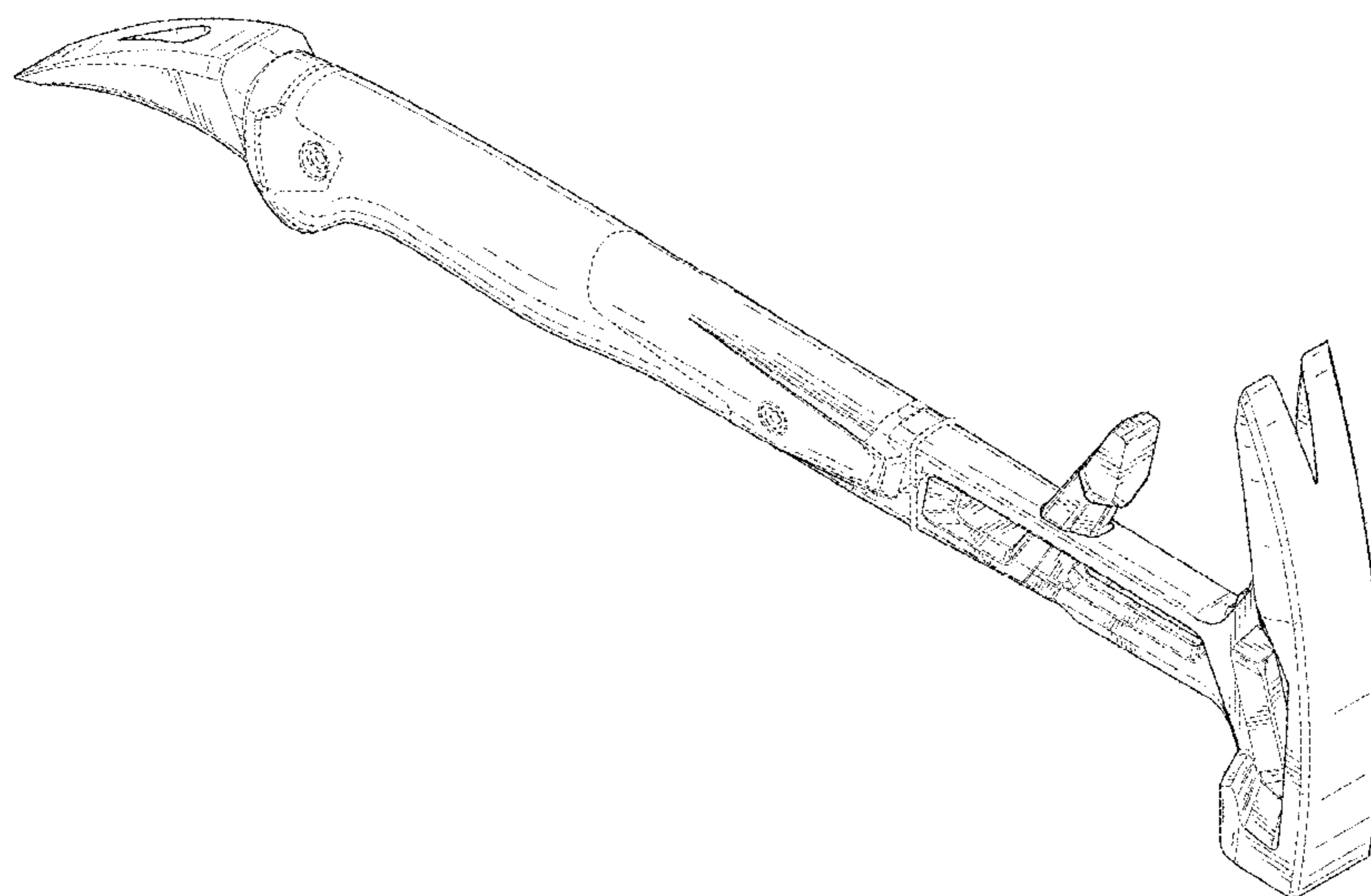
We claim the ornamental design for a demolition tool, as shown and described.

DESCRIPTION

FIG. 1 is a front perspective view of an embodiment of the claimed design;
 FIG. 2 is a right side view thereof;
 FIG. 3 is a left side view thereof;
 FIG. 4 is a front view thereof;
 FIG. 5 is a rear view thereof;
 FIG. 6 is a top view thereof; and,
 FIG. 7 is a bottom view thereof.
 The broken lines depict portions of the demolition tool in which the design is embodied that are not considered part of the claimed design.

1 Claim, 5 Drawing Sheets

- (56) **References Cited**
U.S. PATENT DOCUMENTS
- 4,155 A 8/1845 Anderson
- 499,322 A 6/1893 Heckert
- 513,271 A 1/1894 Matthews
- 1,469,472 A 10/1923 Bangert
- 3,219,316 A 11/1965 Fried
- 3,705,430 A 12/1972 Ziaylek, Jr.
- D300,111 S 3/1989 Square
- 5,428,853 A 7/1995 Menke et al.
- D390,082 S 2/1998 Higgs
- 5,850,650 A 12/1998 Karsnia
- D449,770 S 10/2001 Chen



(56)

References Cited

U.S. PATENT DOCUMENTS

8,661,592	B2	3/2014	Trice	
8,770,548	B2 *	7/2014	Hanlon B25D 1/06 254/26 R
8,914,929	B2	12/2014	Hanlon	
D747,943	S *	1/2016	Hung D8/75
D752,940	S *	4/2016	Deng D8/81
D770,254	S *	11/2016	Honadel D8/75
D770,875	S *	11/2016	Honadel D8/75
D789,760	S *	6/2017	Hung D8/75
2009/0271929	A1	11/2009	Adams et al.	
2010/0043149	A1	2/2010	Chen	

* cited by examiner

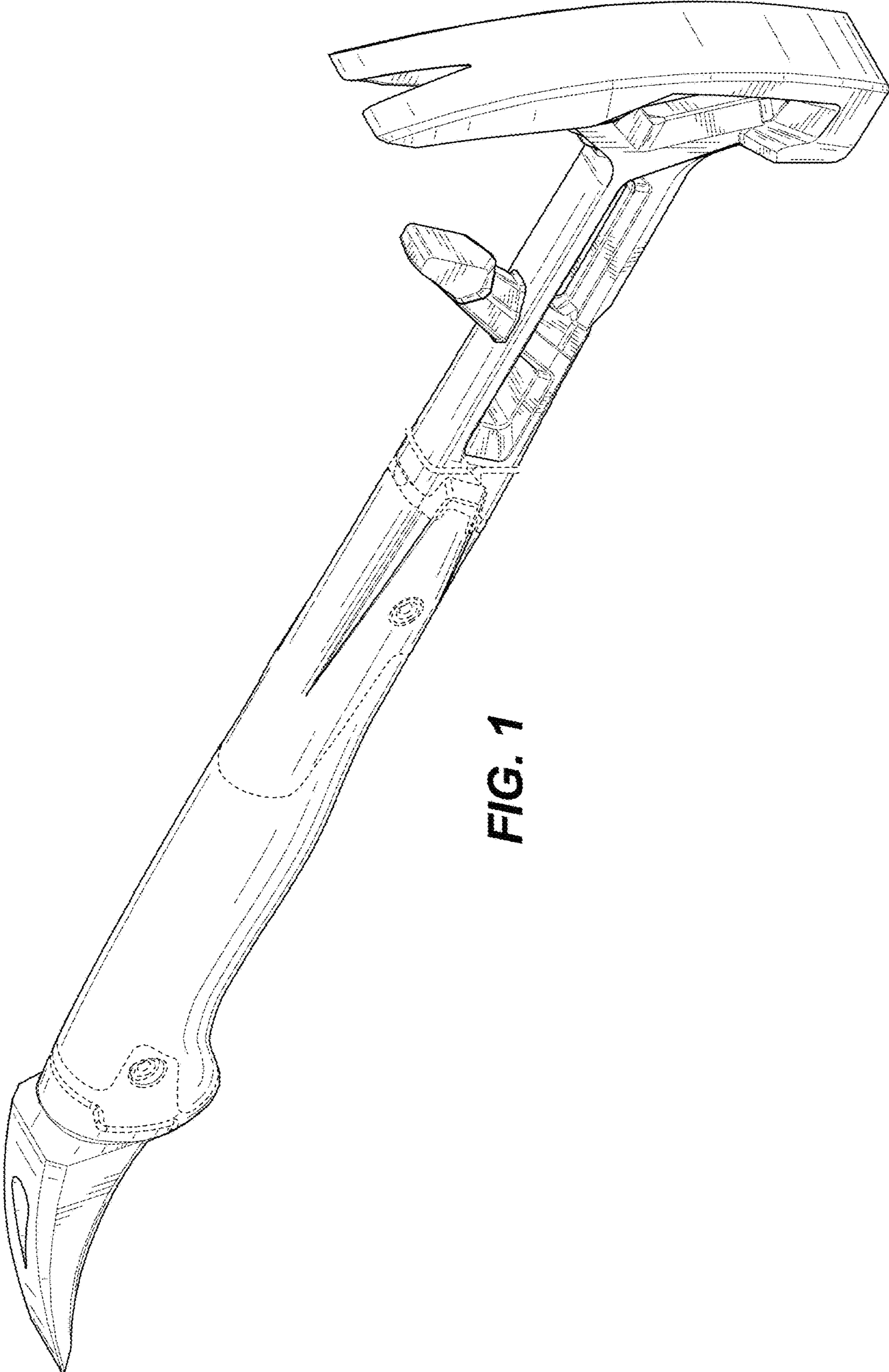


FIG. 1

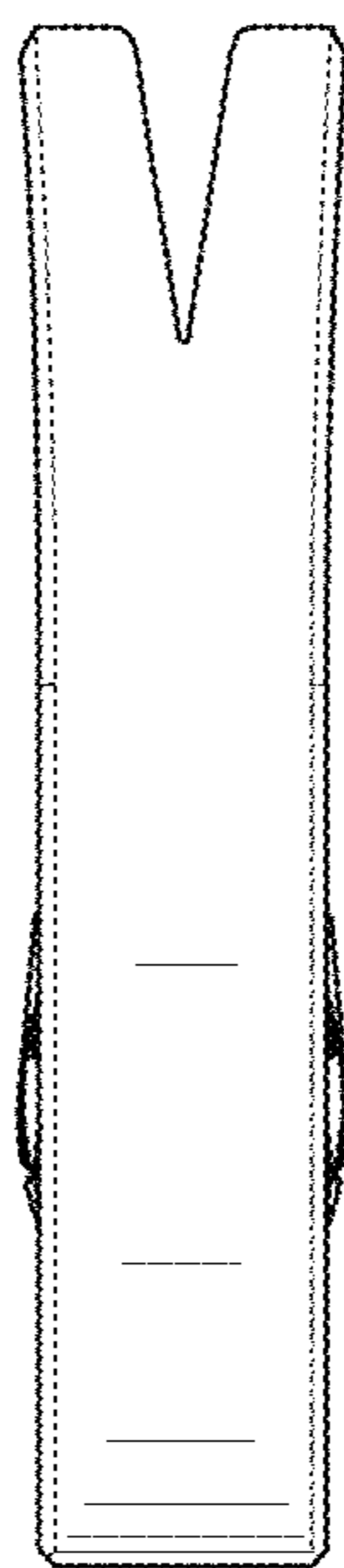


FIG. 2

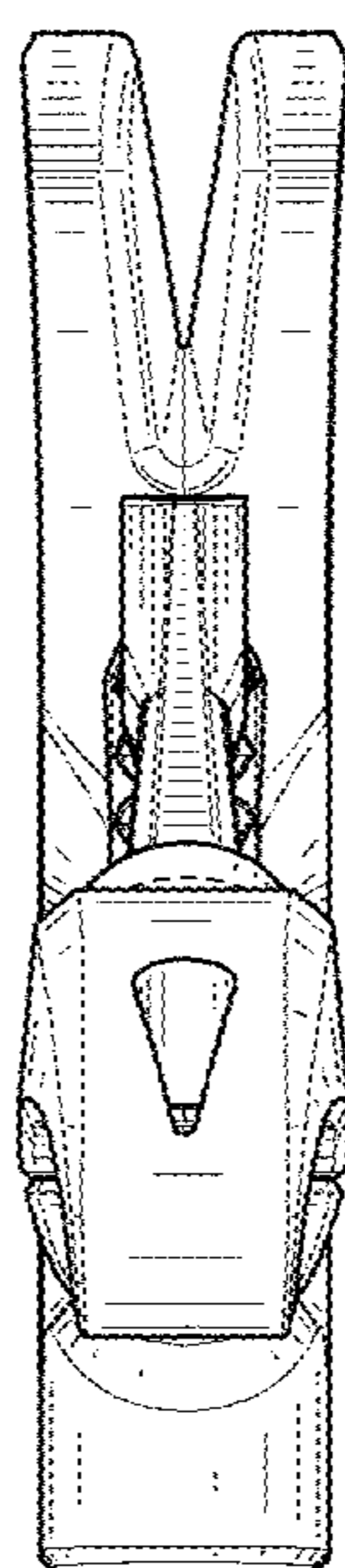


FIG. 3

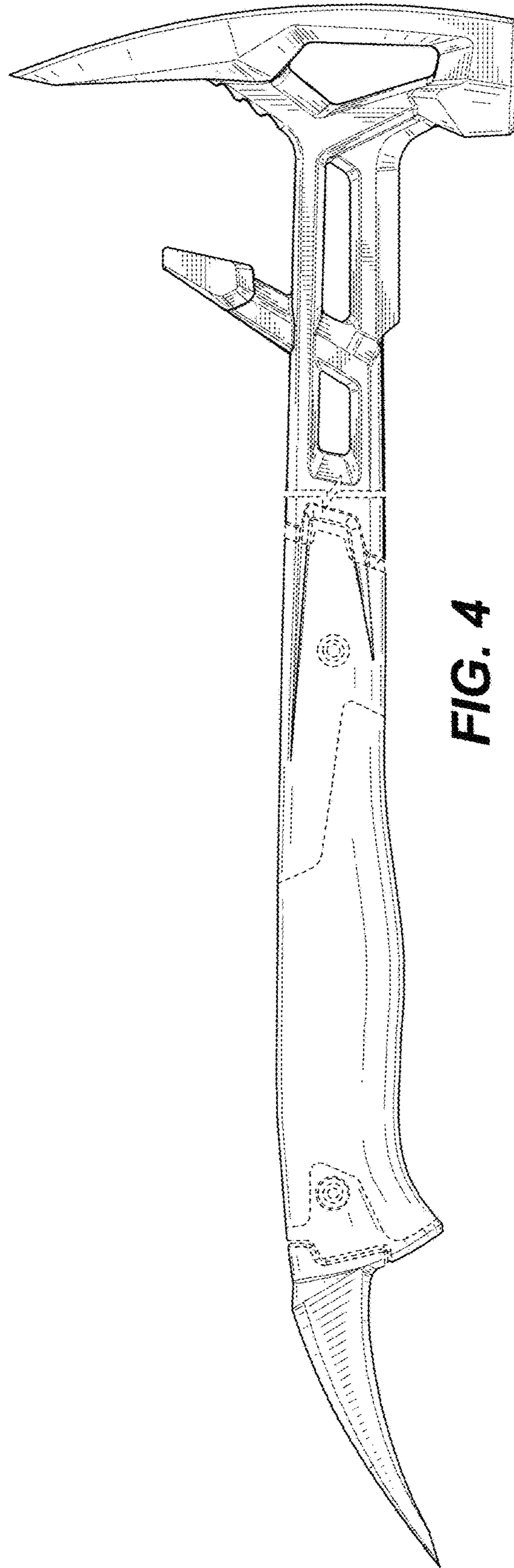


FIG. 4

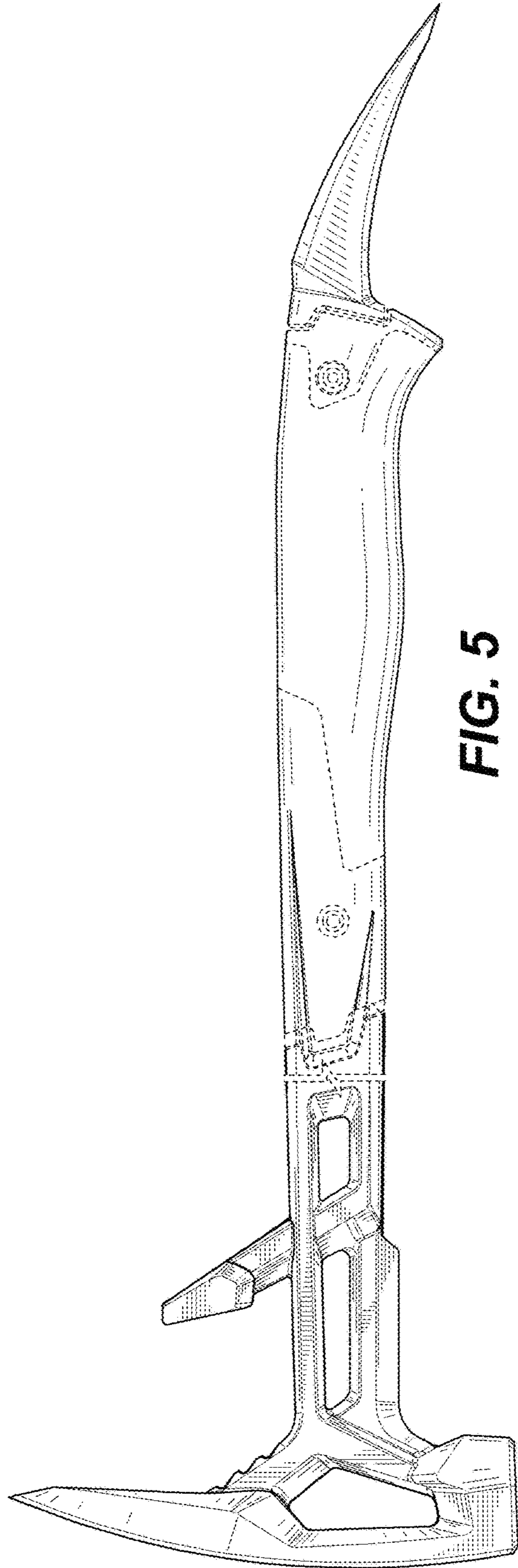


FIG. 6

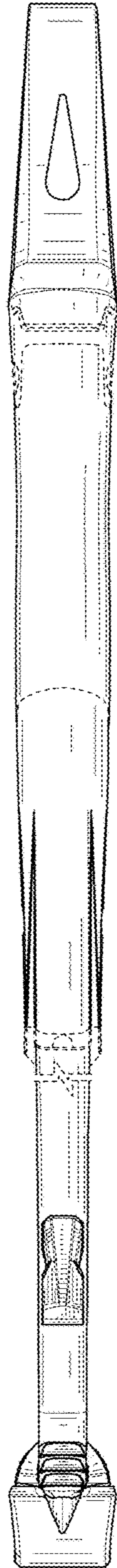


FIG. 7

