



US00D821840S

(12) **United States Design Patent**  
**Valentini**

(10) **Patent No.:** **US D821,840 S**  
(45) **Date of Patent:** **\*\* Jul. 3, 2018**

(54) **SANDING MACHINE**

8,435,096 B2 \* 5/2013 Chen ..... B23Q 11/0046  
451/357

(71) Applicant: **Guido Valentini**, Milan (IT)

D722,853 S \* 2/2015 Takahashi ..... D8/61

(72) Inventor: **Guido Valentini**, Milan (IT)

D732,363 S \* 6/2015 Finnas ..... D8/62

D739,199 S \* 9/2015 Finnaes ..... D8/62

D740,635 S \* 10/2015 Liaw ..... D8/62

(\*\*) Term: **15 Years**

2009/0239453 A1 \* 9/2009 Nordstrom ..... B24B 23/02  
451/359

(21) Appl. No.: **29/591,938**

\* cited by examiner

(22) Filed: **Jan. 25, 2017**

*Primary Examiner* — Austin Murphy

(30) **Foreign Application Priority Data**

(74) *Attorney, Agent, or Firm* — Ware, Fressola, Maguire & Barber LLP

Aug. 15, 2016 (EM) ..... 003341817

(51) **LOC (11) Cl.** ..... **08-03**

(52) **U.S. Cl.**

USPC ..... **D8/62**

(58) **Field of Classification Search**

USPC .... D8/69, 68, 67, 66, 64, 61, 70; 83/698.41,  
83/747, 166.3, 374, 373, 375, 376, 391,  
83/377, 390, 388, 389; 125/13.01;  
144/218; D21/532

CPC ..... B24B 23/028; B24B 47/12; B24B 7/186;  
B25F 5/001; B25F 5/02

See application file for complete search history.

(56) **References Cited**

U.S. PATENT DOCUMENTS

6,132,301 A \* 10/2000 Kaiser ..... B24B 23/005  
451/344

7,270,598 B2 \* 9/2007 Dutterer ..... B24B 23/03  
451/343

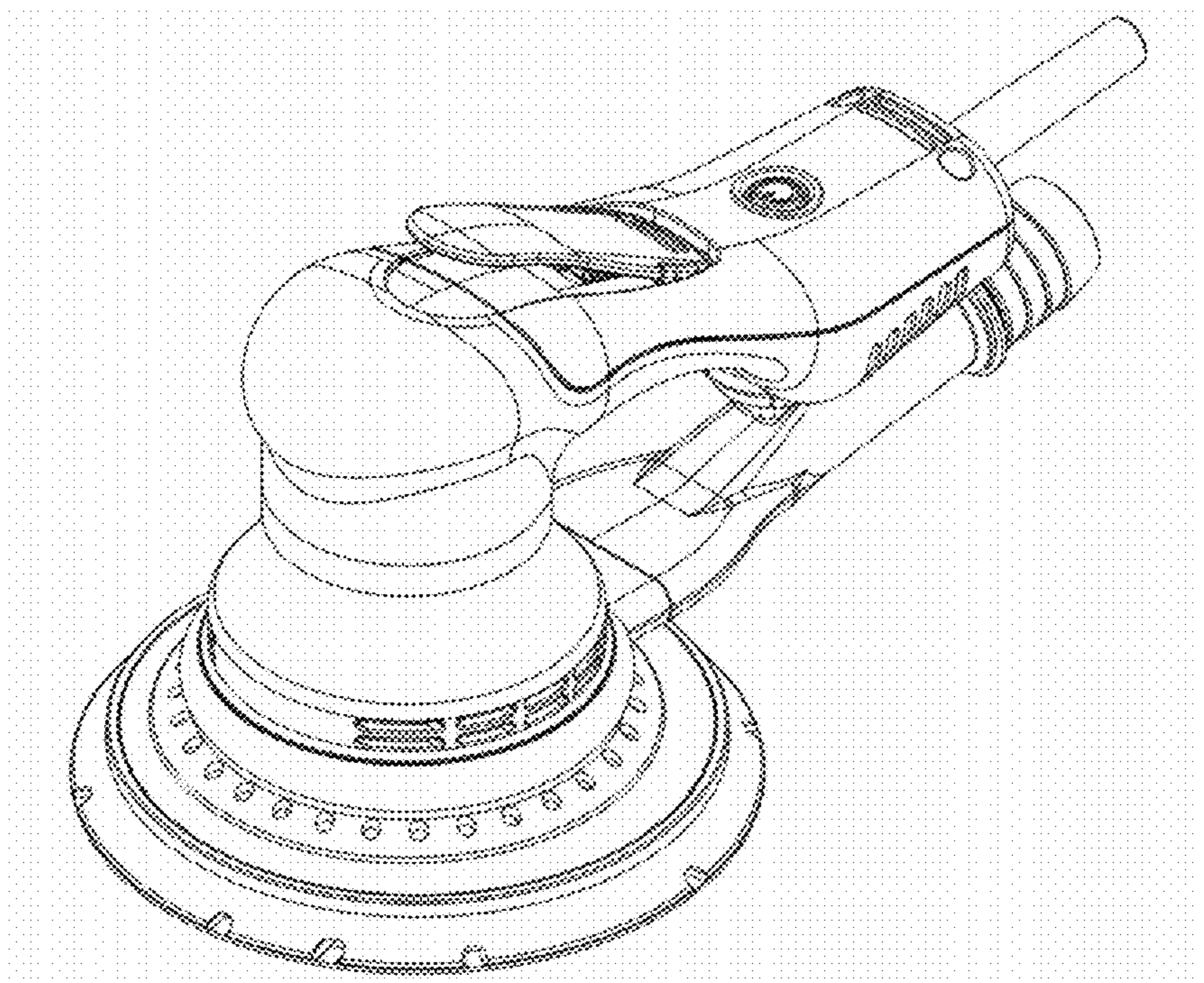
(57) **CLAIM**

I claim the ornamental design of the sanding machine, as shown and described herein.

**DESCRIPTION**

FIG. 1 shows the perspective view of the sanding machine; FIG. 2 shows the front view of the sanding machine; FIG. 3 shows the side view of the sanding machine; FIG. 4 shows the rear view of the sanding machine; and, FIG. 5 shows the top view of the sanding machine.

**1 Claim, 5 Drawing Sheets**



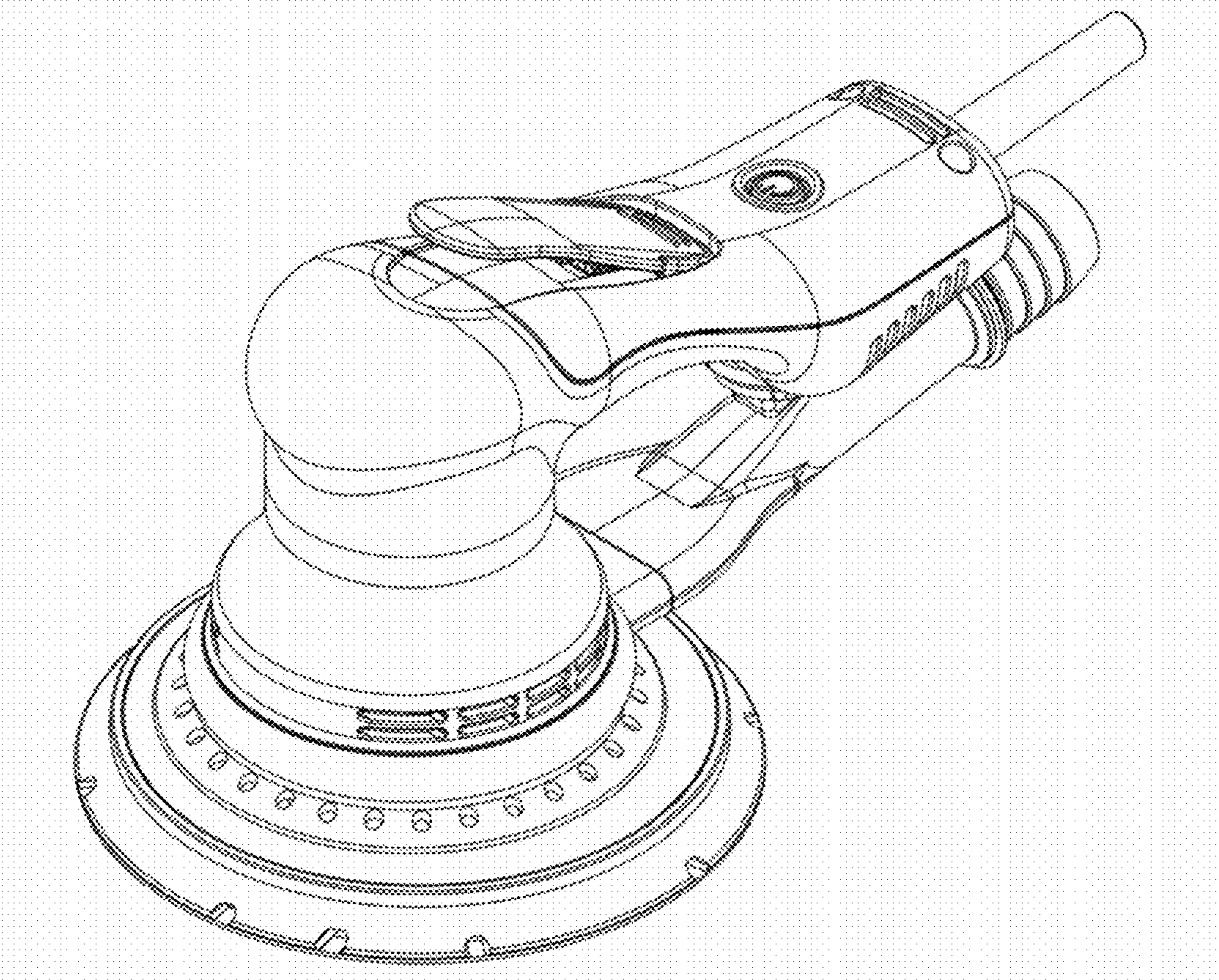


FIGURE 1

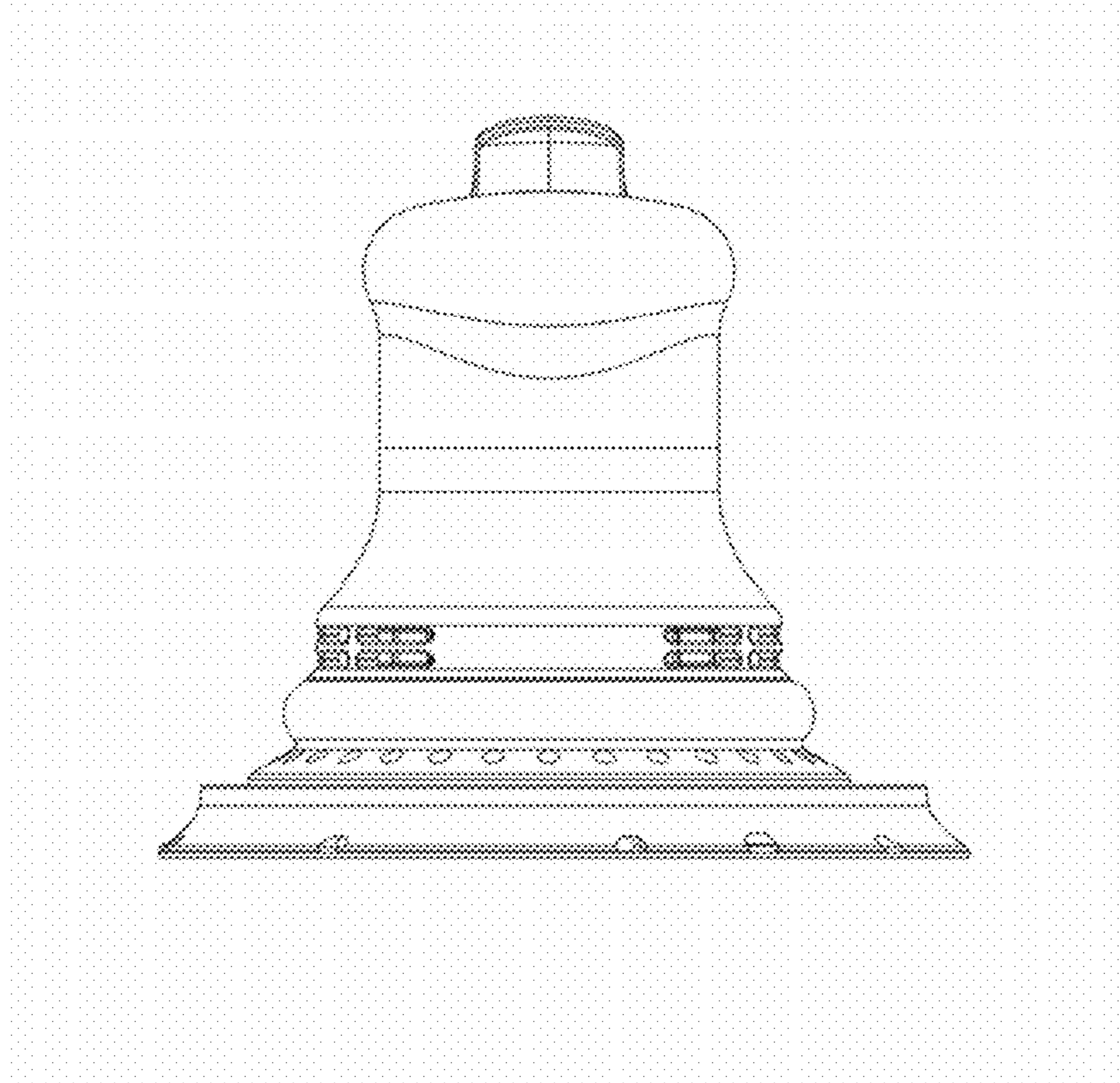


FIGURE 2



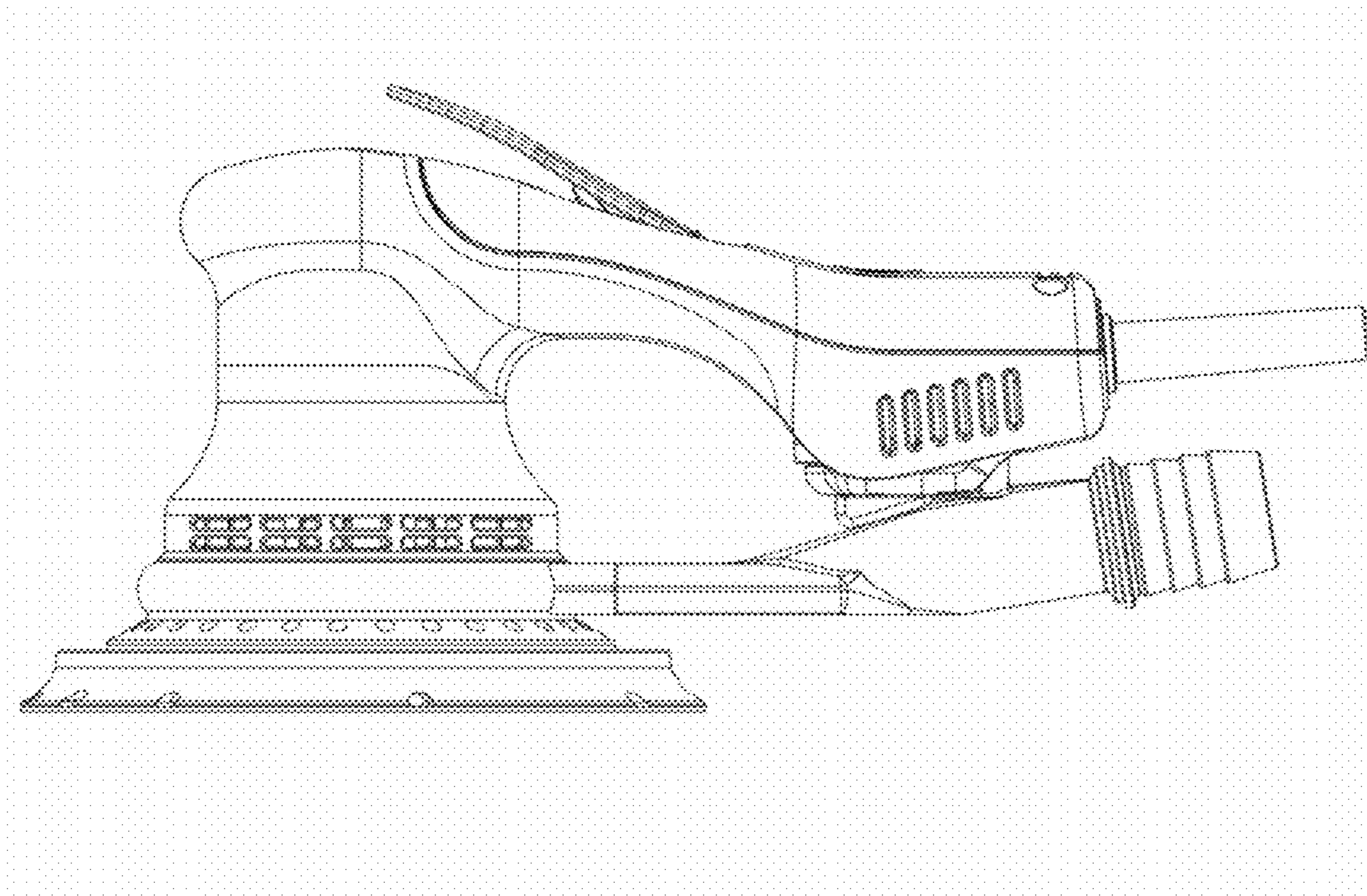


FIGURE 3

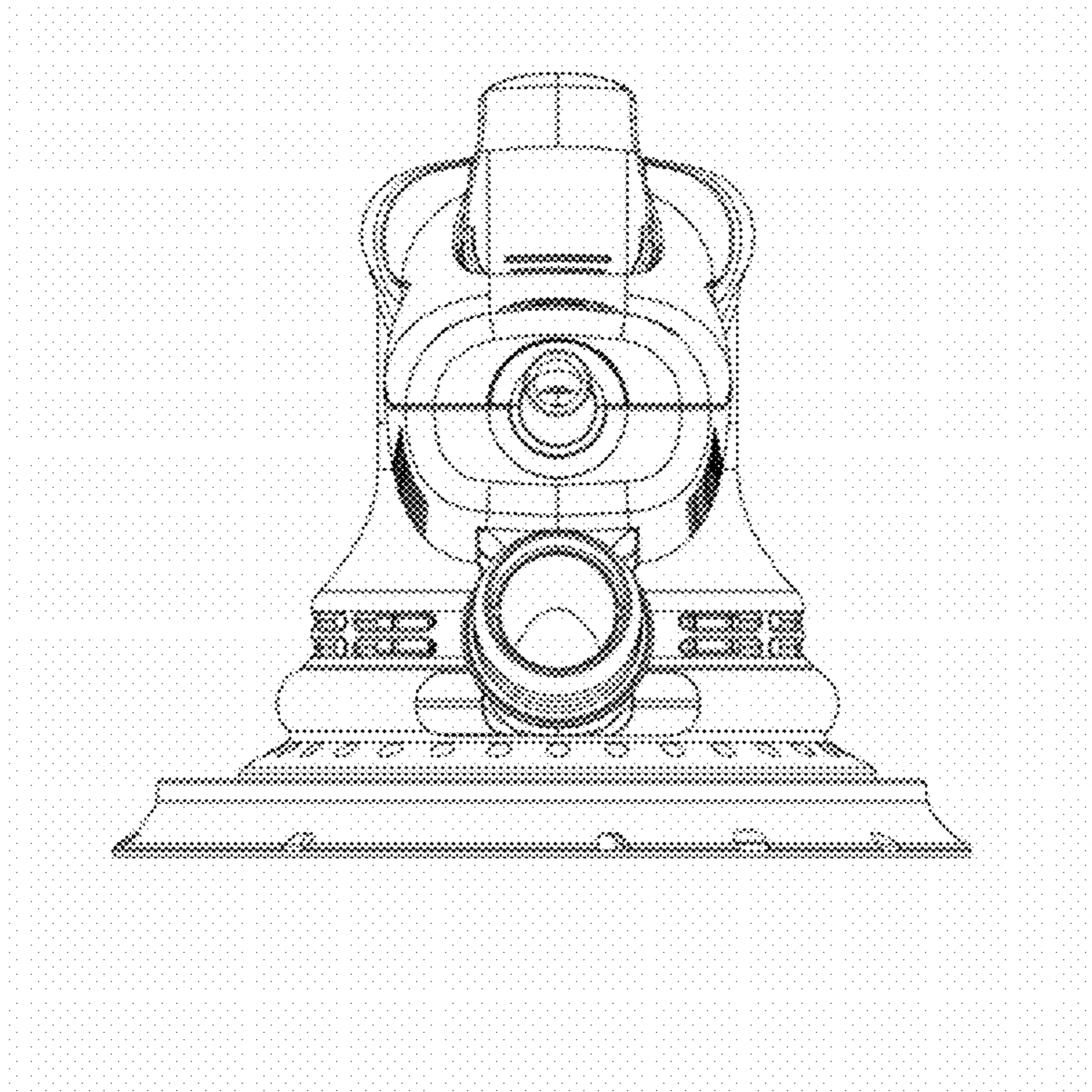


FIGURE 4

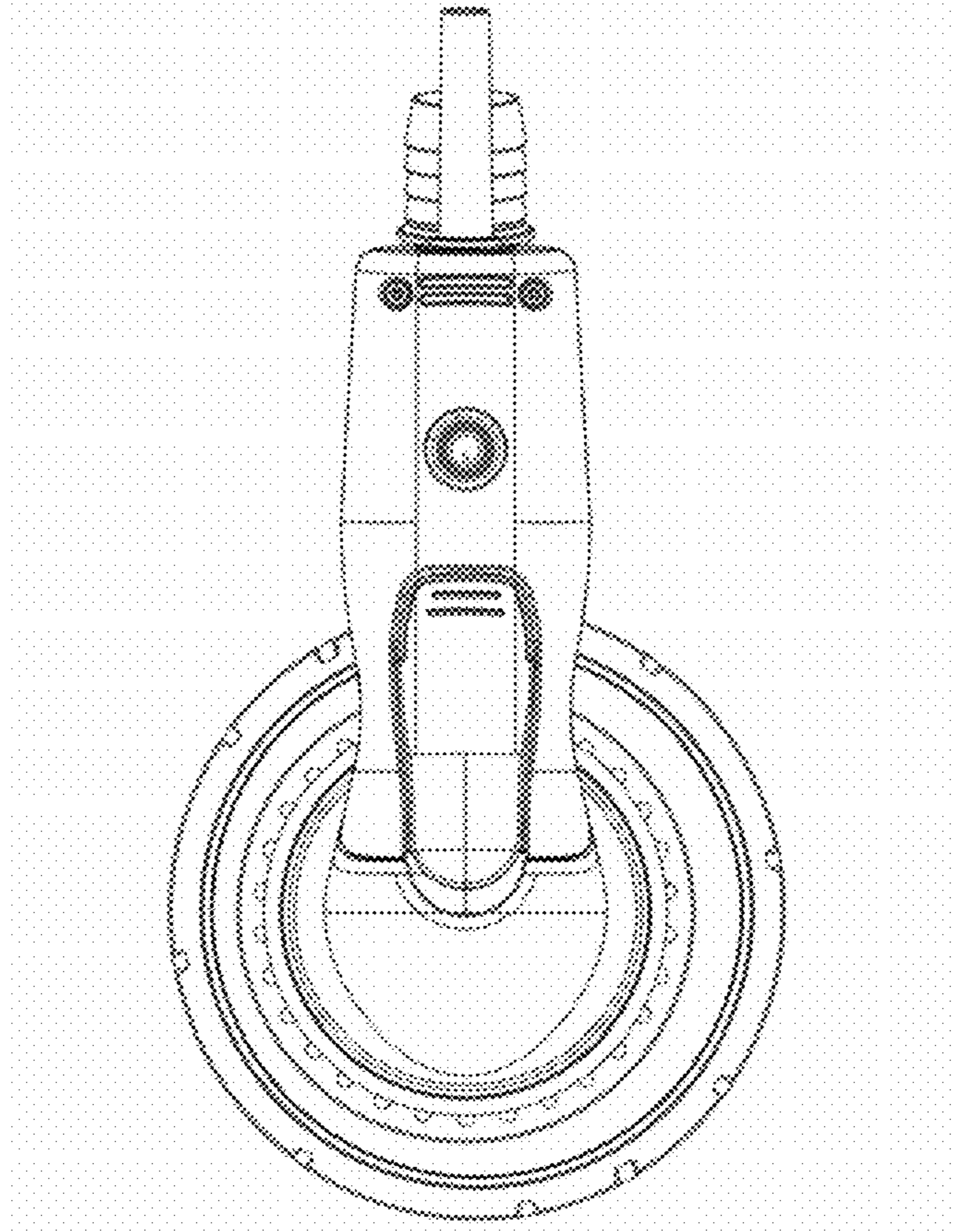


FIGURE 5