



US00D821838S

(12) **United States Design Patent**  
**Castellanos**

(10) **Patent No.:** **US D821,838 S**  
(45) **Date of Patent:** **\*\* Jul. 3, 2018**

(54) **TILE SPACING AND LEVELING DEVICE**

(71) Applicant: **Invention Holdings Pty Ltd**, West Burleigh, QLD (AU)

(72) Inventor: **Peter Castellanos**, West Burleigh (AU)

(73) Assignee: **INVENTION HOLDINGS PTY LTD**, West Burleigh (AU)

(\*\*) Term: **15 Years**

(21) Appl. No.: **29/588,235**

(22) Filed: **Dec. 19, 2016**

(51) **LOC (11) Cl.** ..... **08-05**

(52) **U.S. Cl.**  
USPC ..... **D8/47**

(58) **Field of Classification Search**  
USPC ..... D8/14, 47, 71; 52/747.11  
CPC . E04F 21/00; E04F 21/18; E04F 21/22; E04F 21/1877; E04F 13/0092; E04F 13/00892  
See application file for complete search history.

(56) **References Cited**

**U.S. PATENT DOCUMENTS**

7,992,354 B2 *	8/2011	Doda, Jr. ....	E04F 13/0892
			52/127.7
8,429,878 B1 *	4/2013	Hoffman ....	E04F 13/0889
			52/747.11
8,429,879 B1 *	4/2013	Hoffman ....	E04F 21/0092
			52/747.11
8,671,682 B2 *	3/2014	Parlow ....	F02B 37/00
			60/602
8,800,246 B2 *	8/2014	Gorton ....	E04F 21/0092
			52/747.11
8,887,475 B2 *	11/2014	Ghelfi ....	E04F 21/0092
			52/749.11
D760,566 S *	7/2016	Biec ....	D8/47

\* cited by examiner

*Primary Examiner* — Philip S Hyder

(74) *Attorney, Agent, or Firm* — Kirton McConkie; Evan R. Witt

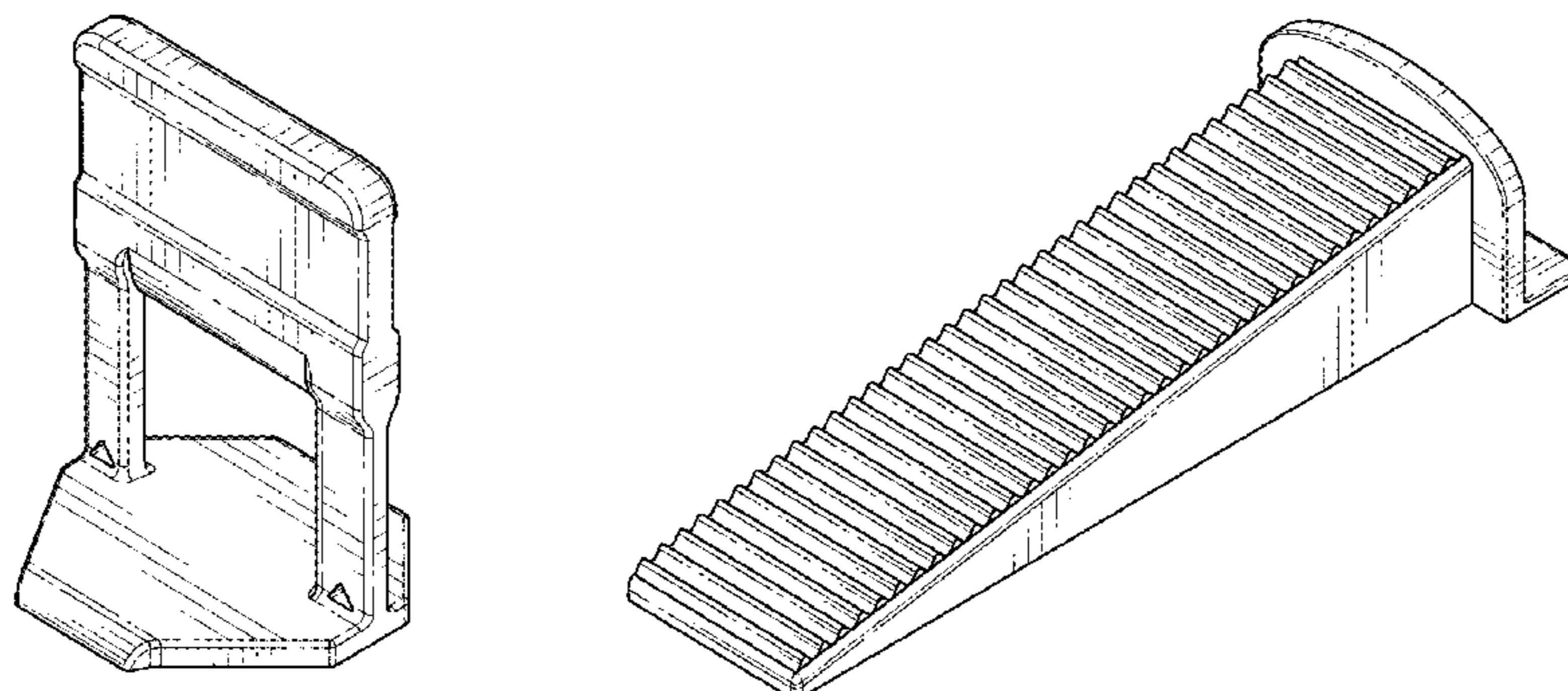
(57) **CLAIM**

The ornamental design for a tile spacing and leveling device, as shown and described.

**DESCRIPTION**

FIG. 1 is a front perspective view of a tile spacing and leveling device showing my new design.  
 FIG. 2 is a front view thereof.  
 FIG. 3 is a rear view thereof.  
 FIG. 4 is a left-side elevation view thereof.  
 FIG. 5 is a right-side elevation view thereof.  
 FIG. 6 is a top view thereof.  
 FIG. 7 is a front perspective view of the tile spacing and leveling device showing a wedge engaged in a spacer with broken lines representing tiles.  
 FIG. 8 is a left-side elevation view of the tile spacing and leveling device showing the wedge engaged in the spacer with broken lines representing tiles.  
 FIG. 9 is a rear perspective view of the tile spacing and leveling device showing the wedge engaged in the spacer with broken lines representing tiles.  
 FIG. 10 is a front perspective view of a second embodiment of a tile spacing and leveling device showing square-shaped holes at the base of the spacer.  
 FIG. 11 is a front view thereof.  
 FIG. 12 is a rear view thereof.  
 FIG. 13 is a front perspective view of a third embodiment of a tile spacing and leveling device showing rectangle-shaped holes at the base of the spacer.  
 FIG. 14 is a front view thereof.  
 FIG. 15 is a rear view thereof.  
 FIG. 16 is a front perspective view of a fourth embodiment of a tile spacing and leveling device showing half-round-shaped holes at the base of the spacer.  
 FIG. 17 is a front view thereof; and,  
 FIG. 18 is a rear view thereof.

**1 Claim, 12 Drawing Sheets**



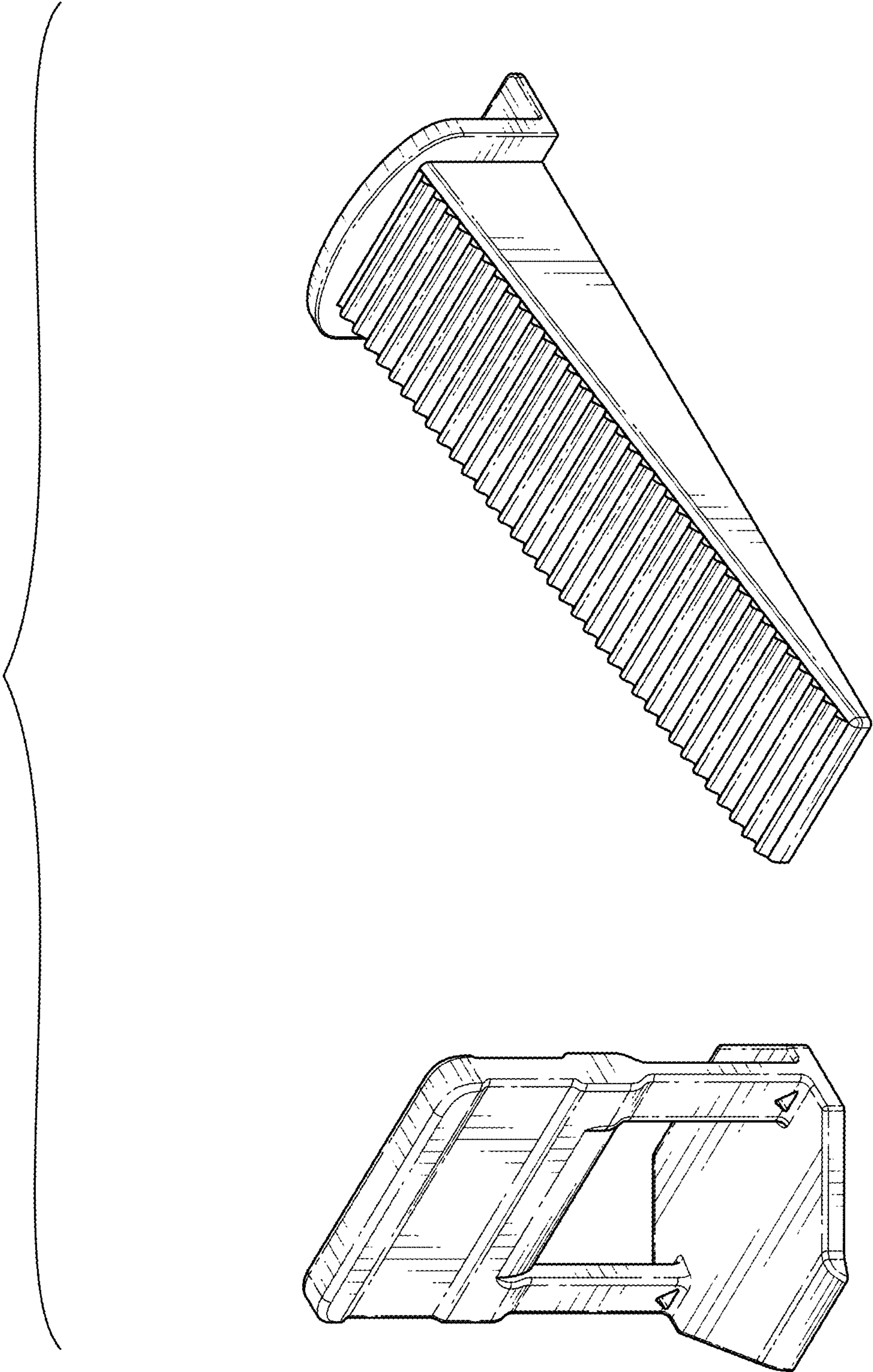


FIG. 1

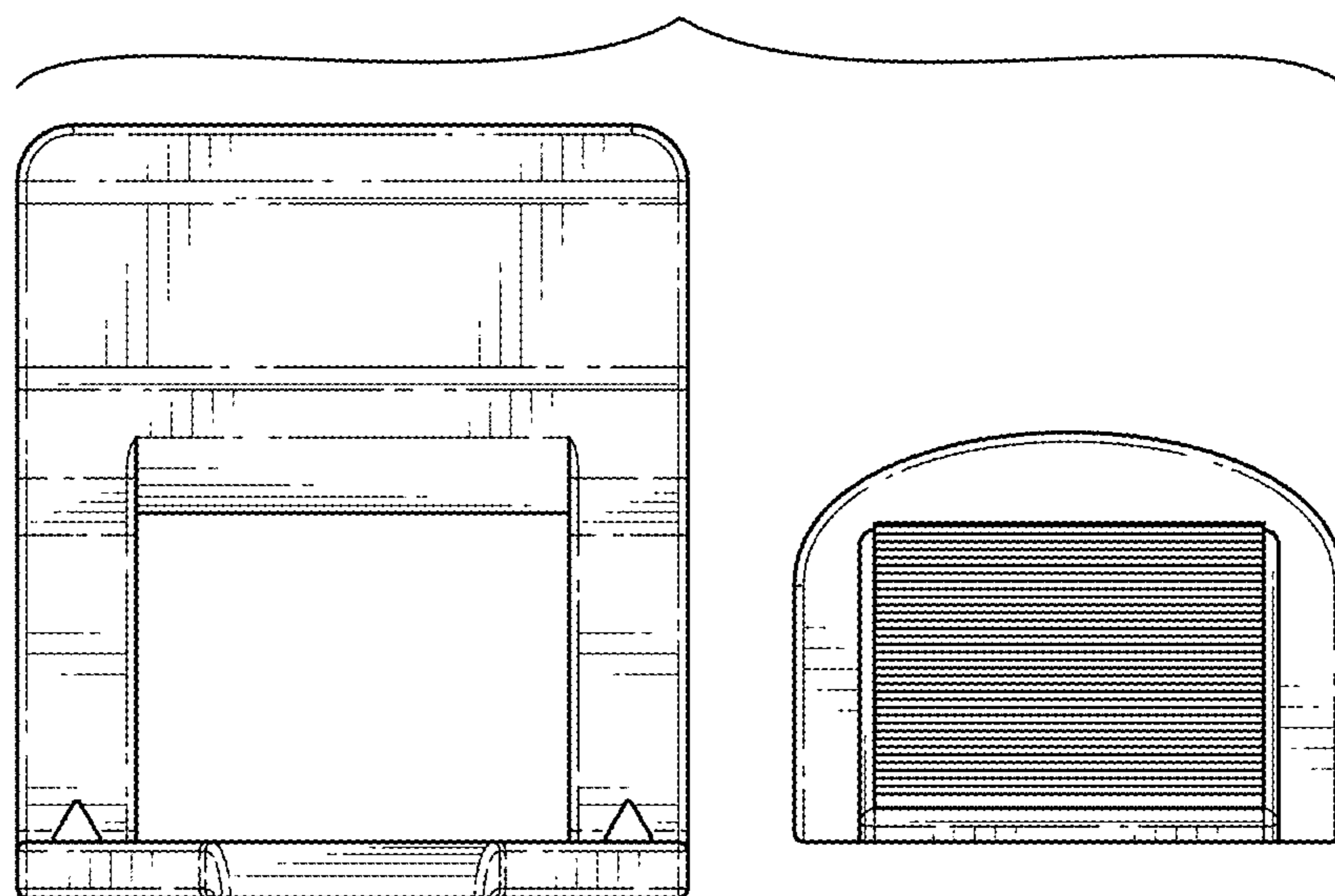


FIG. 2

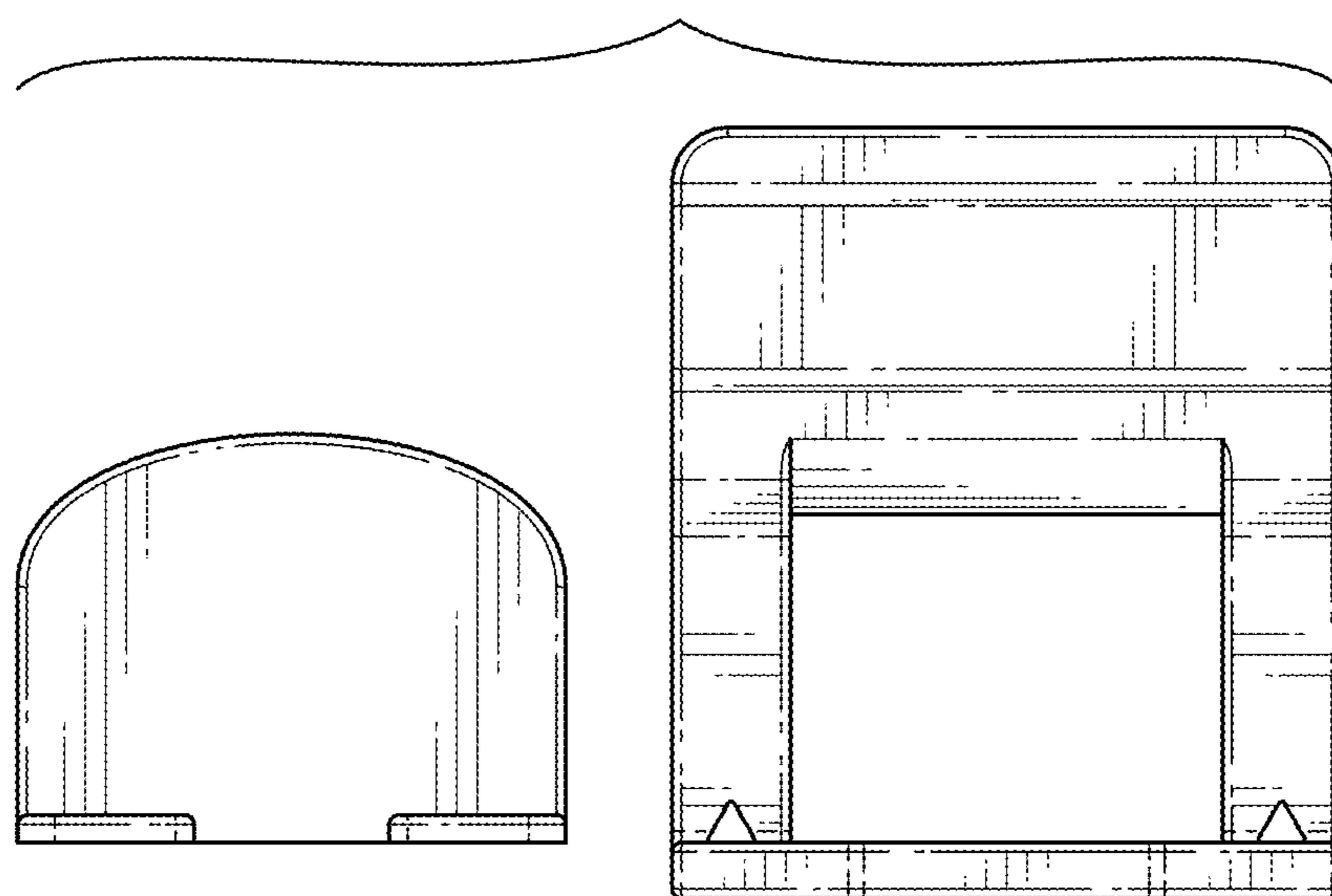


FIG. 3

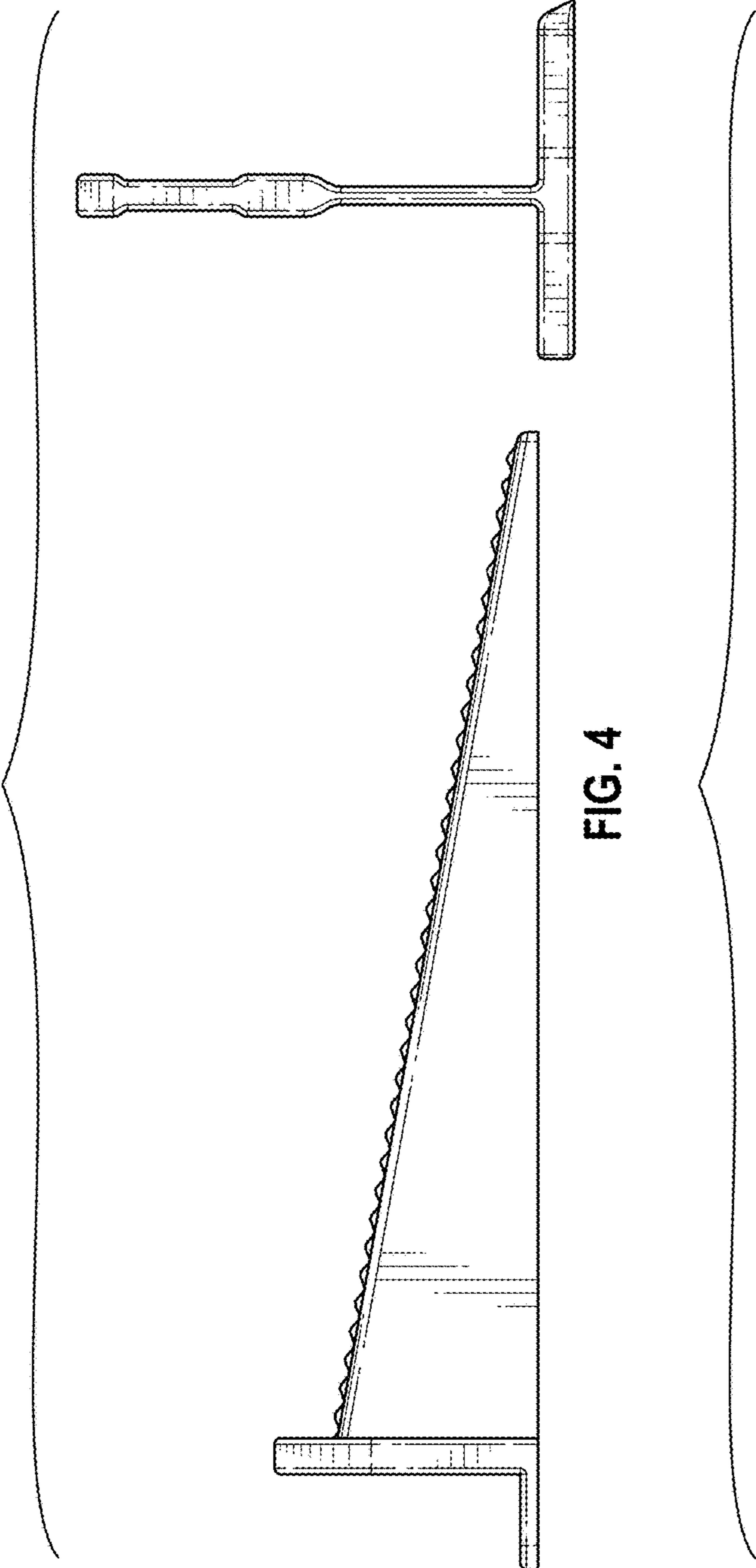


FIG. 4

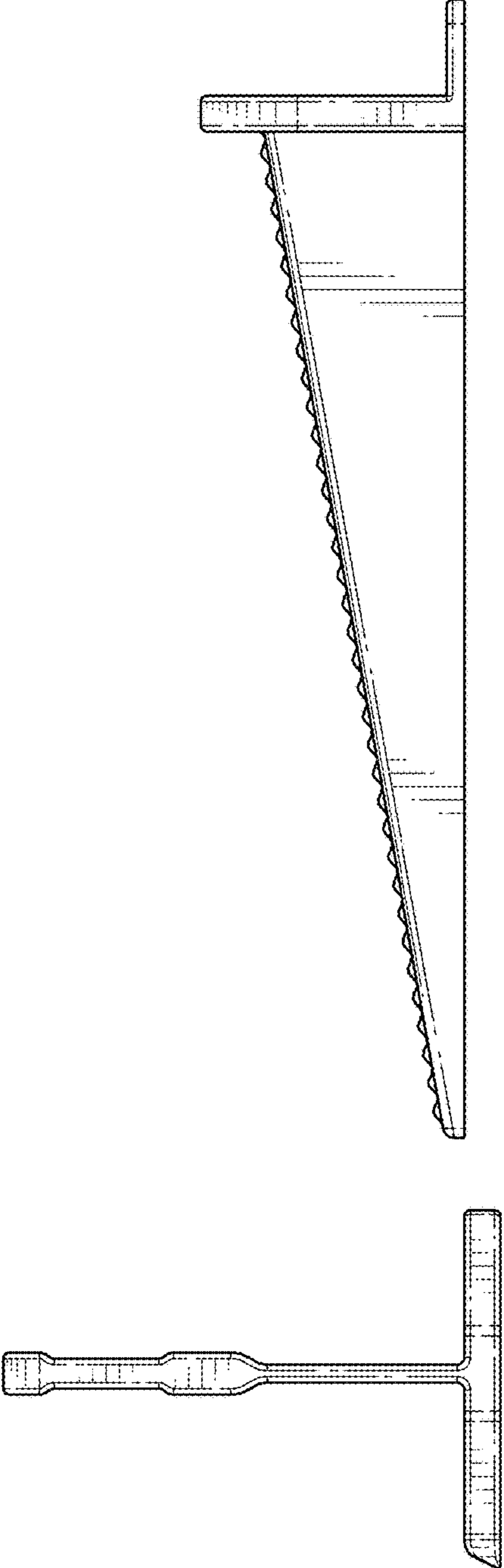


FIG. 5

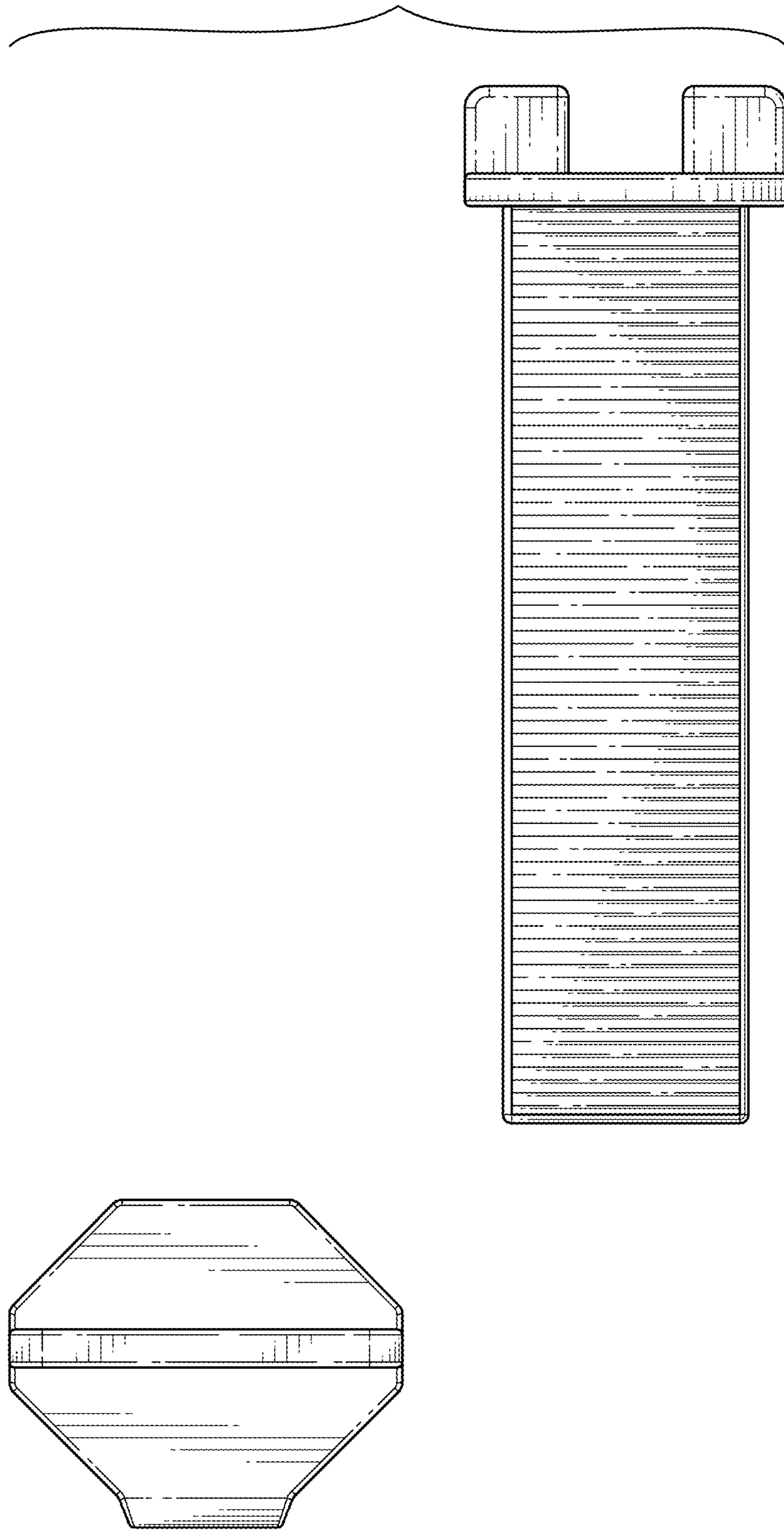


FIG. 6

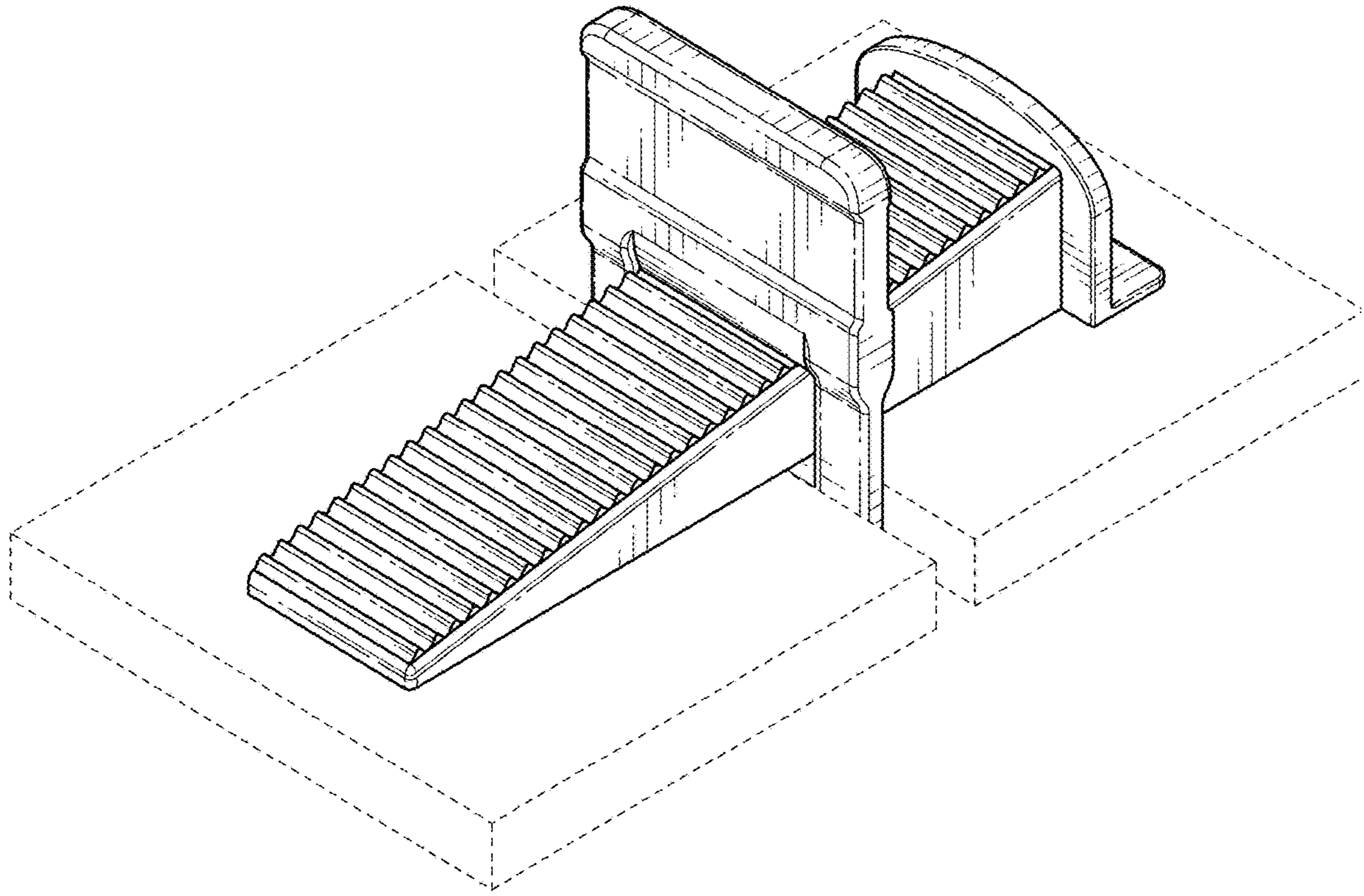


FIG. 7

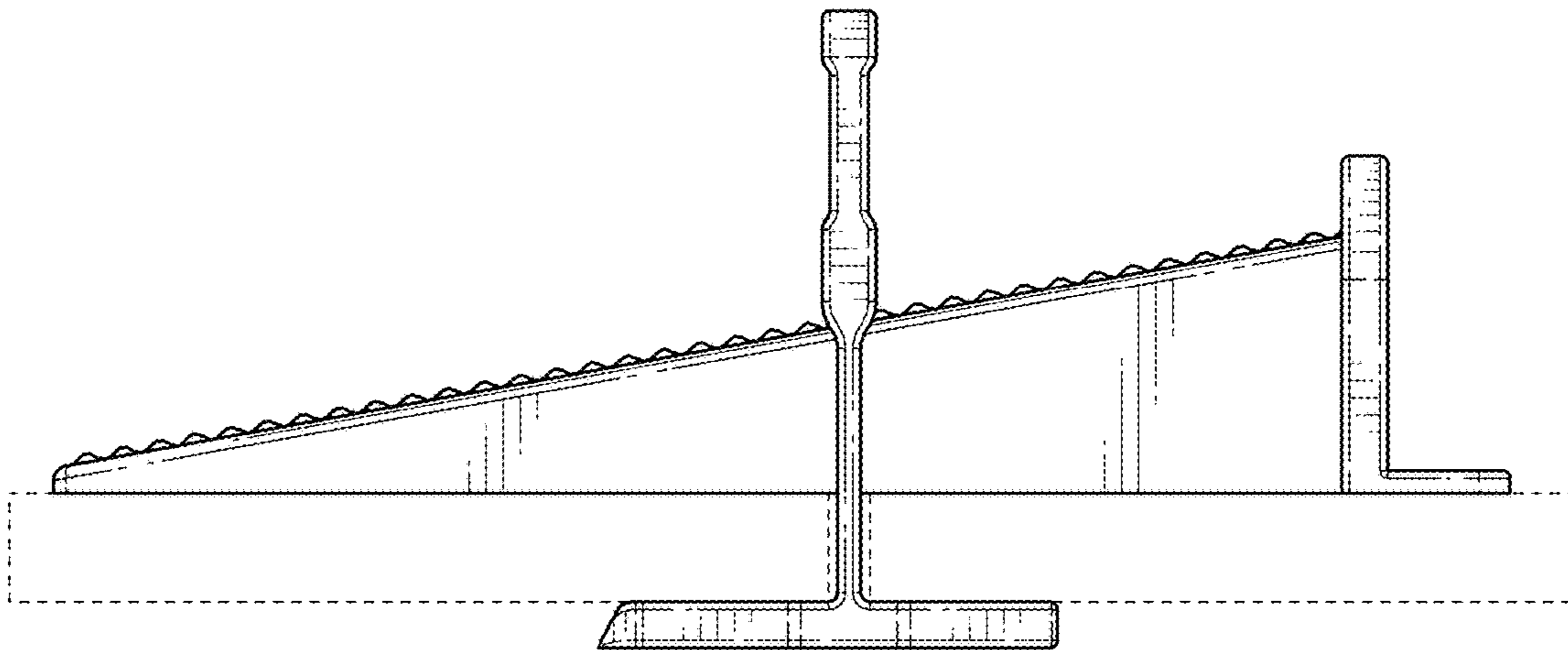


FIG. 8

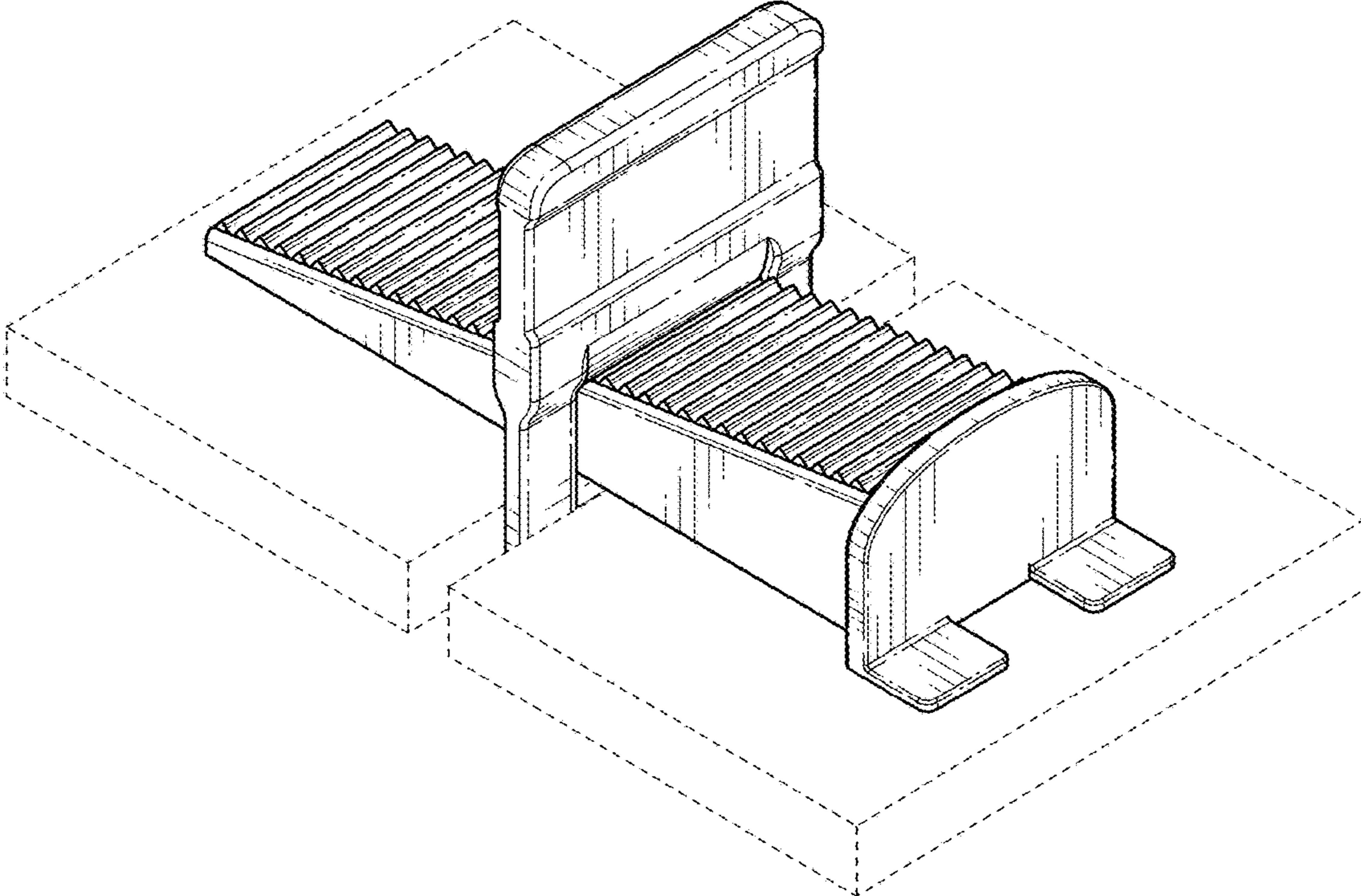


FIG. 9

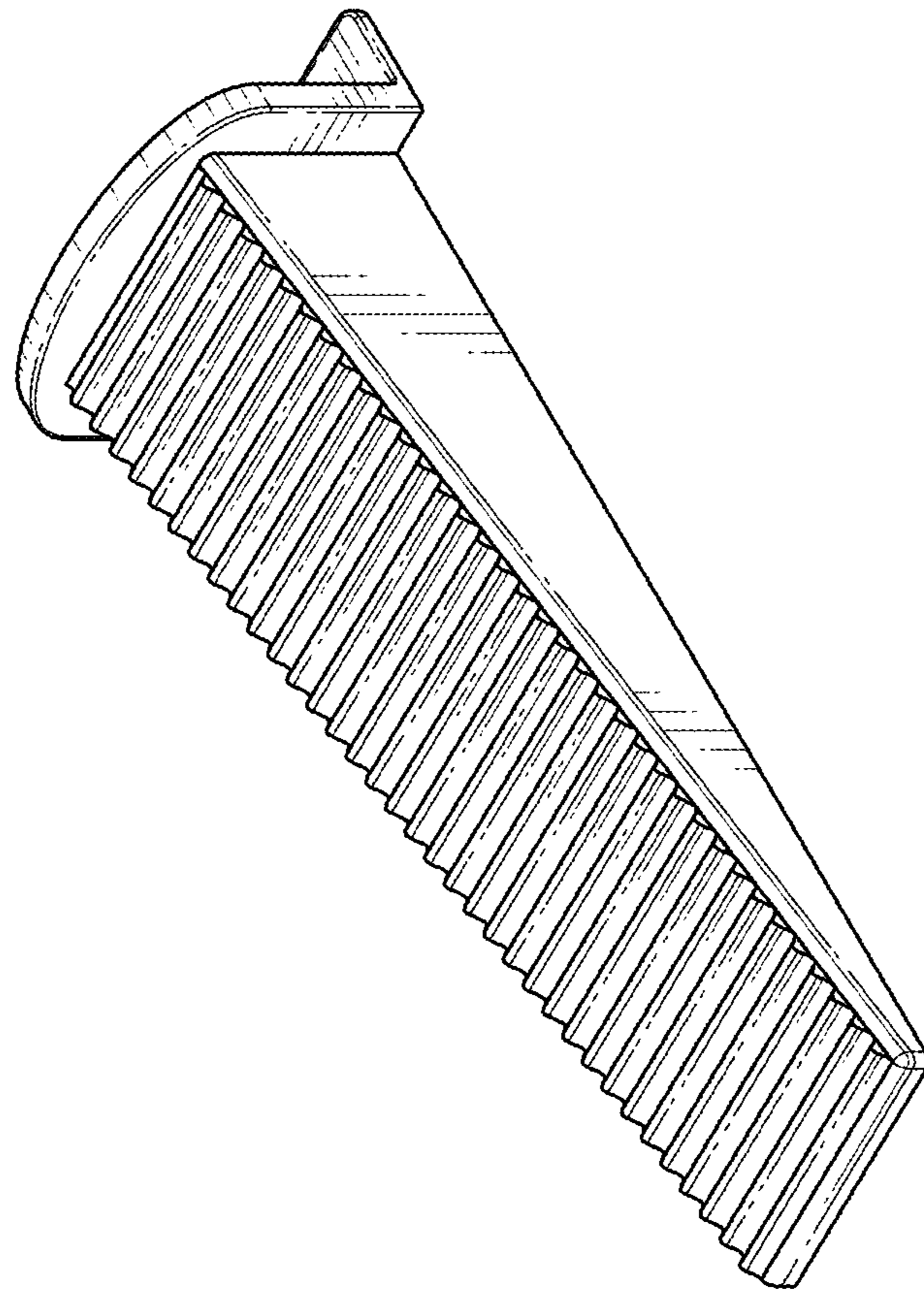
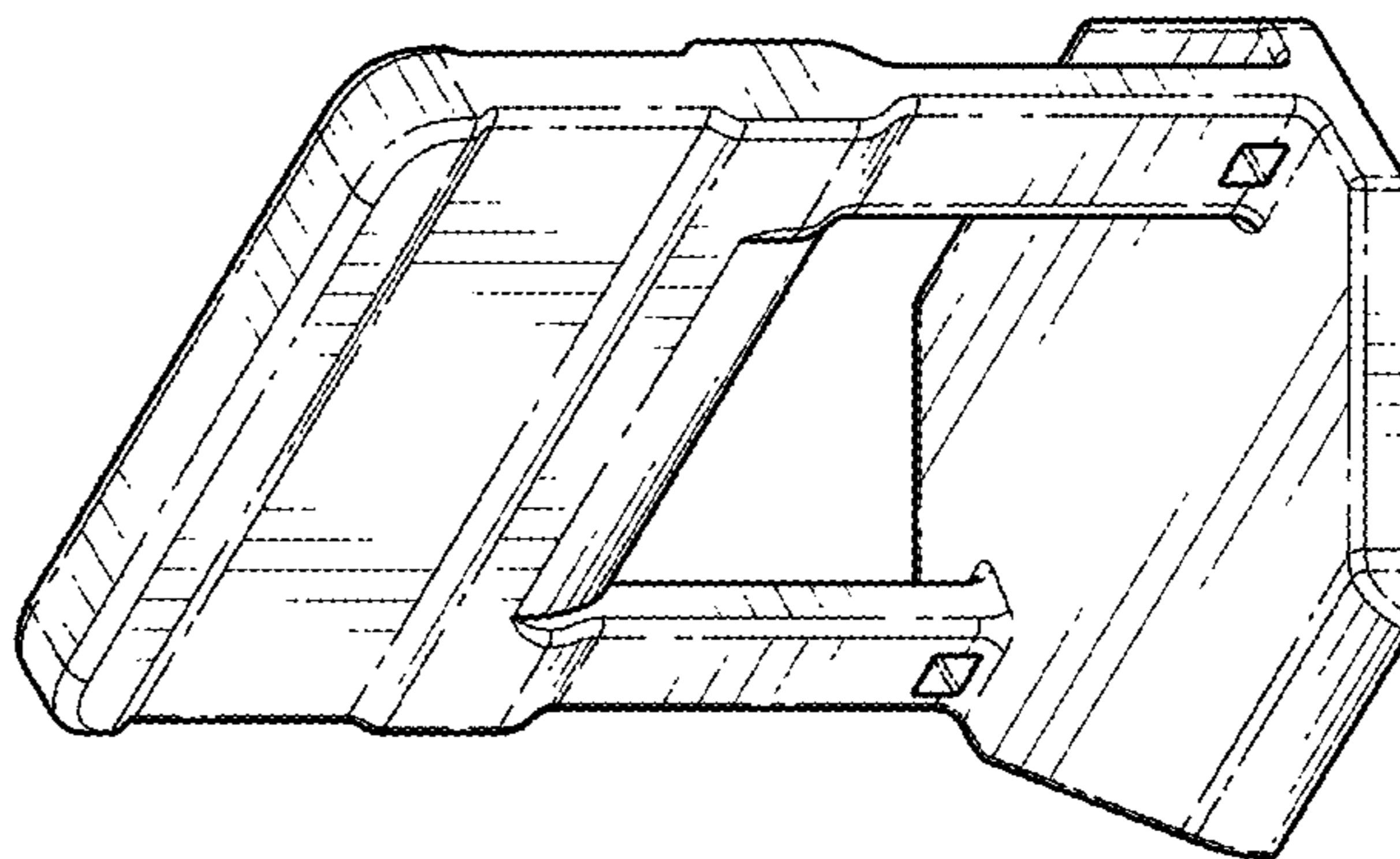


FIG. 10





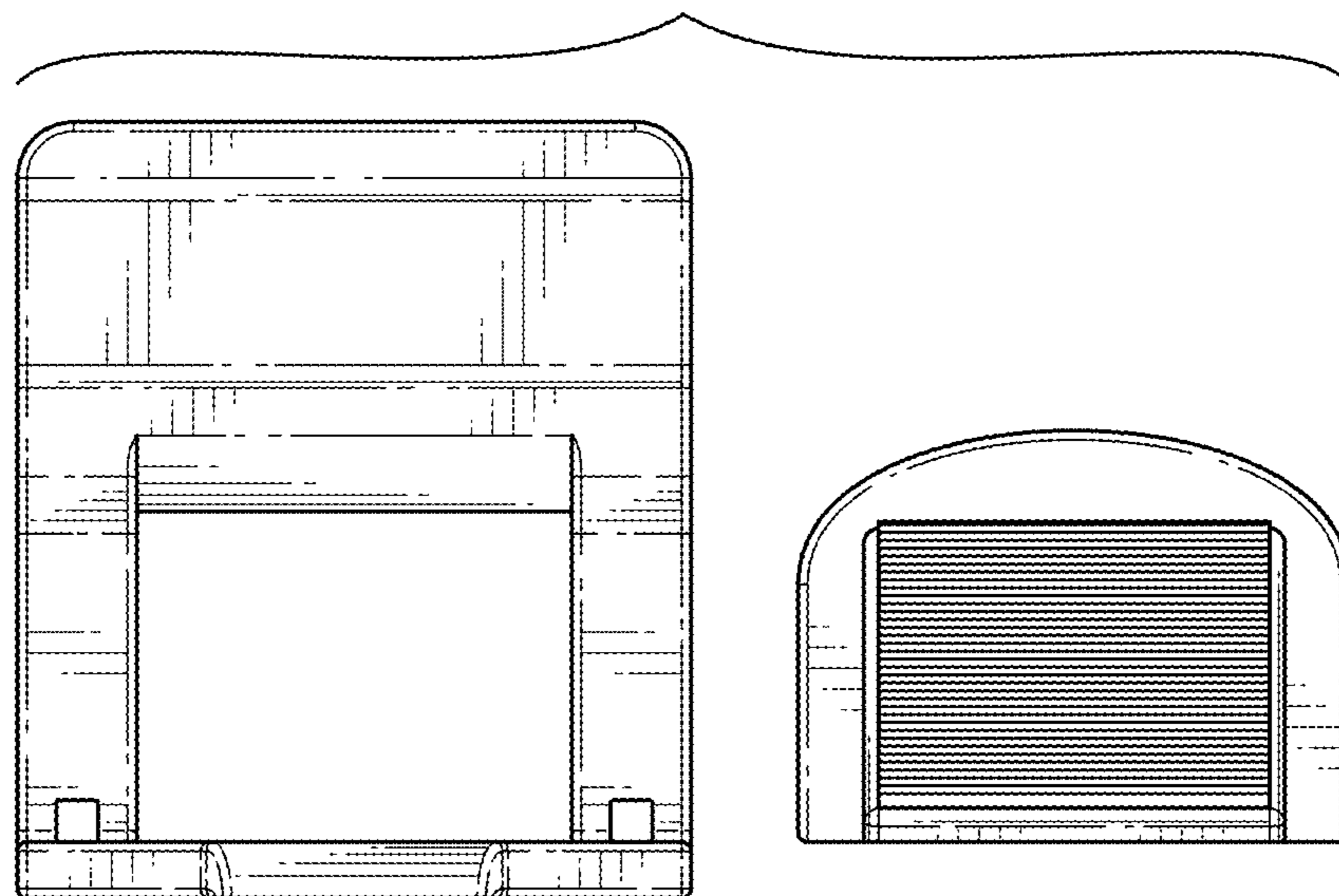


FIG. 11

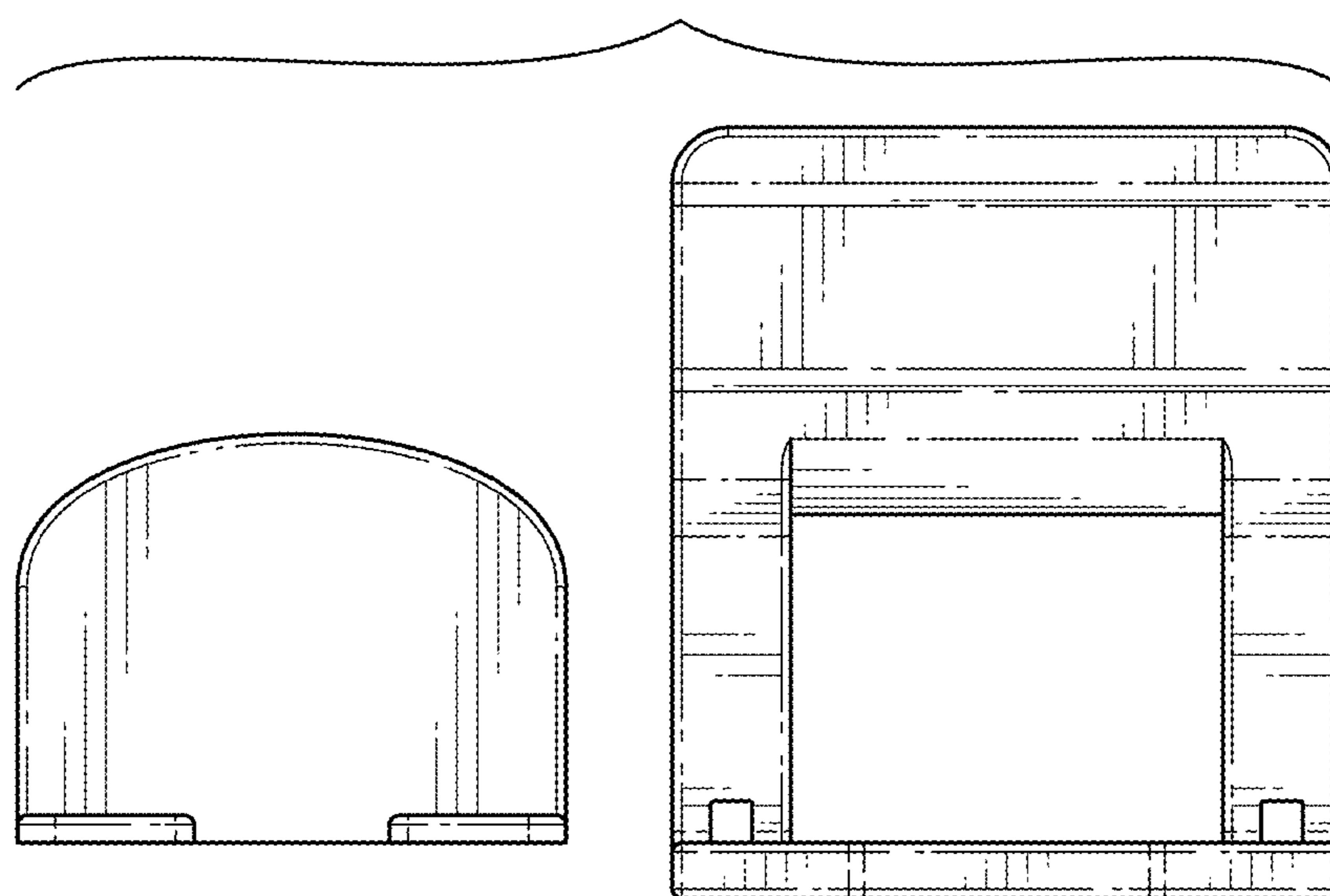


FIG. 12

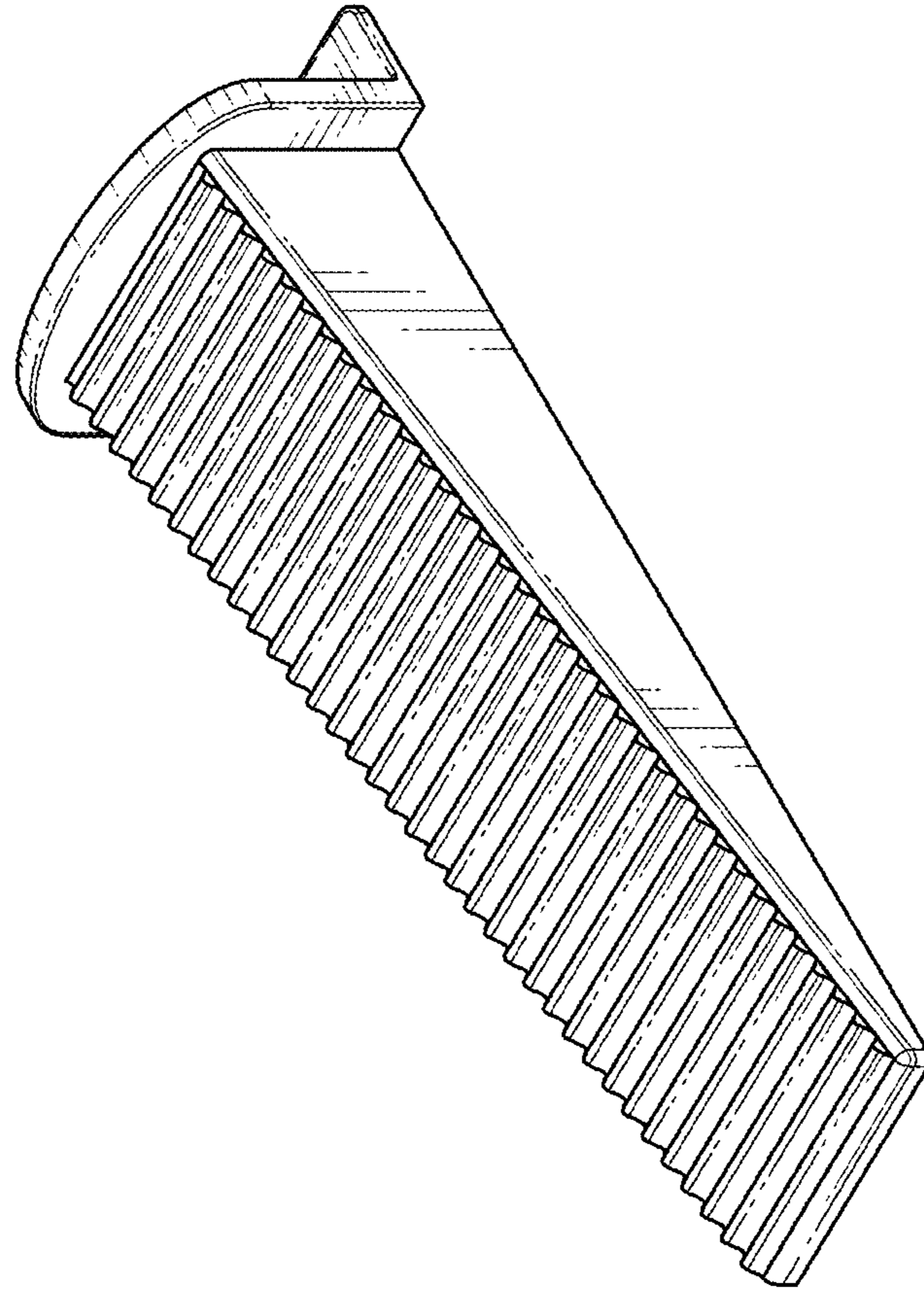
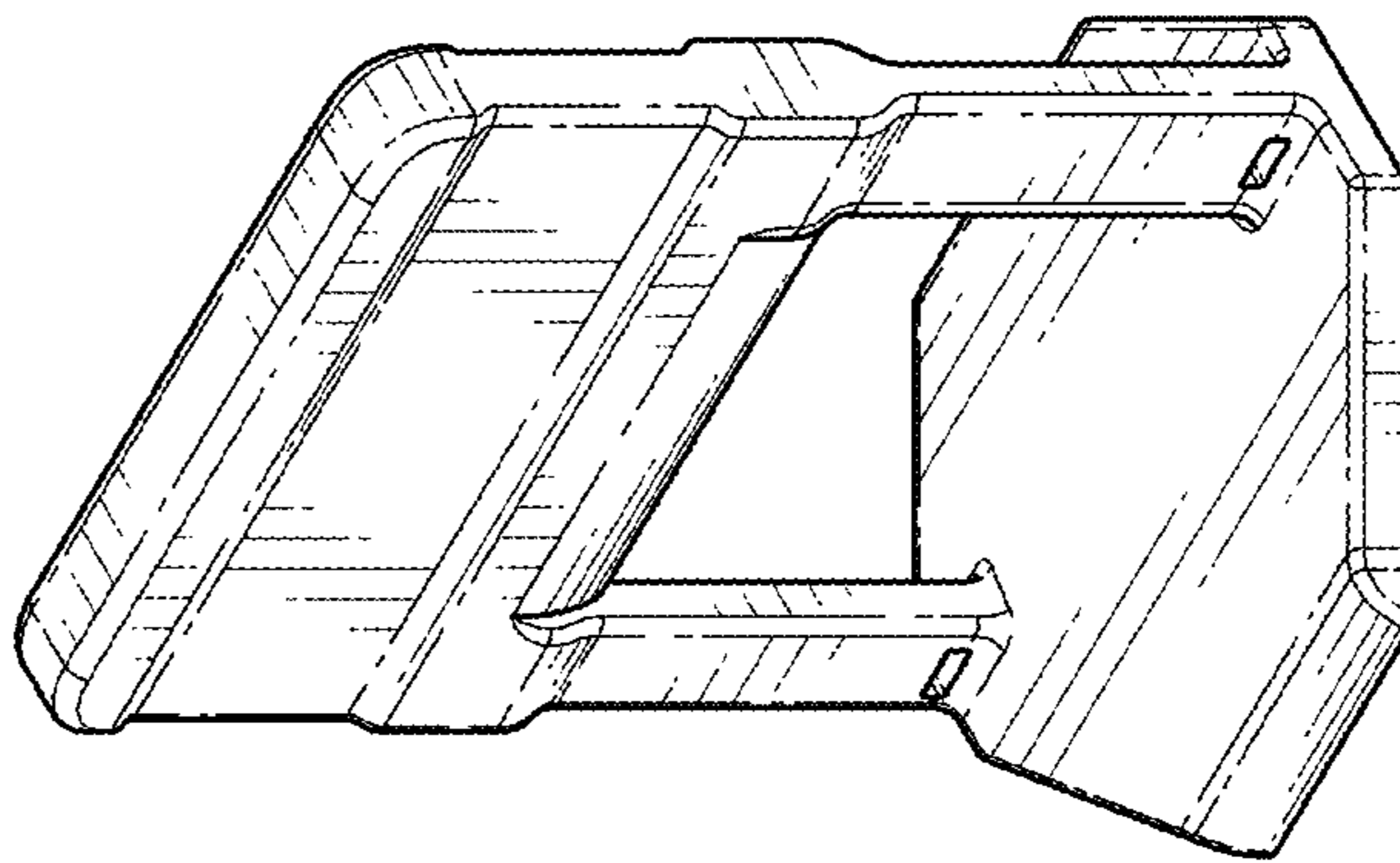


FIG. 13



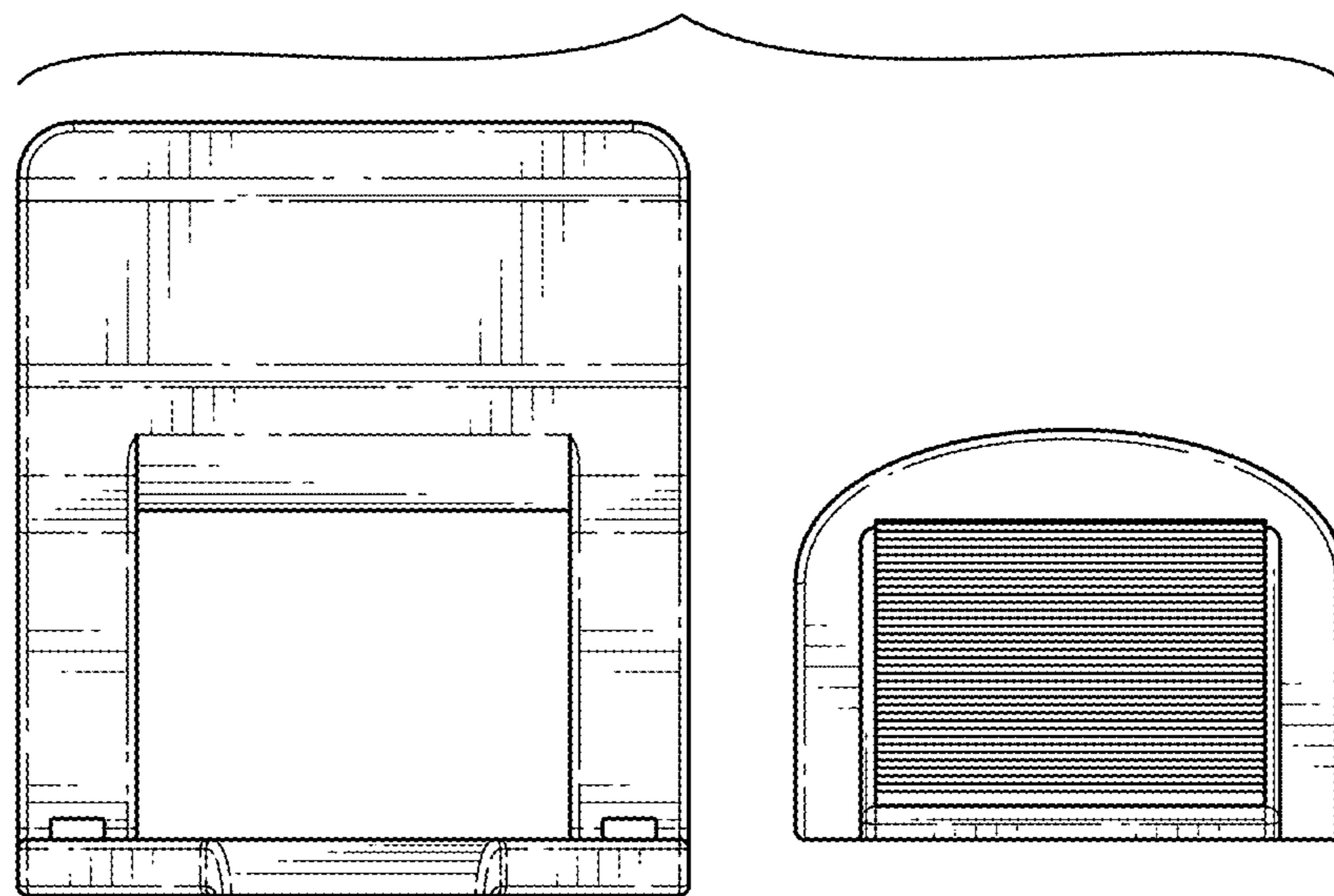


FIG. 14

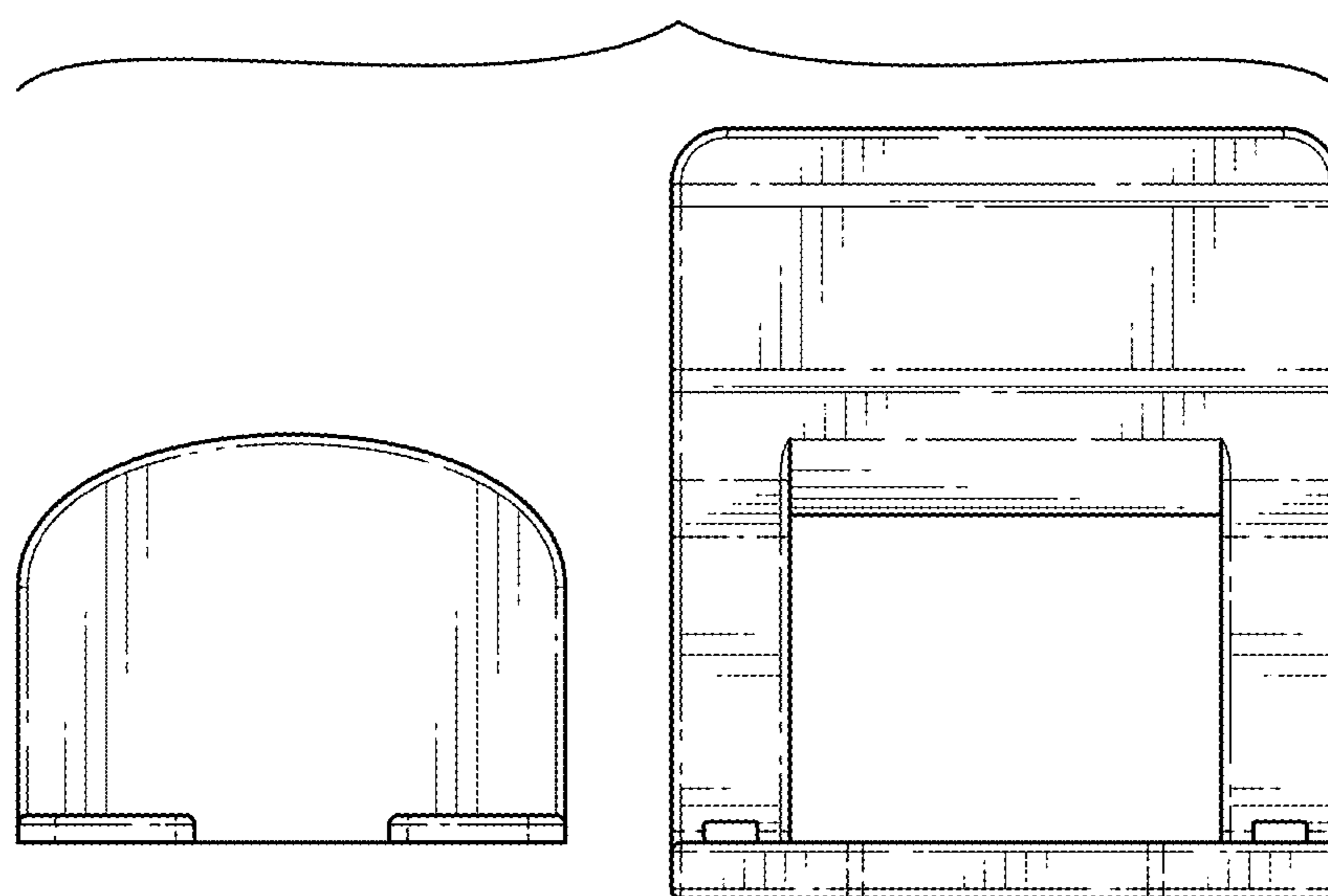


FIG. 15

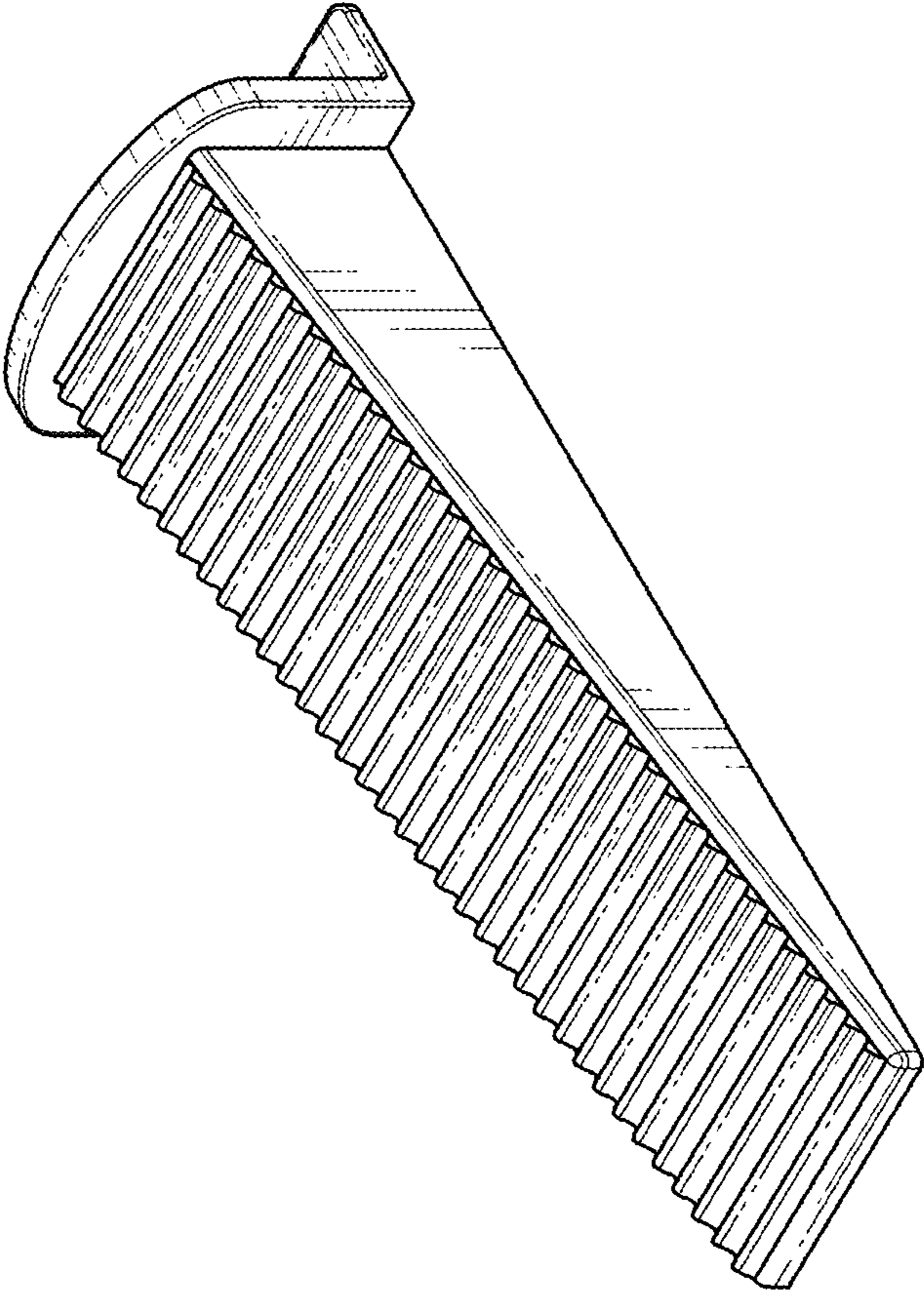
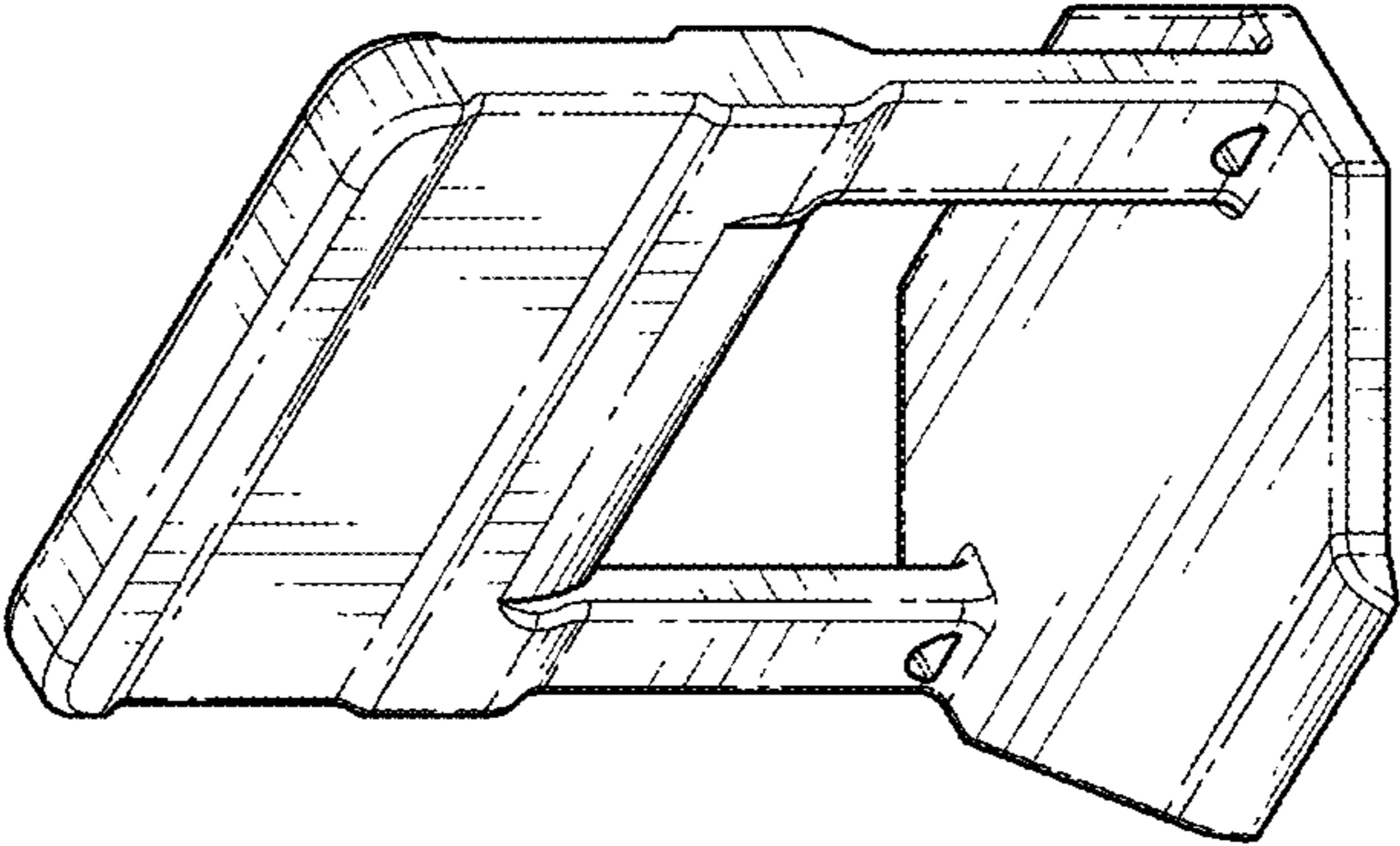


FIG. 16



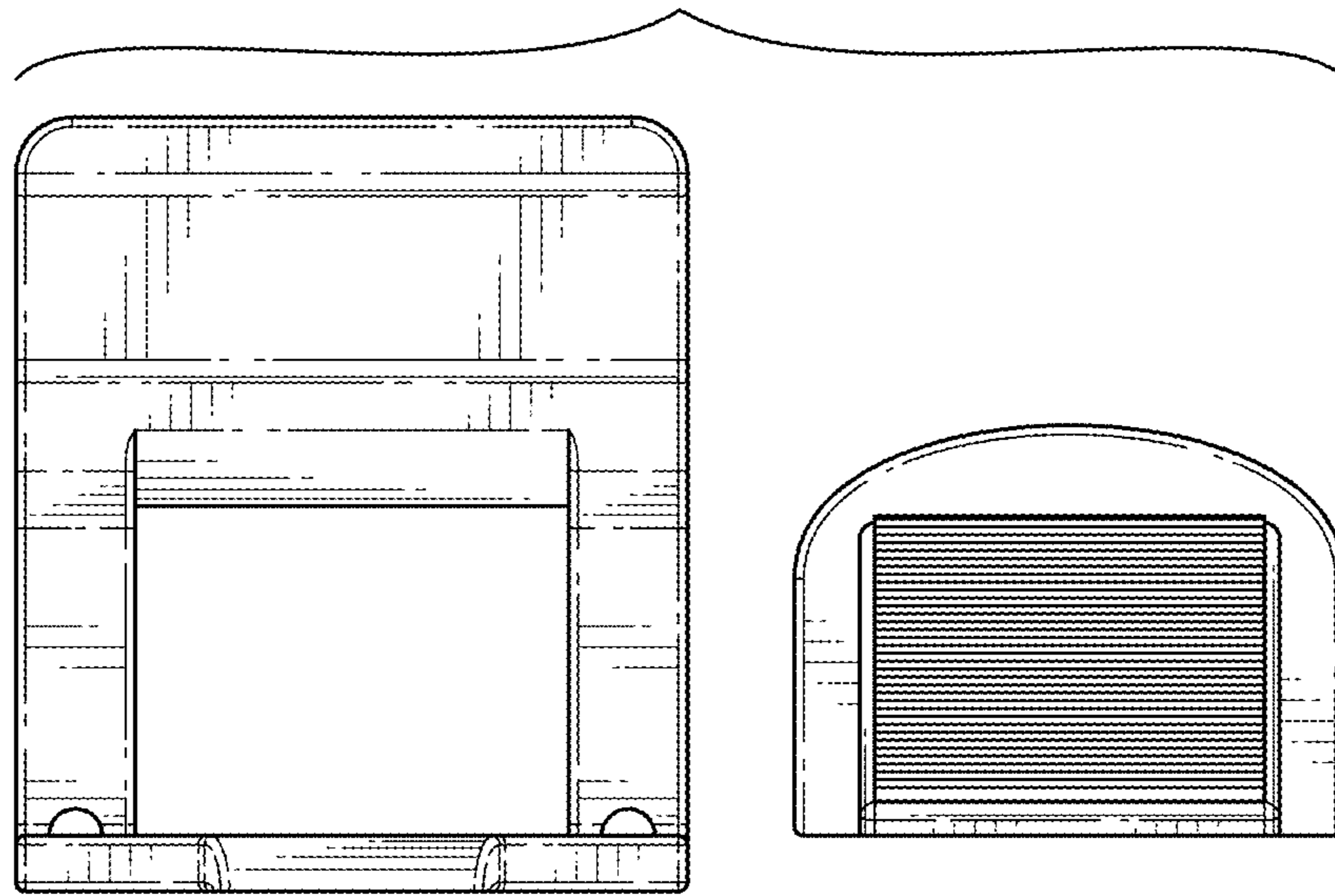


FIG. 17

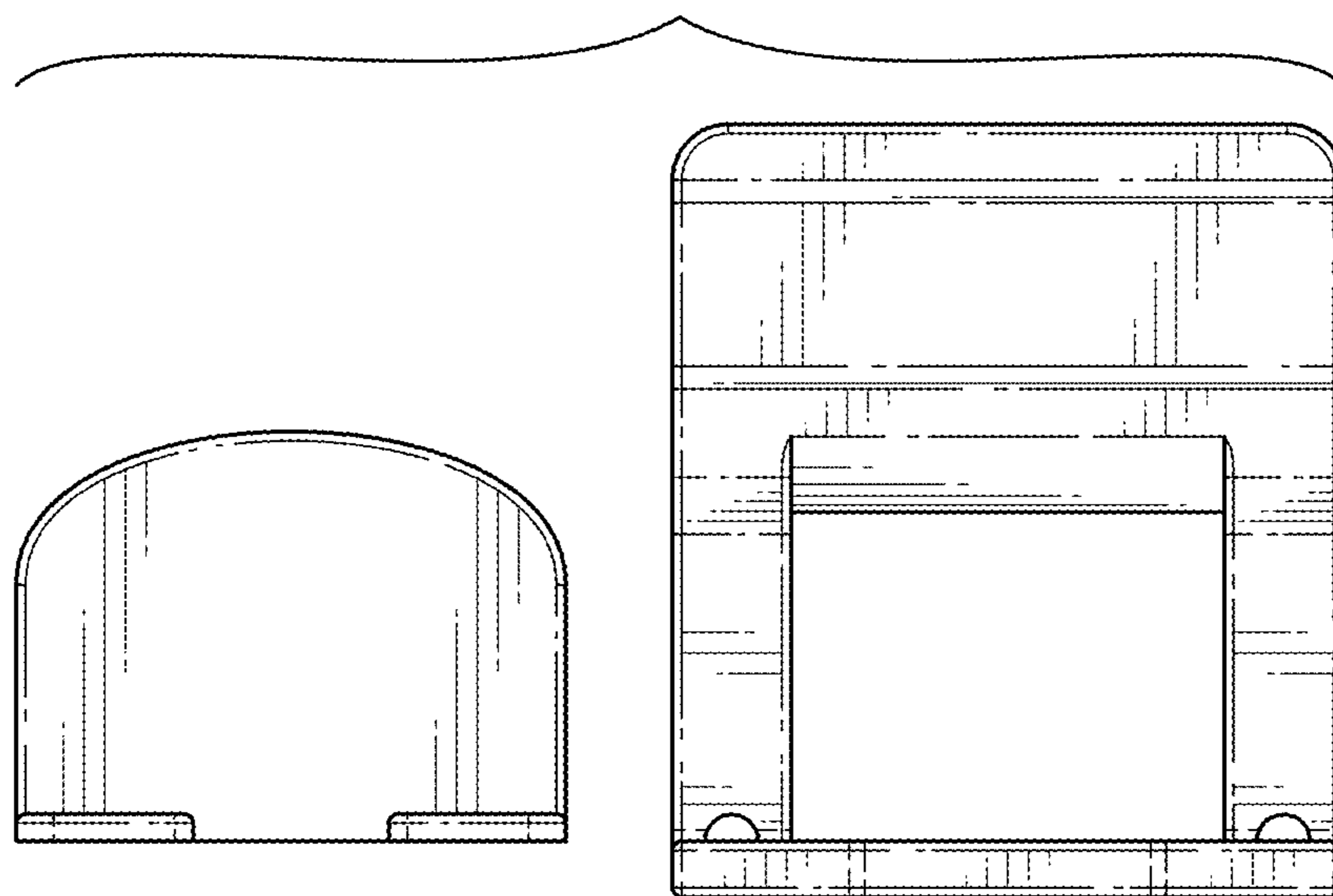


FIG. 18