



US00D821837S

(12) **United States Design Patent**  
**Romanak**

(10) **Patent No.:** **US D821,837 S**

(45) **Date of Patent:** **\*\* Jul. 3, 2018**

(54) **RATCHET**

(71) Applicant: **Cequent Consumer Products, Inc.**,  
Solon, OH (US)

(72) Inventor: **Matthew Romanak**, Garfield Heights,  
OH (US)

(73) Assignee: **HORIZON GLOBAL AMERICAS**  
**INC.**, Plymouth, MI (US)

(\*\*) Term: **15 Years**

(21) Appl. No.: **29/580,310**

(22) Filed: **Oct. 7, 2016**

(51) **LOC (11) Cl.** ..... **08-05**

(52) **U.S. Cl.**  
USPC ..... **D8/44**

(58) **Field of Classification Search**  
USPC ..... D8/44, 14, 51  
CPC ..... B25B 25/00; B21F 9/00; B60P 7/0823;  
B60P 7/083; B60P 7/0846; Y10T 24/21;  
Y10T 24/2117  
See application file for complete search history.

(56) **References Cited**

**U.S. PATENT DOCUMENTS**

D266,828 S \* 11/1982 Prete, Jr. .... D8/383  
6,908,073 B1 \* 6/2005 Hsien ..... B66D 3/04  
16/422  
D530,997 S \* 10/2006 Hsieh ..... D8/44  
7,448,596 B1 \* 11/2008 Chang ..... B25B 25/00  
24/69 ST

D661,562 S \* 6/2012 Stevens ..... D8/44  
D675,498 S \* 2/2013 Stevens ..... D8/44  
2004/0169170 A1 \* 9/2004 Hernandez, Jr. .... B66D 3/02  
254/243  
2006/0277726 A1 \* 12/2006 Hsieh ..... B25B 25/00  
24/68 R  
2009/0279978 A1 \* 11/2009 Polin, Jr. .... B65D 63/16  
410/100  
2009/0283729 A1 \* 11/2009 Carlson ..... B25B 25/00  
254/218

\* cited by examiner

*Primary Examiner* — Phillip S Hyder

(74) *Attorney, Agent, or Firm* — McDonald Hopkins LLC

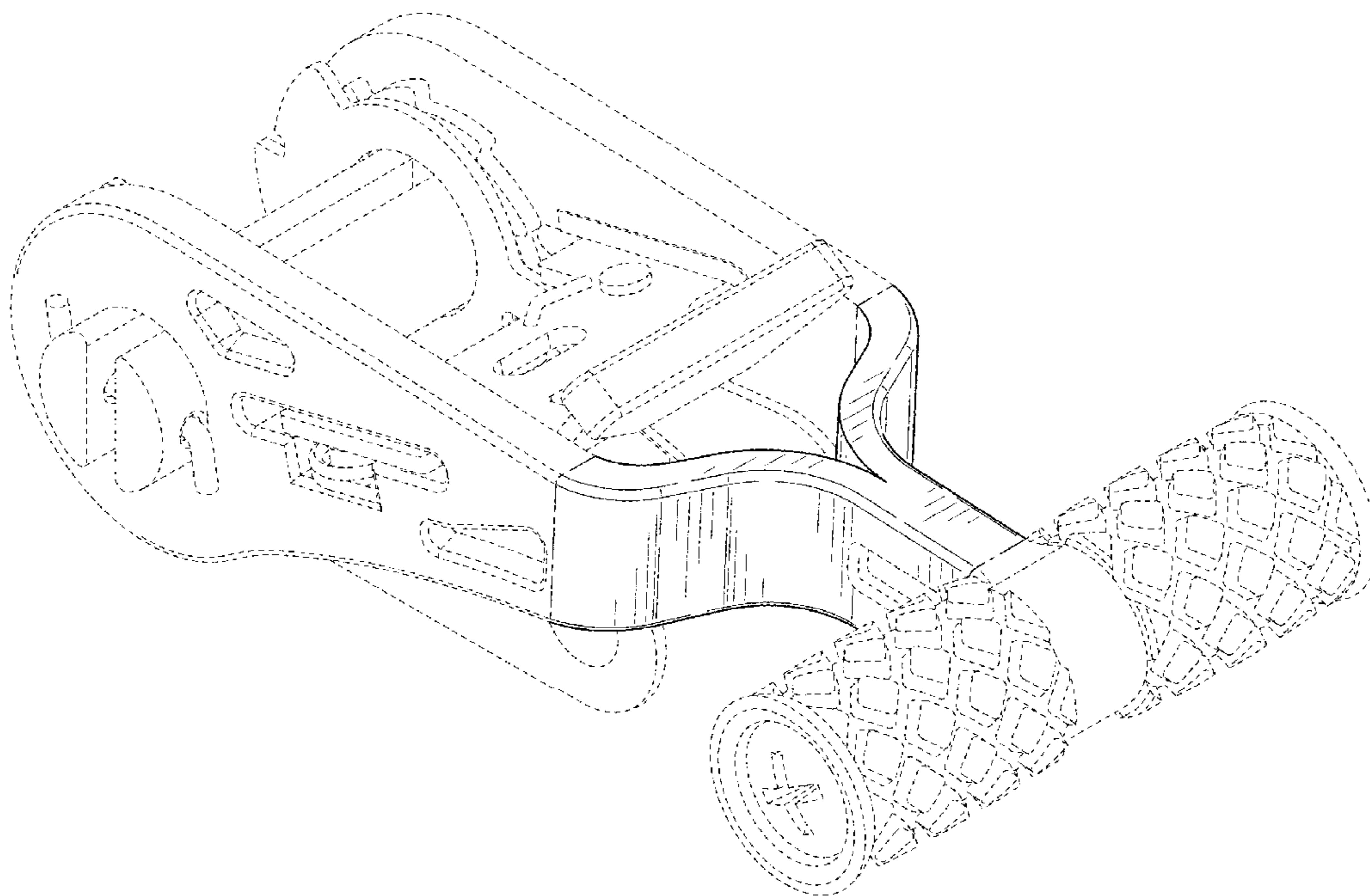
(57) **CLAIM**

The ornamental design for a ratchet, as shown and described.

**DESCRIPTION**

FIG. 1 is a perspective view of a ratchet showing my new design;  
FIG. 2 is a front side view of FIG. 1 thereof;  
FIG. 3 is a back side view of FIG. 1 thereof;  
FIG. 4 is a first side view of FIG. 1 thereof;  
FIG. 5 is a second side view of FIG. 1 thereof;  
FIG. 6 is a top view of FIG. 1 thereof; and,  
FIG. 7 is a bottom view of FIG. 1 thereof.  
The broken lines in the figures are included for the purpose of illustrating portions of a ratchet and form no part of the claimed design.

**1 Claim, 6 Drawing Sheets**



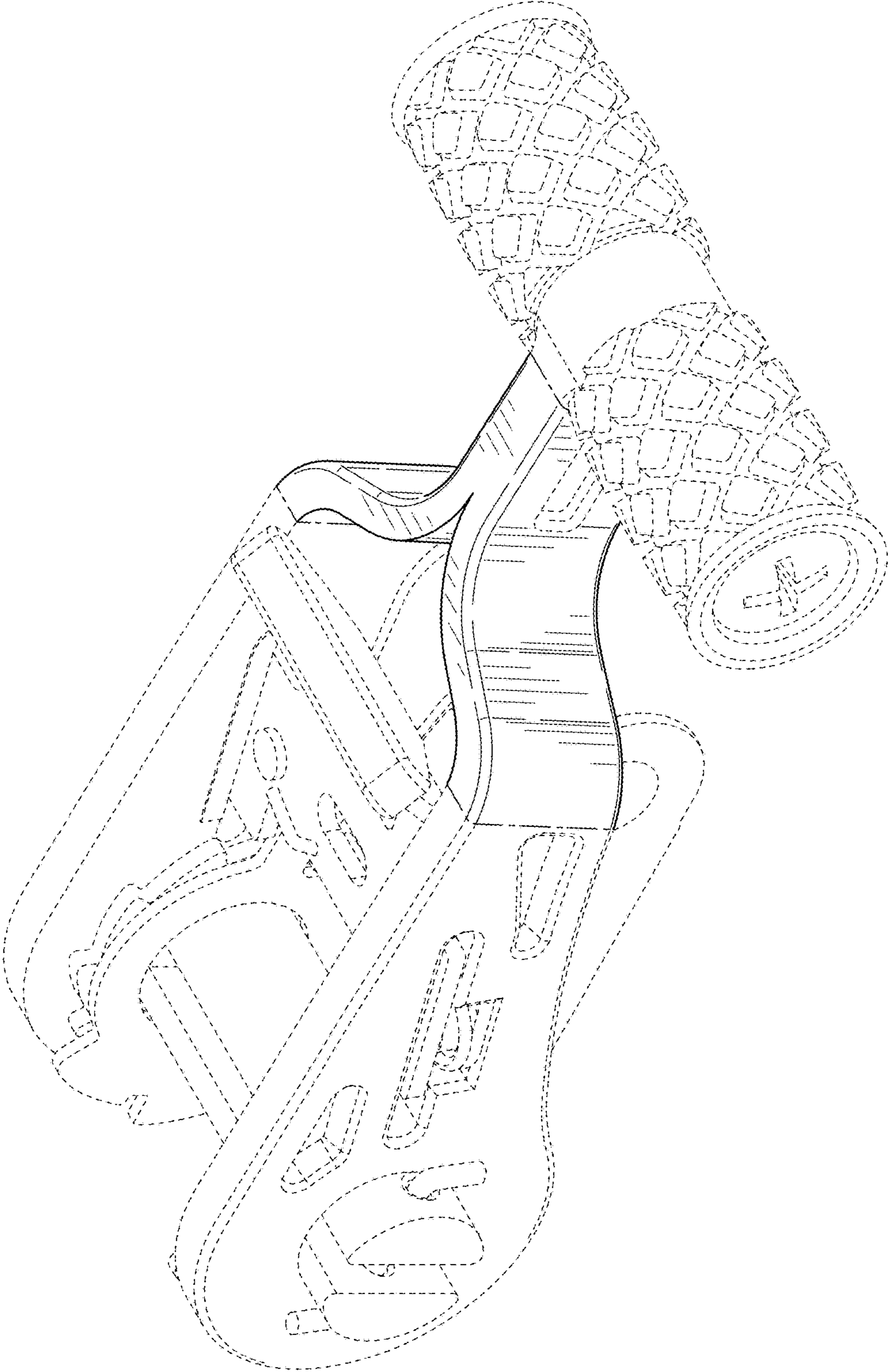


FIG. 1

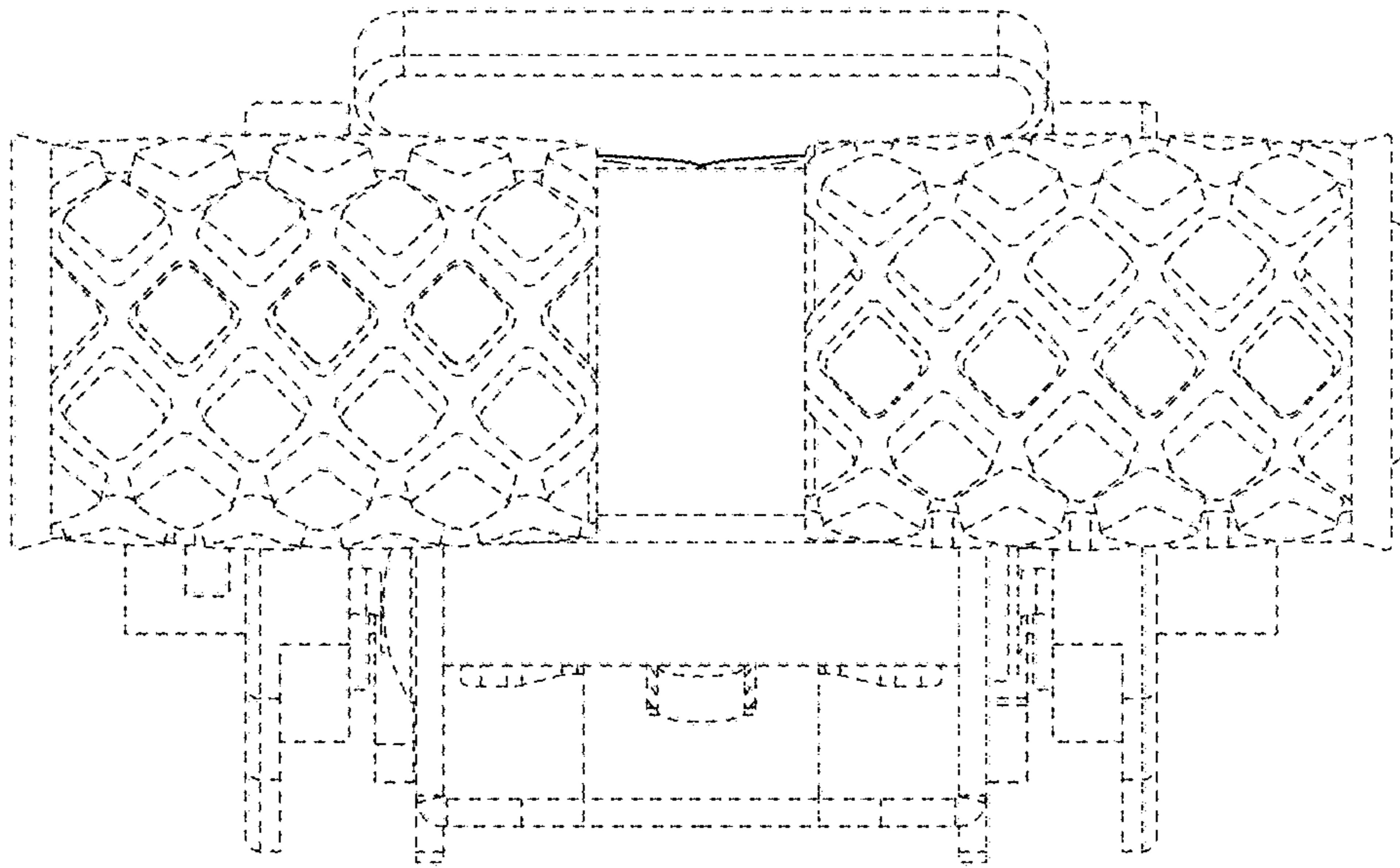


FIG. 2

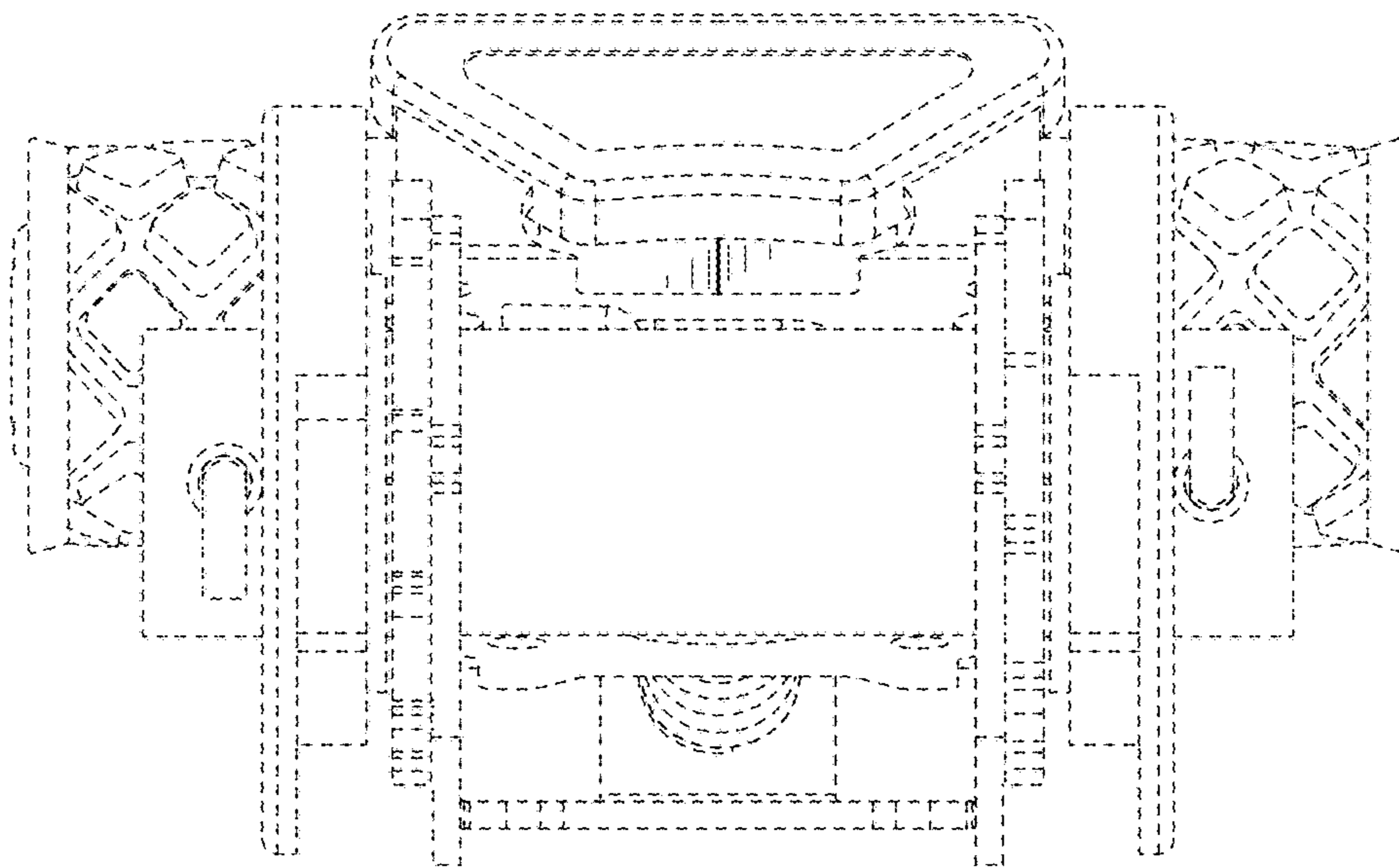


FIG. 3

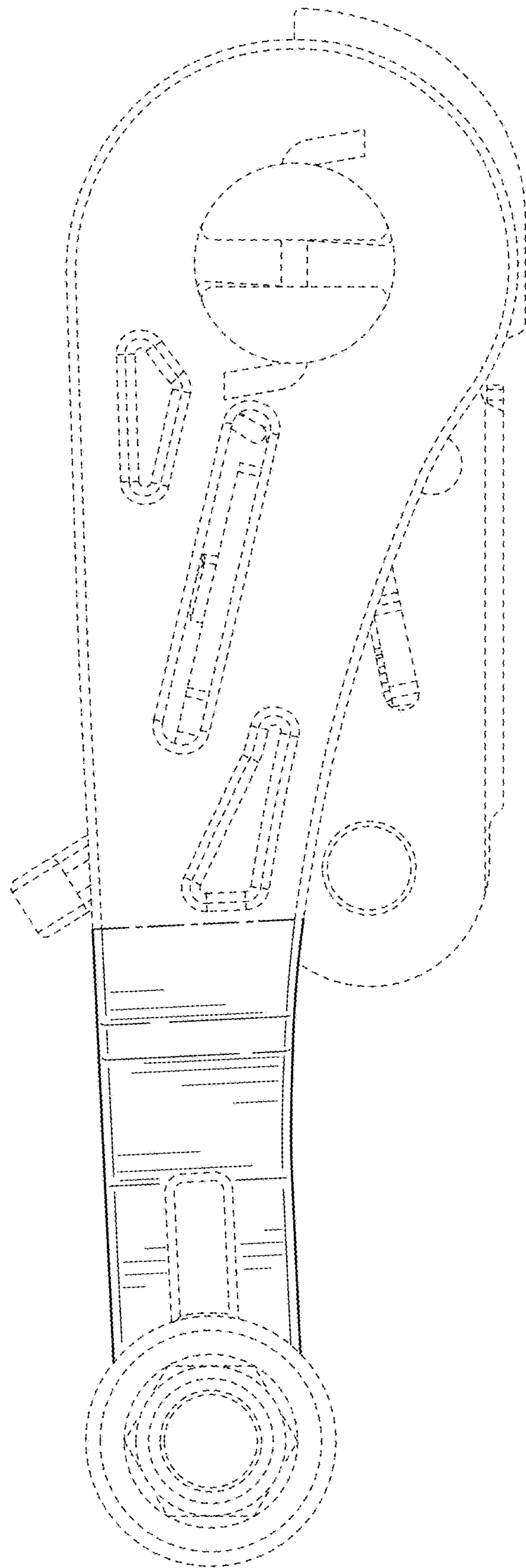


FIG. 4

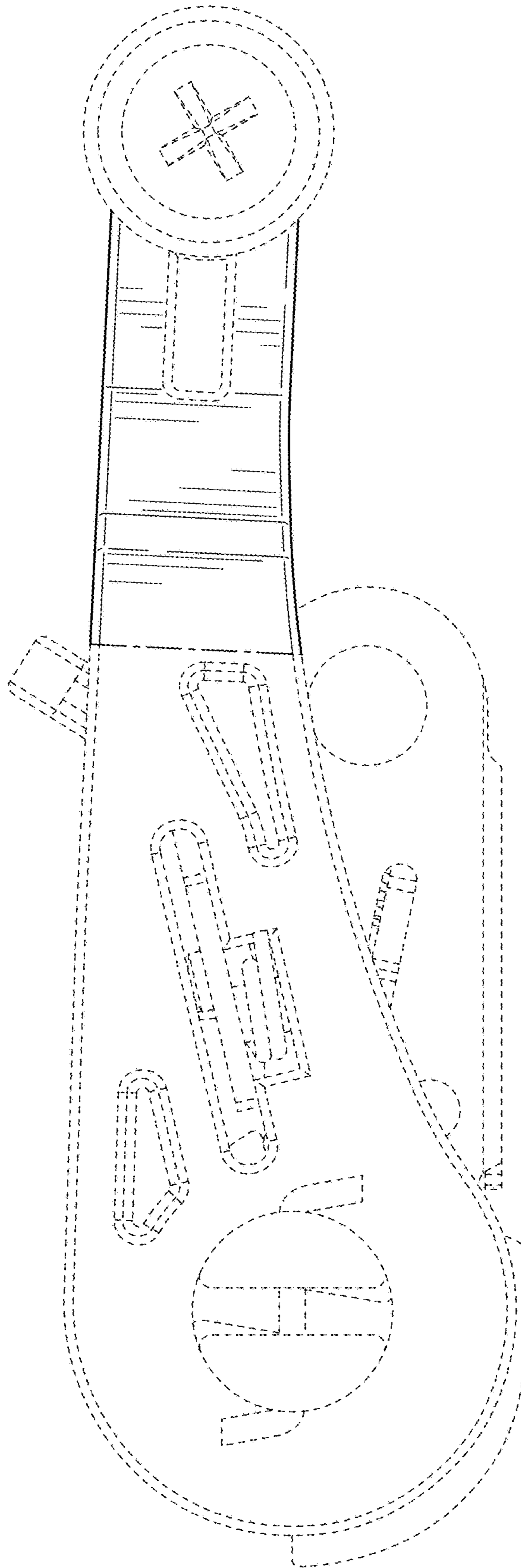


FIG. 5

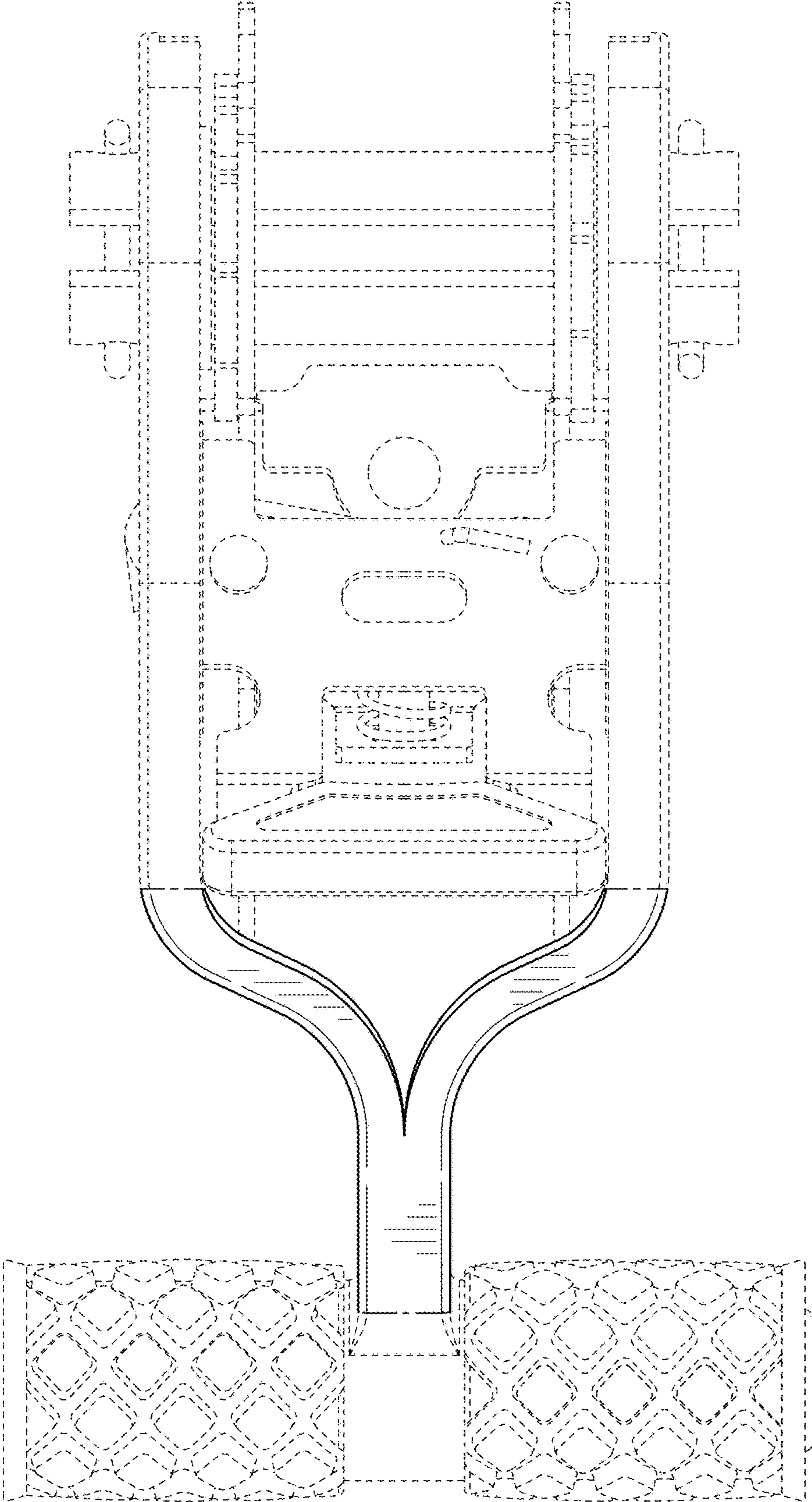


FIG. 6

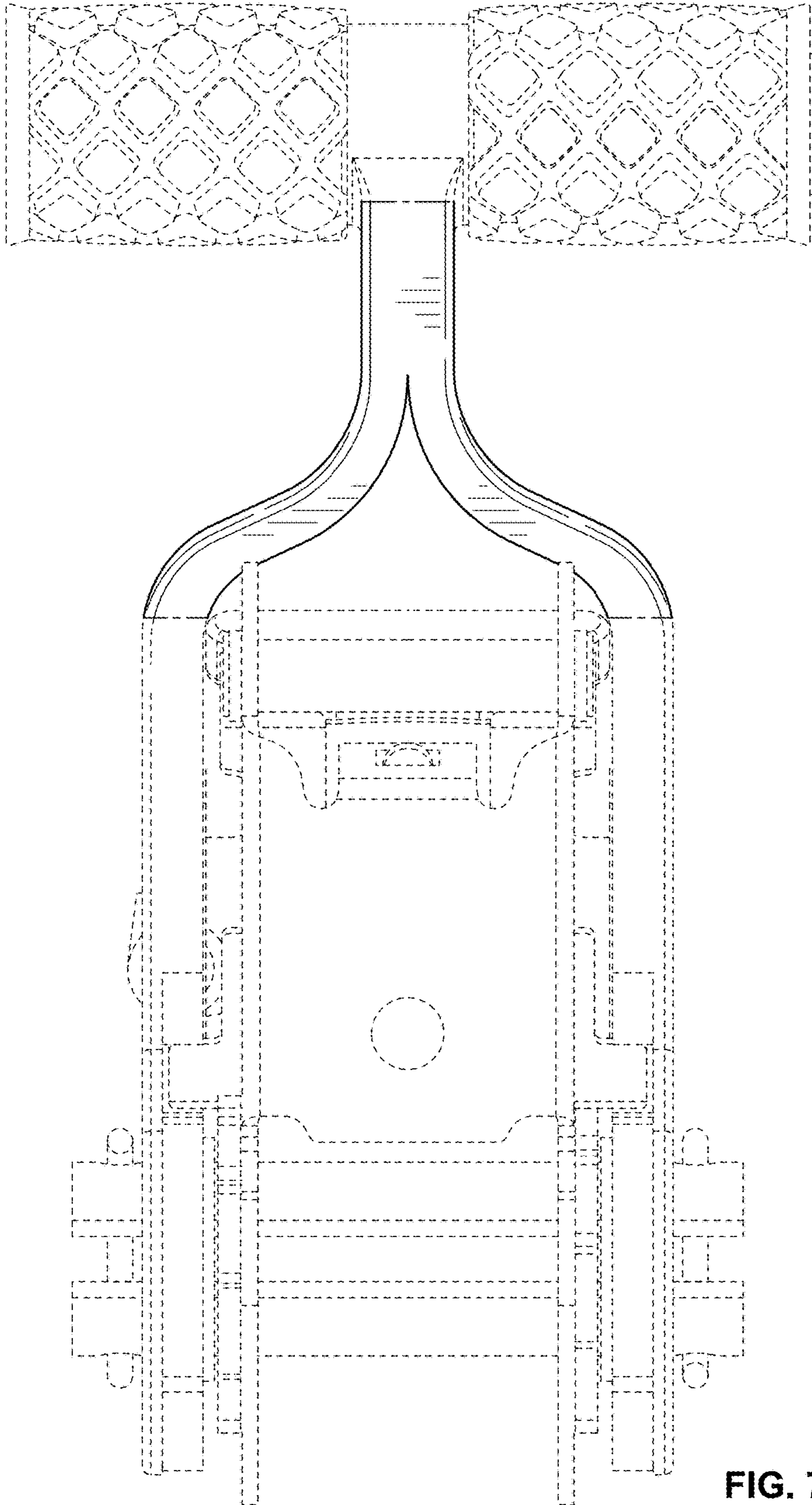


FIG. 7