



US00D821836S

(12) **United States Design Patent** (10) **Patent No.:** **US D821,836 S**
Olaneta Aramberri (45) **Date of Patent:** **** Jul. 3, 2018**

(54) **CORKSCREW**

CPC B67B 1/00; B67B 3/00; B67B 7/00; B67B
 7/04; B67B 7/14; B67B 7/16; B67B 7/24;
 B67B 7/30; B67B 7/32; B67B 7/34;
 B67B 7/36; B67B 7/38; B67B 7/0417;
 B67B 7/0429; B67B 7/0441; B25F 1/00
 See application file for complete search history.

(71) Applicant: **BOJ OLANETA, S.L.**, Eibar
(Guipuzcoa) (ES)

(72) Inventor: **Santiago Olaneta Aramberri**, Eibar
(ES)

(73) Assignee: **BOJ OLANETA, S.L.**, Eibar
(Guipuzcoa) (ES)

(**) Term: **15 Years**

(21) Appl. No.: **29/573,587**

(22) Filed: **Aug. 8, 2016**

(30) **Foreign Application Priority Data**

Feb. 10, 2016 (EM) 002981100

(51) **LOC (11) Cl.** **07-06**

(52) **U.S. Cl.**
USPC **D8/42**

(58) **Field of Classification Search**
USPC ... D8/18, 26, 33, 34, 38, 40, 42, 43, 52, 56,
D8/82, 300, 301; D26/37, 38, 42, 46, 47,
D26/49; 7/118, 151–156, 169;
81/3.07–3.49, 3.55, 52, 119–125.1,
81/177.1–177.6, 436, 437, 460;
30/400–443, 450

(56) **References Cited**

U.S. PATENT DOCUMENTS

D336,837 S * 6/1993 Reed D8/37
 2008/0210057 A1 * 9/2008 Fabbro B67B 7/0405
 81/3.29

* cited by examiner

Primary Examiner — Wan Laymon

Assistant Examiner — Clint A Samuel

(74) *Attorney, Agent, or Firm* — Lucas & Mercanti, LLP

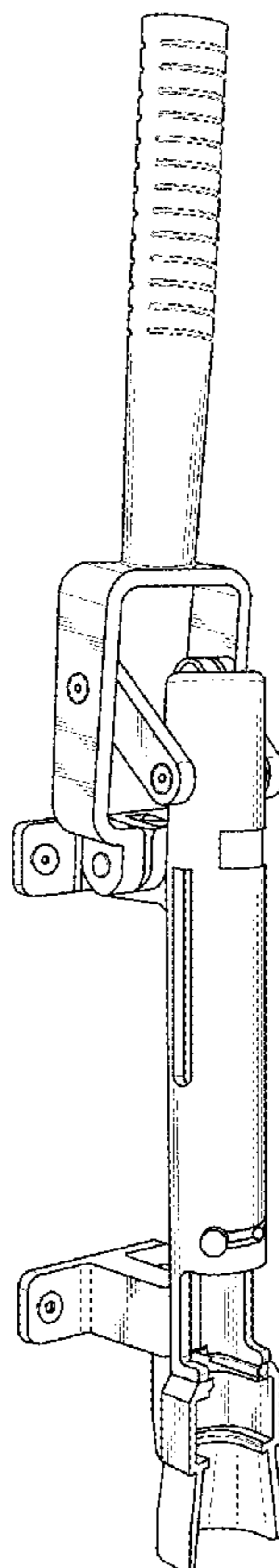
(57) **CLAIM**

The ornamental design for a corkscrew, as shown and described.

DESCRIPTION

FIG. 1 is a front perspective view of a corkscrew; and, FIG. 2 is a front view thereof.

1 Claim, 2 Drawing Sheets



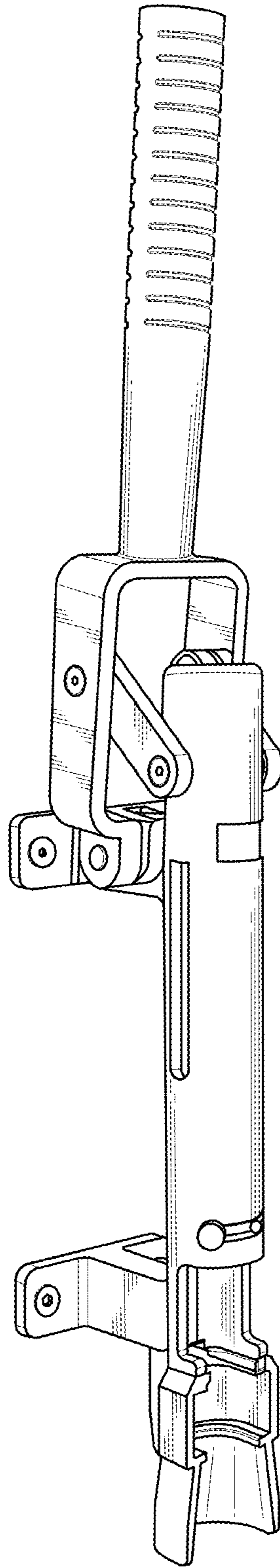


FIG. 1

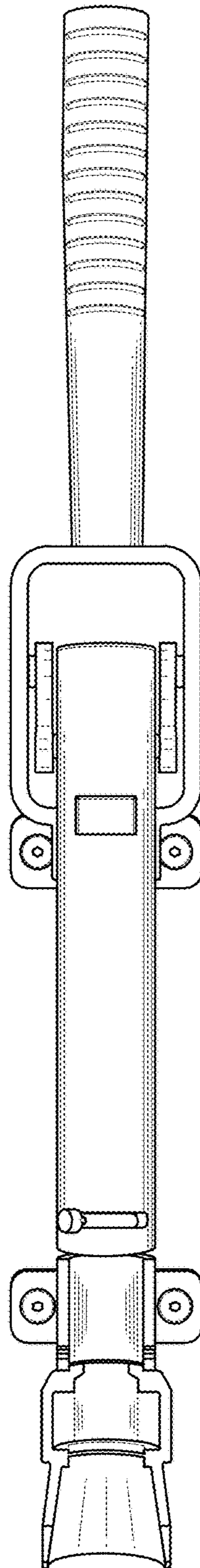


FIG. 2