



US00D821835S

(12) **United States Design Patent**  
**Arndt**

(10) **Patent No.:** **US D821,835 S**  
(45) **Date of Patent:** **\*\* Jul. 3, 2018**

(54) **SOCKET**

FOREIGN PATENT DOCUMENTS

(71) Applicant: **Bemis Manufacturing Company**,  
Sheboygan Falls, WI (US)

GB 2140523 11/1984

\* cited by examiner

(72) Inventor: **Jonathan Arndt**, Sheboygan Falls, WI  
(US)

*Primary Examiner* — Randall H Gholson

(74) *Attorney, Agent, or Firm* — Michael Best &  
Friedrich LLP

(73) Assignee: **Bemis Manufacturing Company**,  
Sheboygan Falls, WI (US)

(57) **CLAIM**

I claim the ornamental design for a socket, as shown and  
described.

**DESCRIPTION**

(\*\*) Term: **15 Years**

FIG. 1 is a perspective view of a socket embodying the  
invention.

(21) Appl. No.: **29/600,870**

FIG. 2 is another perspective view of the socket shown in  
FIG. 1.

(22) Filed: **Apr. 17, 2017**

FIG. 3 is a first side view of the socket shown in FIG. 1.

(51) **LOC (11) Cl.** ..... **08-05**

FIG. 4 is a second side view of the socket shown in FIG. 1.

(52) **U.S. Cl.**

FIG. 5 is a third side view of the socket shown in FIG. 1.

USPC ..... **D8/29**

FIG. 6 is a fourth side view of the socket shown in FIG. 1.

(58) **Field of Classification Search**

FIG. 7 is a first end view of the socket shown in FIG. 1.

USPC ..... D8/29; 81/60, 177.1, 177.85, 121.1,

FIG. 8 is a second end view of the socket shown in FIG. 1.

81/124.3, 165-170, 110.1, 176.2, 124.6,

FIG. 9 is a perspective view of another socket embodying  
the invention.

81/176.1, 176.15, 186, 177.2; 16/110.1

FIG. 10 is another perspective view of the socket shown in  
FIG. 9.

CPC ..... B25B 13/06; B25B 13/065

FIG. 11 is a first side view of the socket shown in FIG. 9.

See application file for complete search history.

FIG. 12 is a second side view of the socket shown in FIG.  
9.

(56) **References Cited**

U.S. PATENT DOCUMENTS

6,397,706 B1 \* 6/2002 Maznicki ..... B25B 13/06

81/121.1

8,104,382 B2 \* 1/2012 Hu ..... B25B 23/0014

403/57

D750,457 S \* 3/2016 Li ..... D8/29

FIG. 13 is a third side view of the socket shown in FIG. 9.

FIG. 14 is a fourth side view of the socket shown in FIG. 9.

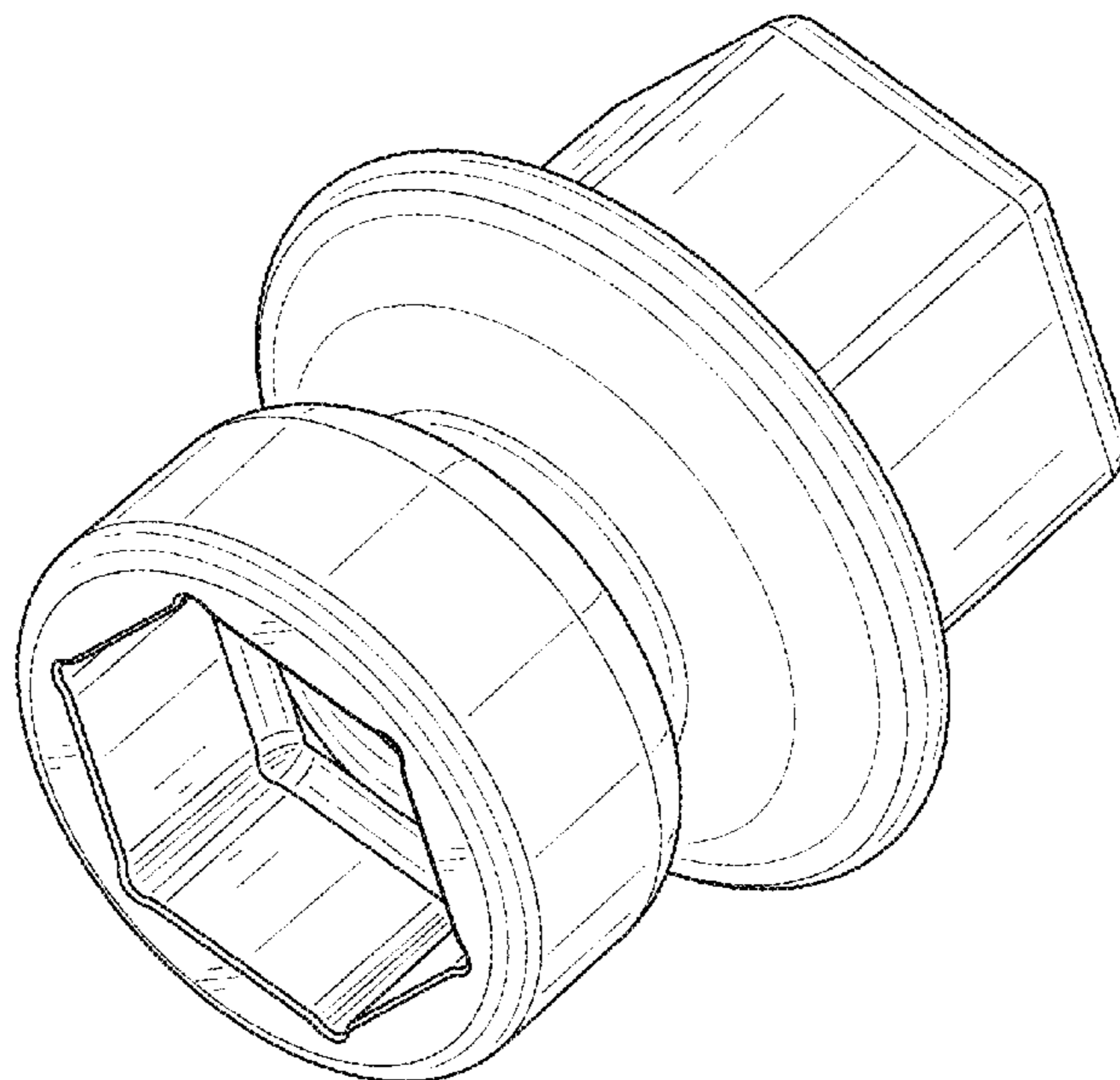
FIG. 15 is a first end view of the socket shown in FIG. 9;

and,

FIG. 16 is a second end view of the socket shown in FIG. 9.

Portions of the socket shown in broken lines are for illus-  
trative purposes only and form no part of the claimed design.

**1 Claim, 16 Drawing Sheets**



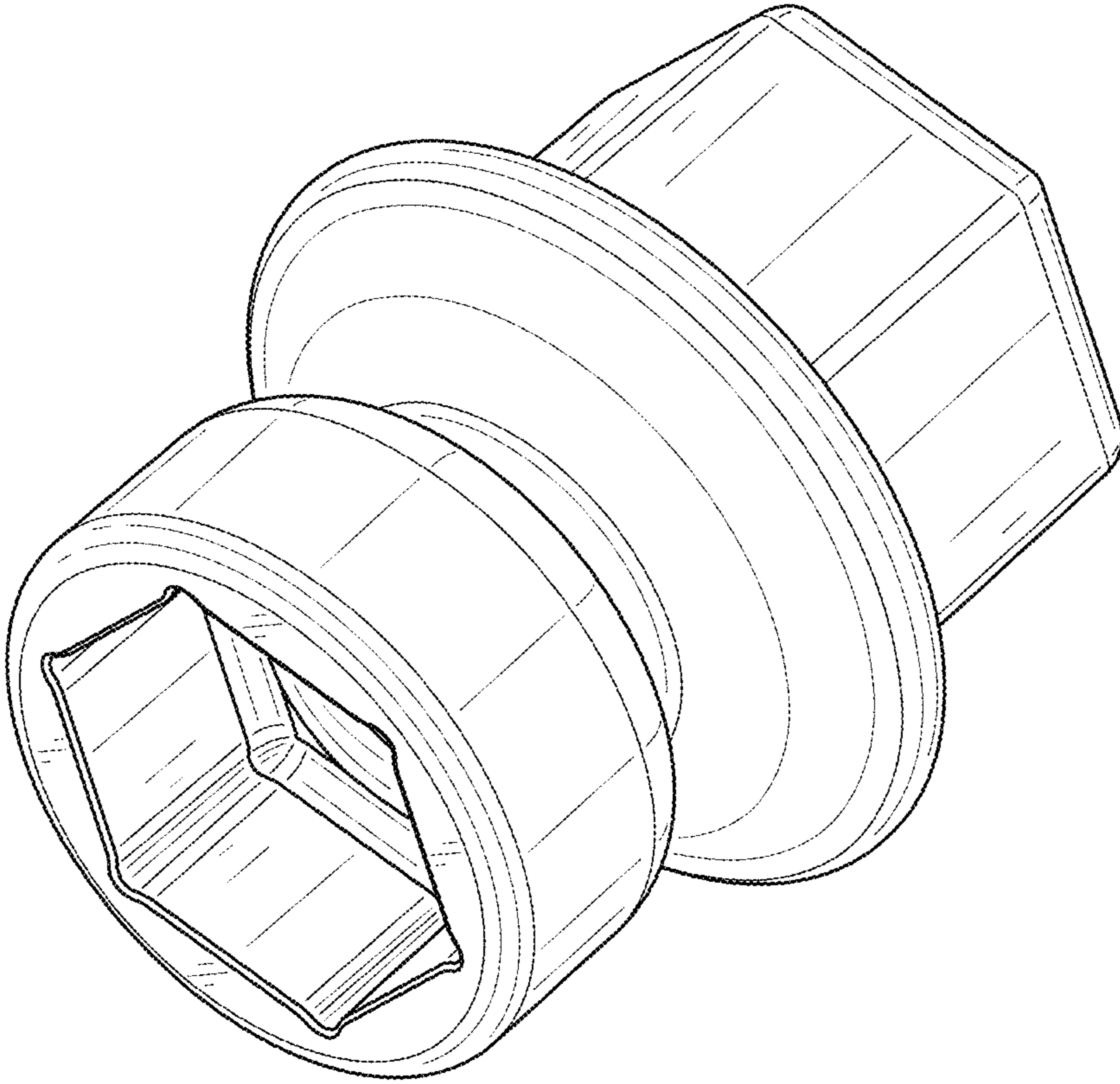


FIG. 1

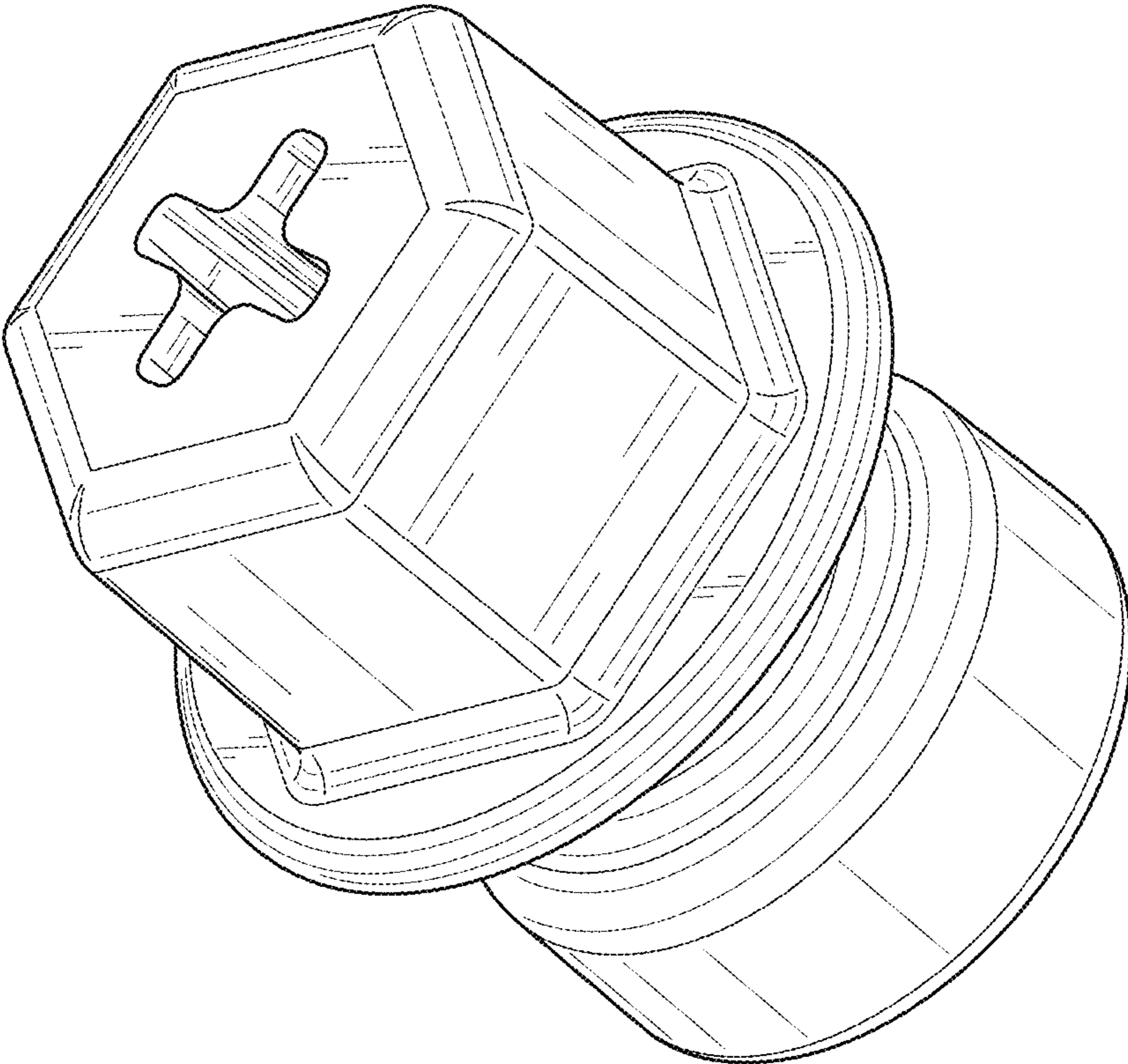


FIG. 2

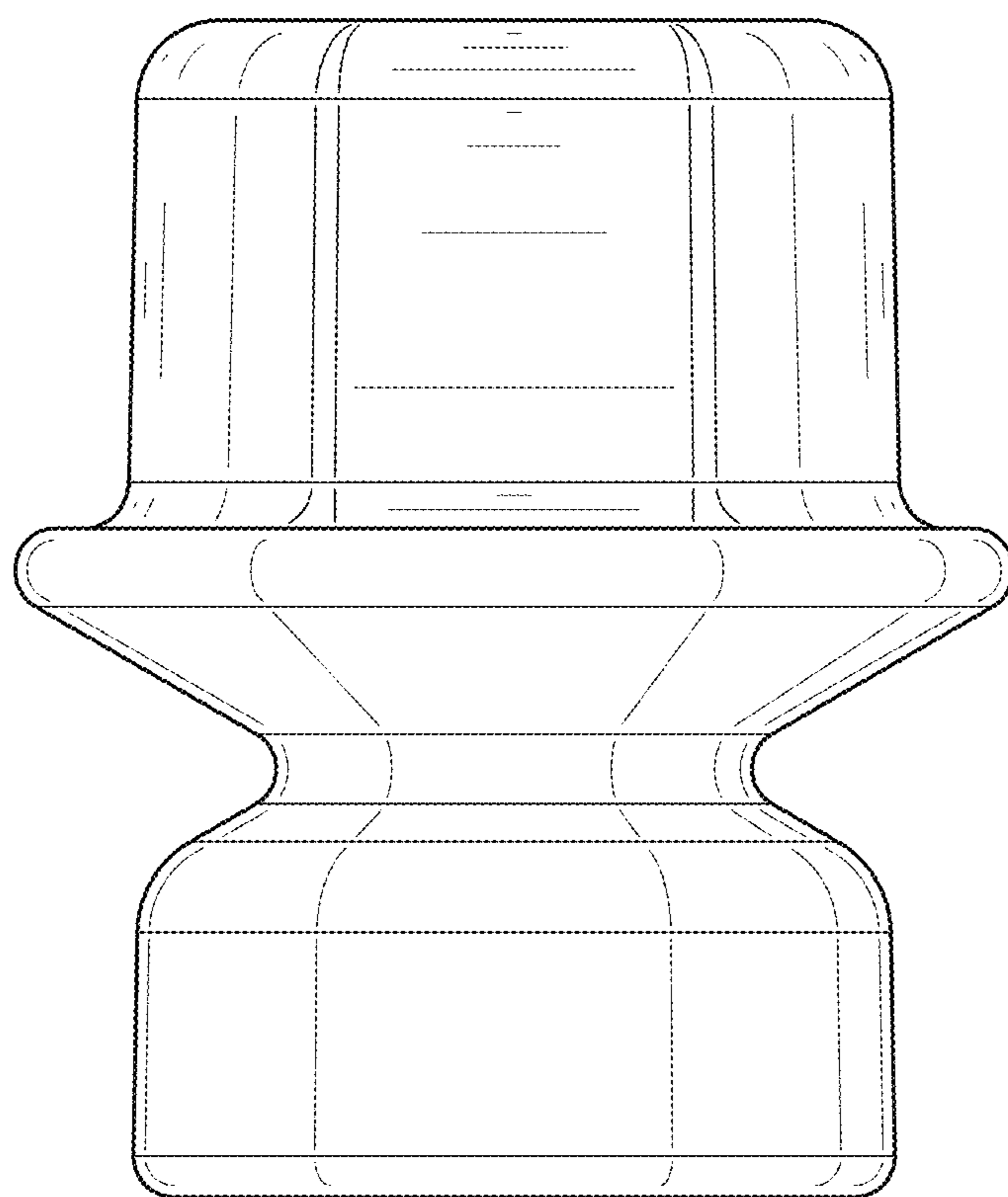


FIG. 3

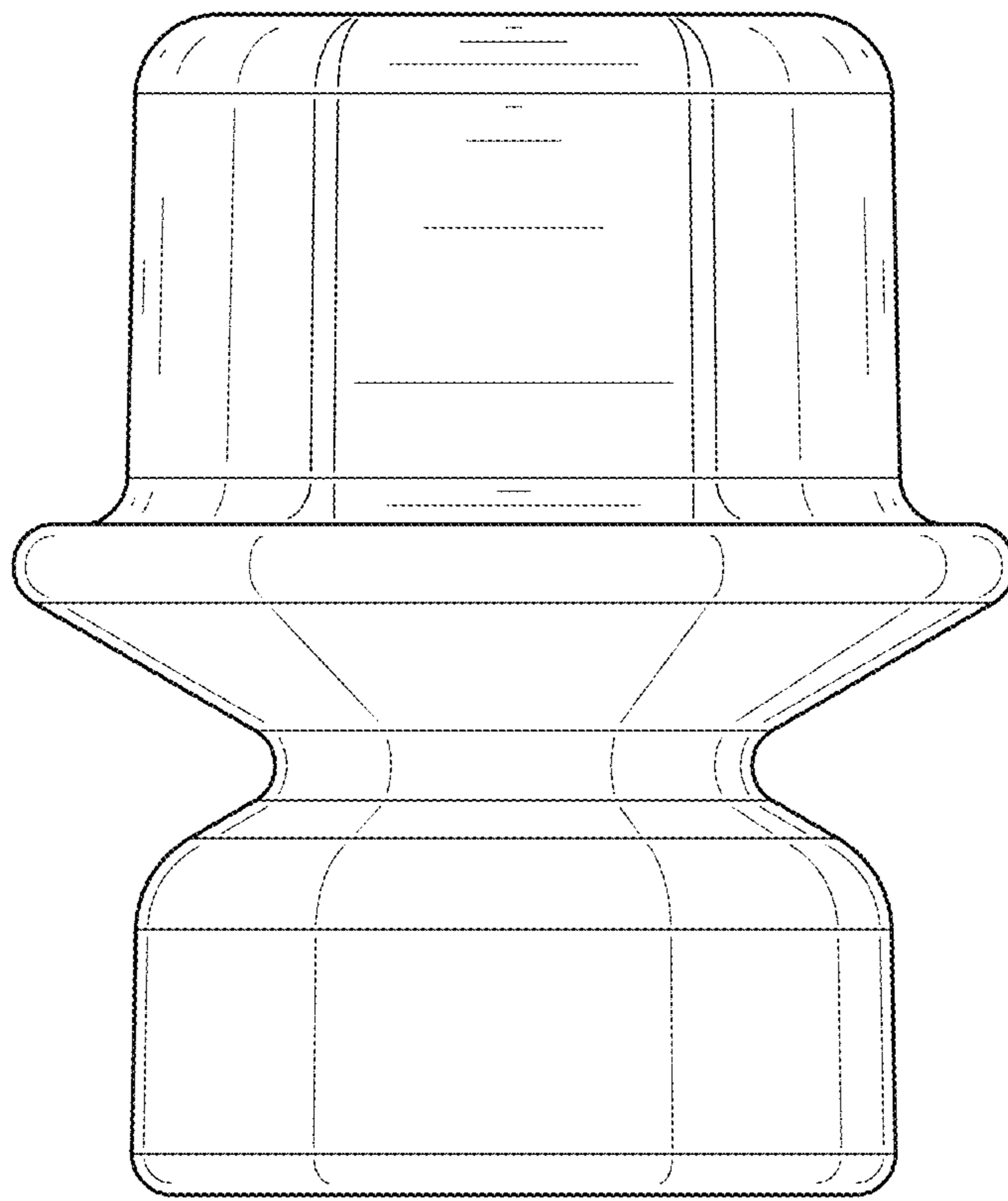


FIG. 4

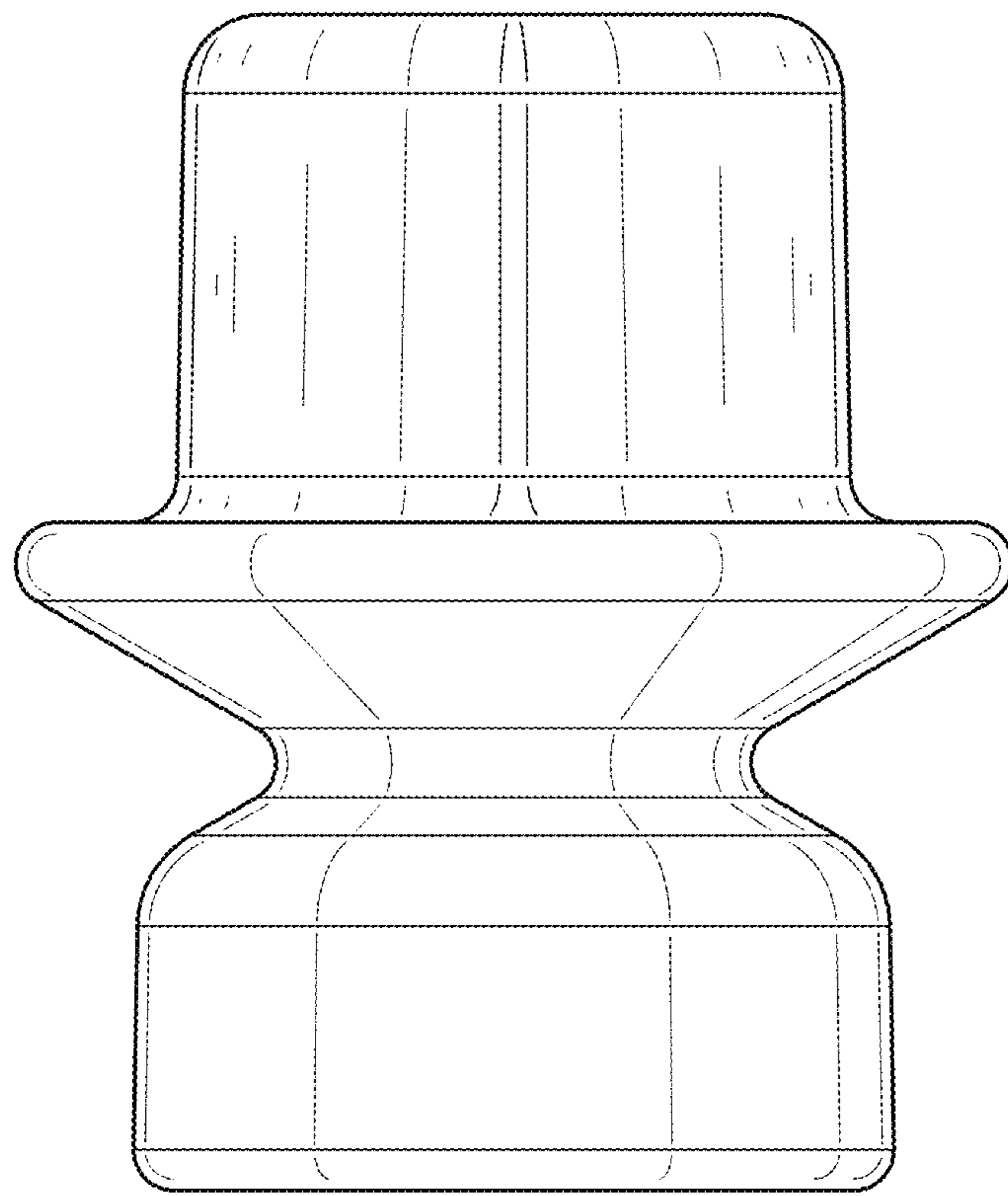


FIG. 5

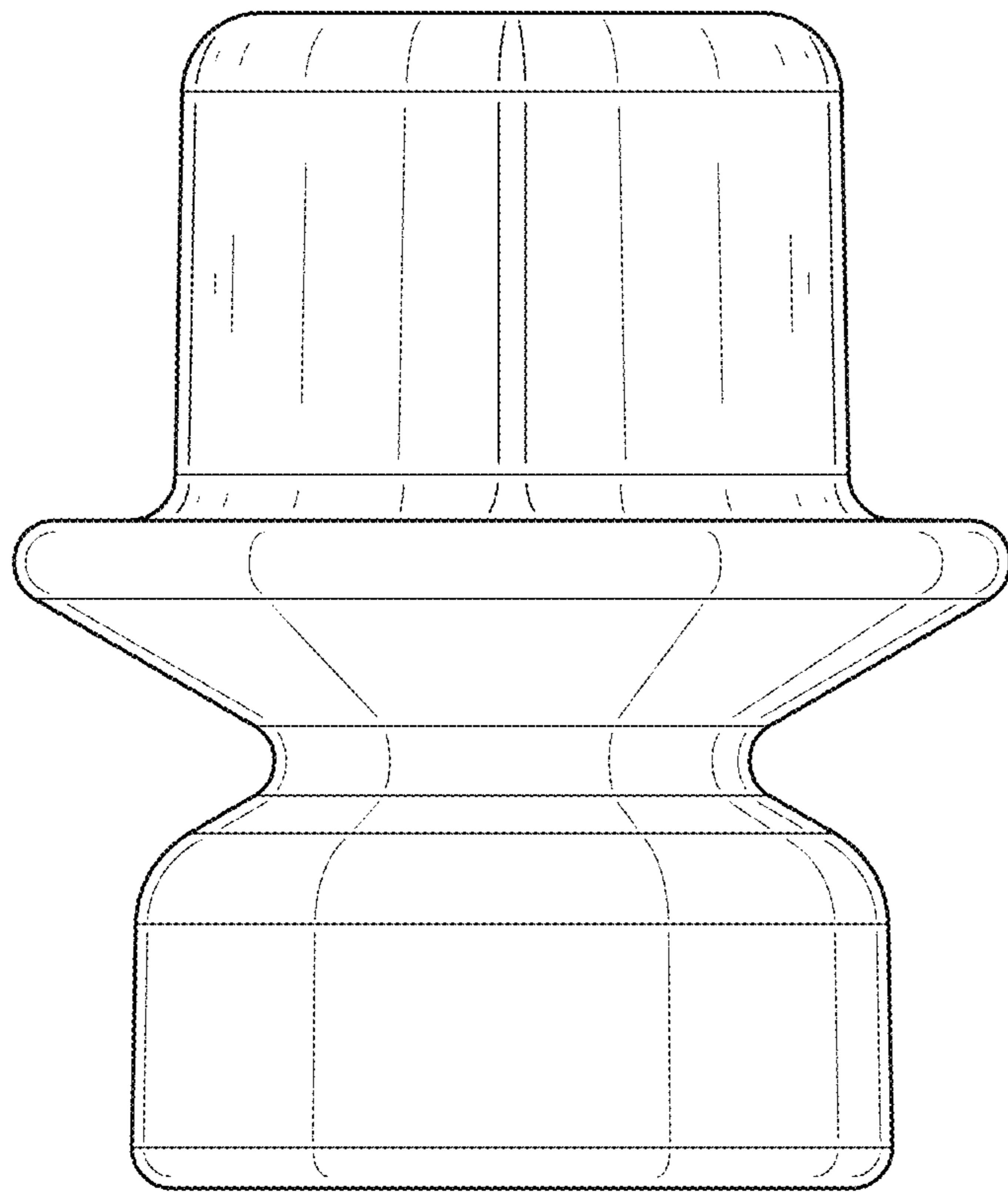


FIG. 6

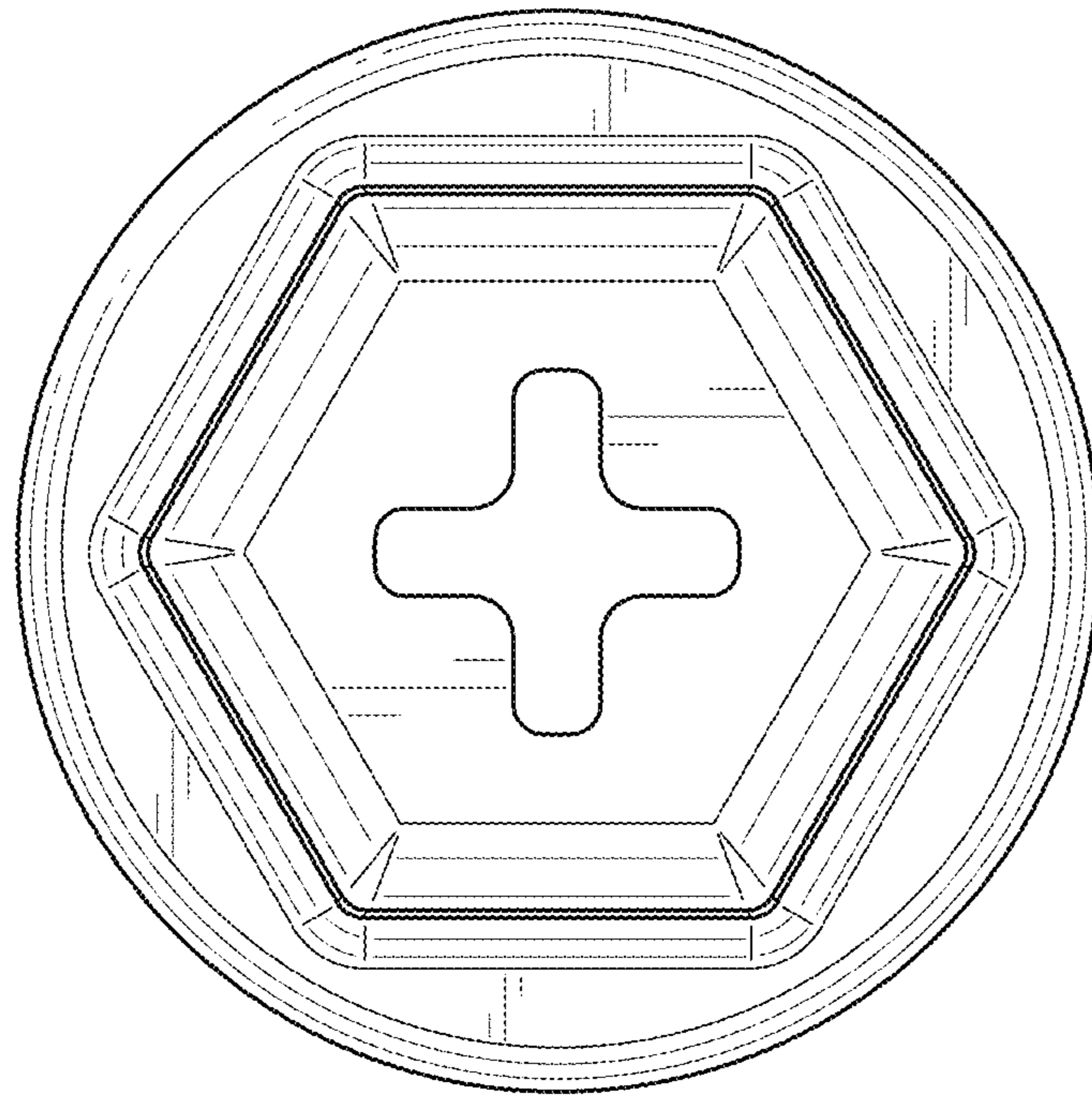


FIG. 7



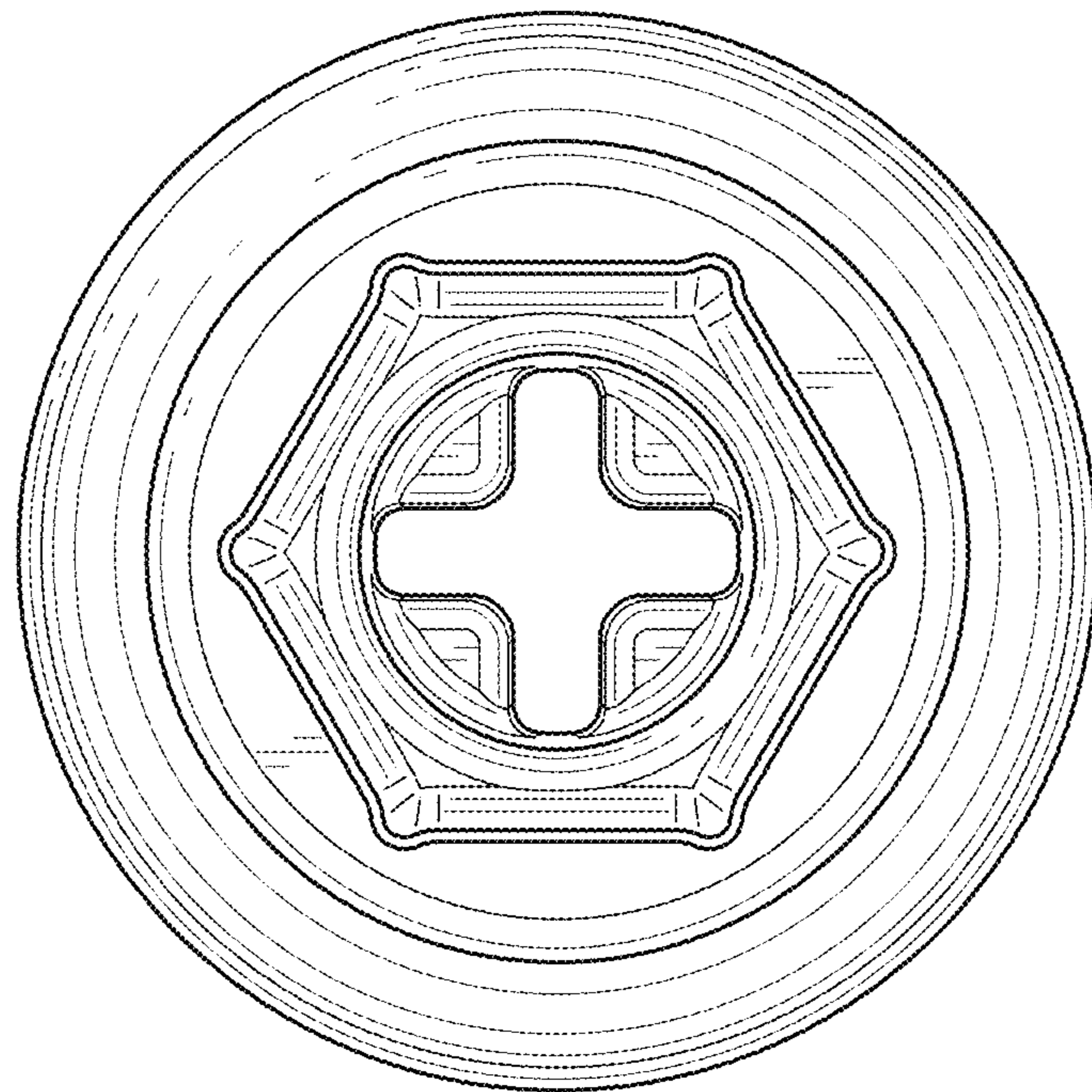


FIG. 8

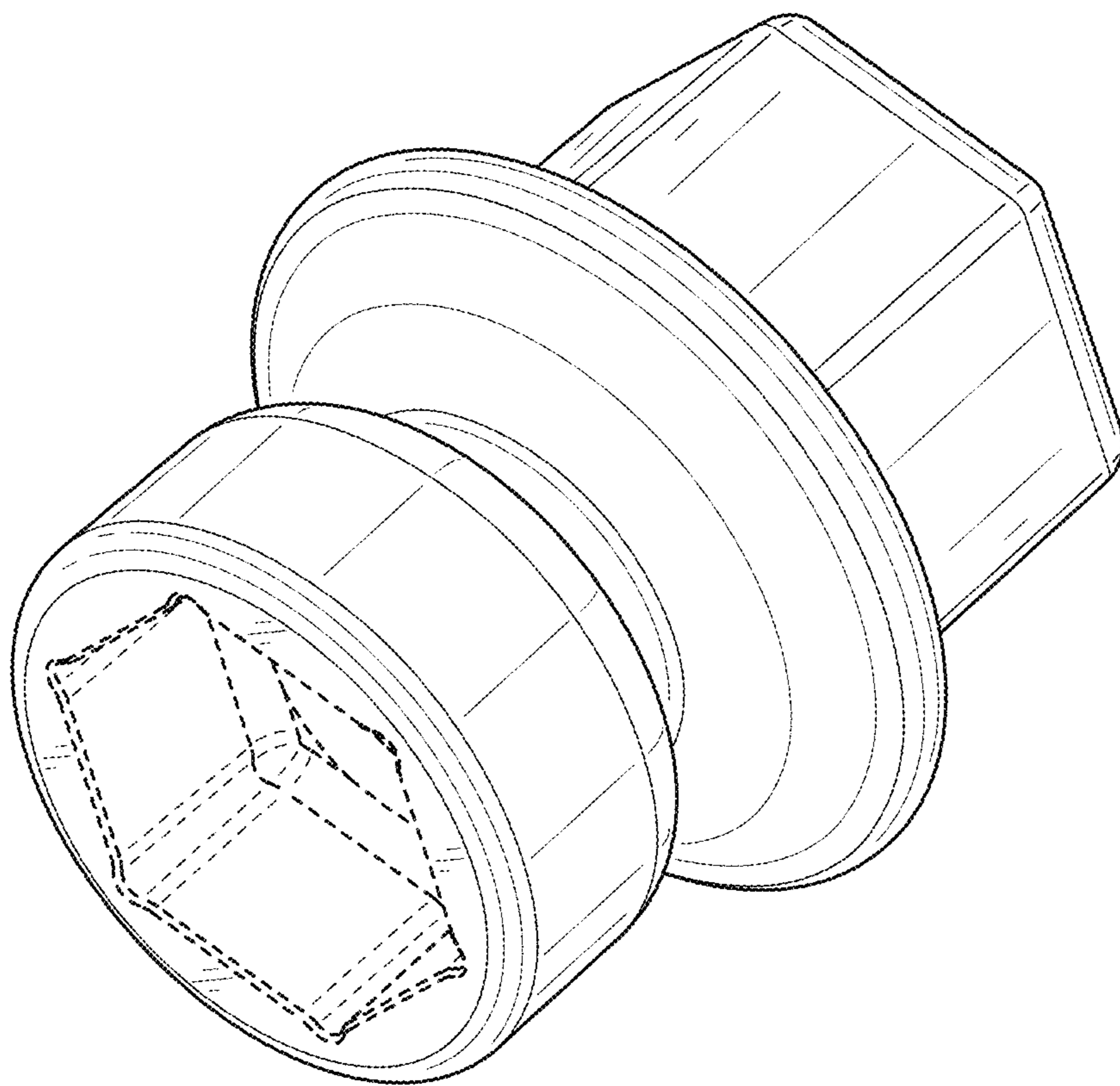


FIG. 9

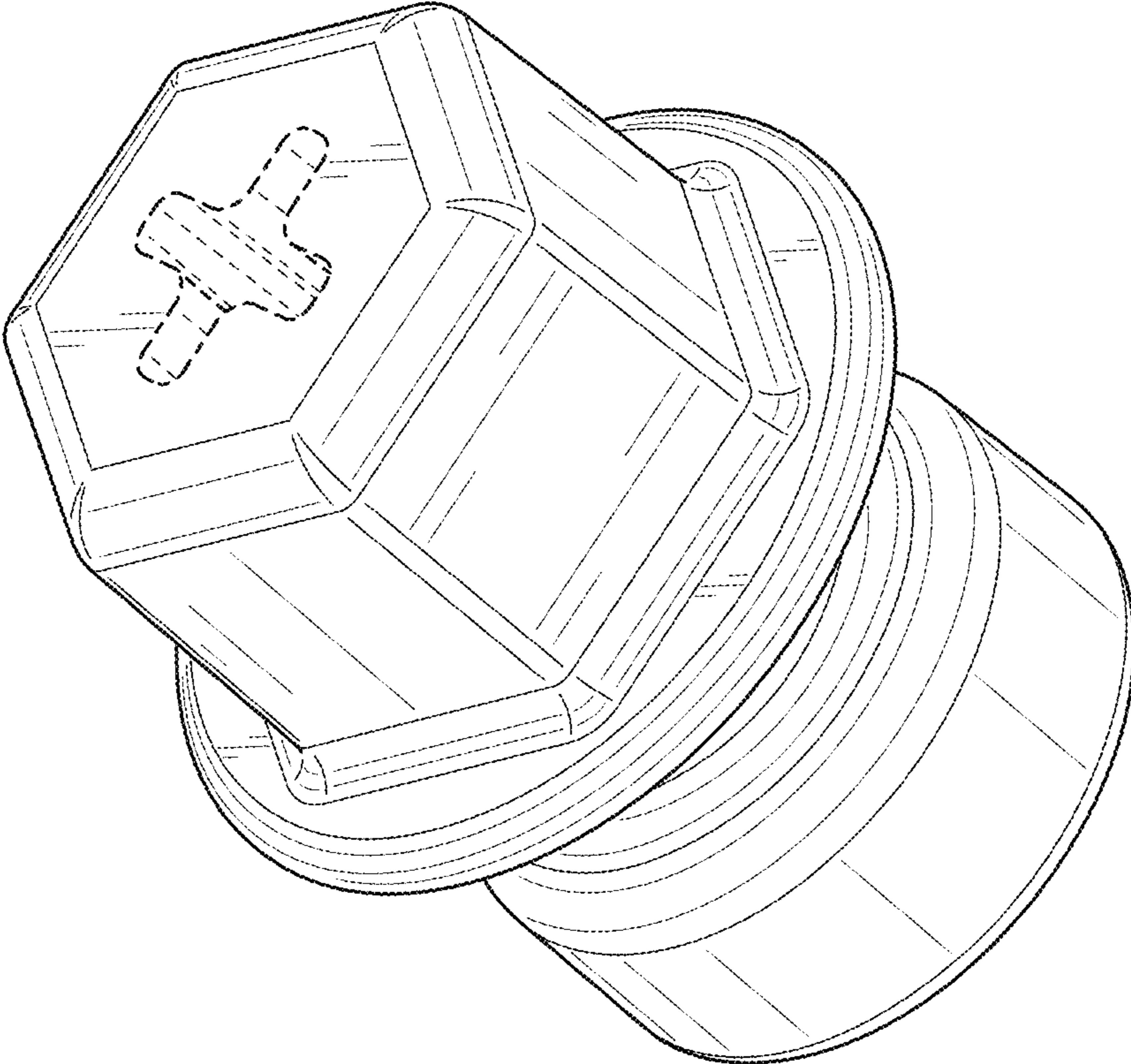


FIG. 10

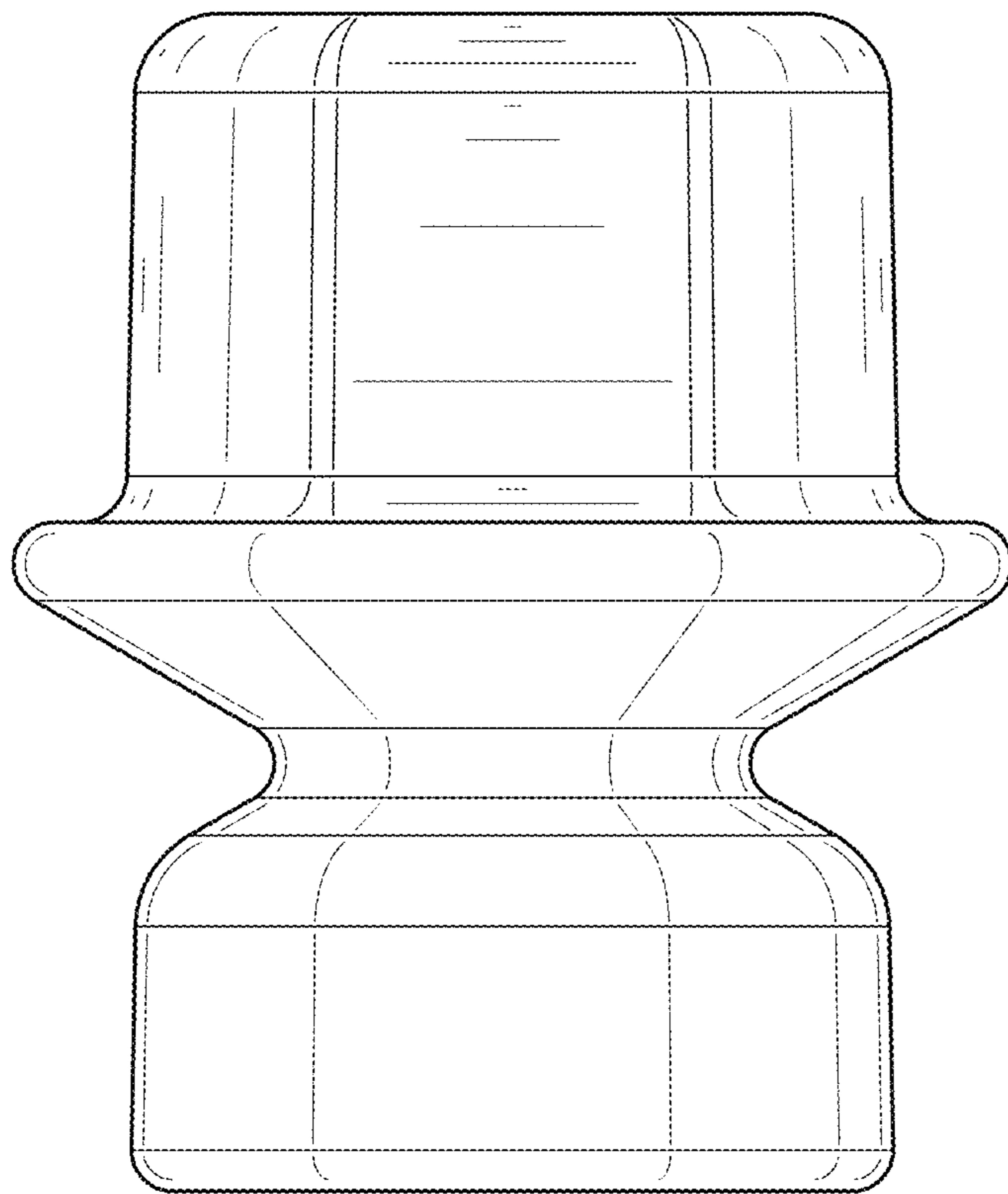


FIG. 11

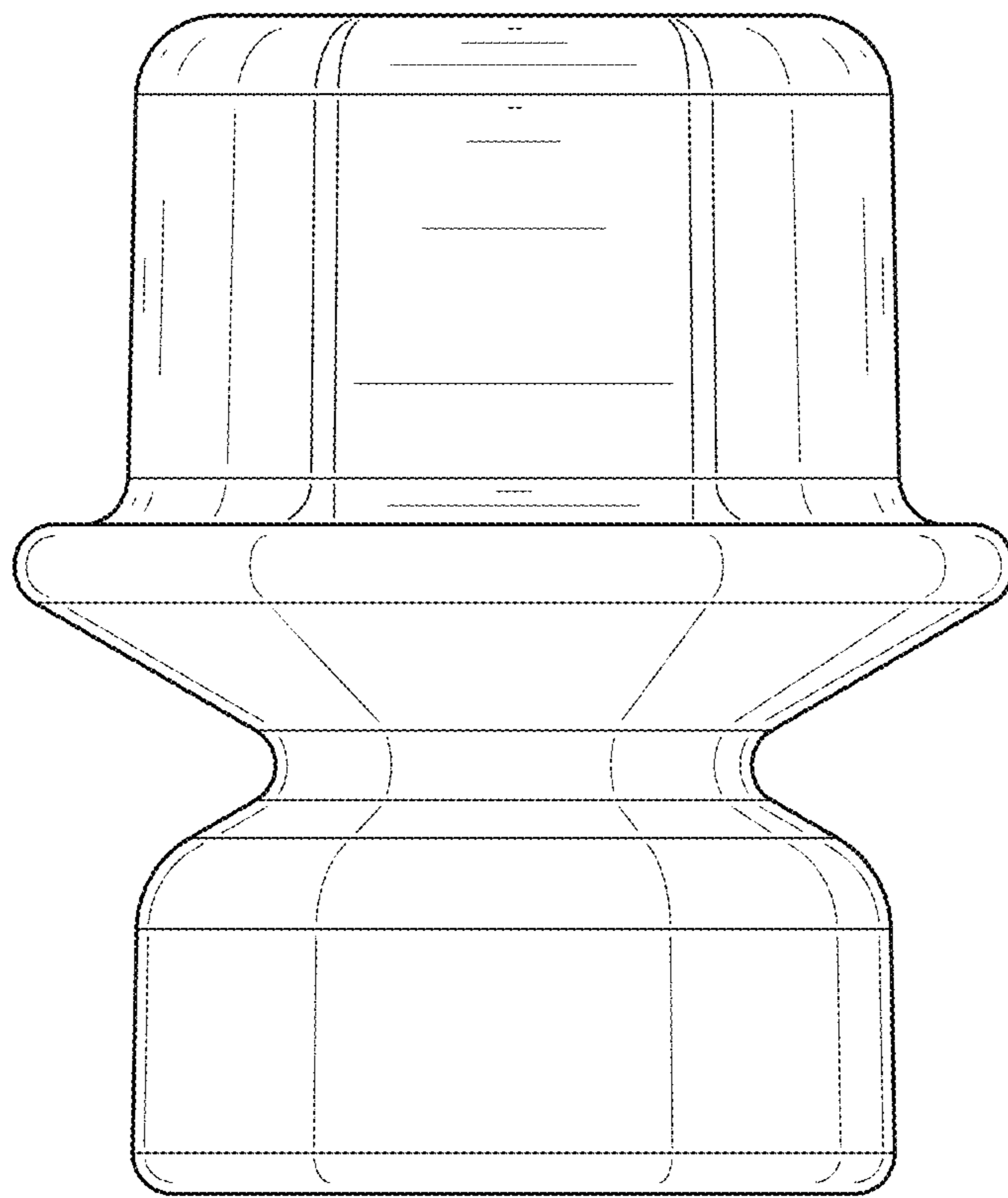


FIG. 12

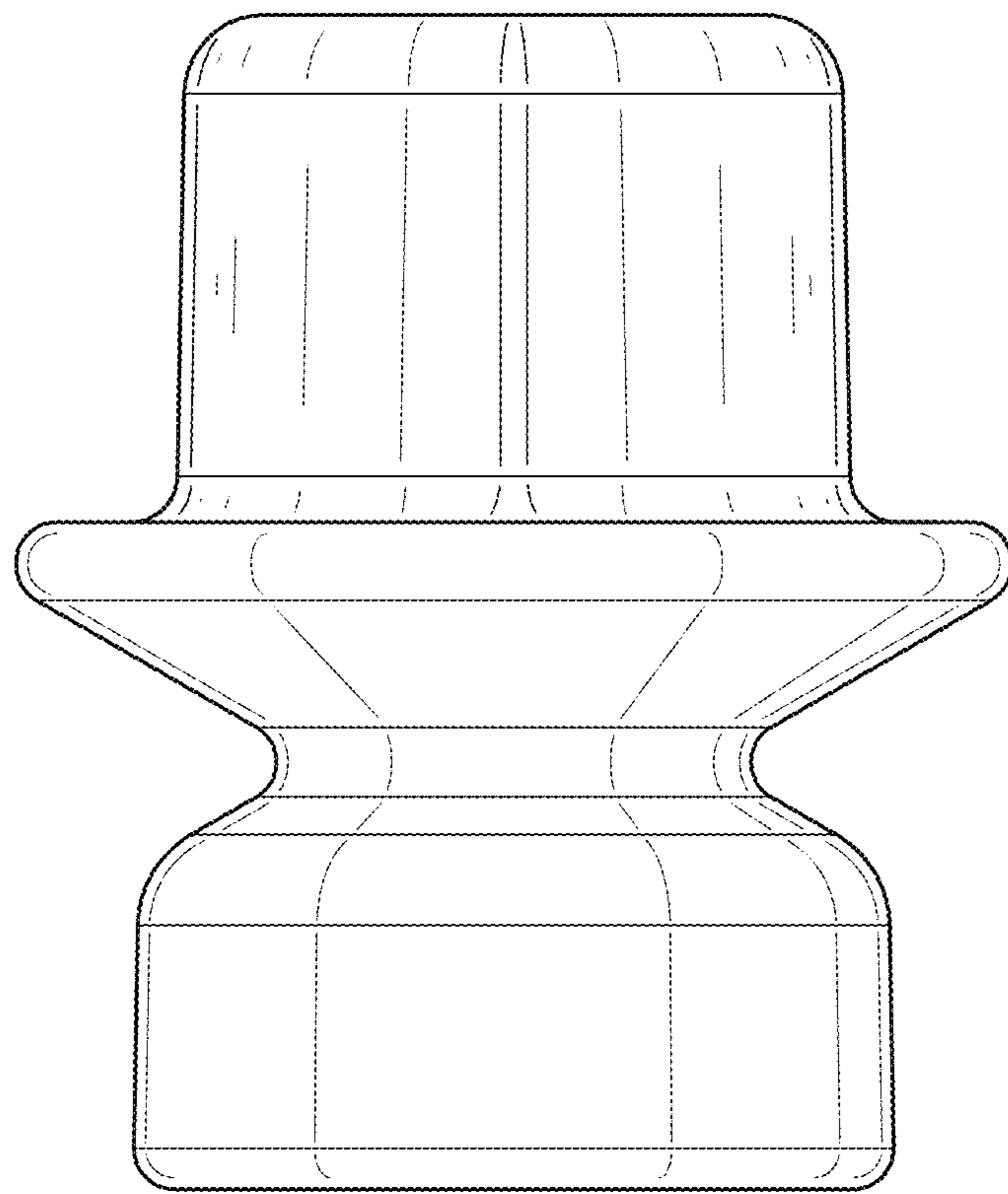


FIG. 13

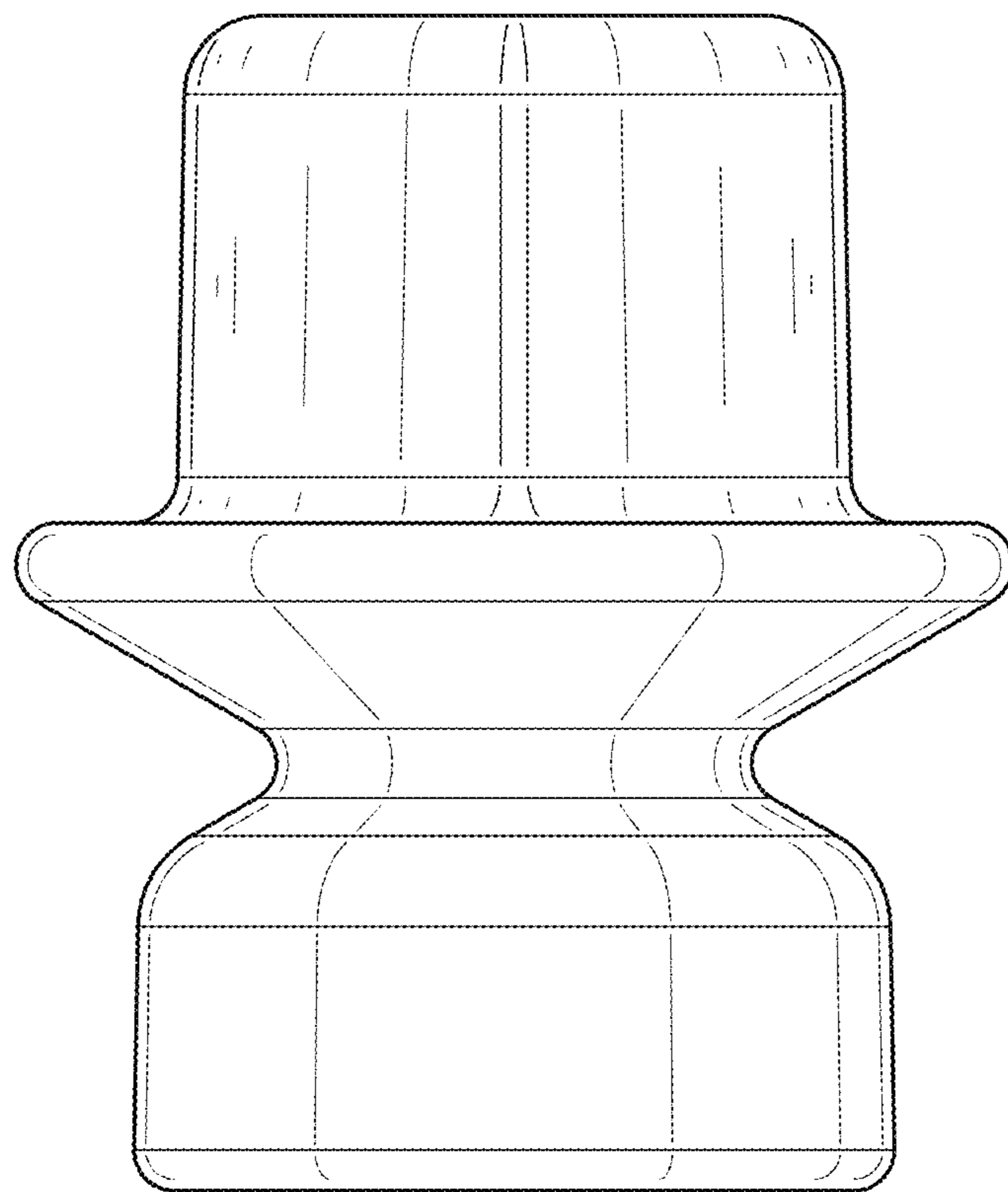


FIG. 14

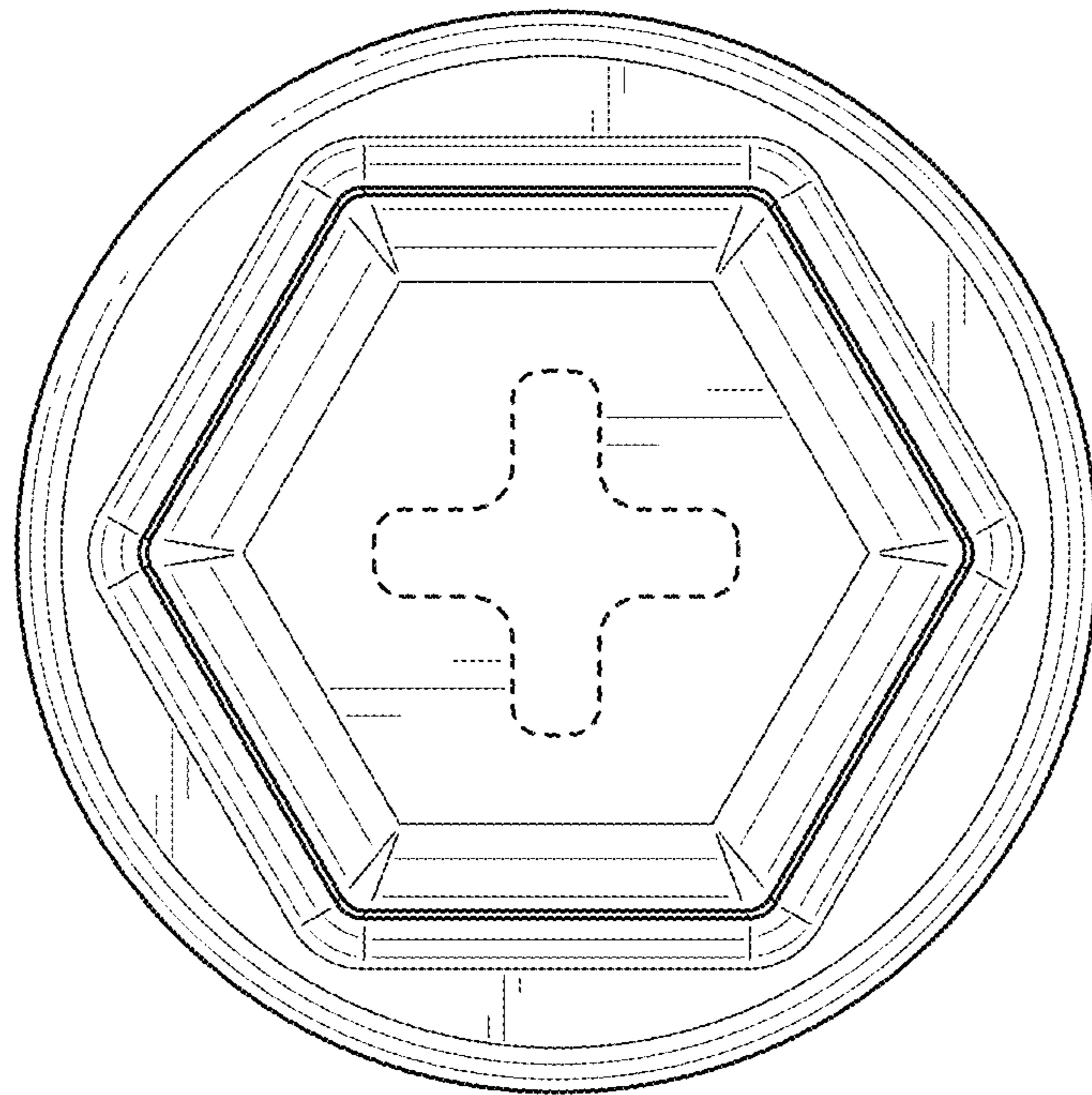


FIG. 15



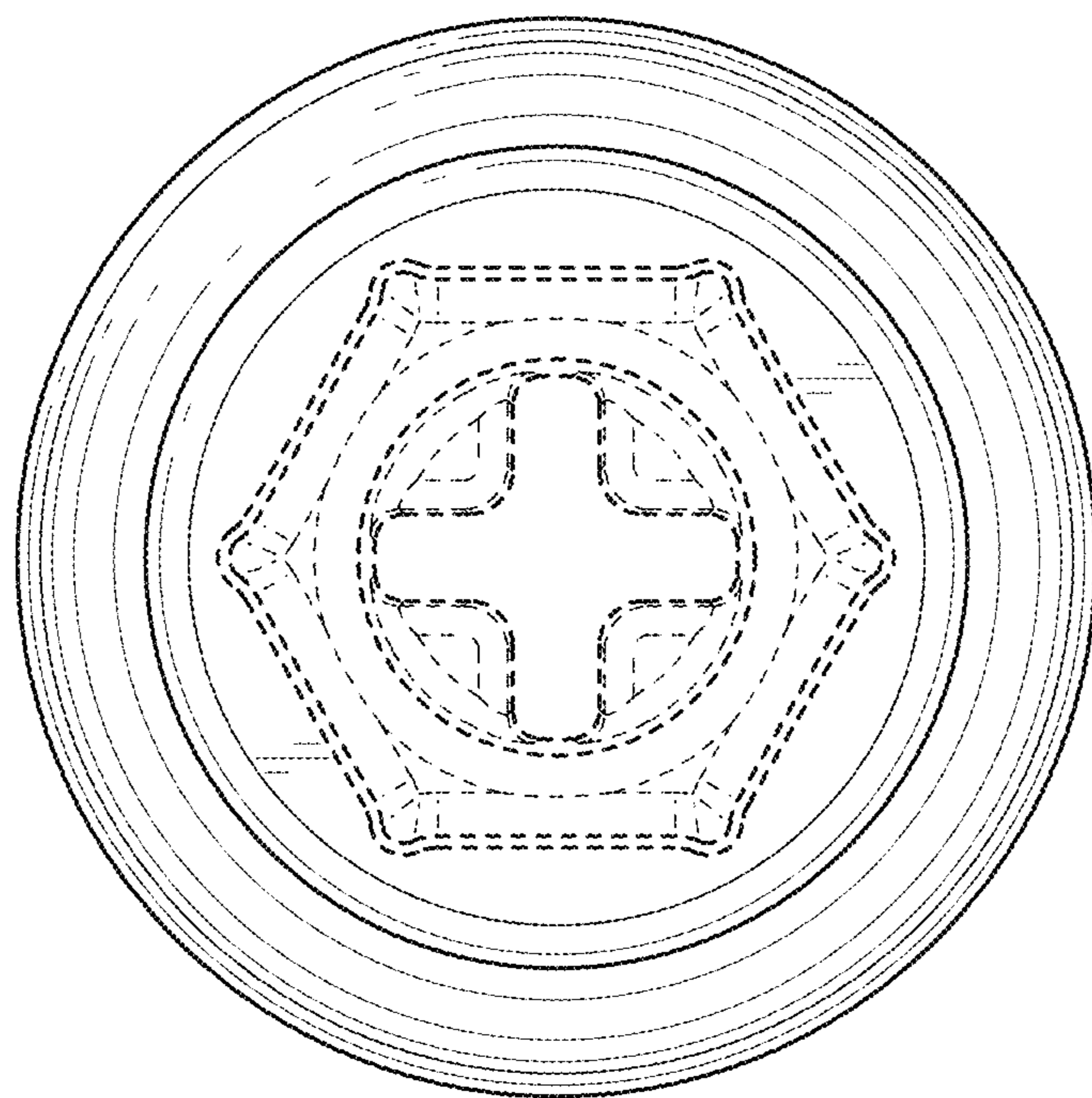


FIG. 16