



US00D821833S

(12) **United States Design Patent**
Liu

(10) **Patent No.:** **US D821,833 S**
(45) **Date of Patent:** **** Jul. 3, 2018**

(54) **DRIVING HEAD FOR RATCHET WRENCH**

2014/0033880 A1* 2/2014 Hill B25B 13/04
81/121.1

(71) Applicant: **Chao-Chih Liu**, Taichung (TW)

* cited by examiner

(72) Inventor: **Chao-Chih Liu**, Taichung (TW)

Primary Examiner — Randall H Gholson

(**) Term: **15 Years**

(21) Appl. No.: **29/614,063**

(57) **CLAIM**

(22) Filed: **Aug. 15, 2017**

The ornamental design for a driving head for ratchet wrench,
as shown and described.

(51) **LOC (11) Cl.** **08-05**

(52) **U.S. Cl.**

USPC **D8/25**

(58) **Field of Classification Search**

USPC D8/17, 21-29; 81/58, 58.2, 119, 124.3,
81/124.2, 124.4, 125.1, 186, 121.1, 60,
81/63.1

CPC B25B 13/02; B25B 13/08; B25B 13/04;
B25B 13/065; B25B 13/46; B25B 13/463

See application file for complete search history.

DESCRIPTION

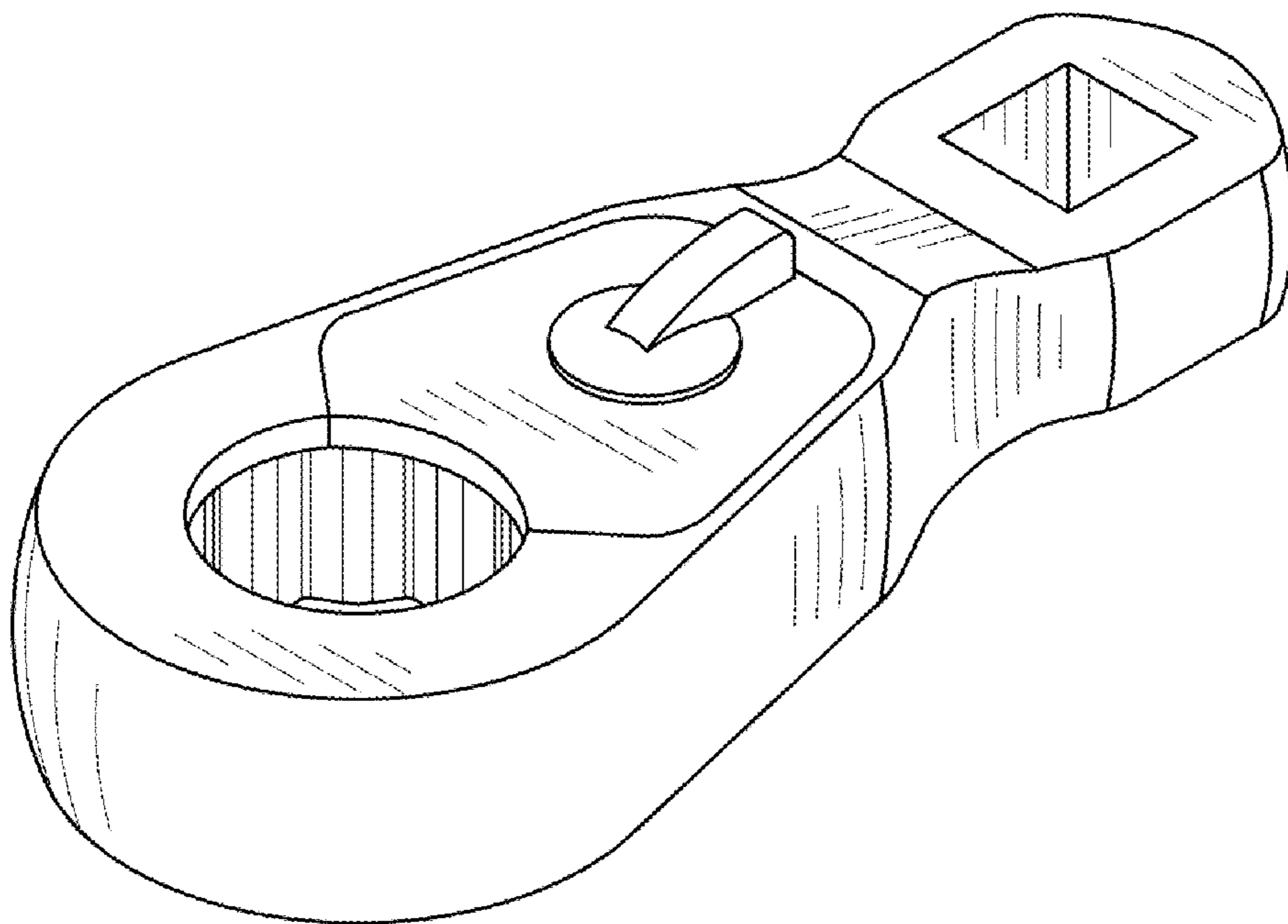
FIG. 1 is a front-right-top perspective view of the driving head for ratchet wrench showing my new design;
FIG. 2 is a front elevational view thereof;
FIG. 3 is a rear front devotional view thereof;
FIG. 4 is a left side elevational view thereof;
FIG. 5 is a right side elevational view thereof;
FIG. 6 is a top plan view thereof;
FIG. 7 is a bottom plan view thereof; and,
FIG. 8 is a front-right-bottom perspective view thereof.

(56) **References Cited**

U.S. PATENT DOCUMENTS

D512,287 S * 12/2005 Li D8/25
D605,009 S * 12/2009 Robinson D8/25
D744,797 S * 12/2015 Wang D8/25

1 Claim, 5 Drawing Sheets



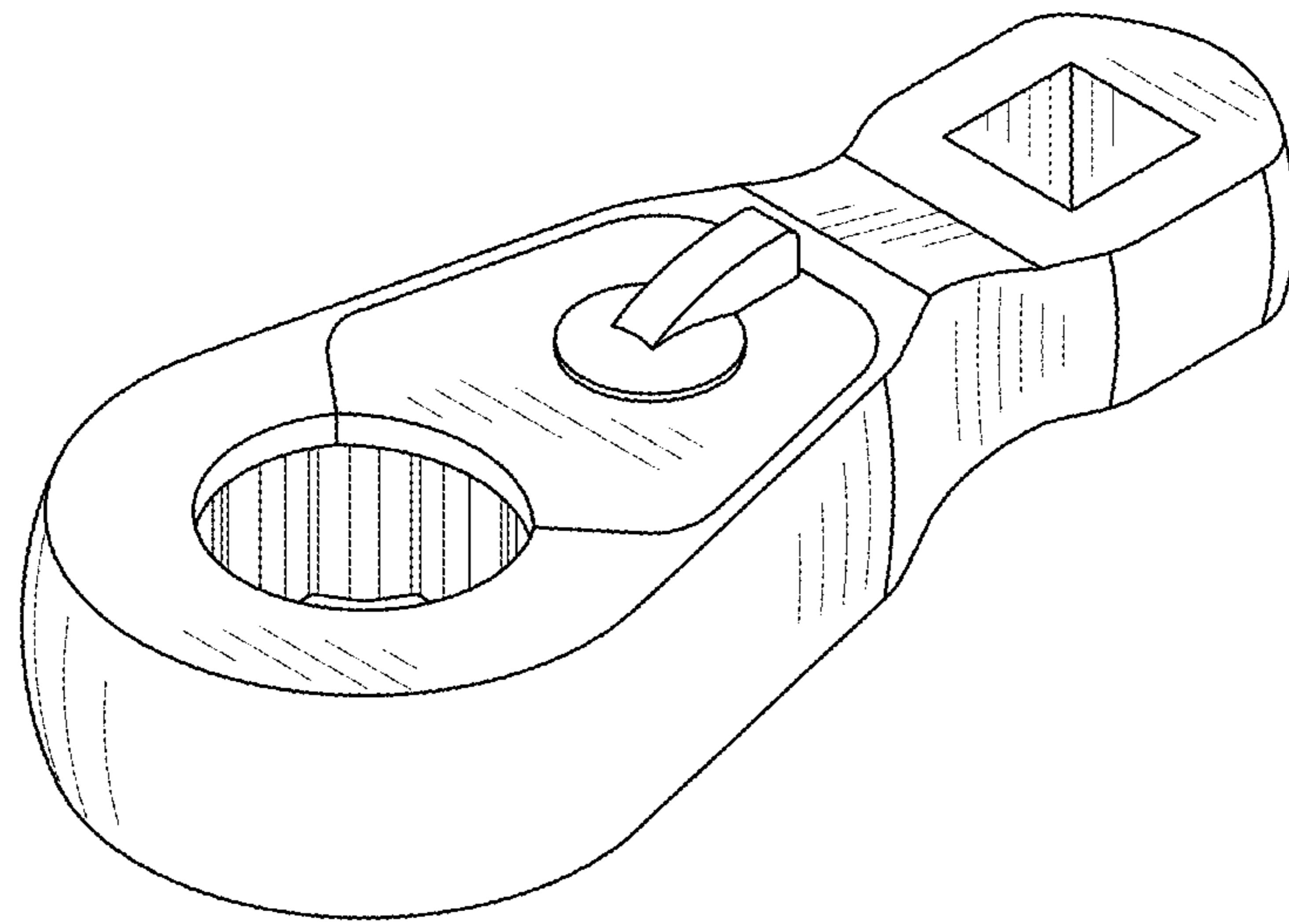


FIG.1

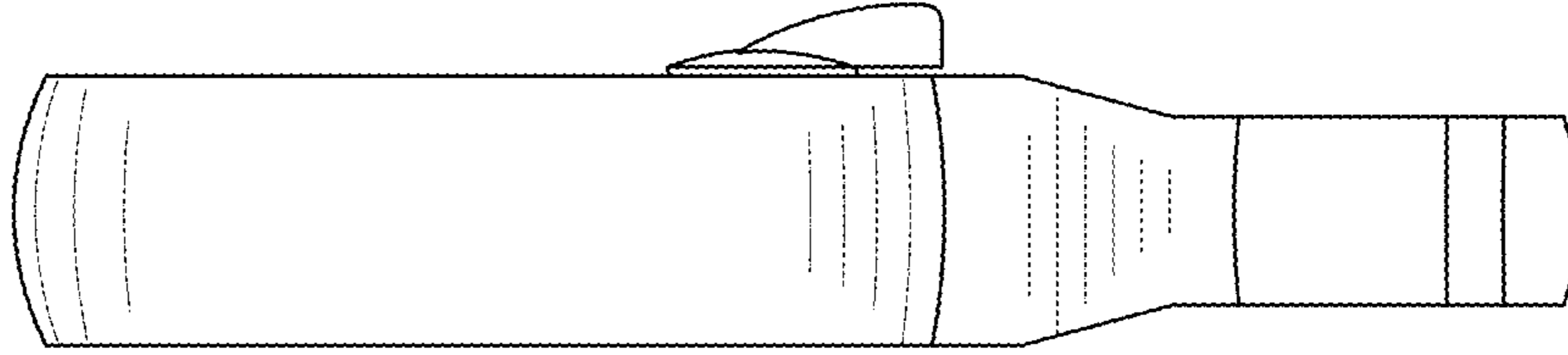


FIG.2

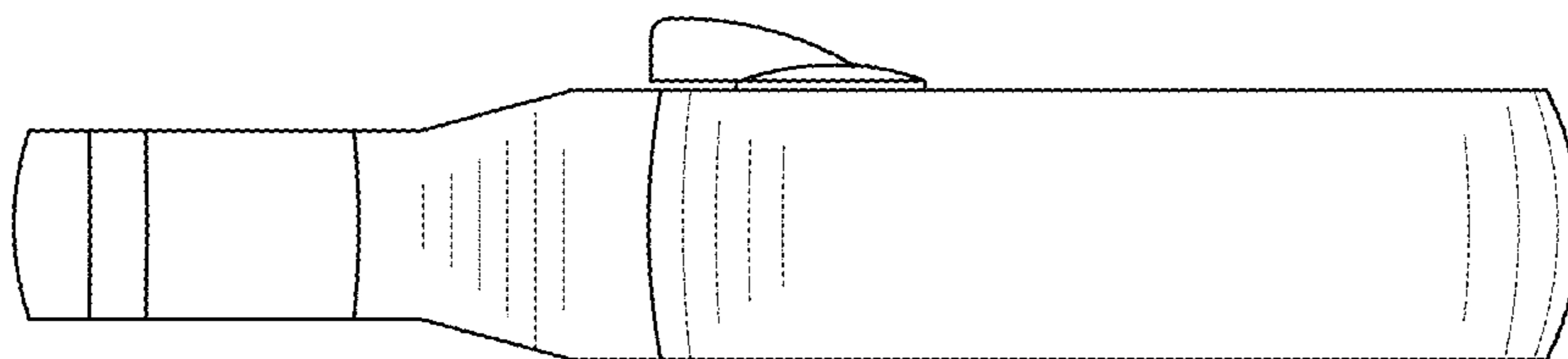


FIG.3

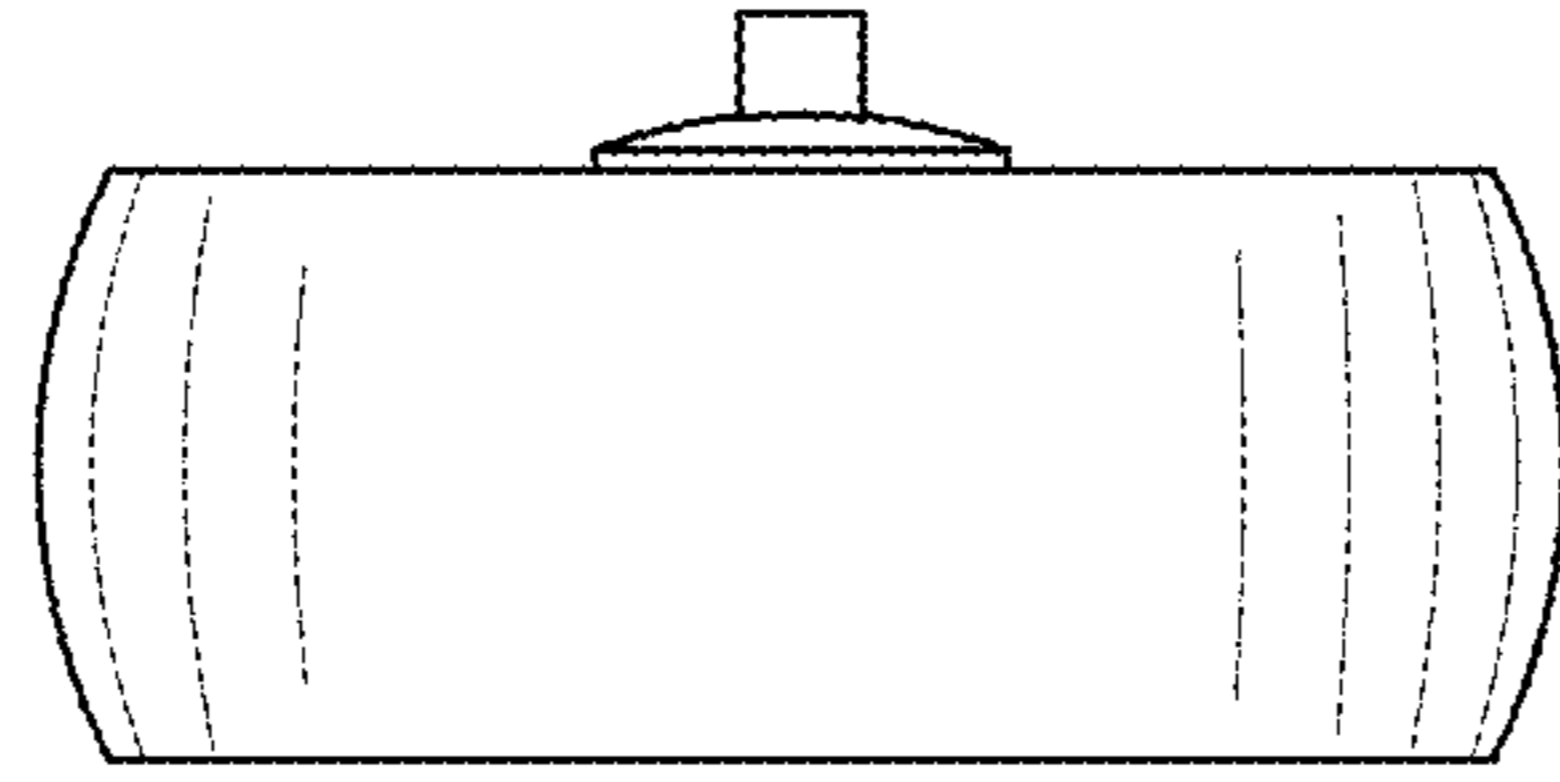


FIG.4

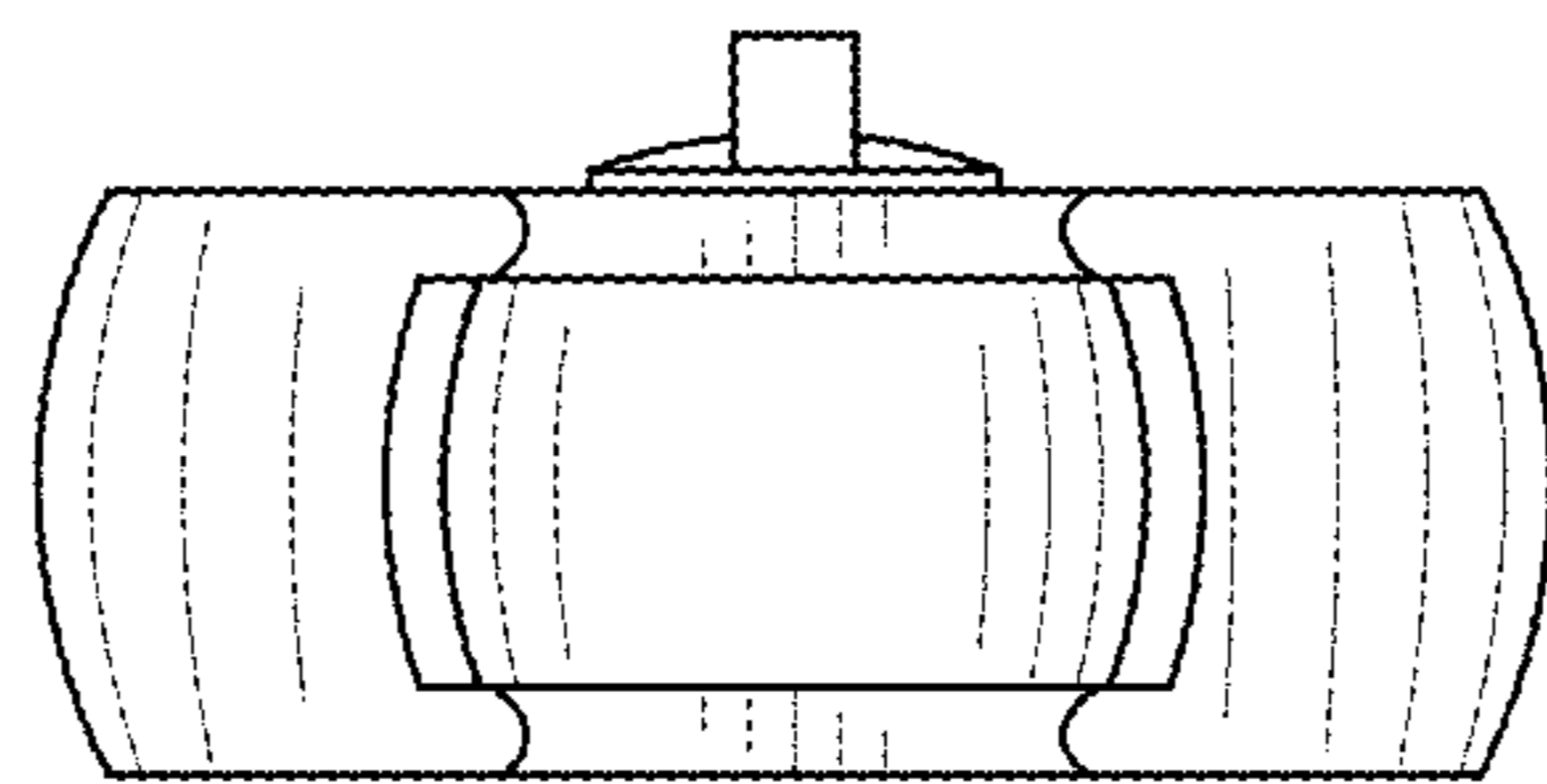


FIG.5

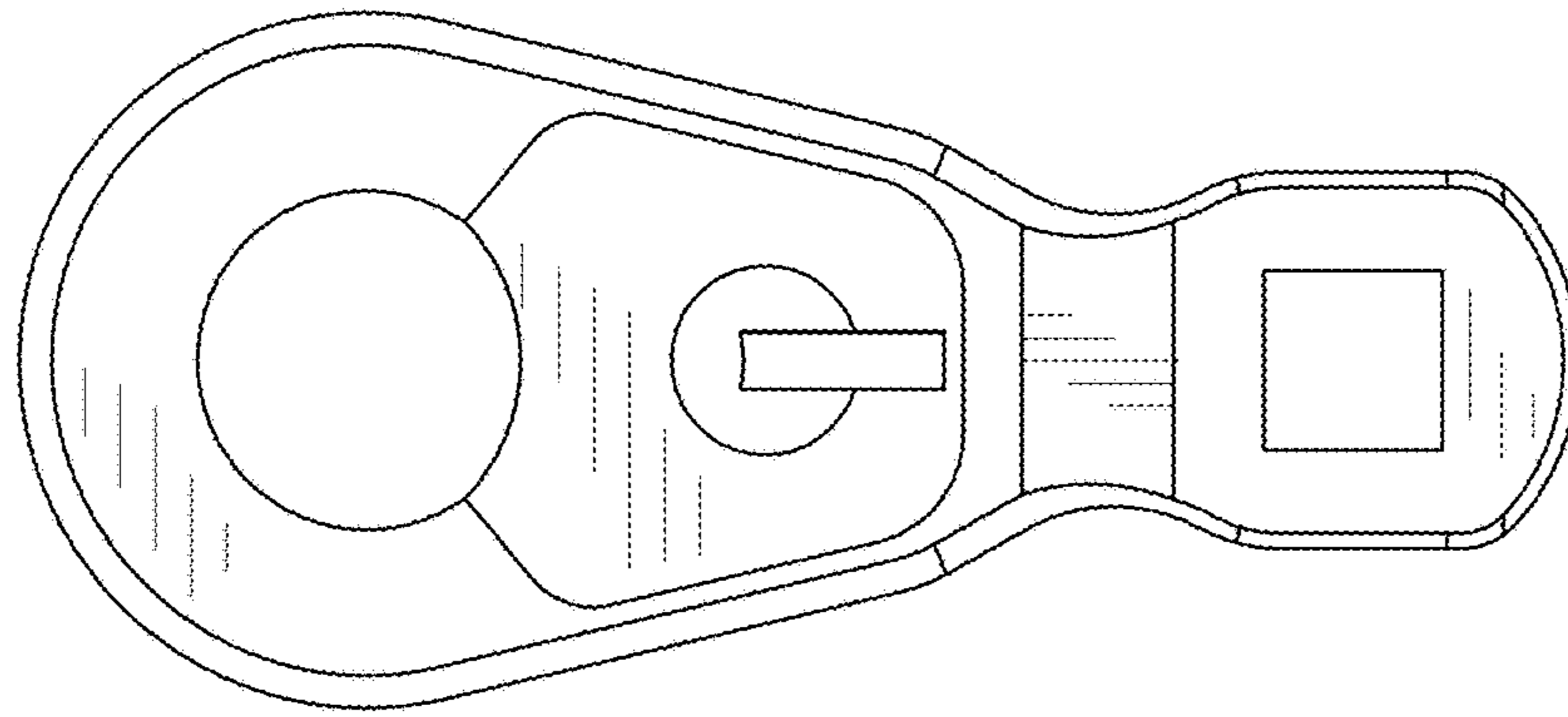


FIG. 6

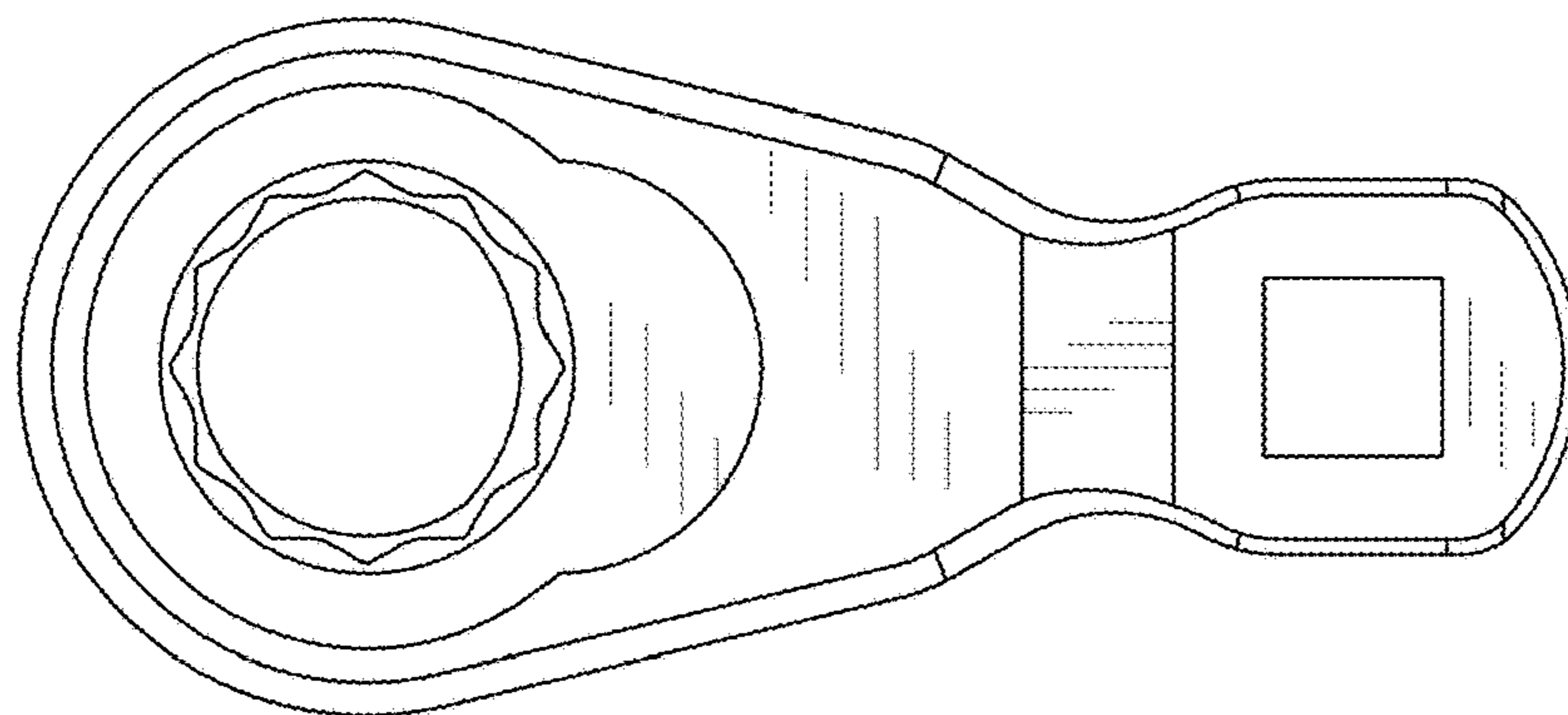


FIG. 7

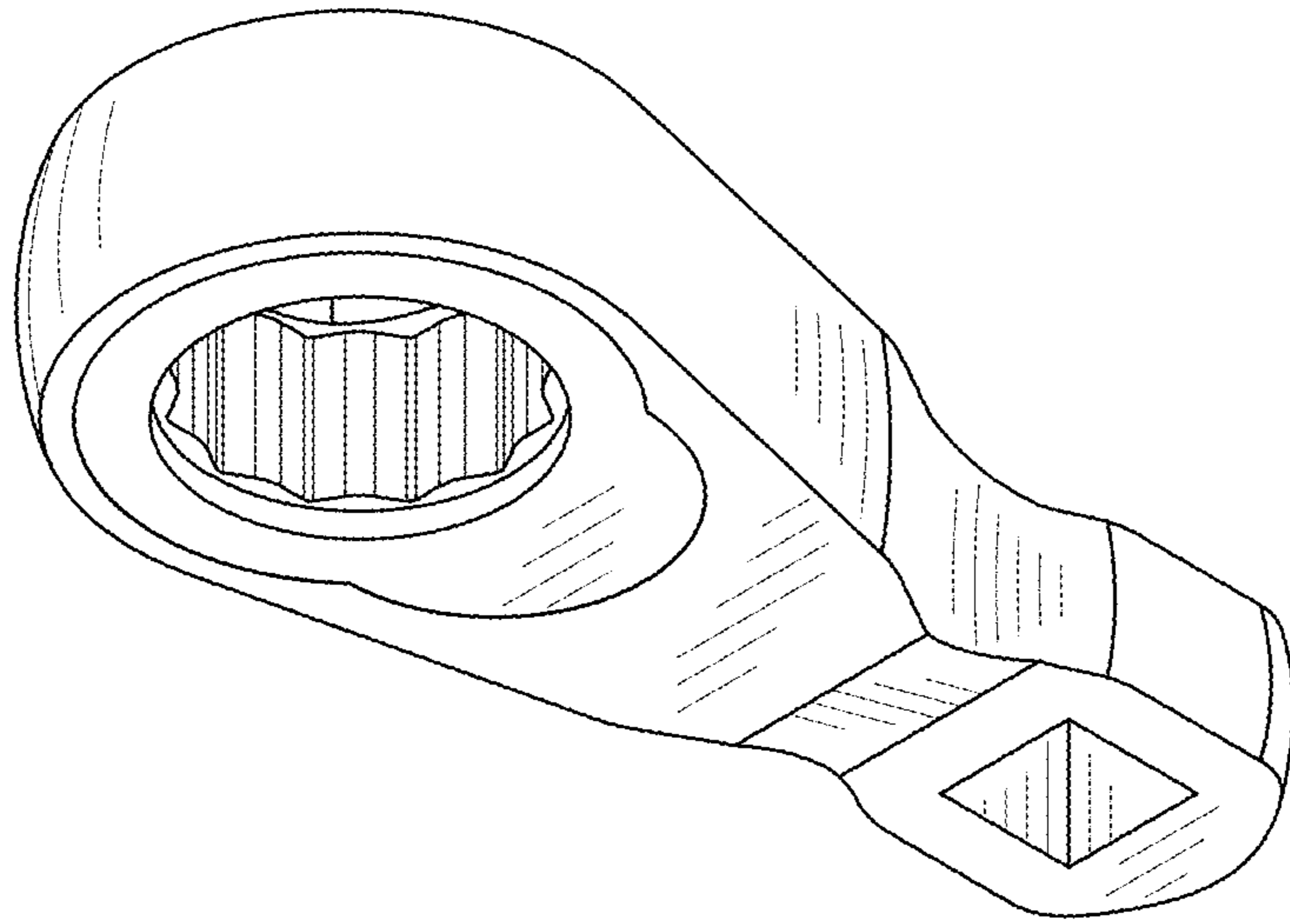


FIG.8