



US00D821832S

(12) **United States Design Patent** (10) **Patent No.:** **US D821,832 S**
Adams (45) **Date of Patent:** **** Jul. 3, 2018**

(54) **GRAFTING TOOL**

(71) Applicant: **Ian William Adams**, Hastings (NZ)

(72) Inventor: **Ian William Adams**, Hastings (NZ)

(**) Term: **15 Years**

(21) Appl. No.: **29/566,785**

(22) Filed: **Jun. 2, 2016**

(51) **LOC (11) Cl.** **08-01**

(52) **U.S. Cl.**
USPC **D8/5**

(58) **Field of Classification Search**

USPC D8/1, 4, 5, 51, 52, 53, 54, 55, 56, 58
CPC B26B 13/00; B26B 13/06; B26B 13/12;
B26B 13/14; B26B 13/16; B26B 13/20;
B26B 13/26; B26B 13/28; B26B 17/00;
A01G 3/00; A01G 3/02; A01G 3/021;
A01G 2003/023; A01G 1/06

See application file for complete search history.

(56) **References Cited**

U.S. PATENT DOCUMENTS

2,582,472	A *	1/1952	Arrowsmith	A01G 3/02 30/135
D387,965	S *	12/1997	Ronan	D8/14
D422,463	S *	4/2000	Ronan	D8/5
D424,899	S *	5/2000	Jaime	D8/52
D455,329	S *	4/2002	Renner	D8/5
D483,627	S *	12/2003	Ronan	D7/693
D625,978	S *	10/2010	Zeng	D7/693
D648,197	S *	11/2011	Lin	D8/52
D690,176	S *	9/2013	Ronan	D8/52
D702,521	S *	4/2014	Jang Soo	D7/693
D763,646	S *	8/2016	Katilus	D8/51
D787,287	S *	5/2017	Martinez	D8/52
9,744,679	B2 *	8/2017	Wang	B25G 1/08
2007/0289143	A1 *	12/2007	Crain	B26B 17/02 30/188

OTHER PUBLICATIONS

Zenport ZJ60 Grafting Shears Multi Graft Tool, Image post date unknown, site visited on Oct. 11, 2017 [online], <https://www.amazon.com/Zenport-ZJ60-Grafting-Shears-Multi-Graft/dp/B01MYDKWWK/ref=sr_1_1?s=lawn-garden&ie=UTF8&qid=1507755704&sr=1-1&keywords=The+Zenport+ZJ60+Multi-Graft+Tool>.*
Hand Held Grafting Shears. 1, Image post date unknown, site visited on Oct. 11, 2017 [online], <<http://www.scionon.com/shop/product/87/hand-held-grafting-shears-87>>.*
Hand Held Grafting Shears.2, Image post date unknown, site visited on Oct. 11, 2017 [online], <<http://www.scionon.com/shop/product/466/hand-held-grafting-shears-466>>.*

* cited by examiner

Primary Examiner — Sandra S Snapp
Assistant Examiner — Ieisha N Price
(74) *Attorney, Agent, or Firm* — Thomas Coester
Intellectual Property

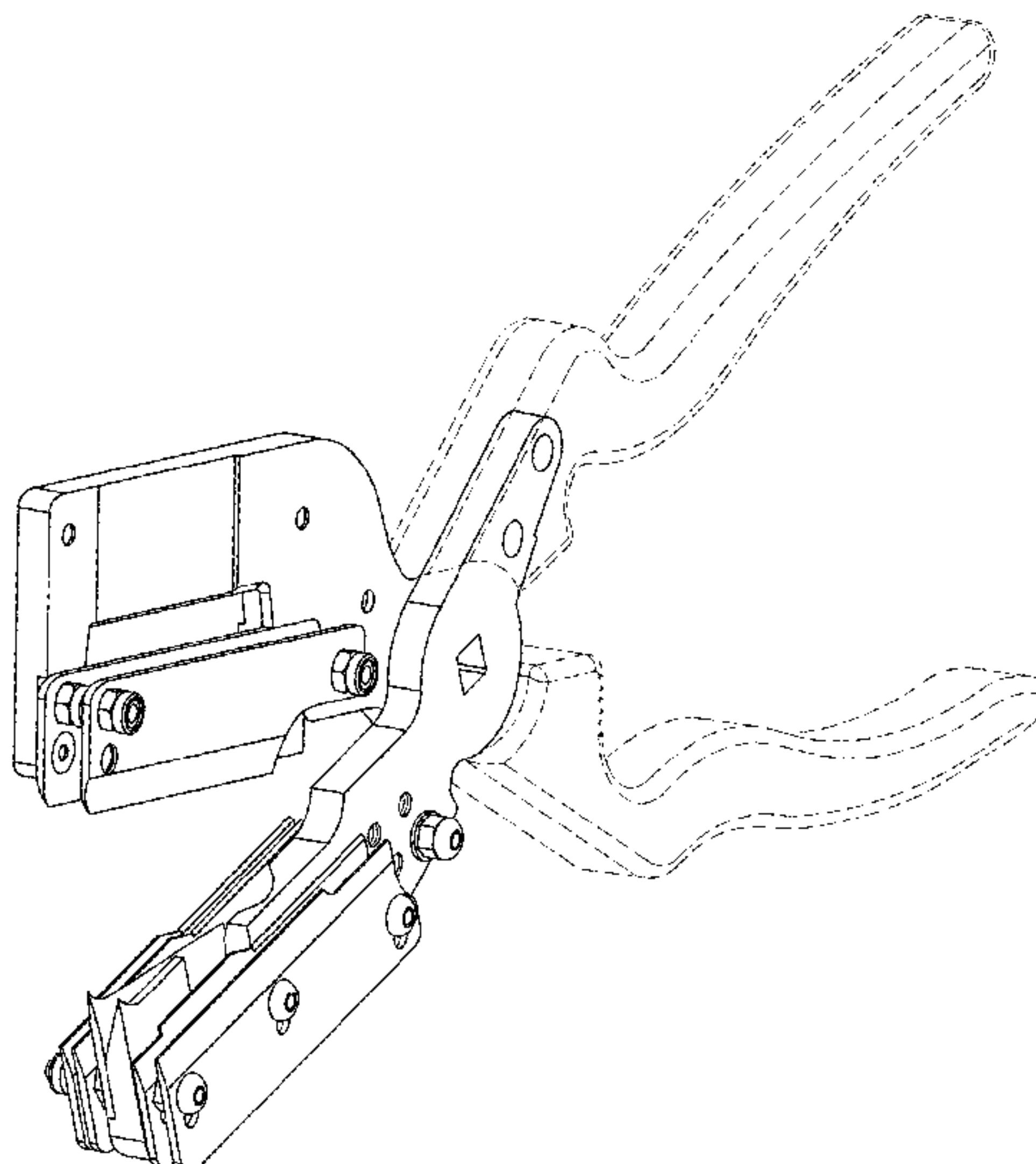
(57) **CLAIM**

The ornamental design for a grafting tool, as shown and described.

DESCRIPTION

FIG. 1 is a front right perspective view of a grafting tool according to one embodiment of the invention.
FIG. 2 is a front left perspective view of jaws of a grafting tool of FIG. 1.
FIG. 3 is a front right perspective view of jaws of a grafting tool of FIG. 1.
FIG. 4 is a front left exploded perspective view of a lower jaw of a grafting tool of FIG. 1.
FIG. 5 is a front right exploded perspective view of a lower jaw of a grafting tool of FIG. 1.
FIG. 6 is a front right bottom exploded perspective view of an upper jaw of a grafting tool of FIG. 1; and,
FIG. 7 is a rear left bottom exploded perspective view of an upper jaw of a grafting tool of FIG. 1.

1 Claim, 7 Drawing Sheets



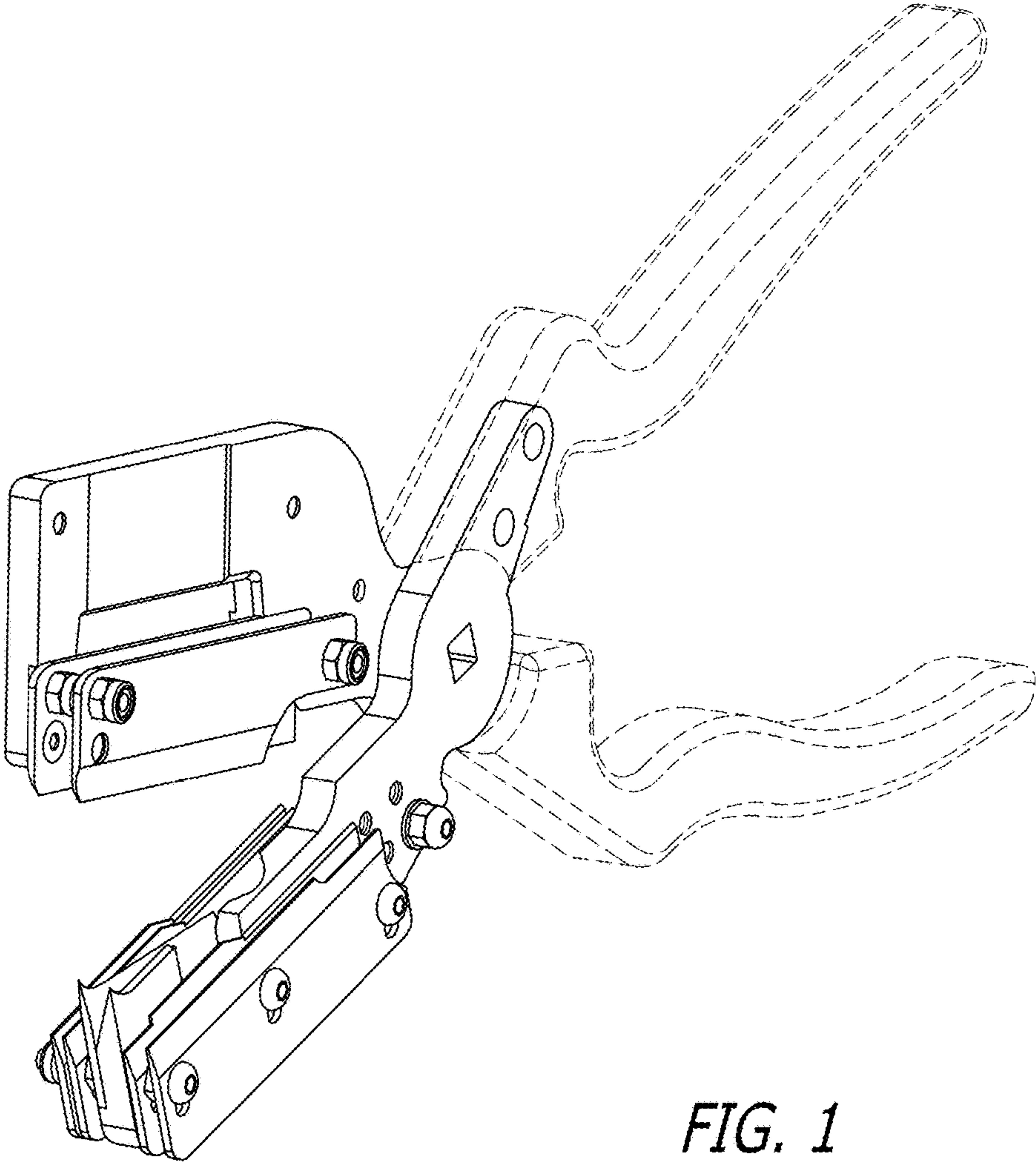


FIG. 1

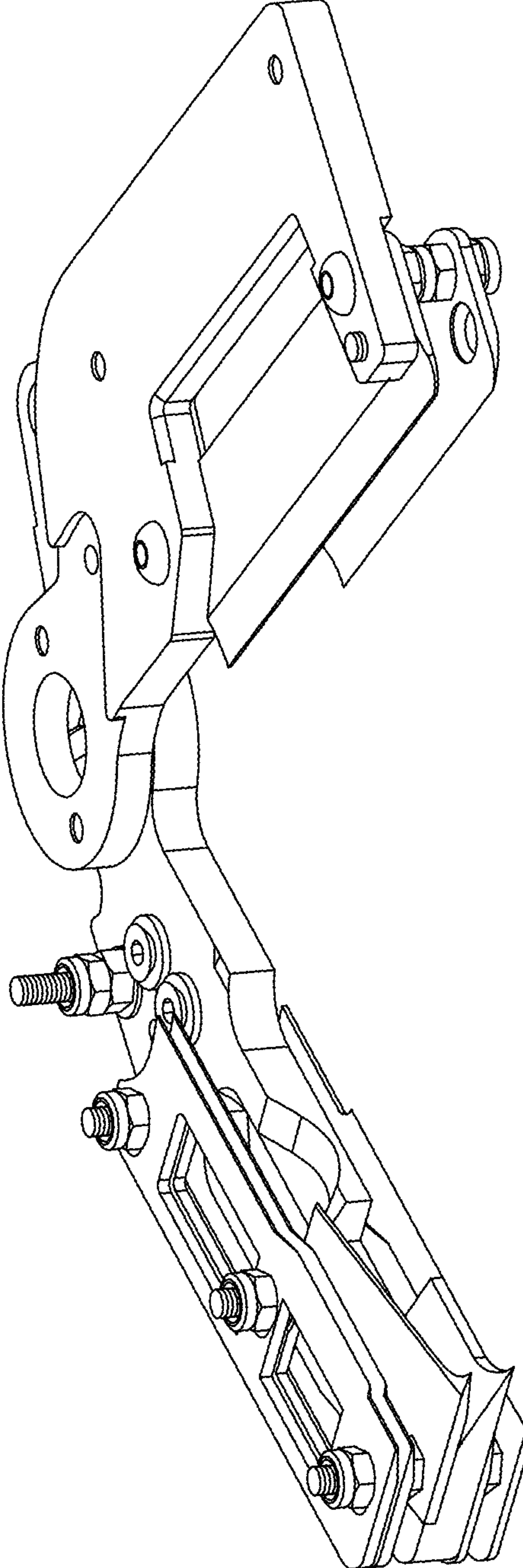


FIG. 2

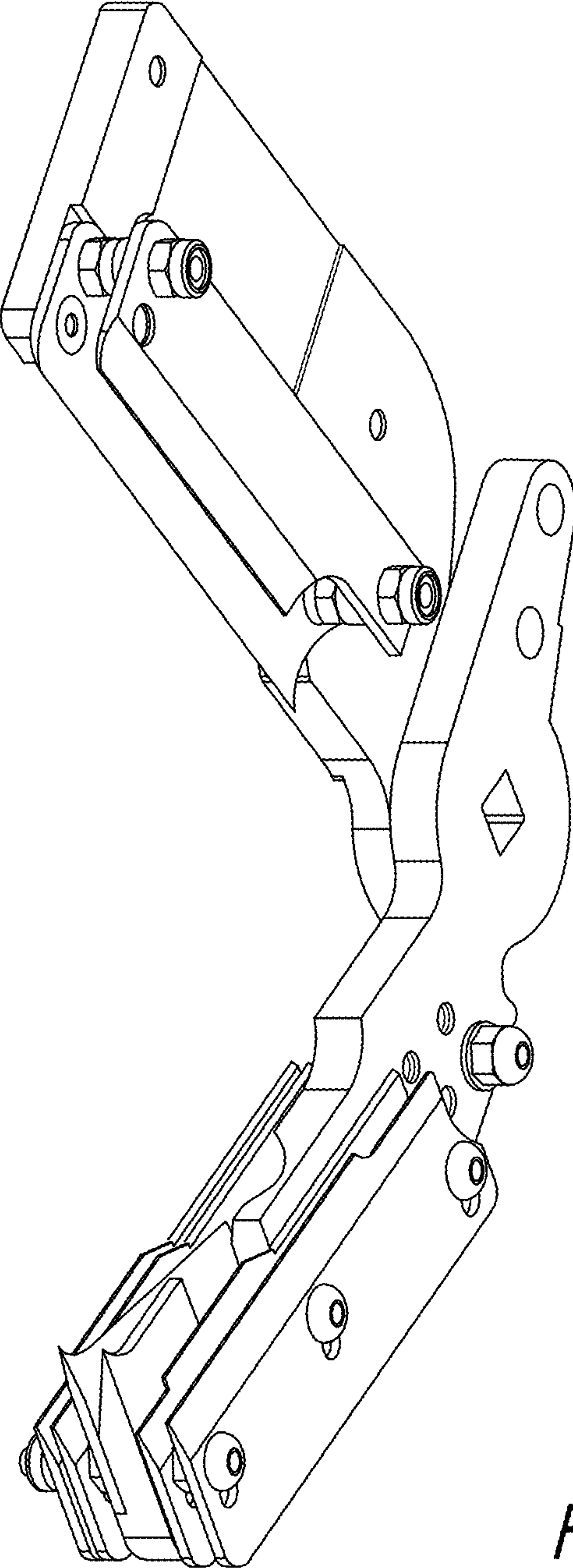


FIG. 3

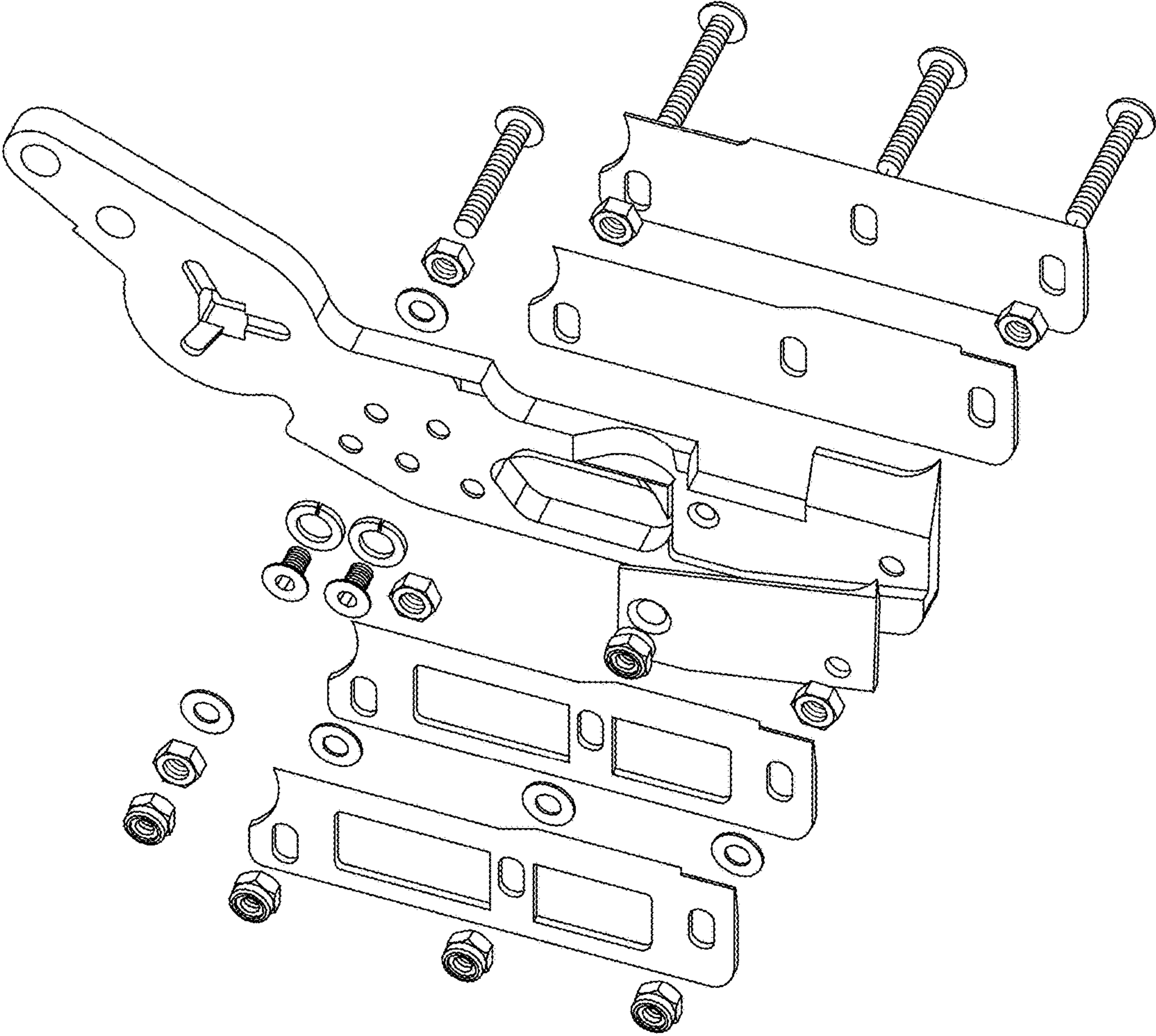


FIG. 4

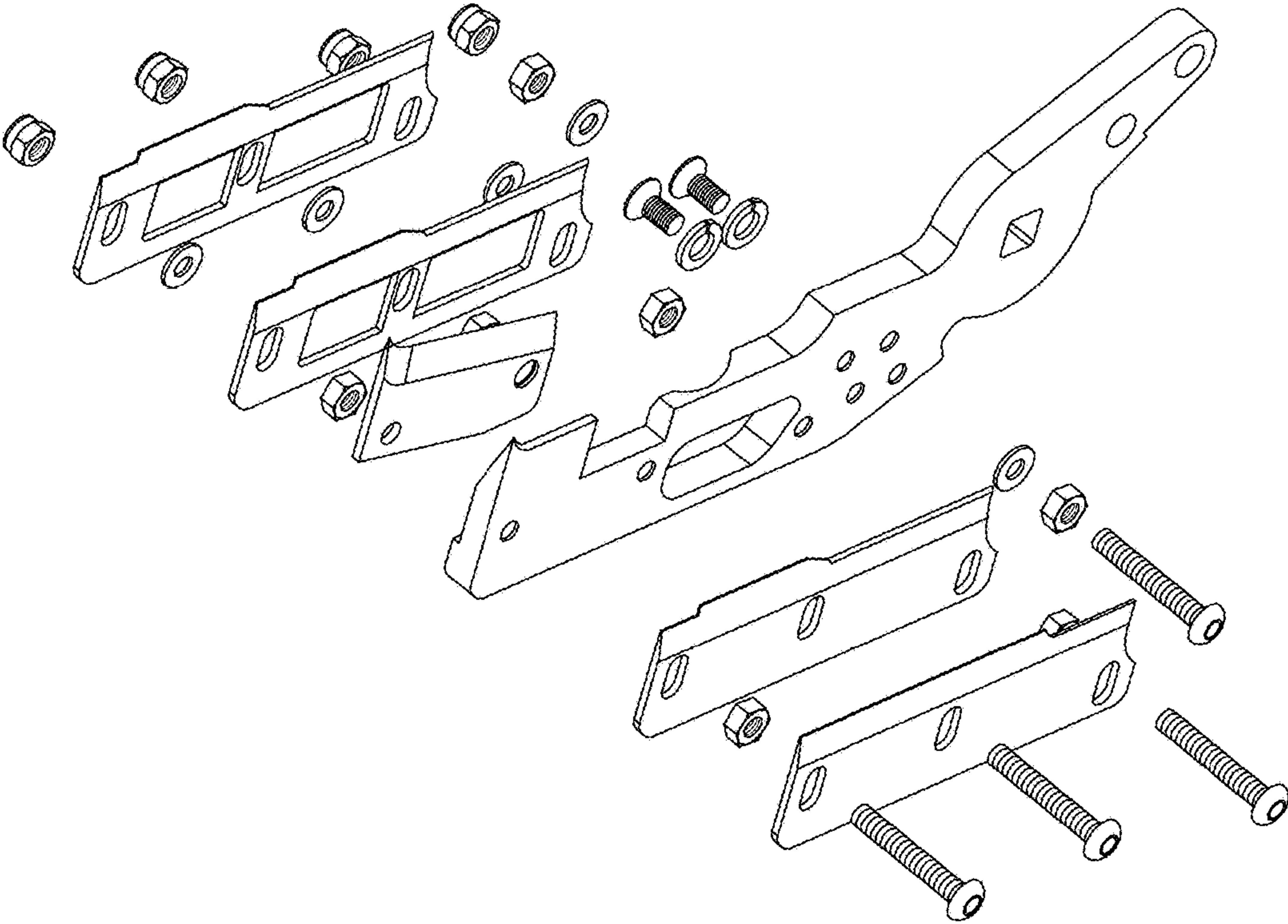


FIG. 5

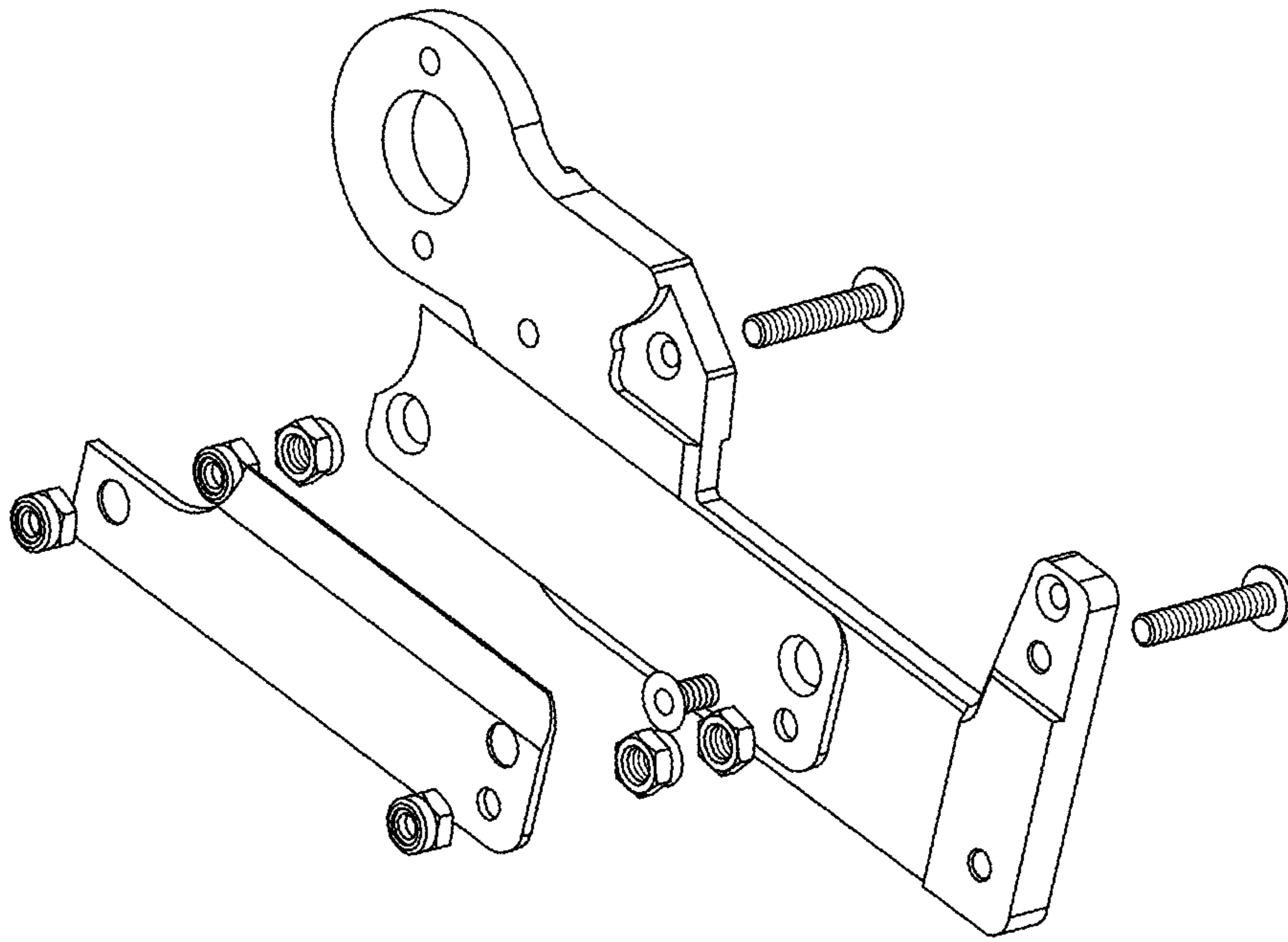


FIG. 6

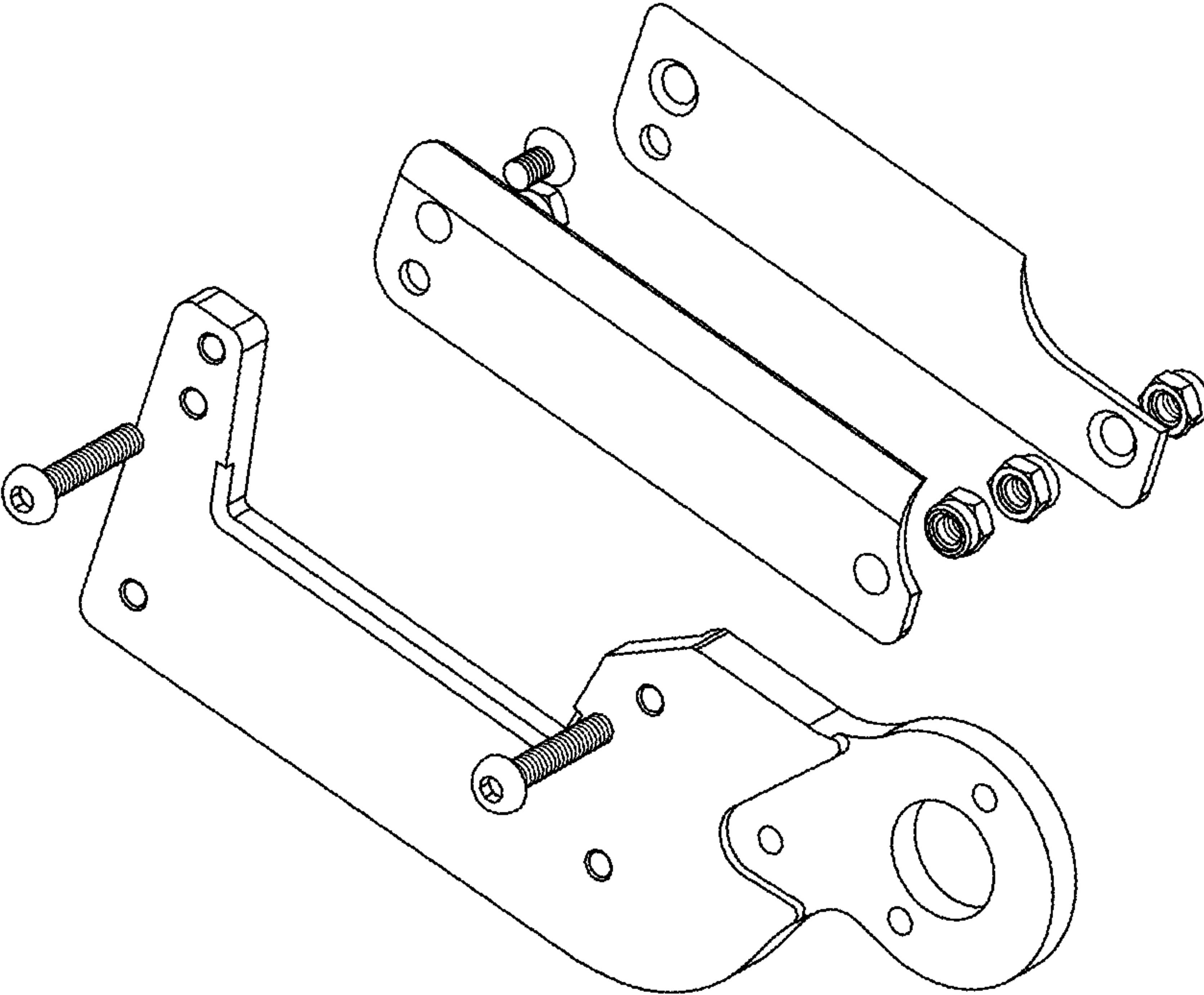


FIG. 7