



US00D821831S

(12) **United States Design Patent**
Kasza

(10) **Patent No.:** **US D821,831 S**
(45) **Date of Patent:** **** Jul. 3, 2018**

(54) **BOTTLE RACK**
(71) Applicant: **STACT Wine Displays Inc.**, Vancouver (CA)
(72) Inventor: **Jamie Dennis Kasza**, Vancouver (CA)
(73) Assignee: **Stact Wine Displays Inc.**, Vancouver, BC (CA)

2,051,408 A * 8/1936 Karst A47F 5/0876
211/106
2,070,507 A 2/1937 Bishop
2,100,421 A 11/1937 Wupper
2,179,089 A 11/1939 Hauf
2,227,326 A 12/1940 Shaw
(Continued)

(**) Term: **14 Years**
(21) Appl. No.: **29/521,526**

FOREIGN PATENT DOCUMENTS
CA 1 012 095 6/1977
CA 2 456 638 2/2004
(Continued)

(22) Filed: **Mar. 24, 2015**
(51) **LOC (11) Cl.** **06-04**
(52) **U.S. Cl.**
USPC **D7/701**
(58) **Field of Classification Search**
USPC D7/701-708, 619.1-625
CPC A47F 5/0823; A47F 5/02; A47F 5/0846;
A47F 5/0815; A47F 7/28; A47F 7/10;
A47F 57/04; A47B 73/00; A47B 73/002;
A47B 73/004; A47B 73/006; A47B
57/42; A47B 57/52; A47B 81/007; D06F
57/04; B01L 9/06; A47J 47/16; A01F
25/12

OTHER PUBLICATIONS
Aronson, Steven M. L. et al., "An Ocean of Art William I. Koch's Stellar Collection in Palm Beach," *Architectural Digest* (Mar. 2002).
(Continued)

Primary Examiner — Terry A Wallace
(74) *Attorney, Agent, or Firm* — LeClairRyan PLLC

See application file for complete search history.

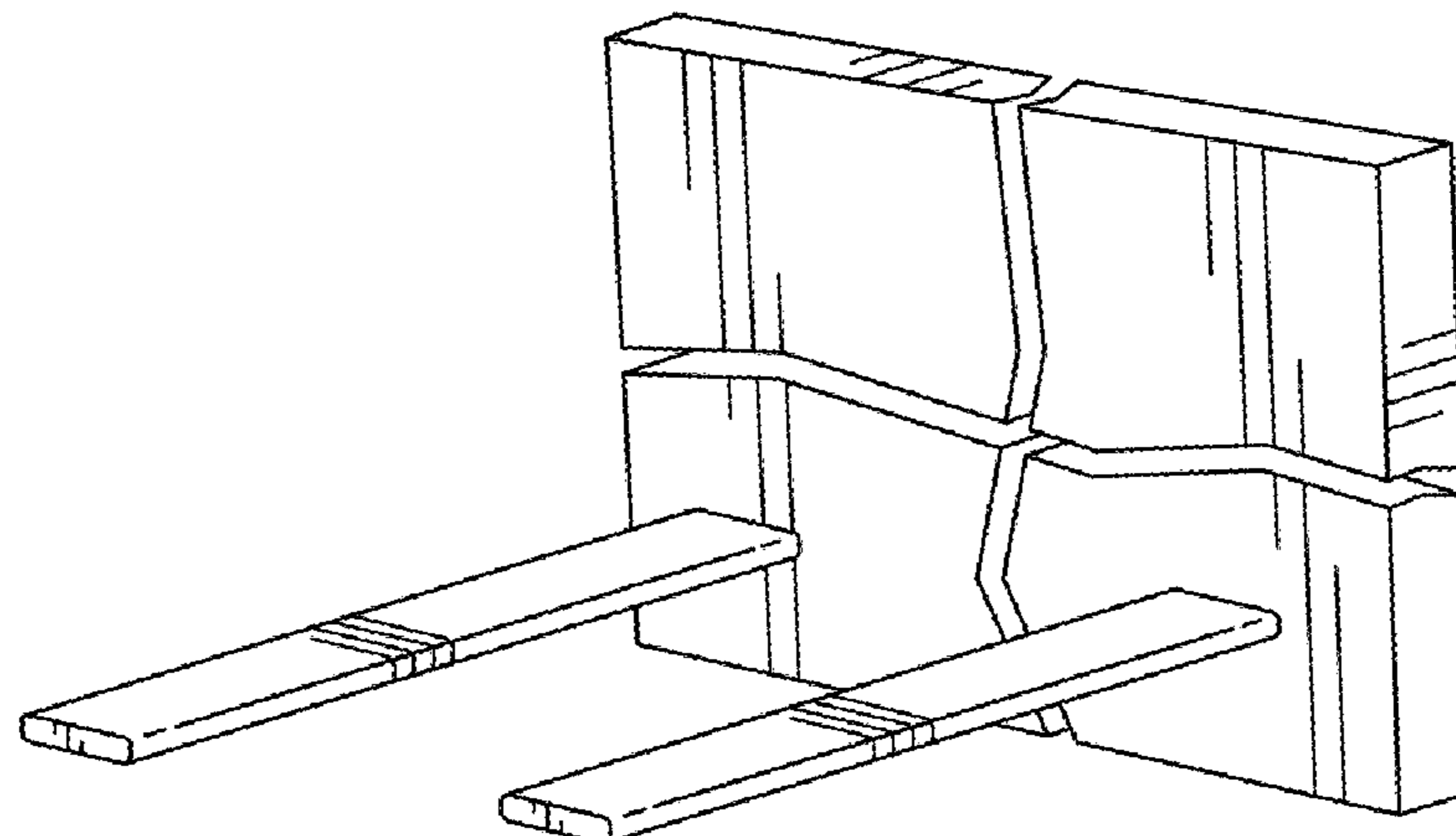
(57) **CLAIM**
The ornamental design for a bottle rack, as shown and described.

(56) **References Cited**
U.S. PATENT DOCUMENTS
49,633 A 8/1865 King
278,200 A 5/1883 Tait
583,727 A 6/1897 Braun
698,272 A 4/1902 Glover
799,783 A 9/1905 Ette
1,480,939 A 1/1924 Hand
1,617,003 A 2/1927 Zeller
1,735,710 A 11/1929 Abrahamsen et al.
1,797,296 A 3/1931 Ray
1,835,726 A 12/1931 Thompson
2,026,746 A 1/1936 Moore

DESCRIPTION

FIG. 1 is a perspective view from the front and right side of the bottle rack showing my new design.
FIG. 2 is a front elevation view of the bottle rack of FIG. 1;
FIG. 3 is a top plan view of the bottle rack of FIG. 1;
FIG. 4 is a bottom plan view of the bottle rack of FIG. 1;
FIG. 5 is a left side elevation view of the bottle rack of FIG. 1; and,
FIG. 6 is a right side elevation view of the bottle rack of FIG. 1.
The dashed lines in FIGS. 3 to 6 represent portions of the bottle rack that do not form part of the claimed design.

1 Claim, 3 Drawing Sheets



(56)

References Cited

U.S. PATENT DOCUMENTS

2,317,070 A	4/1943	La Tourneau	5,169,009 A	12/1992	Bomze
2,366,676 A	1/1945	Rosenthal	D333,559 S	3/1993	Rowley
2,527,796 A	10/1950	Clute	5,190,393 A	3/1993	Svensson
2,531,020 A	11/1950	Bard	5,210,898 A	5/1993	Carey
2,562,327 A	7/1951	Moore	5,215,413 A	6/1993	Nance
2,575,965 A	11/1951	Malm	5,242,239 A	9/1993	Hosokawa
2,774,477 A	12/1956	Pollitz	5,279,232 A	1/1994	Gollick
2,815,972 A	12/1957	Lagervall	5,306,093 A	4/1994	Elbert
2,879,900 A	3/1959	Fox	D348,182 S	6/1994	Young
2,889,050 A	6/1959	Modrey	D348,806 S	7/1994	Young
D190,704 S	6/1961	Cobbs	5,326,206 A	7/1994	Moore
3,181,701 A	5/1965	Cole	D367,592 S	3/1996	Newport
3,186,558 A	6/1965	Horstmann	5,499,724 A	3/1996	Hickman
3,200,960 A	8/1965	Banse	5,503,276 A *	4/1996	Pierce A47F 5/0807 211/59.1
3,204,867 A	9/1965	Wahlbom	D383,607 S	9/1997	Whitlock
3,244,390 A	4/1966	Kerr	5,678,794 A	10/1997	Kump
3,255,987 A	6/1966	Gatch	5,711,436 A	1/1998	Moeller et al.
3,272,468 A	9/1966	Wittrock	5,727,698 A	3/1998	Lai
3,279,620 A	10/1966	Nesbitt	5,785,187 A	7/1998	Lipman et al.
3,336,758 A	8/1967	Williams	D396,800 S	8/1998	Robert
3,377,807 A	4/1968	Vincent	5,813,550 A *	9/1998	Sheehan A47F 5/0807 211/87.01
3,422,721 A	1/1969	Yonkers	5,855,347 A	1/1999	Hollingsworth et al.
3,469,869 A	9/1969	Ramakers	D406,217 S	3/1999	Campbell
3,519,292 A	7/1970	Krikorian	5,906,466 A	5/1999	Eandi
3,541,798 A	11/1970	Schnabel, Jr.	5,918,750 A	7/1999	Jackson
3,606,023 A	9/1971	Edmunds	5,944,203 A	8/1999	Vlah et al.
3,638,814 A	2/1972	Lowery	6,116,435 A	9/2000	Young
3,653,697 A	4/1972	Ernst	6,119,875 A	9/2000	Smith
D226,051 S	1/1973	Fujinami	6,126,022 A	10/2000	Merkel
3,740,692 A	6/1973	Filhaber	6,161,707 A	12/2000	Lin
3,747,965 A	7/1973	Wing	6,173,845 B1	1/2001	Higgins et al.
3,753,354 A	8/1973	Bauer	6,199,705 B1	3/2001	Portner et al.
3,799,357 A	3/1974	Govang	6,355,038 B1	3/2002	Pisharodi
D232,284 S	8/1974	Shuck	6,361,129 B1	3/2002	Borgen
3,836,007 A	9/1974	Rosenwein	D460,295 S *	7/2002	Fissell D32/58
D236,565 S	9/1975	Fuller	D460,902 S	7/2002	Battle
3,924,750 A	12/1975	Dunchock	6,443,316 B1	9/2002	Mao
3,938,667 A	2/1976	Buckland	6,464,691 B1	10/2002	Castaneda
D243,804 S	3/1977	Underwood et al.	6,502,711 B1	1/2003	McRae
4,019,638 A	4/1977	Miller	6,561,474 B1	5/2003	Walter et al.
4,022,327 A	5/1977	Anderson	6,575,312 B2	6/2003	Santa Cruz et al.
4,063,836 A	12/1977	Militano	6,589,277 B1	7/2003	Fabiani
4,082,389 A	4/1978	Stewart	6,644,483 B1	11/2003	Lai
4,094,415 A	6/1978	Larson	6,675,978 B2	1/2004	Shea
4,193,586 A	3/1980	Guenther	6,695,154 B2	2/2004	Jacobs
D255,405 S	6/1980	DeVillers	6,711,871 B2	3/2004	Beirise et al.
4,264,230 A	4/1981	Vanderminde	6,729,481 B1	5/2004	O'Brien
D260,463 S	9/1981	Imus	6,763,956 B2	7/2004	Woods
D262,334 S	12/1981	Clark, Jr. et al.	6,786,337 B2	9/2004	Klein
4,319,730 A	3/1982	Thalenfeld	D497,526 S	10/2004	Sanders et al.
4,340,317 A	7/1982	Heitmann et al.	6,808,147 B2	10/2004	Brannen et al.
4,358,214 A	11/1982	Shull	D509,108 S	9/2005	Rosenberg et al.
4,386,870 A	6/1983	Baroody	6,991,117 B2	1/2006	McCain
4,420,087 A	12/1983	Johns	7,040,835 B2	5/2006	Sun
4,431,332 A	2/1984	Dieges	7,198,159 B2	4/2007	Fischer
4,482,065 A	11/1984	Altemose	D543,078 S	5/2007	Davalos
4,485,929 A	12/1984	Betts, Sr.	7,284,671 B1	10/2007	Doscher
4,514,107 A	4/1985	Moreno	7,284,734 B2	10/2007	Hamerski
D284,720 S	7/1986	Watson	D566,490 S	4/2008	Frentzel
4,601,621 A	7/1986	Permoda	7,377,397 B2	5/2008	Lee et al.
D289,716 S	5/1987	Boland	7,392,912 B2	7/2008	Zandt
4,695,183 A	9/1987	Greenberg	7,448,820 B1	11/2008	Faber
4,711,594 A	12/1987	Agee	7,517,425 B2	4/2009	Schroeder et al.
D295,128 S	4/1988	Gentile	7,673,761 B2	3/2010	Lee et al.
4,805,783 A	2/1989	Mayer	7,806,268 B2	10/2010	Angelocci
4,836,574 A	6/1989	Ingalls	7,850,017 B2	12/2010	McCain
4,944,415 A	7/1990	Orbach	7,861,986 B2	1/2011	Cline
4,981,388 A	1/1991	Becken et al.	7,878,340 B1	2/2011	Olsen
4,993,865 A	2/1991	Nagashima	7,882,967 B2	2/2011	Hynes
5,025,936 A	6/1991	Lamoureaux	D634,992 S	3/2011	McNamee
5,037,390 A	8/1991	Raines	D655,986 S	3/2012	Schneider
5,067,846 A	11/1991	Staniszewski	8,231,015 B2	7/2012	McCain
5,094,564 A	3/1992	Tedrick	8,272,506 B1	9/2012	Flannery
5,116,007 A	5/1992	Von Gunton et al.	8,336,862 B2	12/2012	Priefert
5,163,567 A	11/1992	Betts, Sr.	D678,011 S	3/2013	Wylie et al.
			8,573,548 B2	11/2013	Kuhn et al.
			8,607,994 B1	12/2013	Schneider

(56)

References Cited

U.S. PATENT DOCUMENTS

8,668,049 B2 3/2014 Leng
 8,684,194 B2 4/2014 McCain
 8,740,534 B2 6/2014 Shawe
 D708,494 S * 7/2014 Carpenter D7/701
 8,807,896 B2 8/2014 McKinlay
 D714,591 S 10/2014 Chen
 D714,592 S 10/2014 Chen
 D715,103 S 10/2014 Chen
 D715,104 S 10/2014 Chen
 D715,105 S 10/2014 Chen
 D731,866 S 6/2015 Paulick
 D735,540 S 8/2015 Carpenter
 D739,189 S * 9/2015 Carpenter D7/701
 D739,190 S * 9/2015 Kasza D7/701
 9,149,115 B2 10/2015 Kasza et al.
 D747,155 S 1/2016 Goodman
 D751,371 S 3/2016 Pan
 D751,871 S 3/2016 Polley et al.
 9,289,062 B1 3/2016 Posa
 D756,723 S 5/2016 Cash
 9,364,085 B2 6/2016 McCain
 D766,051 S 9/2016 LaRiviere
 D766,052 S 9/2016 Guindi
 D776,956 S 1/2017 Ma
 9,565,933 B2 2/2017 Kasza
 D785,418 S 5/2017 Carpenter
 D789,164 S 6/2017 Peterson
 2001/0013567 A1 8/2001 Valiulis
 2003/0057336 A1 3/2003 Hochman
 2004/0069730 A1 * 4/2004 Woods A47B 73/00
 211/74
 2004/0104187 A1 6/2004 McCain
 2004/0144740 A1 7/2004 Przygoda
 2005/0072746 A1 4/2005 O'Brien
 2006/0275098 A1 12/2006 Kramer
 2007/0039907 A1 2/2007 Zandt
 2007/0068887 A1 3/2007 Nawrocki
 2007/0094985 A1 5/2007 Grafenauer
 2007/0158284 A1 * 7/2007 Felder A47B 73/004
 211/74
 2008/0000861 A1 1/2008 Muellerleile
 2008/0054142 A1 3/2008 Deland
 2009/0071920 A1 * 3/2009 Bassetti A47B 73/00
 211/74
 2009/0152219 A1 6/2009 Brida
 2009/0152221 A1 6/2009 Hynes
 2009/0286611 A1 11/2009 Beach et al.
 2010/0006523 A1 1/2010 Hogeback
 2010/0051769 A1 3/2010 Tyson
 2011/0132853 A1 * 6/2011 Drobot A47B 57/562
 211/42
 2011/0309220 A1 * 12/2011 Collini A47B 73/00
 248/311.2
 2012/0082528 A1 4/2012 Wang
 2012/0085721 A1 * 4/2012 Michael J. A47B 57/562
 211/103
 2013/0334155 A1 * 12/2013 Kasza A47B 73/00
 211/75
 2015/0060380 A1 3/2015 Maurer
 2016/0029790 A1 * 2/2016 Carpenter A47F 5/0815
 211/75
 2016/0331131 A1 11/2016 Ghaeni
 2017/0105522 A1 4/2017 Kasza et al.

FOREIGN PATENT DOCUMENTS

CA 2 677 021 2/2010
 CA 2 743 948 5/2010
 CN 303752353 7/2016
 DE 3015594 A1 12/1981
 DE 20309209 U1 8/2003
 EP 1 389 437 2/2004
 FR 065229-0001 1/2007
 GB 1 202 519 8/1970

GB 2 189 387 A 10/1987
 GB 2 242 352 A 10/1991
 NL 1021103 C1 1/2004
 WO 2014/032158 A1 3/2014

OTHER PUBLICATIONS

Sothebys.com, "First Look: Wies from the Cellar of William I. Koch," Video Screenshot at 0:37, <http://www.sothebys.com/content/sothebys/en/news-video/videos/2016/03/wines-from-the-cellar-of-william-i-koch.html>.
 Youtube.com, "The Wine Cellar of William I. Koch: The Collector," Video Screenshot at 0:24 and 0:48, <https://www.youtube.com/watch?v=GX88VKyJ7h0>.
 Isaac, Ryan "Oil, Water and Wine Bill Koch mixes it up, for profit and pleasure," *Wine Spectator* (Nov. 2006).
 Worldmarket.com, Product Description, 30-Bottle Verona Wine Rack, <http://www.worldmarket.com/product/30-bottle+verona+wine+rack.do?&from=fn> (earliest date online Jul. 27, 2015; accessed Feb. 28, 2017).
 Dullred.com, "Nice Rectangle Shape Kitchen Wine Racks Come With Brown Wooden Modular Shape Wine Rack and Brown Wooden Wire Glass Cabinet and Double Door Cabinet," <http://www.dullred.com/wonderful-design-ideas-of-kitchen-wine-racks/nice-rectangle-shape-kitchen-wine-racks-brown-wooden-modular-shape-winde-rack-brown-wooden-winde-glass-cabinet-double-door-cabinet/> (earliest date online Nov. 14, 2015; accessed Feb. 28, 2017).
 Core77.com, "Designing for Wine Storage," <http://www.core77.com/posts/26960/Designing-for-Wine-Storage> (earliest date online May 29, 2014; accessed Feb. 28, 2017).
 Vigilantinc.com, "Vintage View Metal Wine Racks," <https://vigilantinc.com/wine-racks/metal-wine-racks.php> (earliest date online 2015; accessed Feb. 28, 2017).
 Amazon.fr, Product Description, Blomus Pilare /68486 Casier a vin Pour 12 Bouteilles [Blomus Pilare /68486 Wine Rack for 12 Bottles], http://www.amazon.fr/blomus-pilare-68486-Casier-bouteilles/dp/B000BKBJWC/ref=sr_1_1?ie=UTF8&qid=1421968472&sr=8-1&keywords=Blomus+Pilare, date first available at Amazon.fr Aug. 8, 2007 (accessed Jan. 22, 2015).
 Hayneedle.com, Product Description, Blomus Pilare Wine Rack—Choose 9 or 12 Bottle Rack, review 1 dated Nov. 9, 2006, <http://www.hayneedle.com/product/pilarewinerack.cfm> (accessed Jan. 10, 2015).
 Amazon.com, Product Description, Blomus Wine Bottle Storage, Holds 12 Bottles, review by Brian Go dated Aug. 2, 2011, <http://www.amazon.com/Blomus-Bottle-Storage-Holds-Bottles/dp/B000BKBJWC> (accessed Jan. 10, 2015).
 Walmart.com, Product Description, Blomus Pilare Wine Rack—Choose 9 or 12 Bottle Rack, review by Carol-Simplify dated Mar. 26, 2008, <http://www.walmart.com/ip/blomus-Pilare-Wine-Rack-Choose-9-or-12-Bottle-Rack/17361365>, (accessed Jan. 10, 2015).
 Amazon.de, Product Description, Blomus 68486 Pilare Weinregal, für 12 Flaschen [Blomus 68486 Pilare Wine Rack for 12 Bottles], <http://www.amazon.de/Blomus-68486-PILARE-Weinregal-Flaschen/dp/B000BKBJWC>, date first available at Amazon.de Sep. 22, 2005 (accessed Jan. 22, 2015).
 Stact.com, "Turn Your Wine Into Art," <http://www.getstact.com/> (archived Jul. 29, 2012).
 Rosendahl, Spec Sheet, Wine Rack, https://web.archive.org/web/20050304022515/http://www.unicahome.com/products/pdf/9223/rosendahl_wine_rack.pdf (Feb. 8, 2005).
 International Search Report for PCT/CA2013/000259, published as WO 2014/032158 (Dec. 23, 2013).
 Vin De Garde Cellar Systems, Modern Wine Cellars Catalog 2011 (2011).
 Genuwine Cellars, Label Link (retrieved from <http://www.genuwinecellars.com/metal-series/label-link/> on Jan. 25, 2013).
 Genuwine Cellars, PEG System (retrieved from <http://www.genuwinecellars.com/metal-series/peg-system/> on Jan. 25, 2013).
 Genuwine Cellars, Metal Series (retrieved from <http://www.genuwinecellars.com/metal-series/> on Feb. 21, 2013).

(56)

References Cited

OTHER PUBLICATIONS

HOUZZ Inc., Bachus Bottle Rack—modern—wine racks—by Made in Design, 2013 (retrieved from <http://www.houzz.com/photos/151858/Bachus-Bottle-Rack-modern-wine-racks-> on Jul. 18, 2013).

HOUZZ Inc., Live-Edge Solid Walnut 6-Bottle Wine Rack—eclectic—wine racks—by Etsy, 2013 (retrieved from <http://www.houzz.com/photos/2739502/Live-Edge-Solid-Walnut-6-Bottle-Wine-Rack-eclectic-wine-racks-> on Jul. 18, 2013).

HOUZZ Inc., Wood & Metal Industrial Wine Rack—contemporary—wine racks—by World Market, 2013 (retrieved from <http://www.houzz.com/photos/1548374/Wood-Metal-Industrial-Wine-Rack-contemporary-wine-racks-> on Jul. 18, 2013).

Stact Wine Displays Inc., Stact revolutionary wine rack, 2013 (retrieved from <http://www.getstact.com/collections/wine-rack-revolutionized> on Jul. 18, 2013).

Kickstarter.com, “Stact Modular Wine Wall: Wine Storage Beautified,” launched Jul. 26, 2012, <http://www.kickstarter.com/projects/stact/stact-modular-wine-wall-wine-storage-beautified> (archived Jul. 28, 2012).

Marketwired.com, “Wine Storage Beautified: Canada’s Stact Modular Wine Wall System Launches Globally through Kickstarter,” <http://www.marketwired.com/press-release/wine-storage-beautified-canadas-stact-modular-wine-wall-system-launches-globally-through-1684078.htm> (Jul. 26, 2012).

Gillian Shaw, “Vancouver Wine Connoisseur Launches Successful Kickstarter Project to Fund the Perfect Wine Rack,” Vancouver Sun, Digital Life, <http://blogs.vancouver.sun.com/2012/07/28/vancouver-wine-connoisseur-launches-successful-kickstarter-project-to-fund-the-perfect-wine-rack/> (Jul. 28, 2012).

Kim Hart Macneill, “A New Way to Kickstart a Business,” Profitguide.com, <http://www.profitguide.com/startup/best-practices/mass-appeals-40210> (Sep. 5, 2012).

Uncrate.com, “Stact Modular Wine Wall,” <http://uncrate.com/stuff/stact-modular-wine-wall/> (archived Jul. 30, 2012).

billwang.net, Design Online, [Billwang Industrial Design Forum > Industrial Design Zone > Design Resources > Design Resources Digest > Nordic windows, some household items map , p. 25 Update (Jul. 5)], Posted on Dec. 11, 2006 , 17:04, <http://bbs.billwang.net/post5298125-187/> (accessed Jan. 22, 2015).

Extended European Search Report for European Patent Application No. 13172148.2 dated Aug. 19, 2013.

Vin De Garde, “Beta Bloc—Single Bottle,” 3D Warehouse SketchUp, <http://sketchup.google.com/3dwarehouse/details?mid=950db41b6d3bd0edc72a6080af74e2bc>, 1 page (Nov. 30, 2012).

Billy Carpenter, Twitter Post, <https://twitter.com/moderncellars/status/252140684579061760>, 1 page (Sep. 29, 2012).

Billy Carpenter, Twitter Post, <https://twitter.com/moderncellars/status/254266152501526529>, 1 page (Oct. 5, 2012).

Vin De Garde, 2013 Catalog, “Vin De Garde 2013, Modern Wine Cellars,” pp. 1-29 (2013).

Indiamart.com, “Wall Mount Bottle Rack,” <https://www.indiamart.com/proddetail/wall-mount-wine-bottle-rack-14778959562.html> (retrieved by USPTO on Nov. 28, 2017).

Getstact.com, “Wine Rack Lookbook,” <https://getstact.com/pages/wine-rack-lookbook> (retrieved by USPTO on Nov. 28, 2017).

Dustymars.net, “Cantilever-Staircase,” <http://www.dustymars.net/cantilever-staircase> (retrieved by USPTO on Nov. 28, 2017).

Design U.S. Appl. No. 29/589,781, filed Jan. 4, 2017.

Design U.S. Appl. No. 29/609,604, filed Jul. 3, 2017.

U.S. Appl. No. 15/409,263, filed Jan. 18, 2017.

Design U.S. Appl. No. 29/625,830, filed Nov. 13, 2017.

U.S. Appl. No. 15/883,852, filed Jan. 30, 2018.

U.S. Appl. No. 29/637,470, filed Feb. 19, 2018, First Named Inventor: Jamie Dennis Kasza.

* cited by examiner

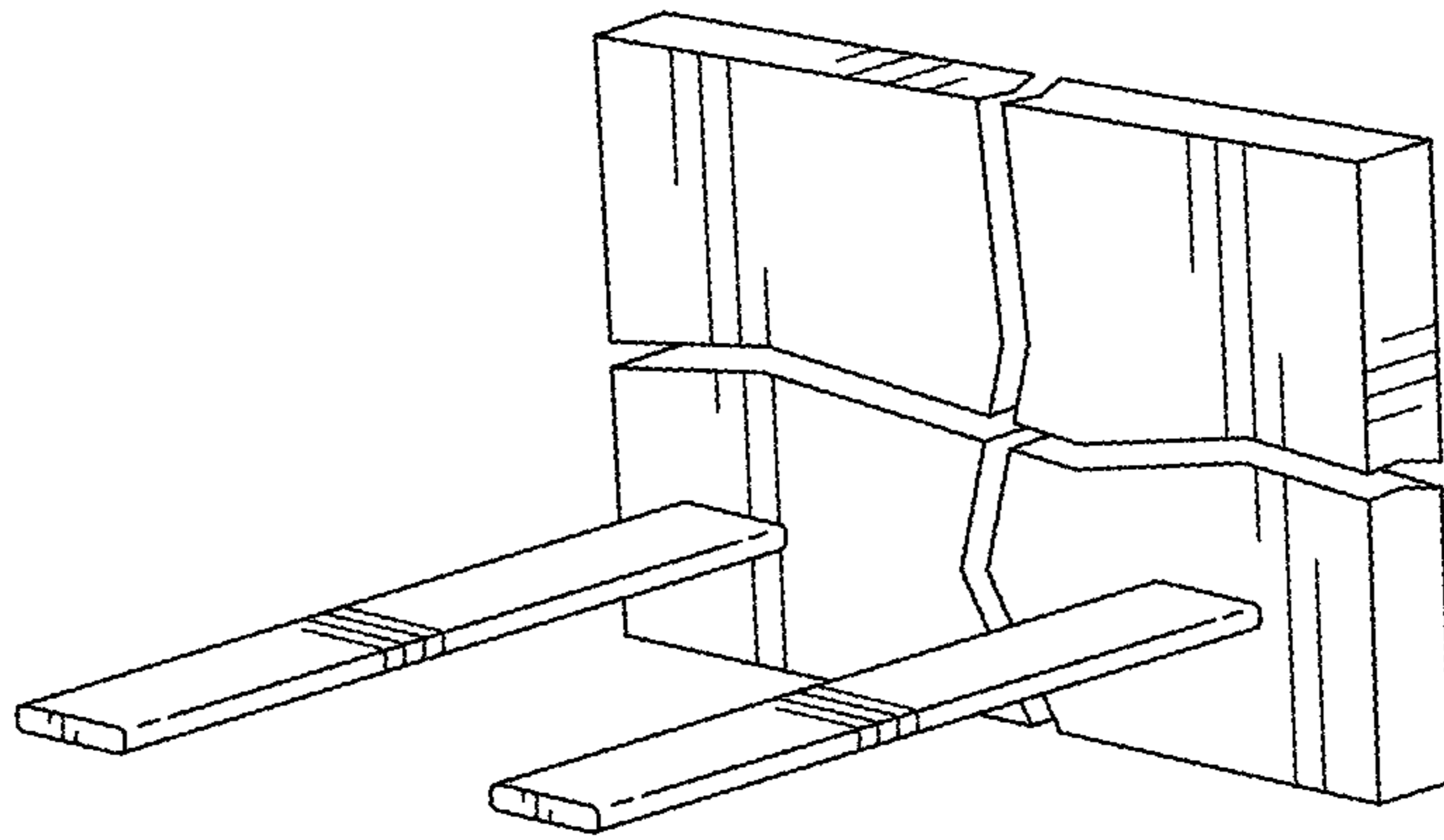


FIG. 1

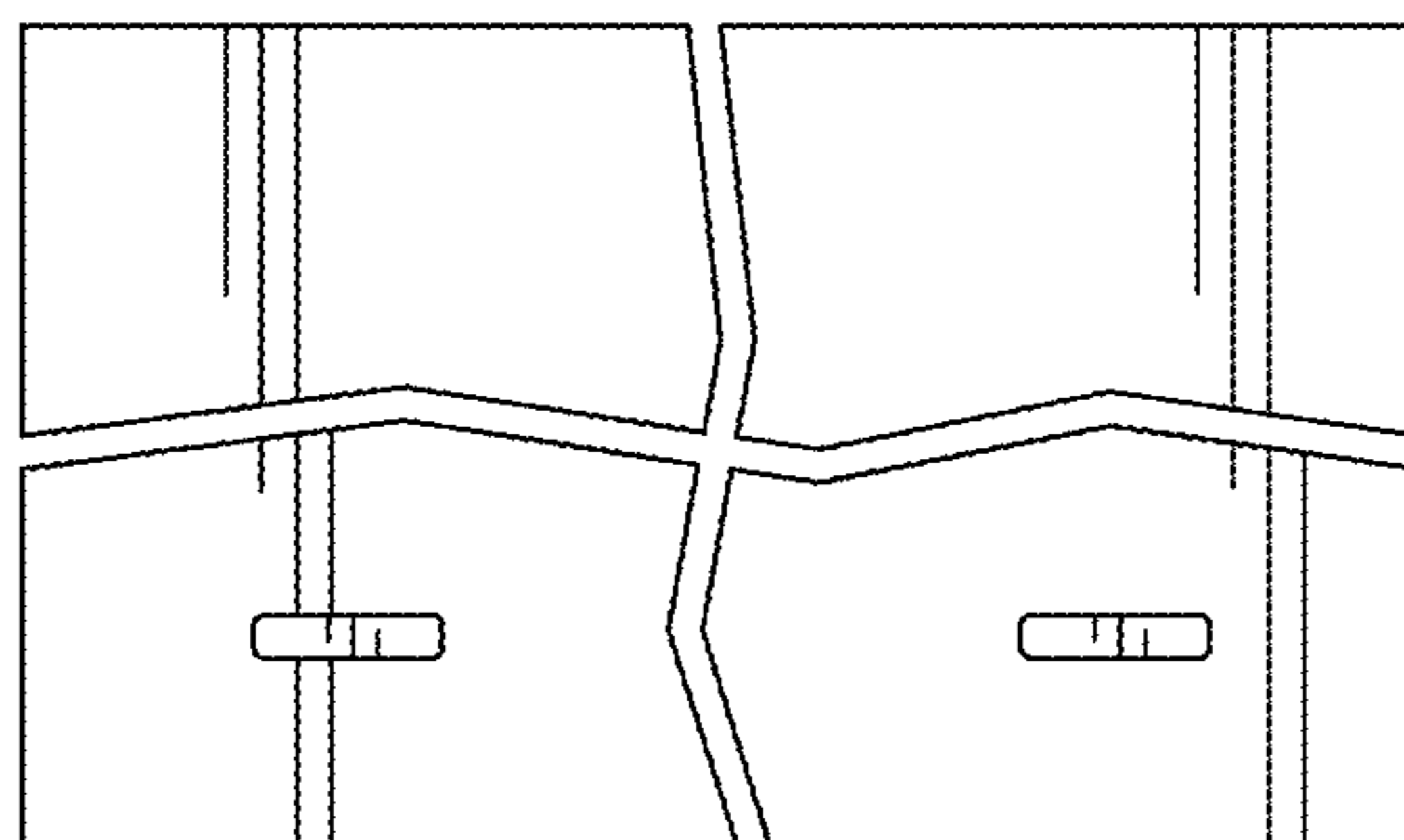


FIG. 2

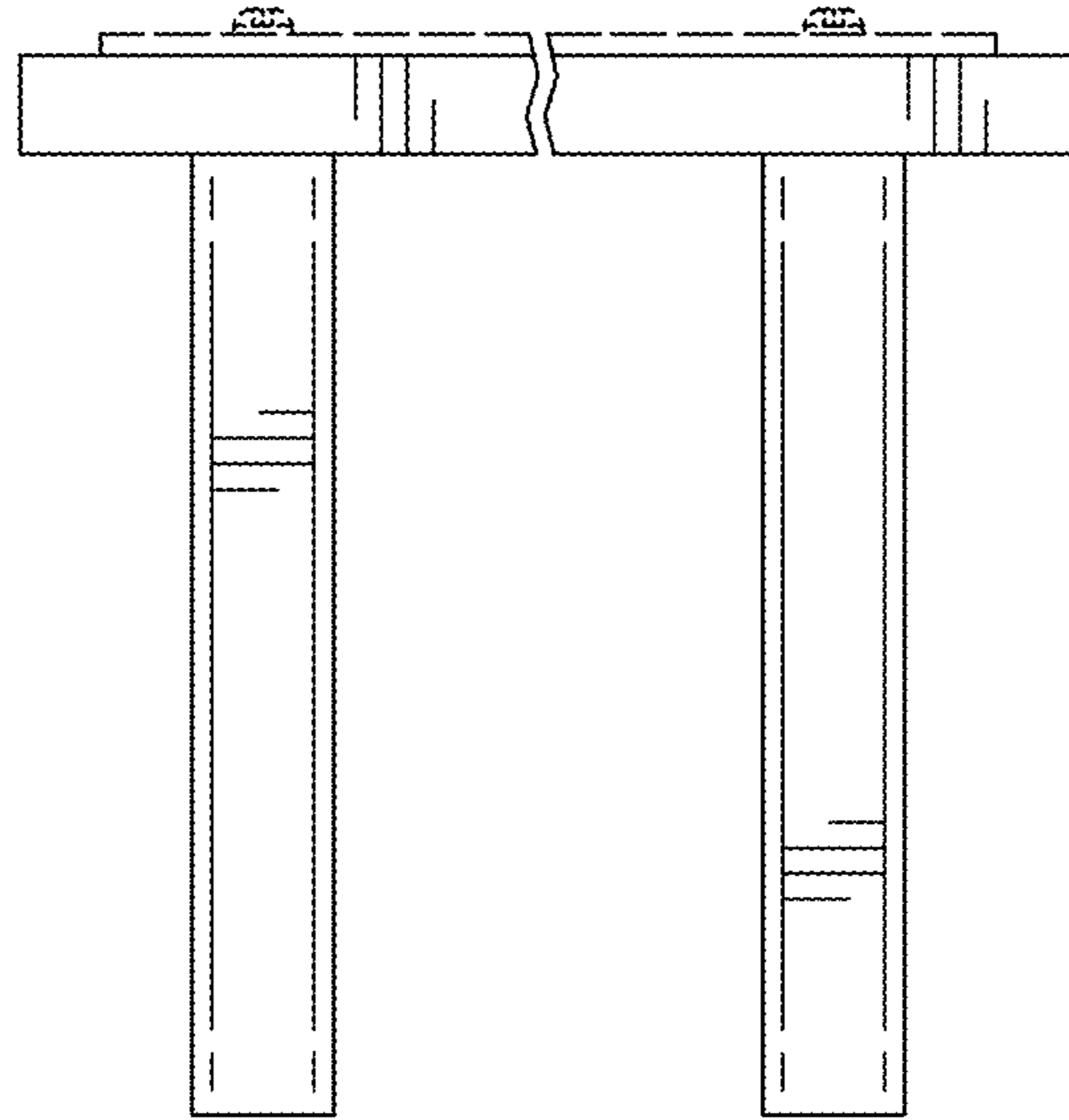


FIG. 3

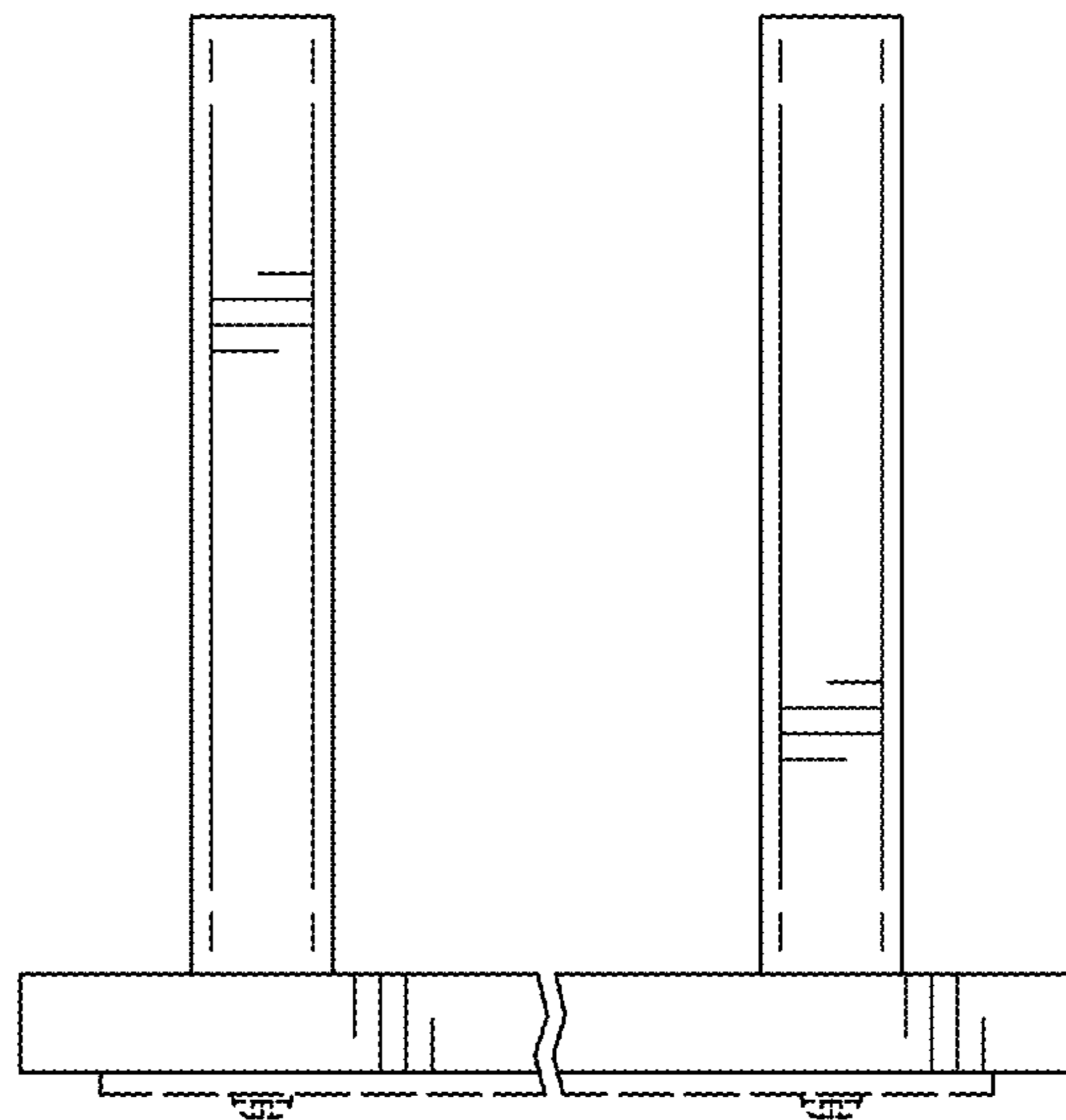


FIG. 4

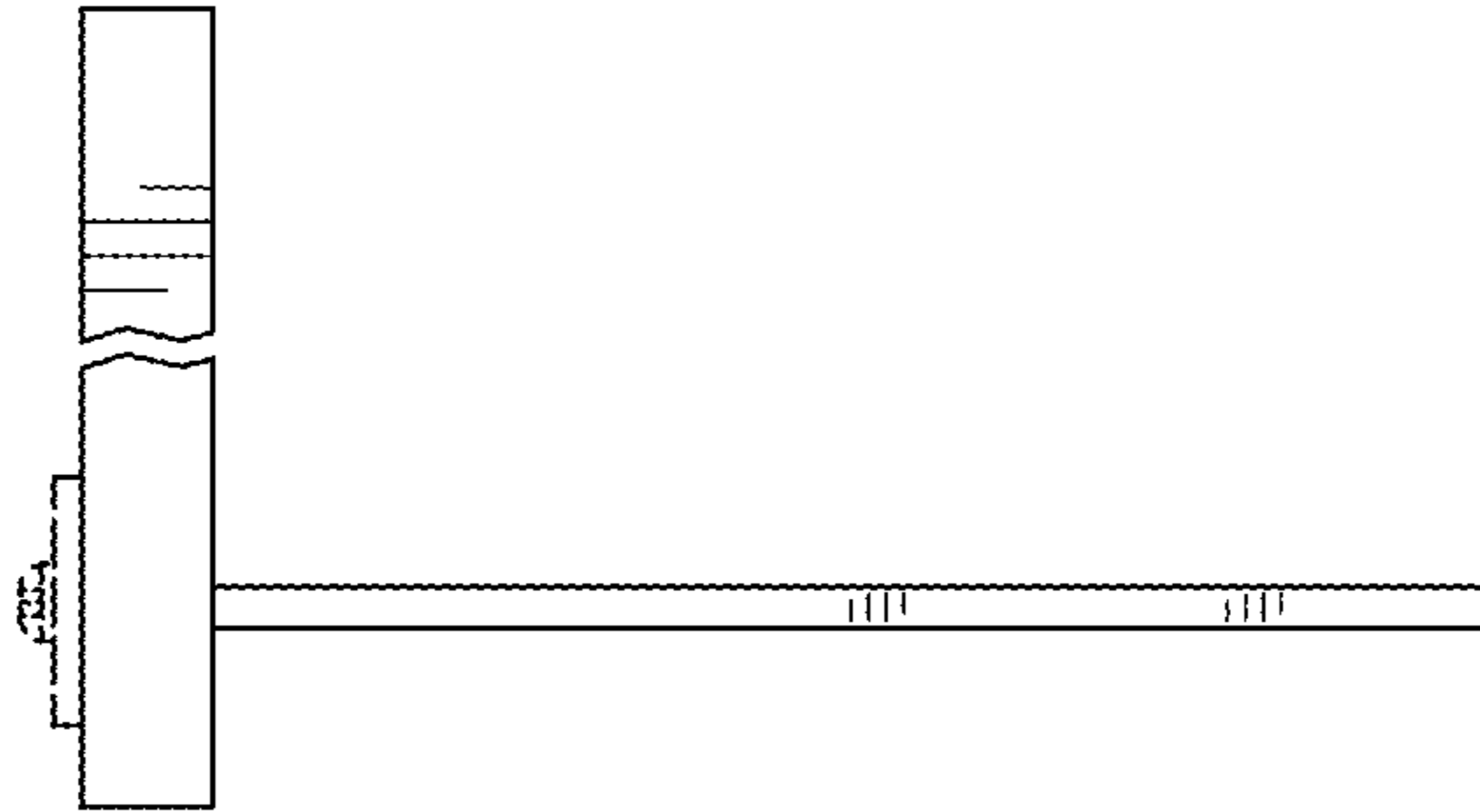


FIG. 5

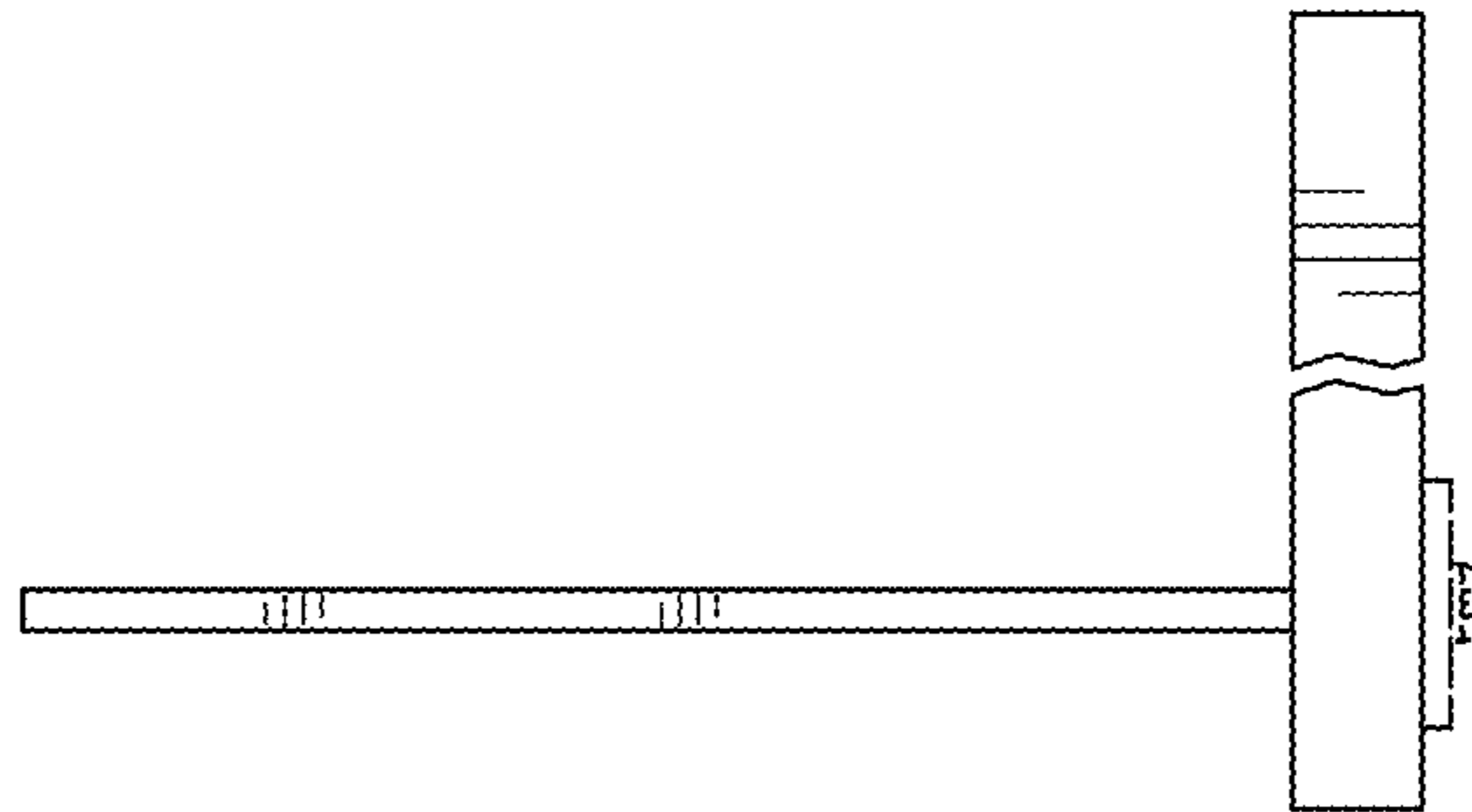


FIG. 6