



US00D821830S

(12) **United States Design Patent**
Leibman

(10) **Patent No.:** **US D821,830 S**
(45) **Date of Patent:** **** Jul. 3, 2018**

(54) **FUNNEL**

(71) Applicant: **Faith H. Leibman**, Narberth, PA (US)

(72) Inventor: **Faith H. Leibman**, Narberth, PA (US)

(**) Term: **15 Years**

(21) Appl. No.: **29/607,401**

(22) Filed: **Jun. 13, 2017**

(51) **LOC (11) Cl.** **07-99**

(52) **U.S. Cl.**
USPC **D7/700**

(58) **Field of Classification Search**
USPC D7/400, 667, 398; D9/440, 436, 524,
D9/712; D23/209, 302; D10/46.2;
D1/105, 116; D24/122
CPC A61J 11/04; A61J 9/00; B01F 15/00915;
B65B 39/00; B65B 39/04; B65D 35/38;
B65D 47/06; B67C 11/02; A47J 31/06;
C02F 1/003

See application file for complete search history.

(56) **References Cited**

U.S. PATENT DOCUMENTS

D227,413	S	*	6/1973	Sherin	D24/122
D265,586	S	*	7/1982	Sloan	D24/122
D290,880	S	*	7/1987	Blanton	D24/122
D296,496	S	*	7/1988	Kang	D2/877
5,762,120	A	*	6/1998	Smith	B65B 39/00 141/331
D589,764	S	*	4/2009	Randolph	D7/700
D600,498	S	*	9/2009	Ma	D7/397
D606,373	S	*	12/2009	McCaffery	D7/700
D629,269	S	*	12/2010	Okamoto	D7/700
D640,904	S	*	7/2011	Wax	D7/700
D721,579	S	*	1/2015	Ott	D9/436
D733,199	S	*	6/2015	Kimmel	D15/144

D744,641 S * 12/2015 Aiken D24/122
D776,807 S * 1/2017 Chacchia D24/121

* cited by examiner

Primary Examiner — Karen S Acker
Assistant Examiner — Steven B Reinholdt, Jr.
(74) *Attorney, Agent, or Firm* — Ballard Spahr LLP

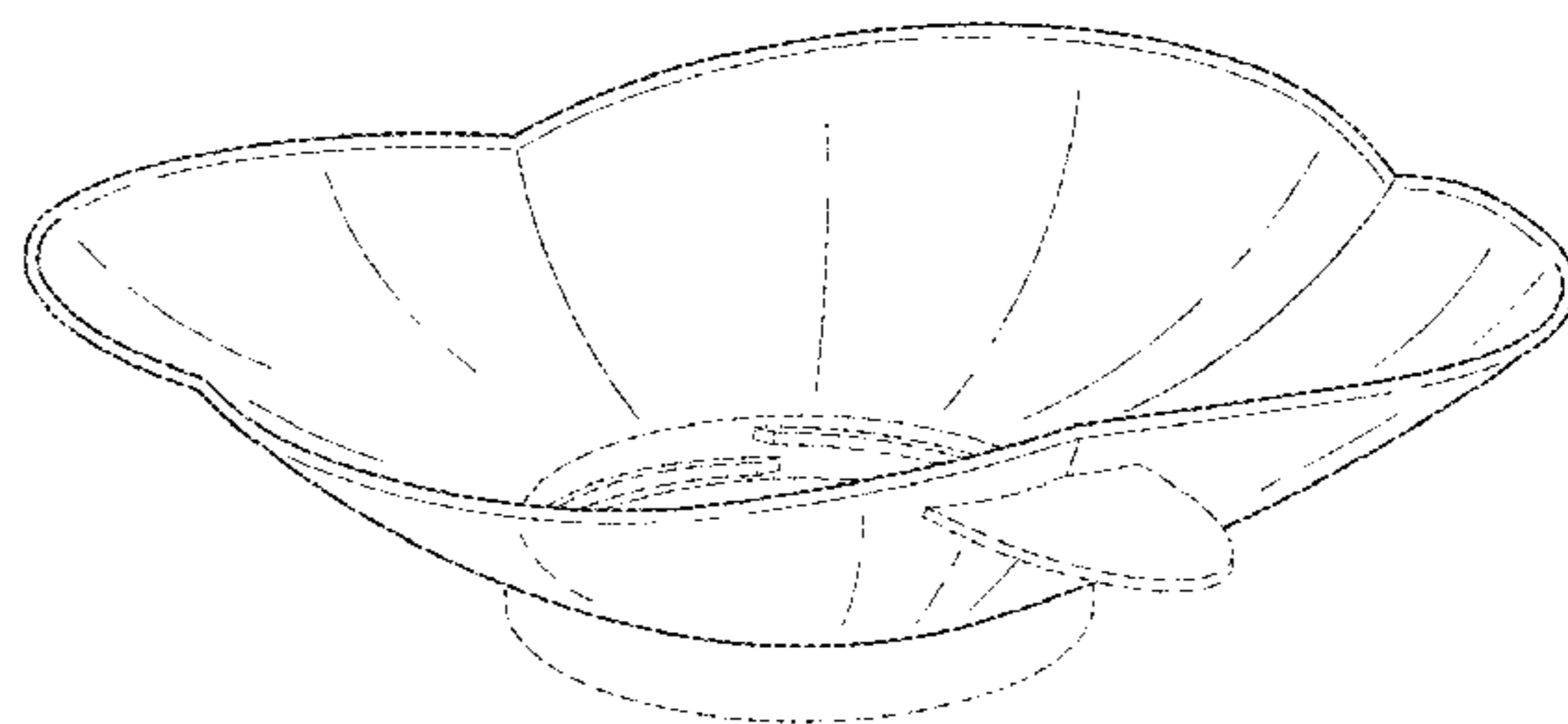
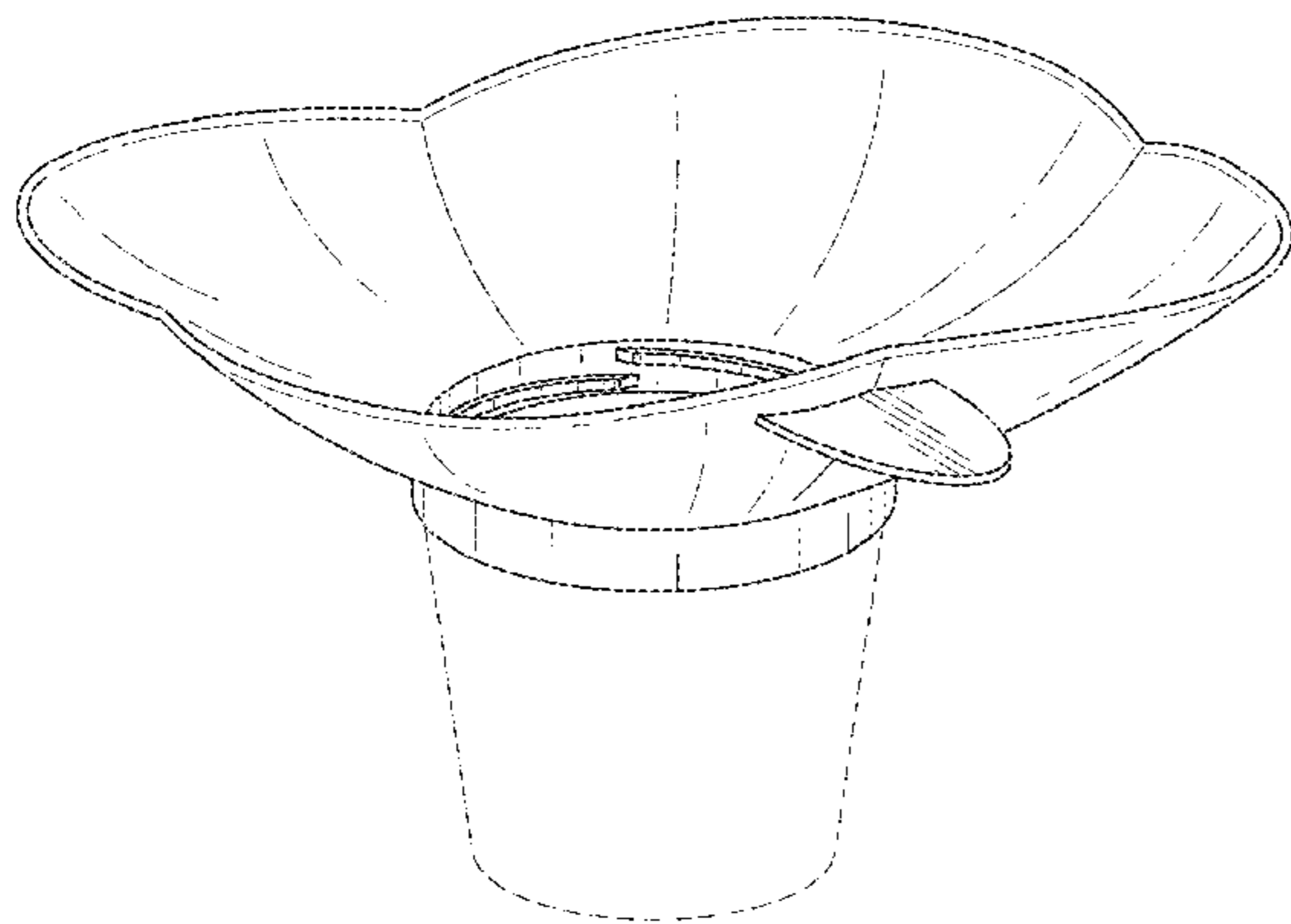
(57) **CLAIM**

I claim the ornamental design for a funnel, as shown and described.

DESCRIPTION

FIG. 1 is an isometric view of an embodiment of my design for a funnel;
FIG. 2 is a top view of the design for a funnel shown in FIG. 1;
FIG. 3 is a bottom view of the design for a funnel shown in FIG. 1;
FIG. 4 is a rear view of the design for a funnel shown in FIG. 1;
FIG. 5 is a front view of the design for a funnel shown in FIG. 1;
FIG. 6 is a right side view of the design for a funnel shown in FIG. 1, the left side view being a mirror image thereof;
FIG. 7 is an isometric view of an embodiment of my design for a funnel;
FIG. 8 is a top view of the design for a funnel shown in FIG. 7;
FIG. 9 is a bottom view of the design for a funnel shown in FIG. 7;
FIG. 10 is a rear view of the design for a funnel shown in FIG. 7;
FIG. 11 is a front view of the design for a funnel shown in FIG. 7; and,
FIG. 12 is a right side view of the design for a funnel shown in FIG. 7, the left side view being a mirror image thereof. The broken lines depict portions of the funnel that form no part of the claimed design.

1 Claim, 6 Drawing Sheets



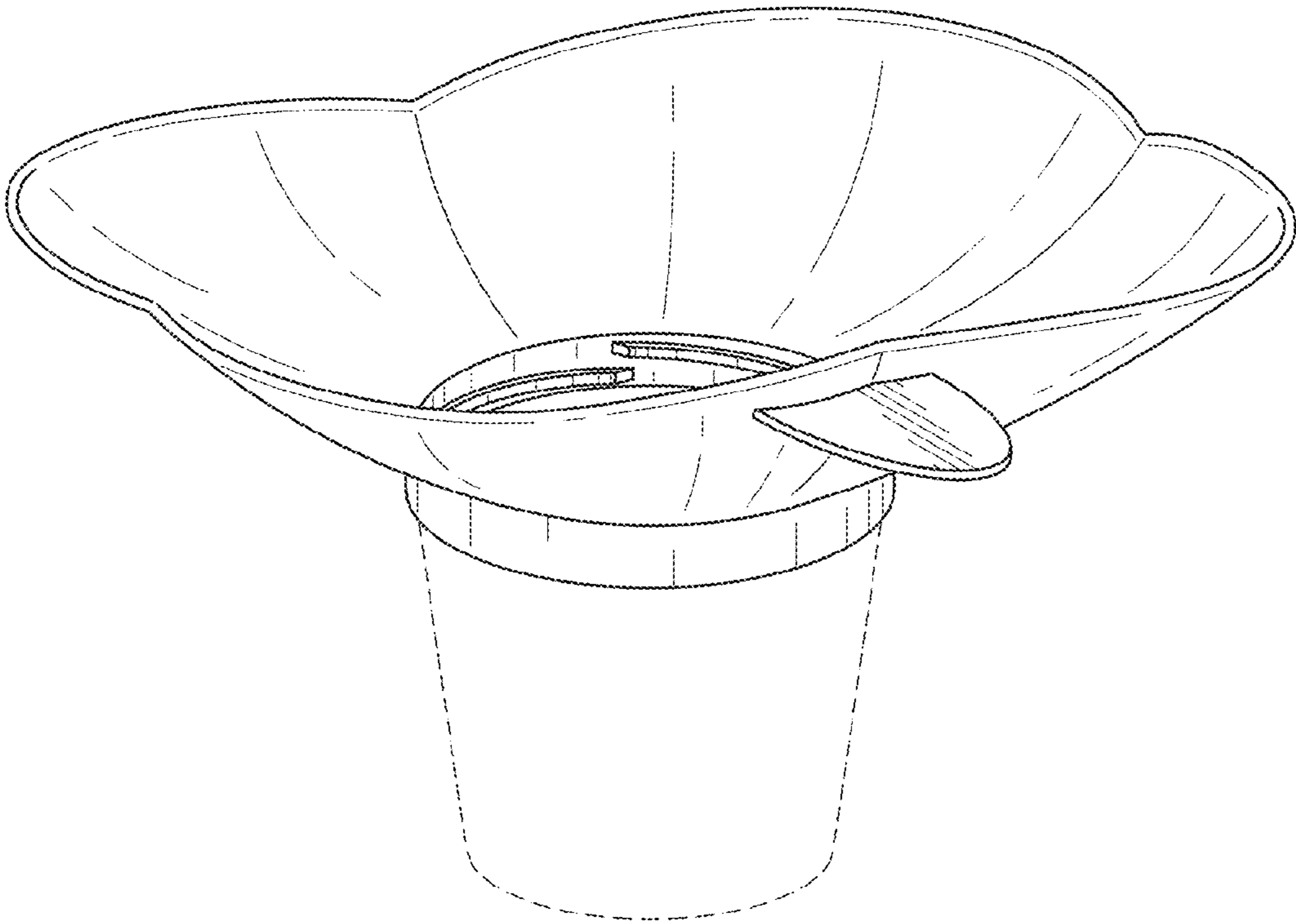


FIG. 1

FIG. 2

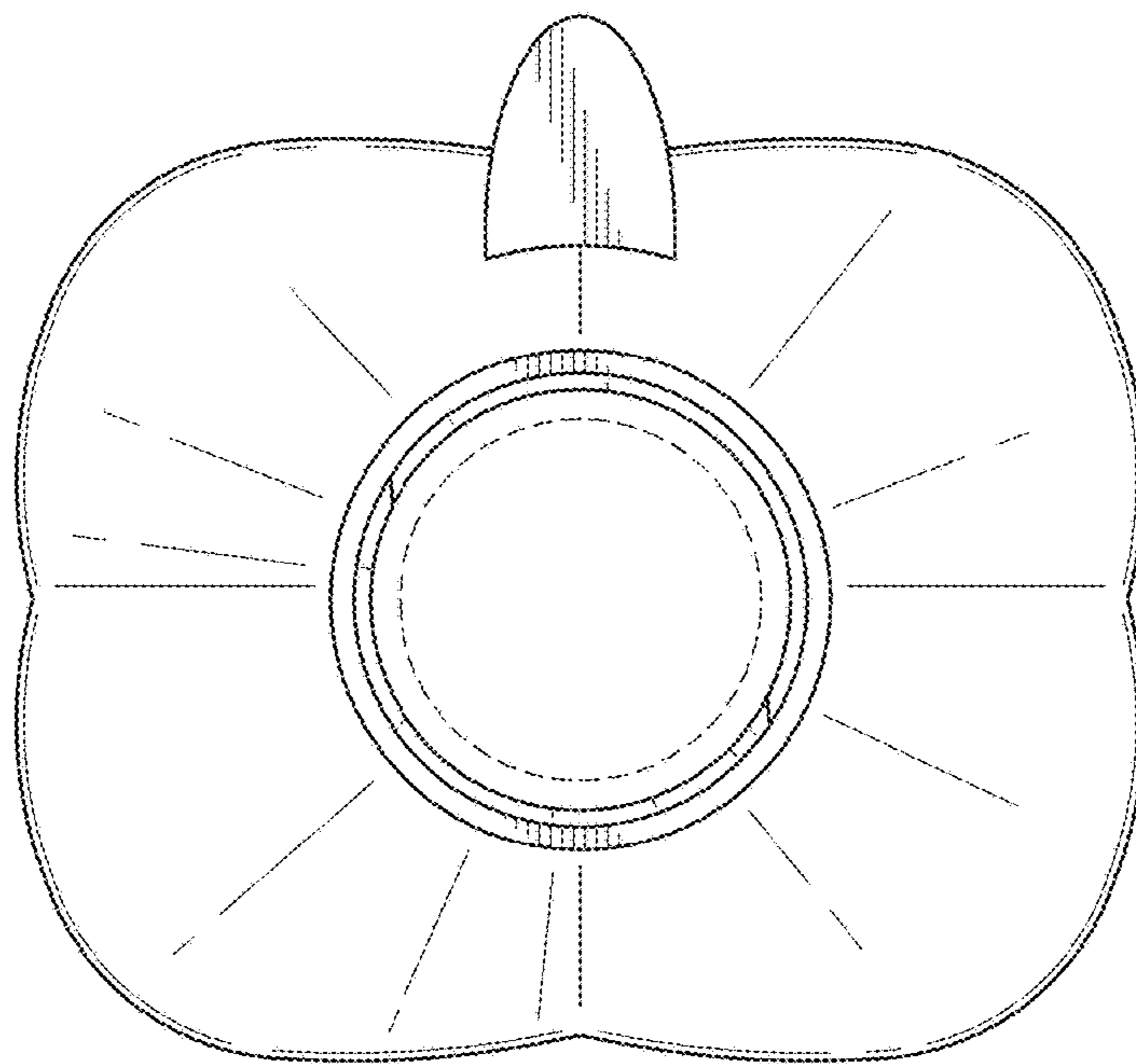
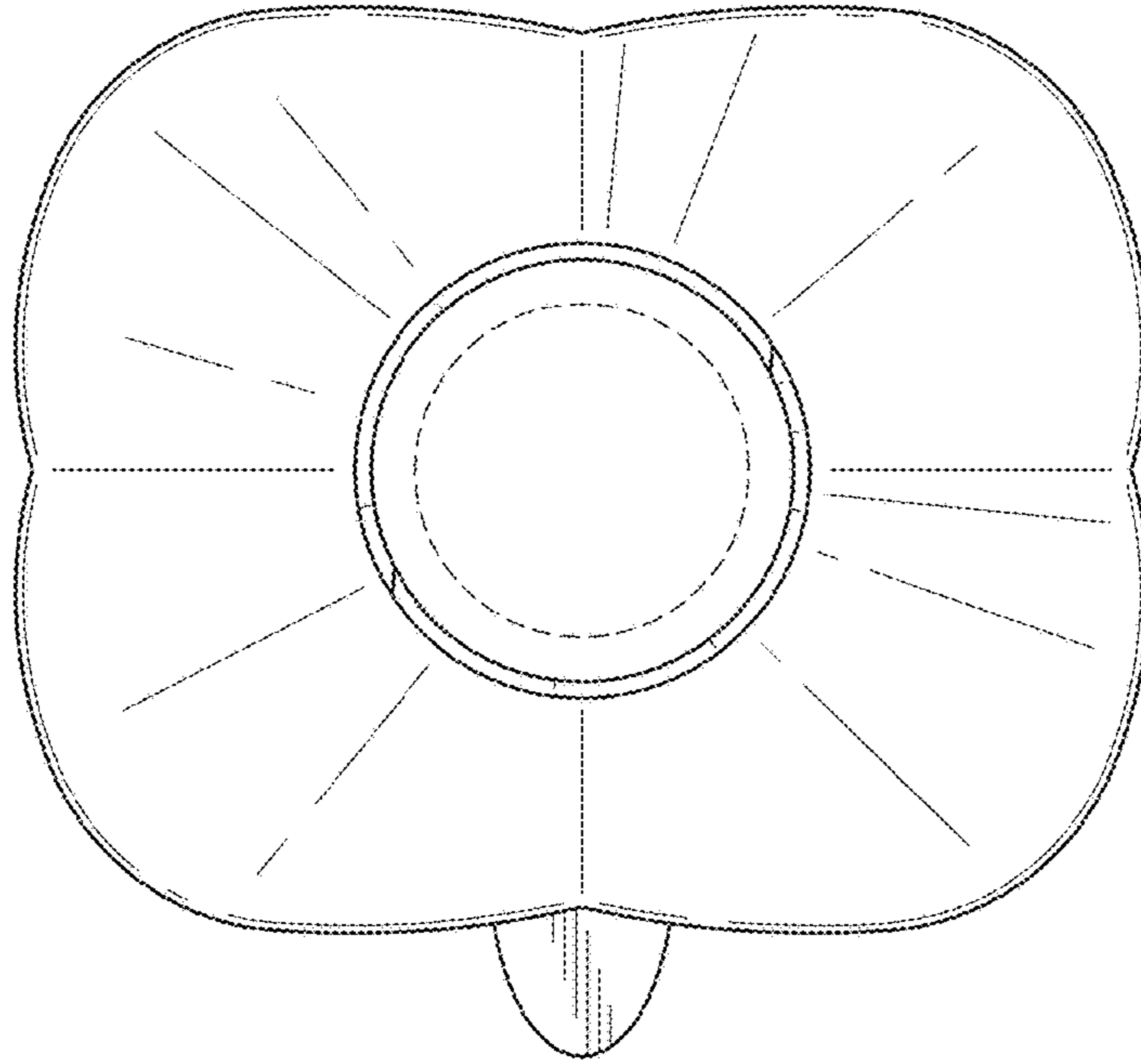


FIG. 3

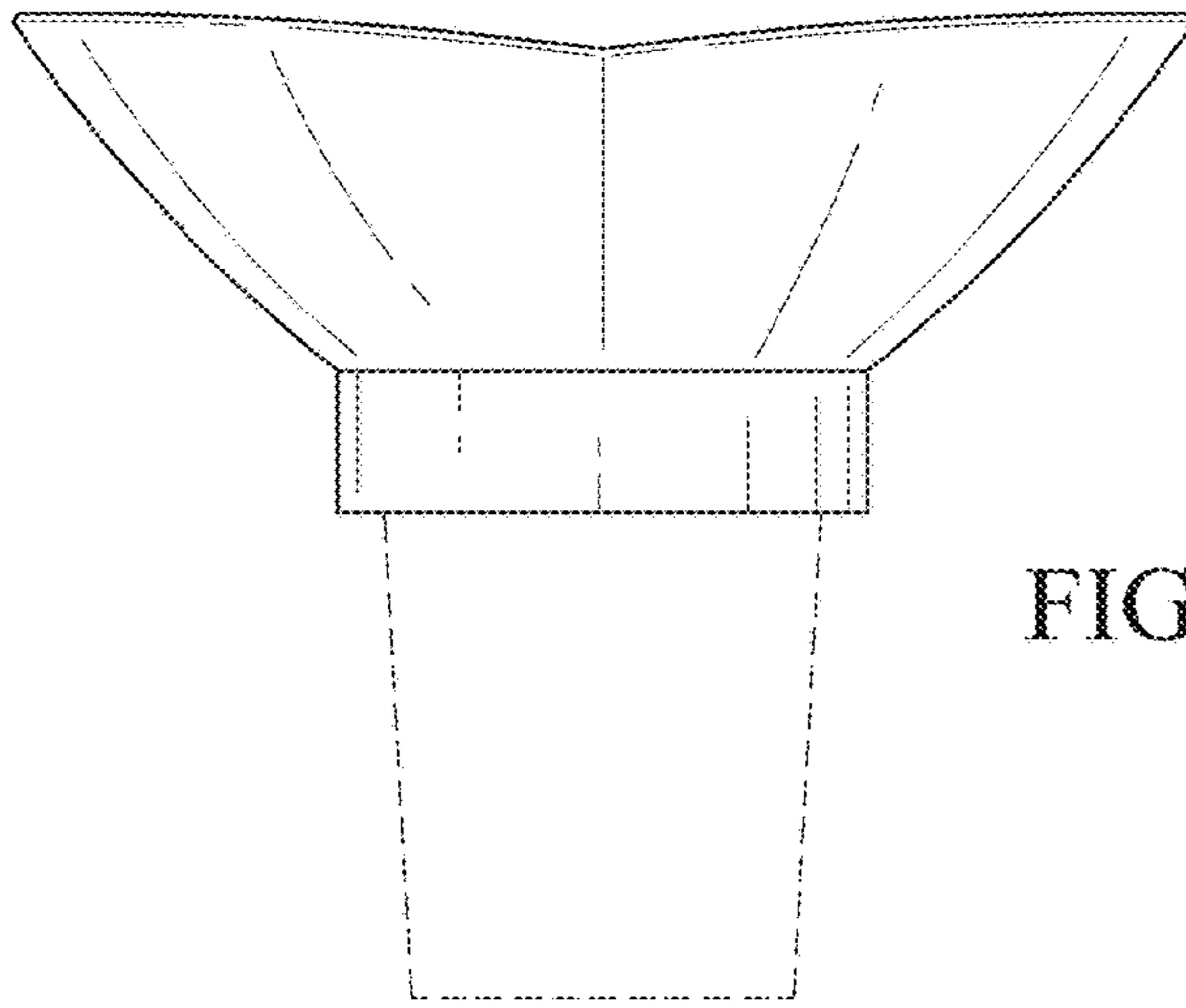


FIG. 4

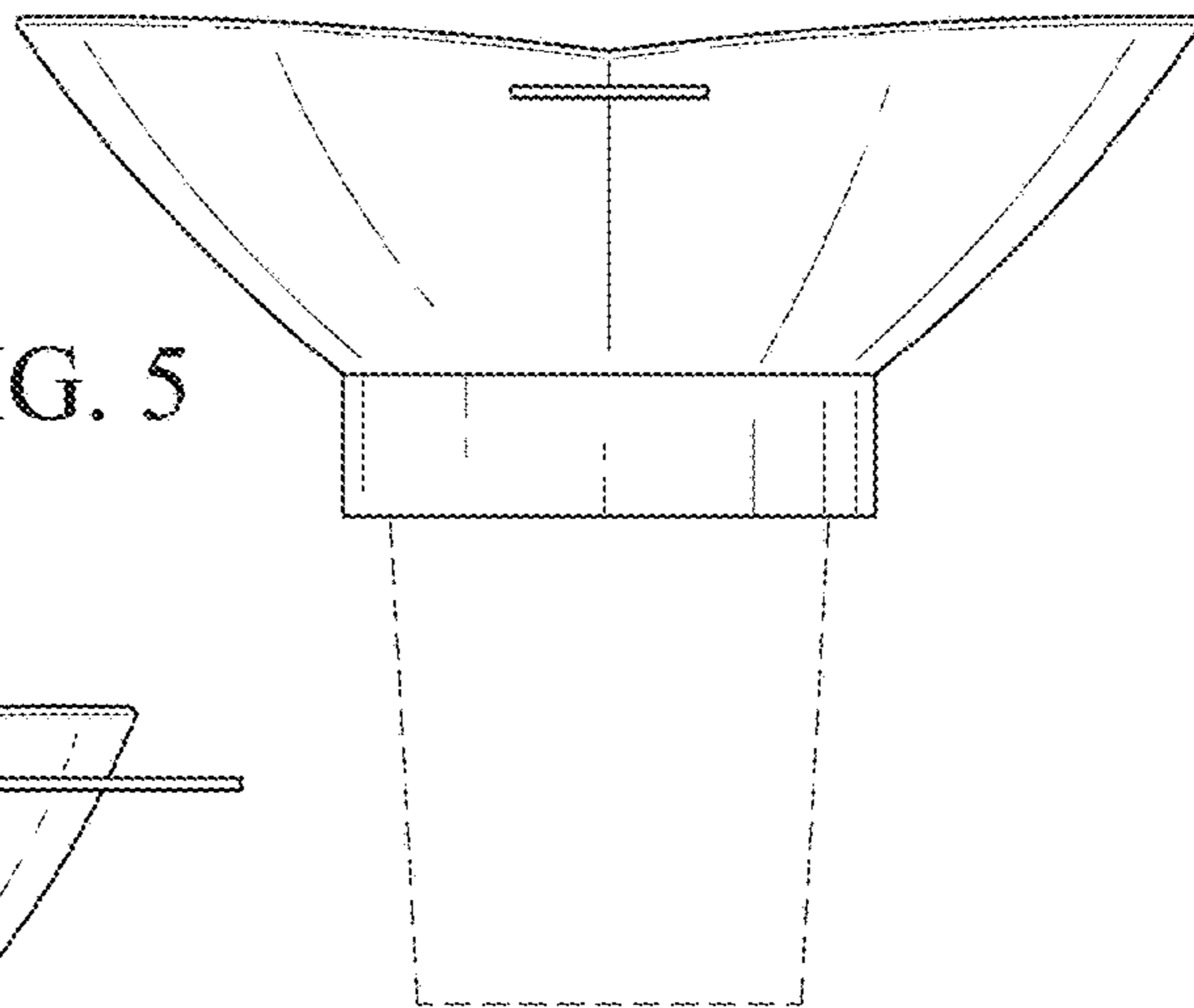


FIG. 5

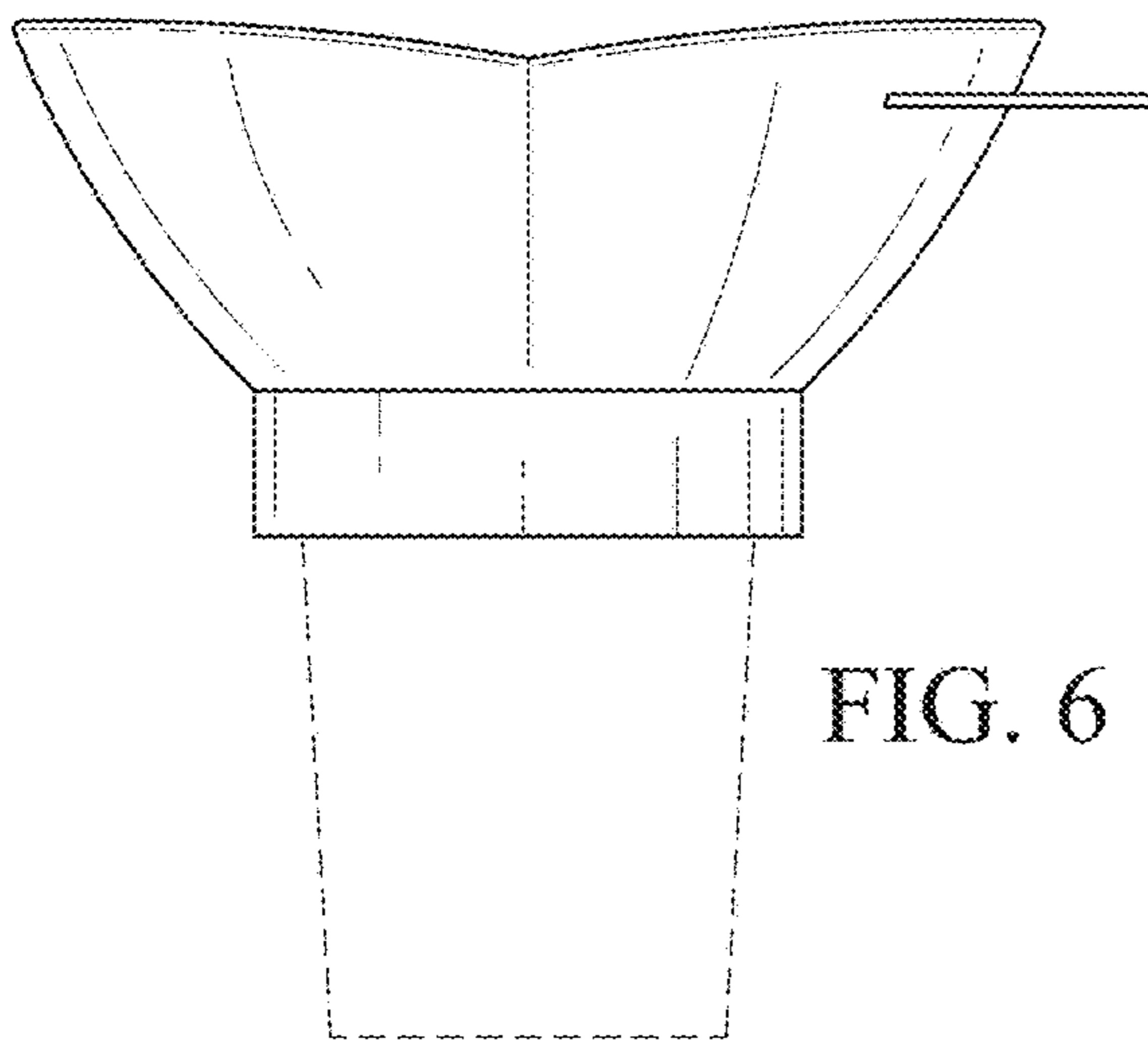


FIG. 6

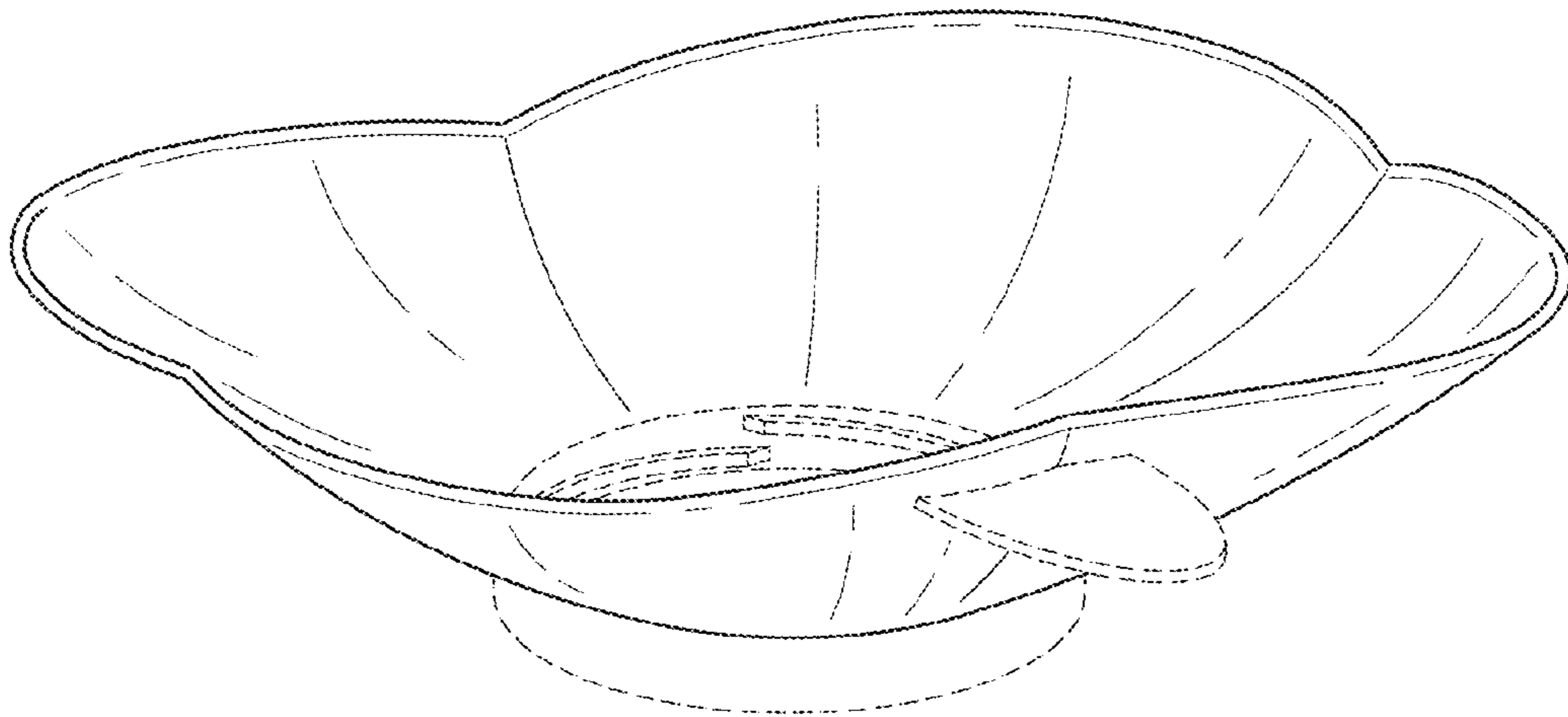


FIG. 7

FIG. 8

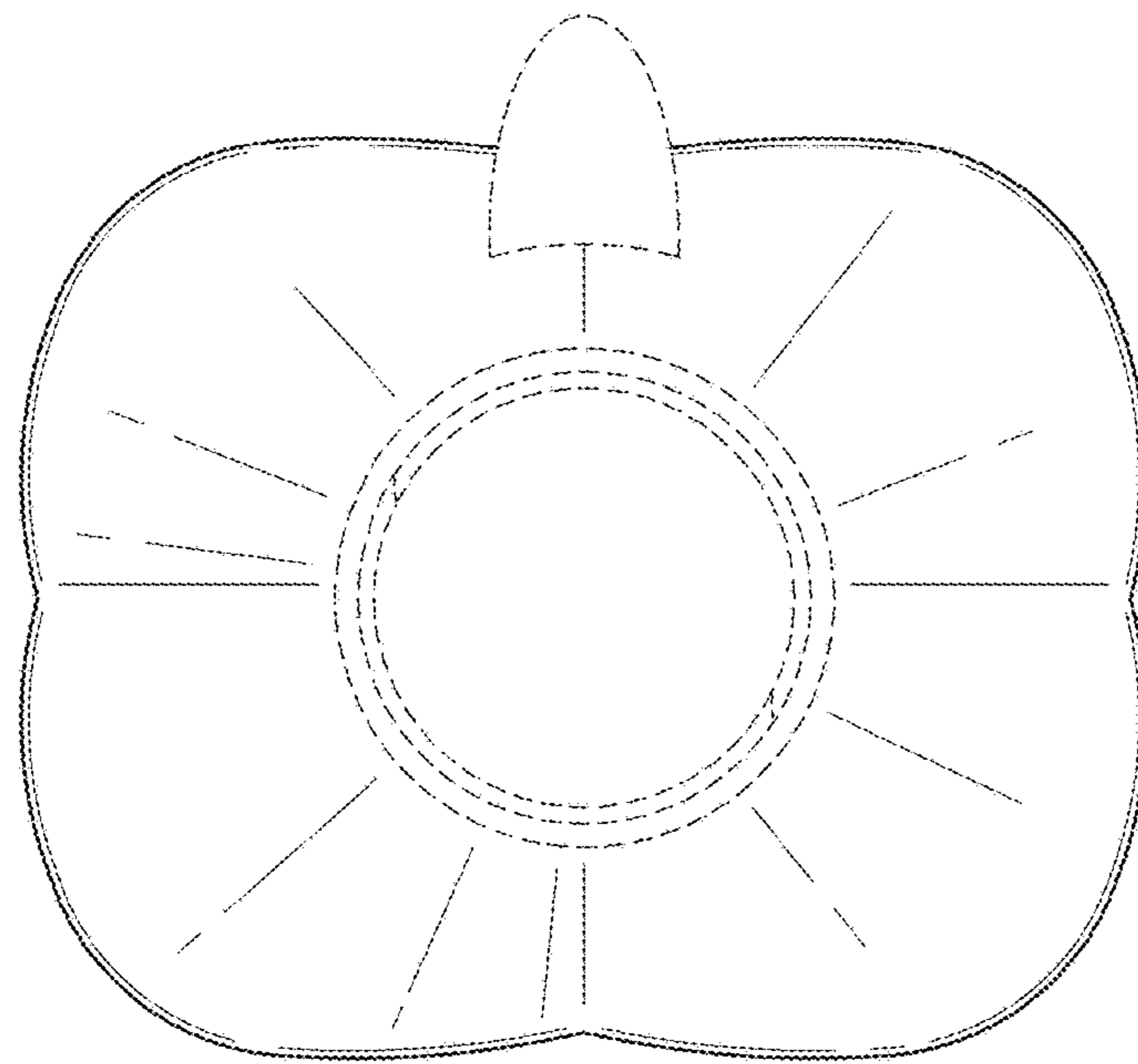
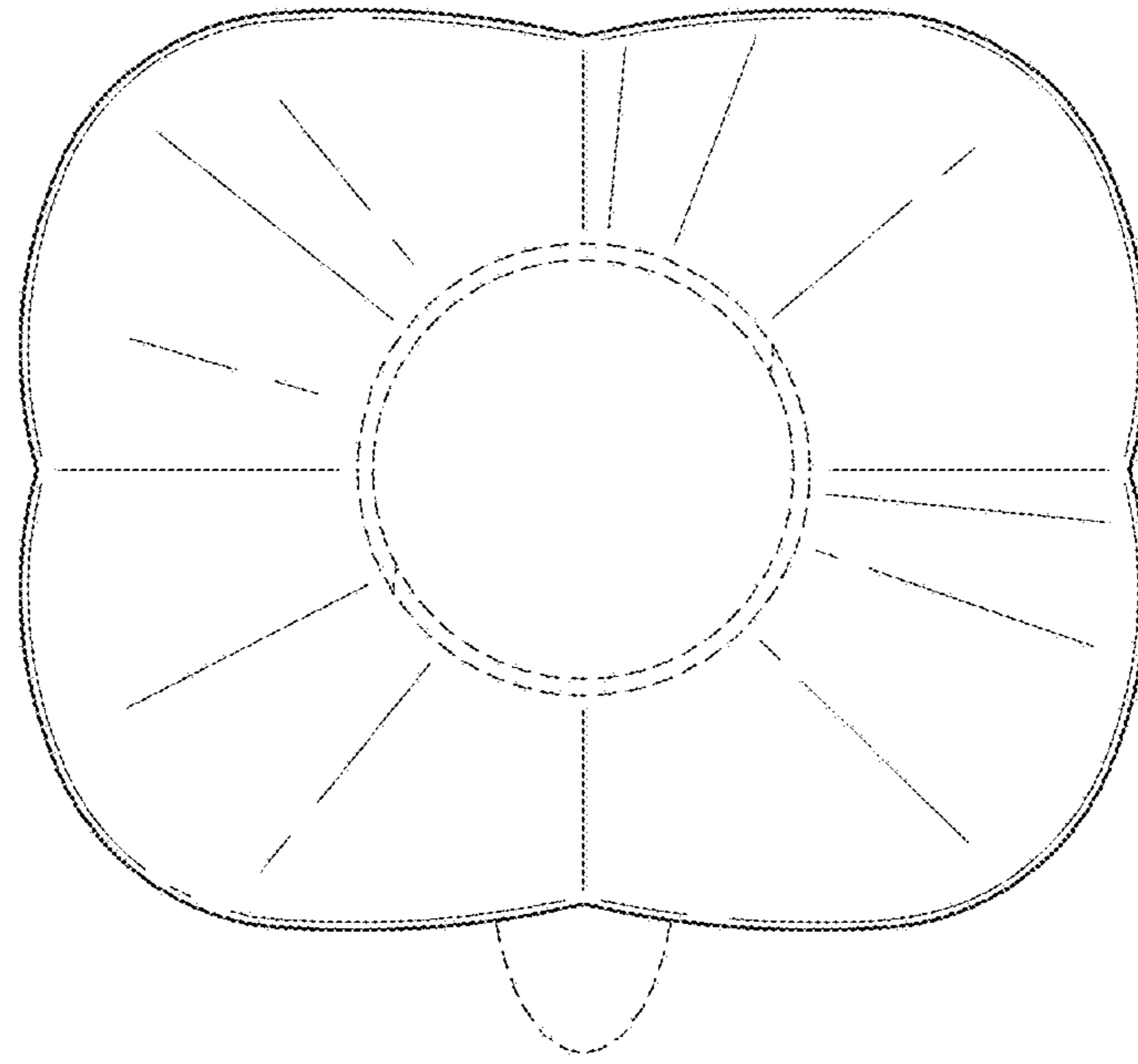


FIG. 9

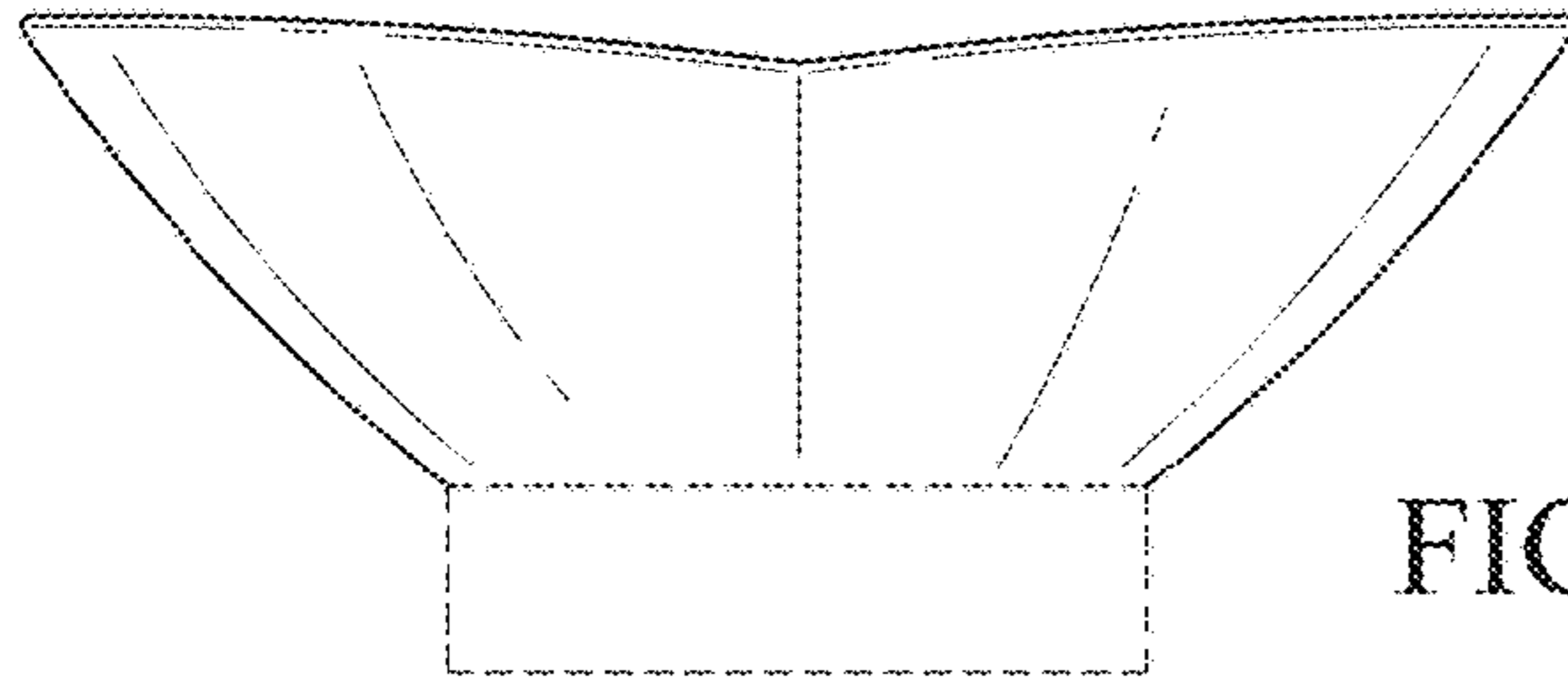


FIG. 10

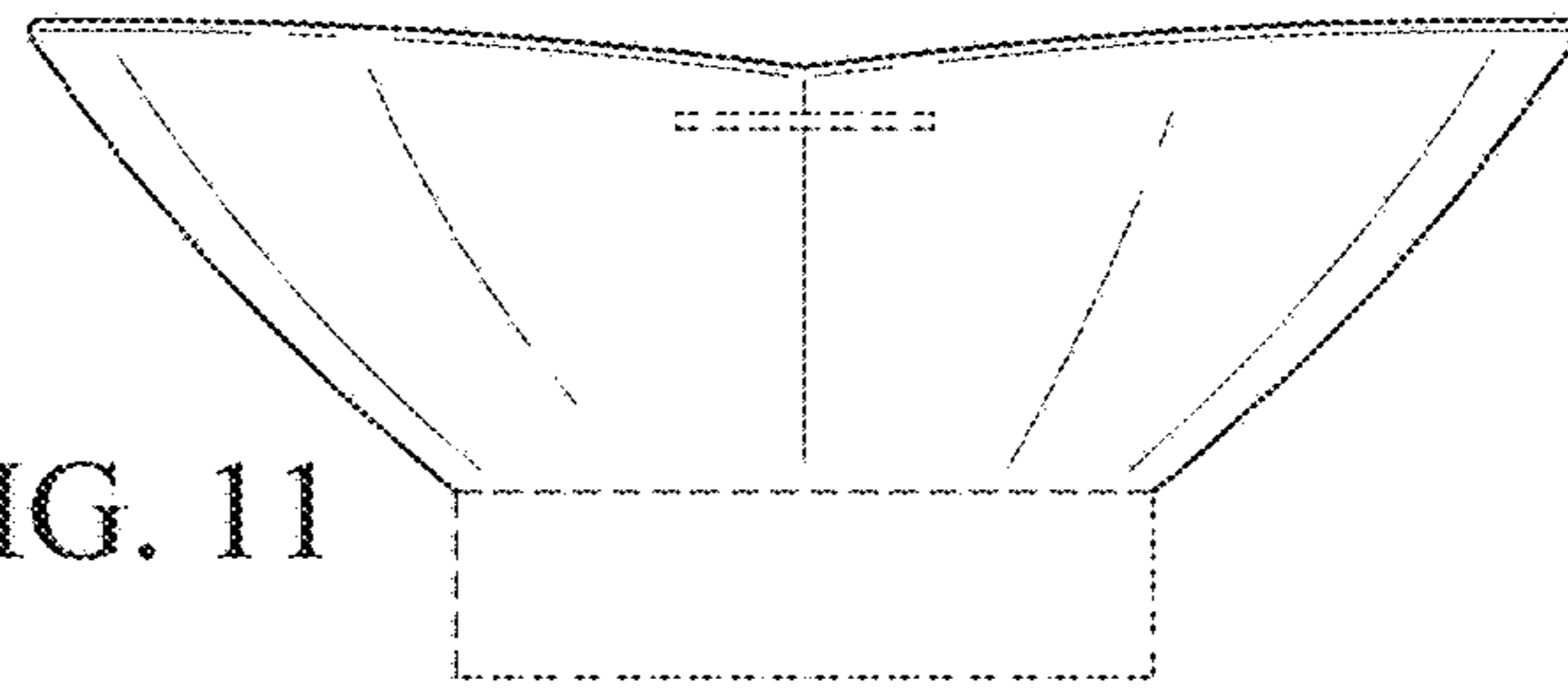


FIG. 11

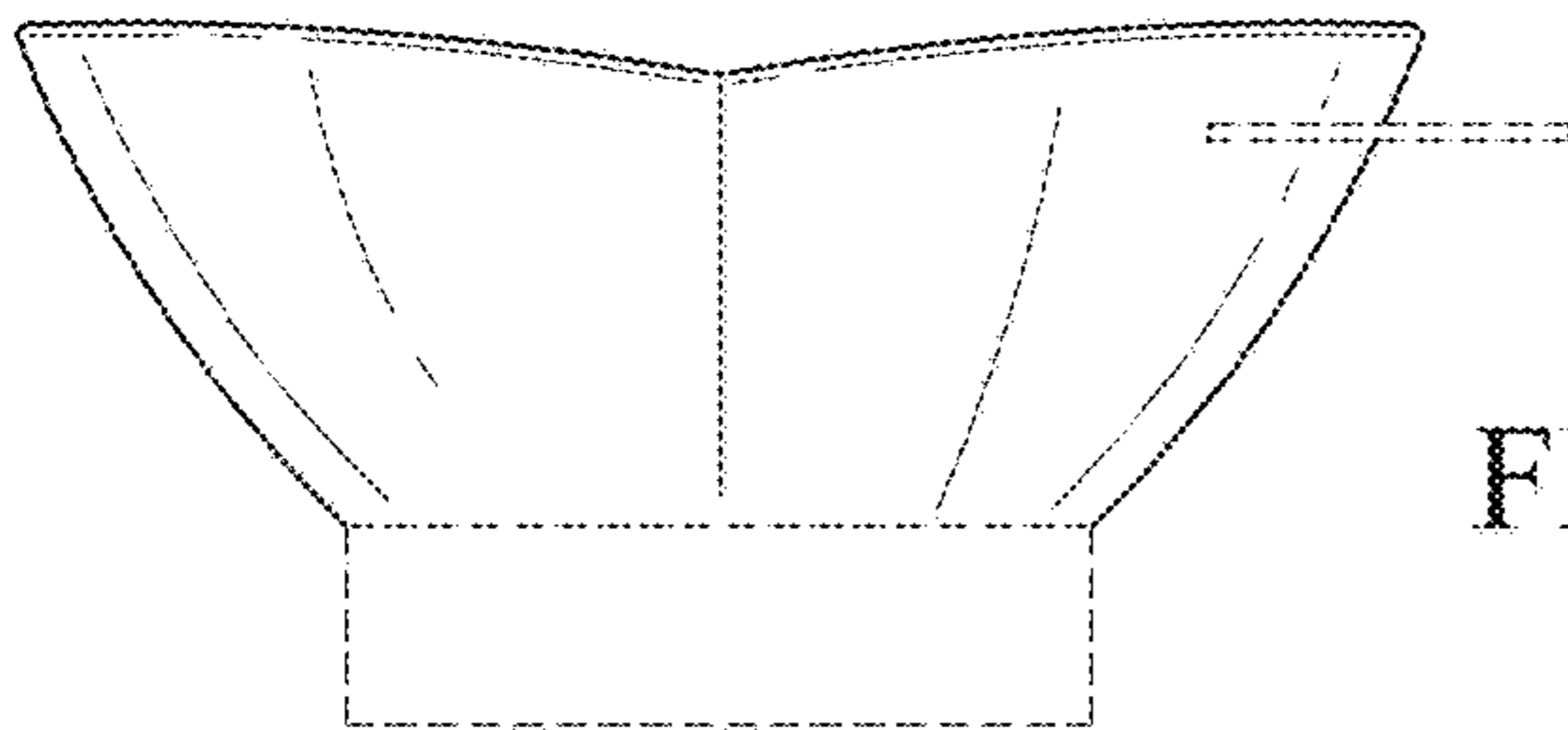


FIG. 12