



US00D821826S

(12) **United States Design Patent**
Vasquez

(10) **Patent No.:** **US D821,826 S**
(45) **Date of Patent:** **** Jul. 3, 2018**

- (54) **STORAGE CONTAINER**
- (71) Applicant: **Ruby Vasquez**, El Paso, TX (US)
- (72) Inventor: **Ruby Vasquez**, El Paso, TX (US)
- (**) Term: **15 Years**
- (21) Appl. No.: **29/590,987**
- (22) Filed: **Jan. 15, 2017**
- (51) **LOC (11) Cl.** **09-07**
- (52) **U.S. Cl.**
USPC **D7/629**
- (58) **Field of Classification Search**
USPC D7/629, 630, 601, 602, 538-542, 612,
D7/608, 300, 312, 316, 323, 353, 900,
D7/387, 368, 388, 397, 402, 403, 412,
D7/500, 550.1, 552.1, 552.2, 553.1,
D7/553.2, 553.3, 554.4, 555, 701-710;
D9/424-433, 445, 500, 501, 503, 504,
D9/516, 549, 575, 415-419, 737, 761,
D9/760, 759, 756, 479, 478, 420, 421;
D19/102, 75, 77; D8/71
CPC B65D 85/50; B65D 85/505; B65D 85/52;
B65D 43/02; B65D 1/26; B65D 43/0206;
B65D 43/0214; B65D 6/00; A47J 47/01;
A47J 42/14; A47J 42/34; A47J 42/50;
A47J 47/02; A47J 47/08; A47J 47/10;
A47J 41/00; H05B 3/02; A21B 1/52
See application file for complete search history.

D333,065	S	*	2/1993	Murphy	D7/391
D336,596	S	*	6/1993	Osgood	D7/542
5,383,582	A	*	1/1995	Baxter	B65D 47/265 222/480
D404,262	S	*	1/1999	McGill	D7/629
D441,284	S	*	5/2001	Saur	D3/264
D442,860	S	*	5/2001	Symons	D9/425
D460,692	S	*	7/2002	Cumberbatch	D9/504
D474,378	S	*	5/2003	Brandenburg	D7/679
D476,572	S	*	7/2003	Merritt	D28/82
D479,951	S	*	9/2003	Segura	D7/608
D480,303	S	*	10/2003	Tompkins	D9/428
D513,386	S	*	1/2006	Pace	D9/504
D515,426	S	*	2/2006	Pace	D9/504
D531,036	S	*	10/2006	Bried	D9/504
D541,176	S	*	4/2007	Bried	D9/504
D604,120	S	*	11/2009	Curtin	D7/629
D630,475	S	*	1/2011	Lu	D7/629
D638,516	S	*	5/2011	Greenway-Balnar	D23/209
D640,545	S	*	6/2011	Gibson	D9/428

(Continued)

Primary Examiner — Shannon W Morgan
(74) *Attorney, Agent, or Firm* — Gulf Coast Intellectual Property Group

(57) **CLAIM**

The ornamental design for a storage container, as shown and described.

DESCRIPTION

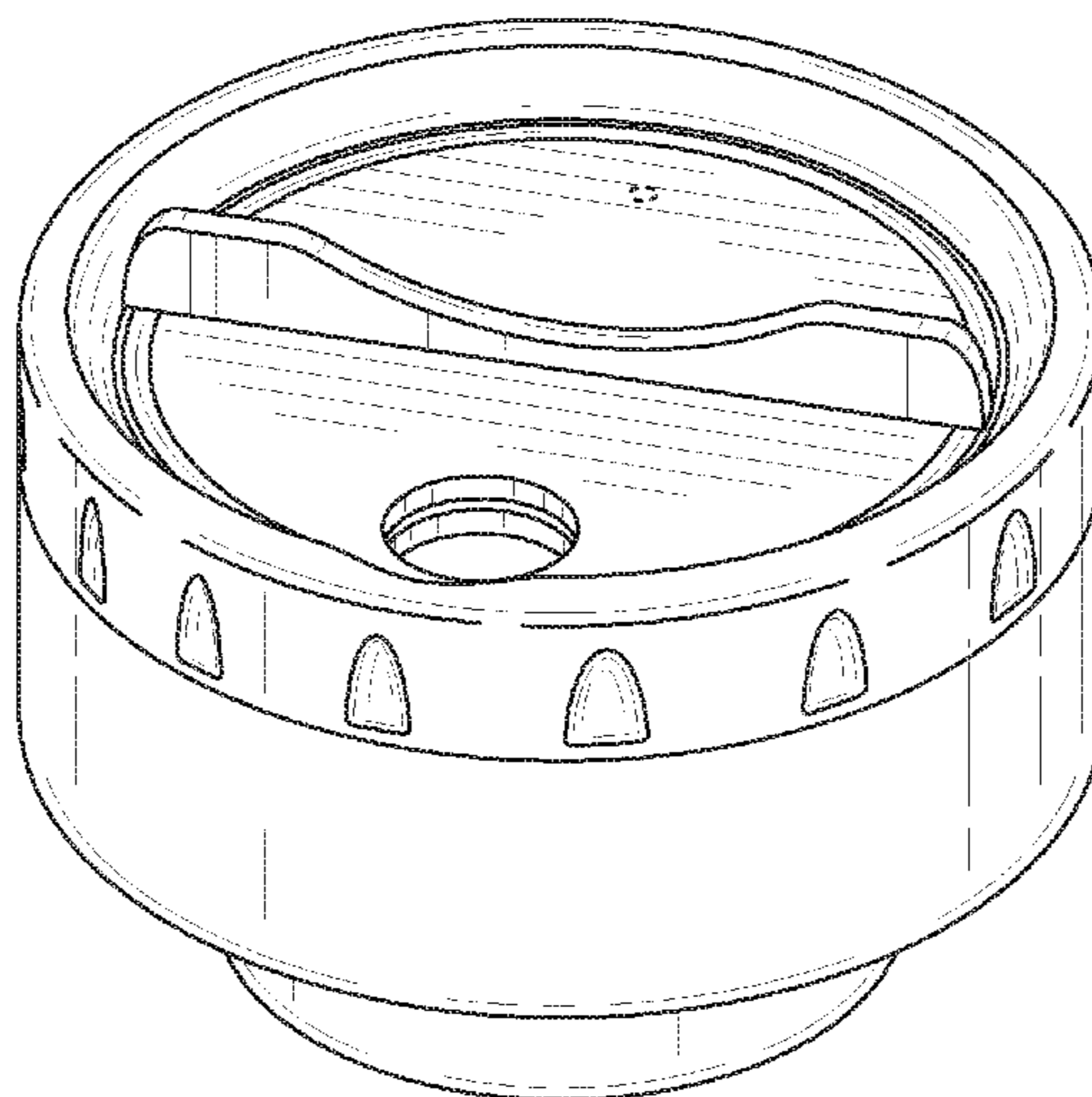
FIG. 1 is front side elevational view of the storage container showing my new design; and
FIG. 2 is rear side elevational view thereof; and
FIG. 3 is a right side elevational view thereof; and
FIG. 4 is a left side elevational view thereof; and
FIG. 5 is a top plan view thereof; and
FIG. 6 is a bottom plan view thereof; and,
FIG. 7 is a top, front perspective view thereof.
The broken lines and areas within shown in FIGS. 5-7 depict portions of the storage container that form no part of the claimed design.

1 Claim, 4 Drawing Sheets

(56) **References Cited**

U.S. PATENT DOCUMENTS

2,385,677	A	*	9/1945	Bailey	A47G 19/34 221/299
D257,930	S	*	1/1981	Conti	D7/629
D257,931	S	*	1/1981	Conti	D7/584
D259,009	S	*	4/1981	Connolly	D7/538
D299,801	S	*	2/1989	Basitodos	D7/540



(56)

References Cited

U.S. PATENT DOCUMENTS

D640,546 S * 6/2011 Berggren D9/421
8,074,841 B1 * 12/2011 Craig A47G 19/30
220/23.83
D658,014 S * 4/2012 Miga, Jr. D7/629
D660,693 S * 5/2012 Berggren D9/421
D664,036 S * 7/2012 Procter B65D 43/0212
D9/447
D666,461 S * 9/2012 Siegel D7/629
D682,617 S * 5/2013 Miksovsky D7/507
8,651,119 B2 * 2/2014 Byun A45D 33/26
132/294
D703,537 S * 4/2014 Vogel D7/630
D746,627 S * 1/2016 Puigbo D9/503
D756,790 S * 5/2016 Henriksson D9/504
D766,654 S * 9/2016 Forti D7/397
D769,079 S * 10/2016 Kotani D7/608
2006/0278665 A1 * 12/2006 Bennett A45D 33/16
222/480
2013/0098915 A1 * 4/2013 Del Solar B65D 51/00
220/288
2016/0090210 A1 * 3/2016 Vasquez B65D 21/086
220/254.9

* cited by examiner

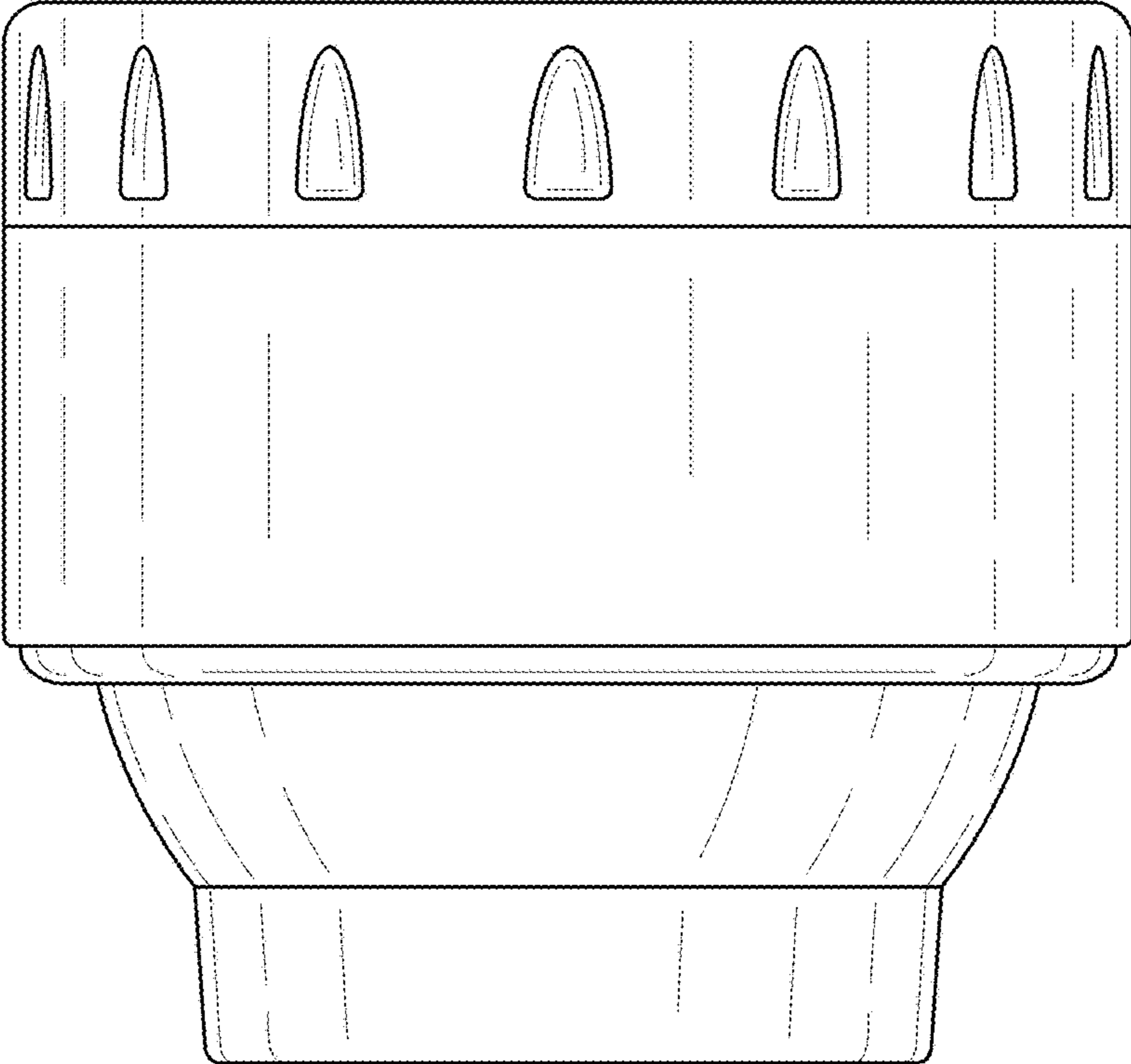


FIG. 1

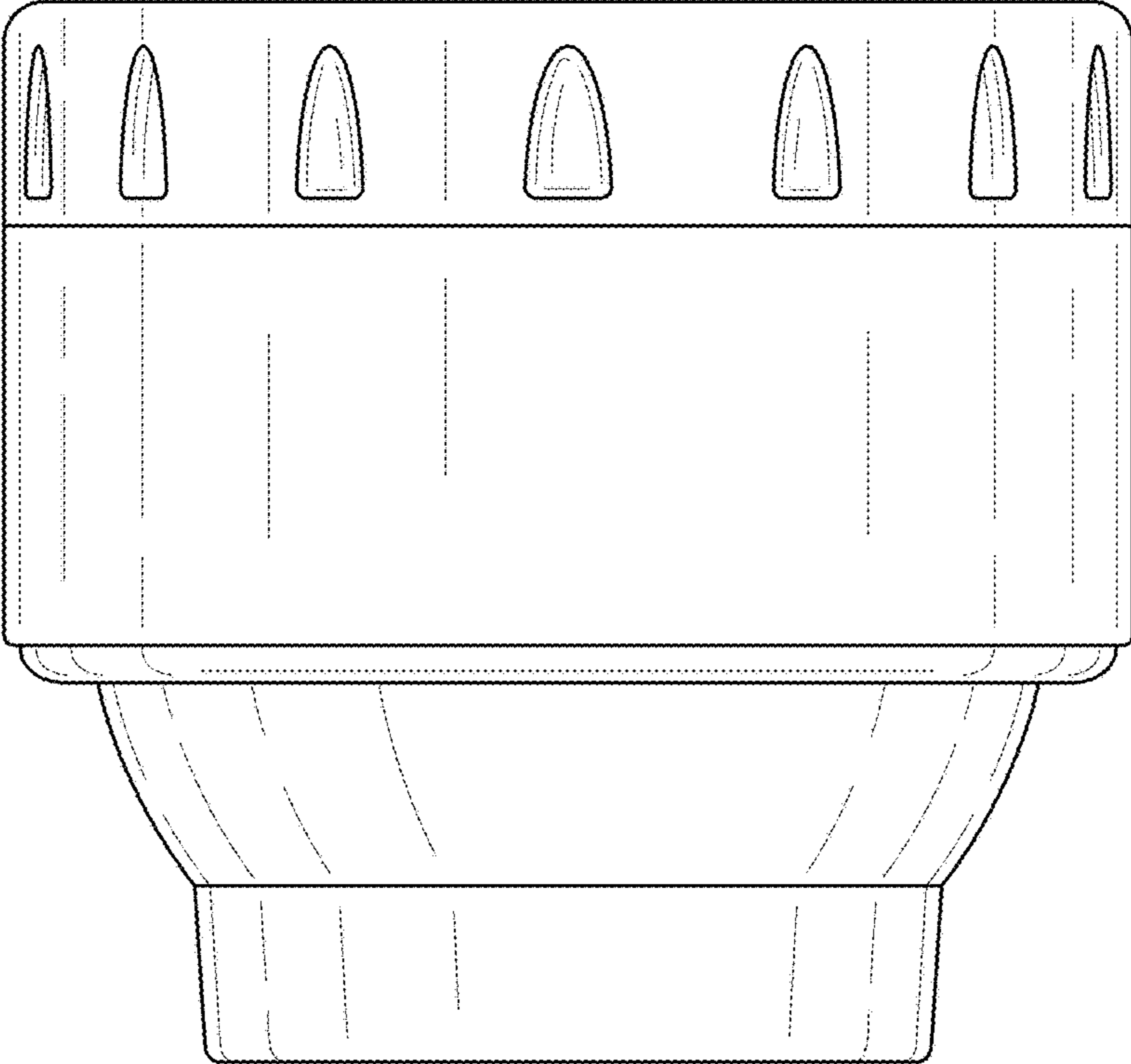


FIG. 2

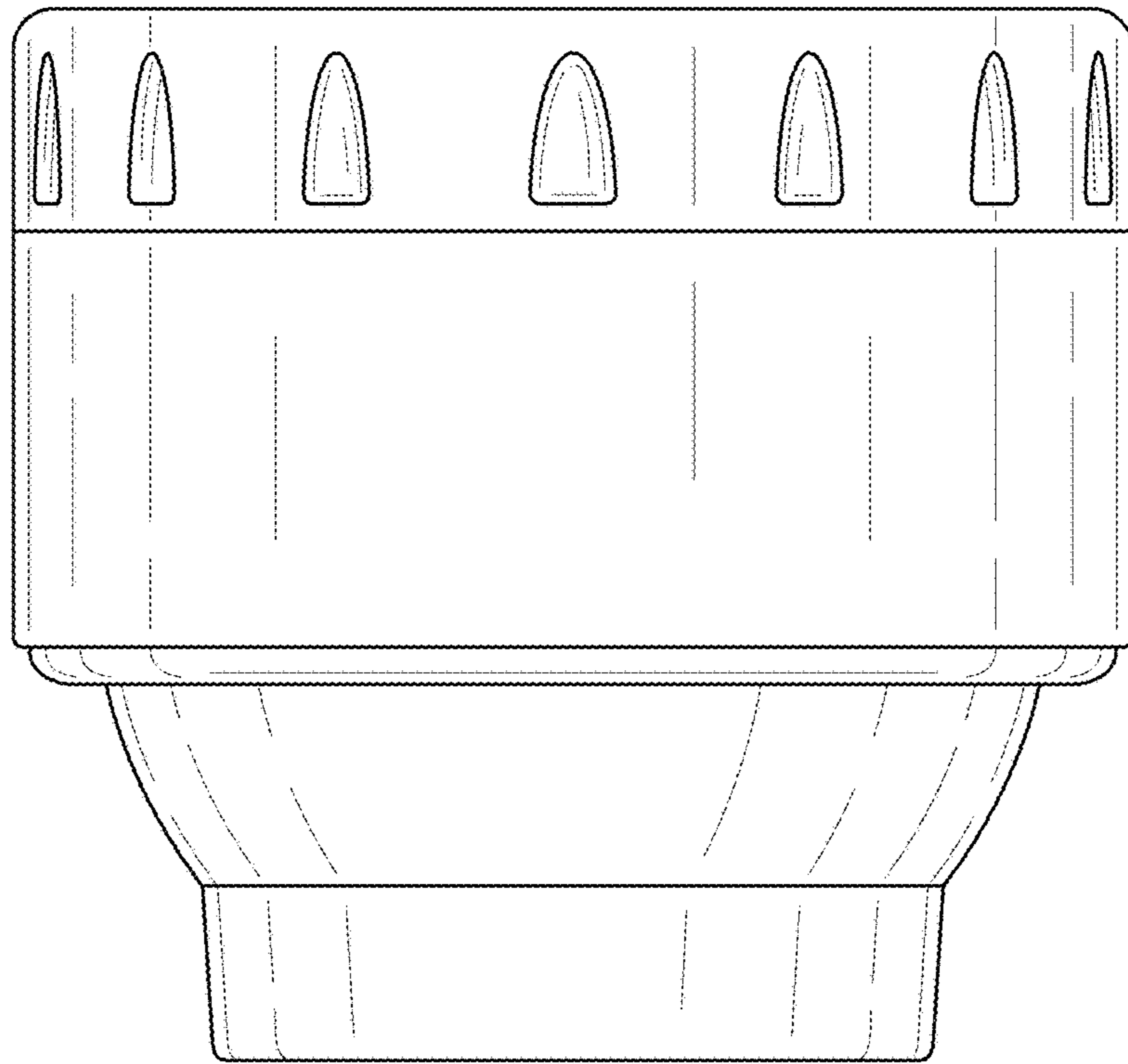


FIG. 3

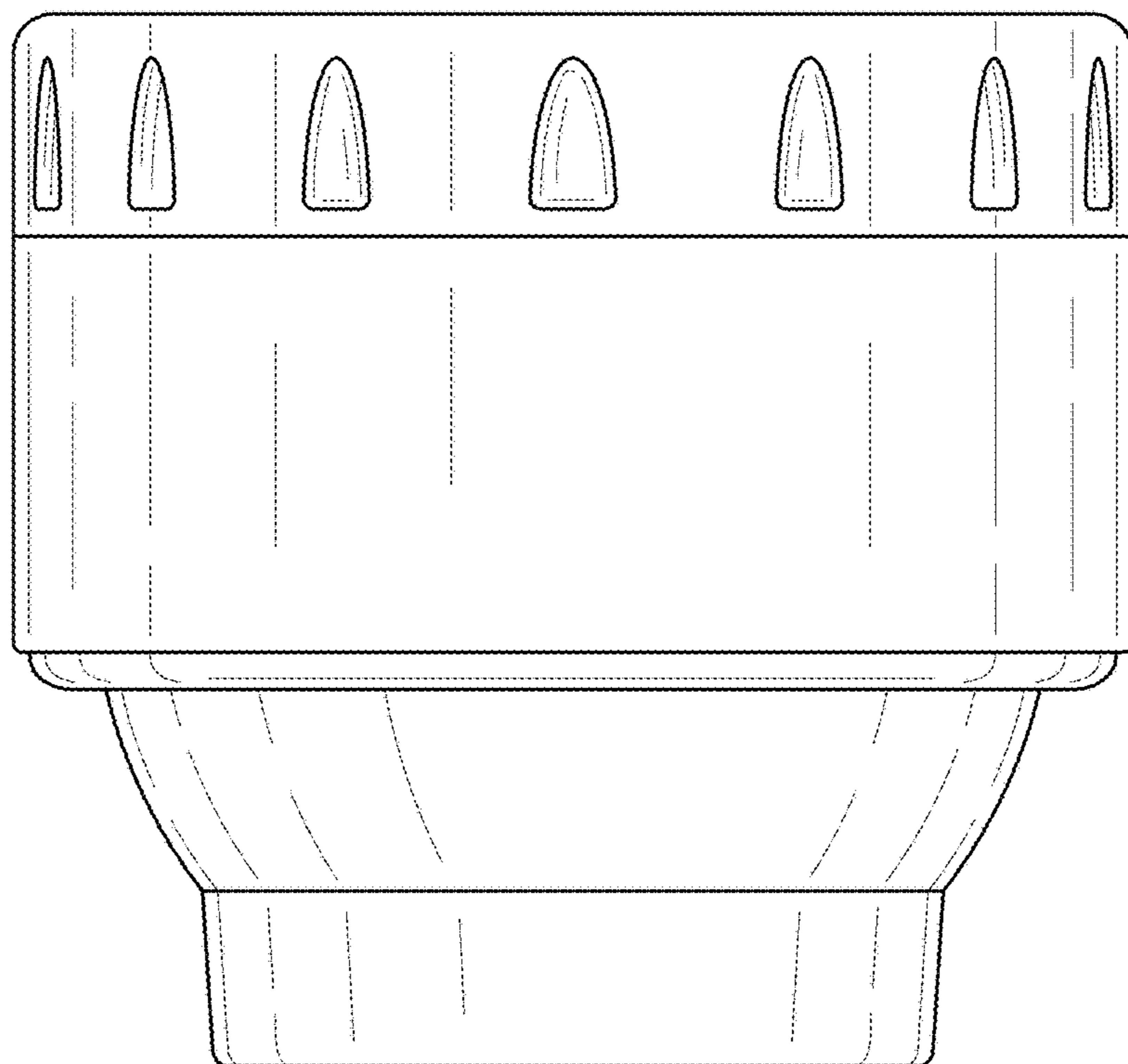


FIG. 4

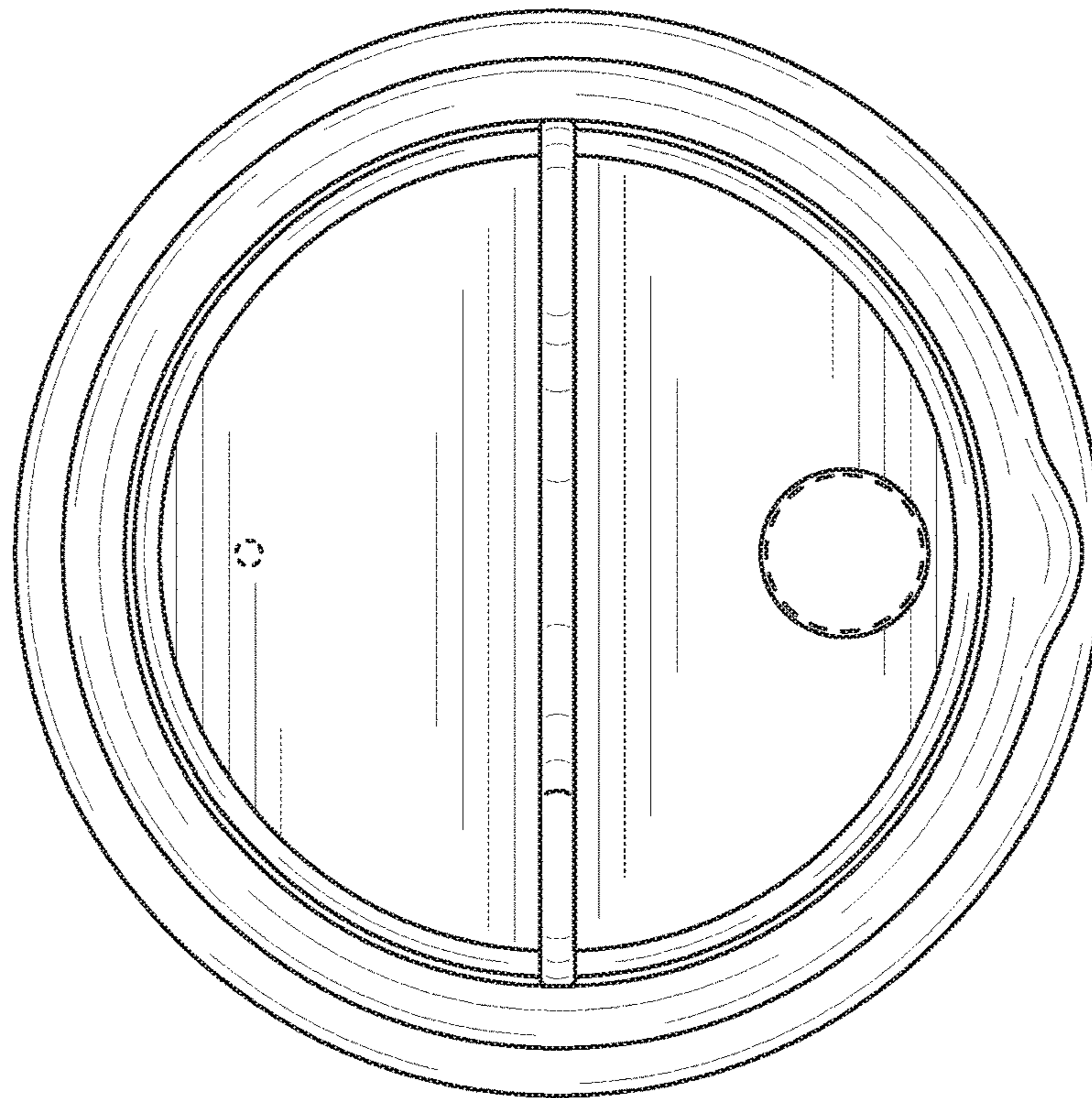


FIG. 5

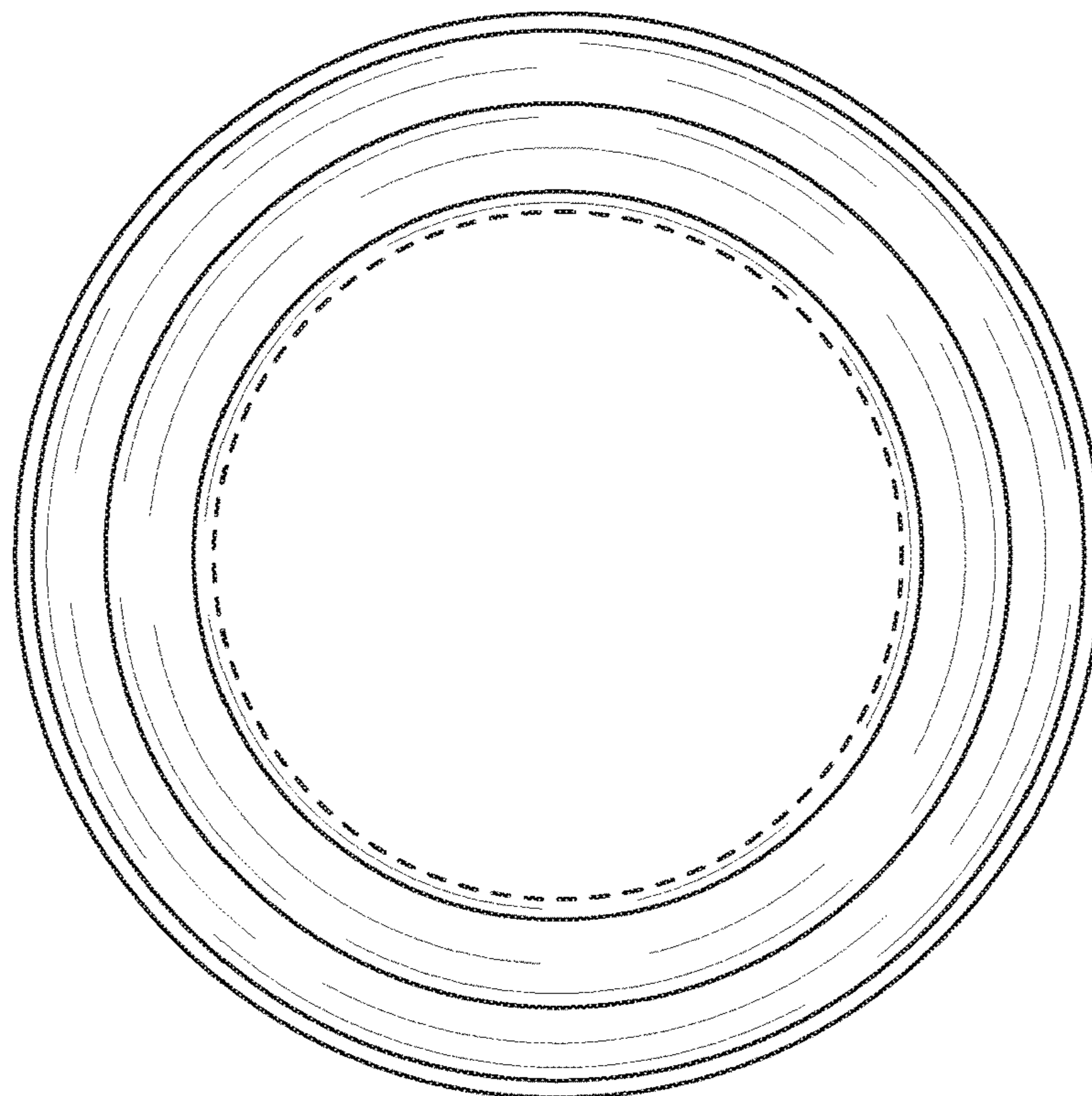


FIG. 6

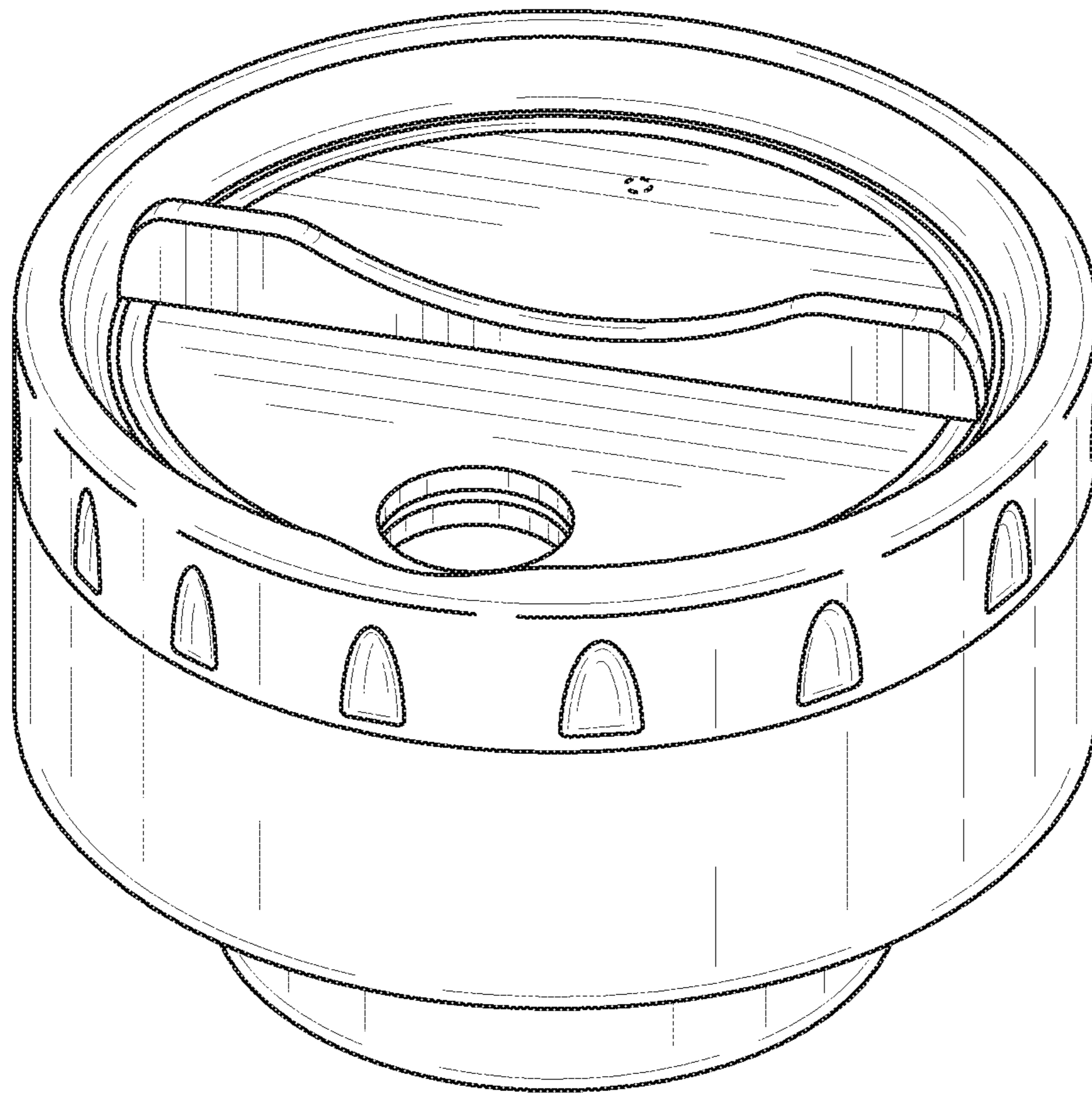


FIG. 7