

US00D821823S

(12) **United States Design Patent** (10) **Patent No.:** **US D821,823 S**
Racamier (45) **Date of Patent:** **** Jul. 3, 2018**

(54) **LUNCH BOX**
(71) Applicant: **MAPED**, Argonay (FR)
(72) Inventor: **Daniel Racamier**, La Balme de Sillingy (FR)
(**) Term: **15 Years**
(21) Appl. No.: **35/502,023**
(22) Filed: **Nov. 10, 2016**
(80) **Hague Agreement Data**
Int. Filing Date: **Nov. 10, 2016**
Int. Reg. No.: **DM/093506**
Int. Reg. Date: **Nov. 10, 2016**
Int. Reg. Pub. Date: **Dec. 2, 2016**
(51) **LOC (11) Cl.** **07-06**
(52) **U.S. Cl.**
USPC **D7/602; D7/629**
(58) **Field of Classification Search**
USPC D7/538-542, 612-615, 550.1-556,
D7/701-710, 601-609, 629;
D9/414-438, 443-455, 499, 703, 717,
D9/721
CPC B65D 81/3813; A45C 2013/026; A45C
13/26; A45C 13/02; A45C 11/20; A45C
13/10; A45C 13/005; B25H 3/02-3/028;
B25H 3/00; B25H 3/003; B25H 3/006
See application file for complete search history.

(56) **References Cited**
U.S. PATENT DOCUMENTS
D479,955 S * 9/2003 Samartgis D7/629
D489,579 S * 5/2004 Wright D7/629
D515,880 S * 2/2006 Lerner D7/629
D527,232 S * 8/2006 Hsu D7/709
D530,160 S * 10/2006 Maltese D7/629
D530,625 S * 10/2006 Darin D7/602

D593,812 S * 6/2009 Champkins D7/629
D603,664 S * 11/2009 Roefs D7/605
D605,896 S * 12/2009 Zalewski D7/553.1
D607,701 S * 1/2010 Pedrazzi D7/709
D619,432 S * 7/2010 LaBonte D3/232
D621,233 S * 8/2010 Pearson D7/710
D637,458 S * 5/2011 Harbinson D7/601
D646,587 S * 10/2011 Daniels D9/761
D655,988 S * 3/2012 Miros D7/629
D657,210 S * 4/2012 Smiedt D3/282
D660,659 S * 5/2012 Cohen D7/629
D669,742 S * 10/2012 Cohen D7/629
D682,052 S * 5/2013 Thomas D7/629
D695,575 S * 12/2013 Katz D7/629
D716,610 S * 11/2014 Ritch D7/553.1
D719,786 S * 12/2014 Kart D7/553.1
D729,018 S * 5/2015 He D7/608
D733,510 S * 7/2015 Ortiz Gispert D7/709
D738,697 S * 9/2015 Ortiz Gispert D7/709
D740,086 S * 10/2015 Ortiz Gispert D7/709
D743,751 S * 11/2015 Stokke D7/629
D750,427 S * 3/2016 Kautto D7/392.1
D763,629 S * 8/2016 Swartz D7/629
D766,668 S * 9/2016 Garcia D7/608
D772,700 S * 11/2016 Ladd D9/426
D790,933 S * 7/2017 Solly D7/607

(Continued)

Primary Examiner — Richard E Chilcot

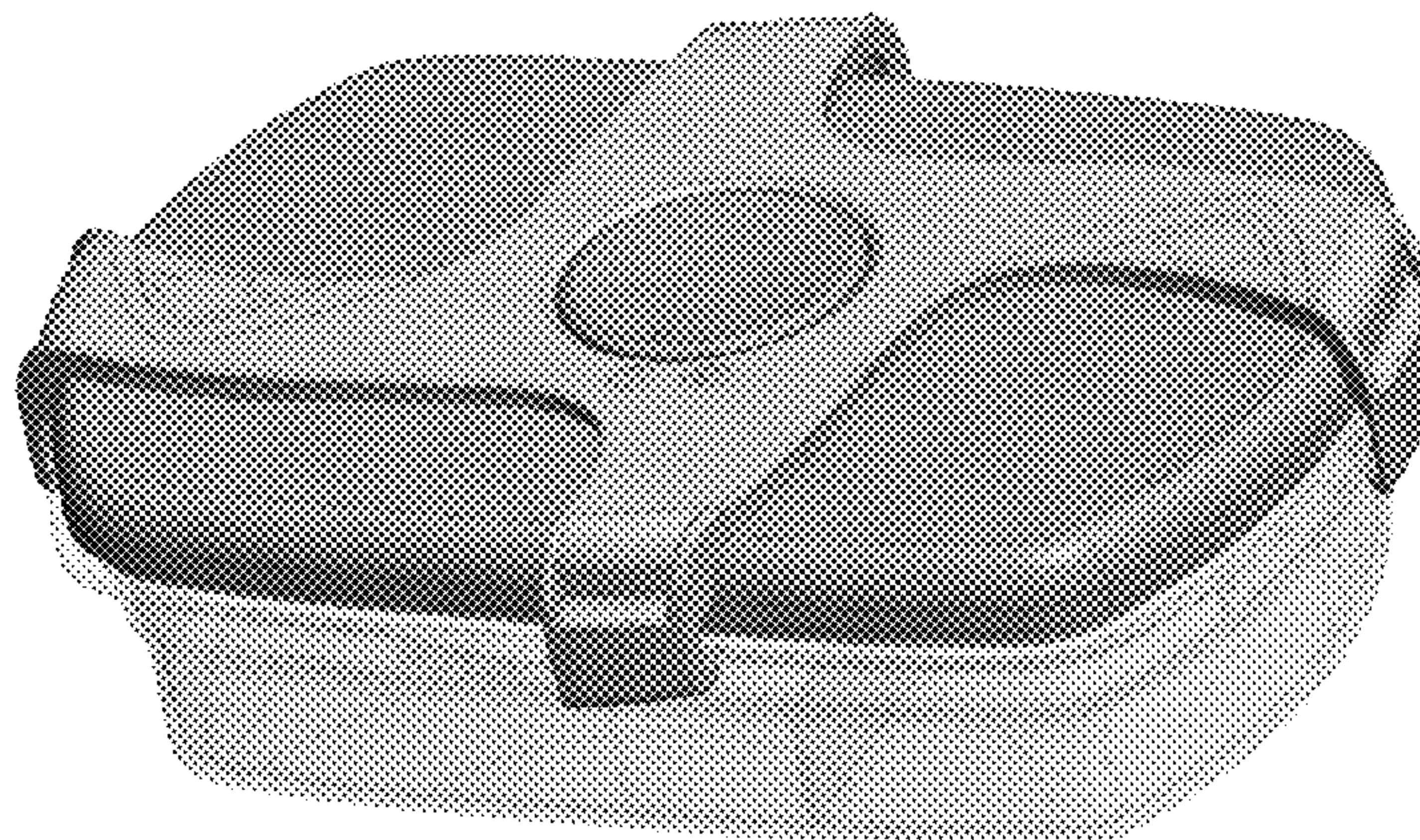
(57) **CLAIM**

The ornamental design for a lunch box, as shown and described.

DESCRIPTION

1. Lunch box
FIG. 1.1 is an isometric front view of the design.
FIG. 1.2 is another isometric rear side view of the design.
FIG. 1.3 is a front view of the design.
FIG. 1.4 is a back view of the design.
FIG. 1.5 is a top view of the design.
FIG. 1.6 is a bottom view of the design.
FIG. 1.7 is a right side view of the design.
FIG. 1.8 is a left side view of the design.

1 Claim, 8 Drawing Sheets



(56)

References Cited

U.S. PATENT DOCUMENTS

D796,251 S	*	9/2017	Dodane	D7/360
D796,919 S	*	9/2017	Janowitz	D3/295
D796,920 S	*	9/2017	Staton	D7/629
D800,511 S	*	10/2017	Wong	D7/629

* cited by examiner

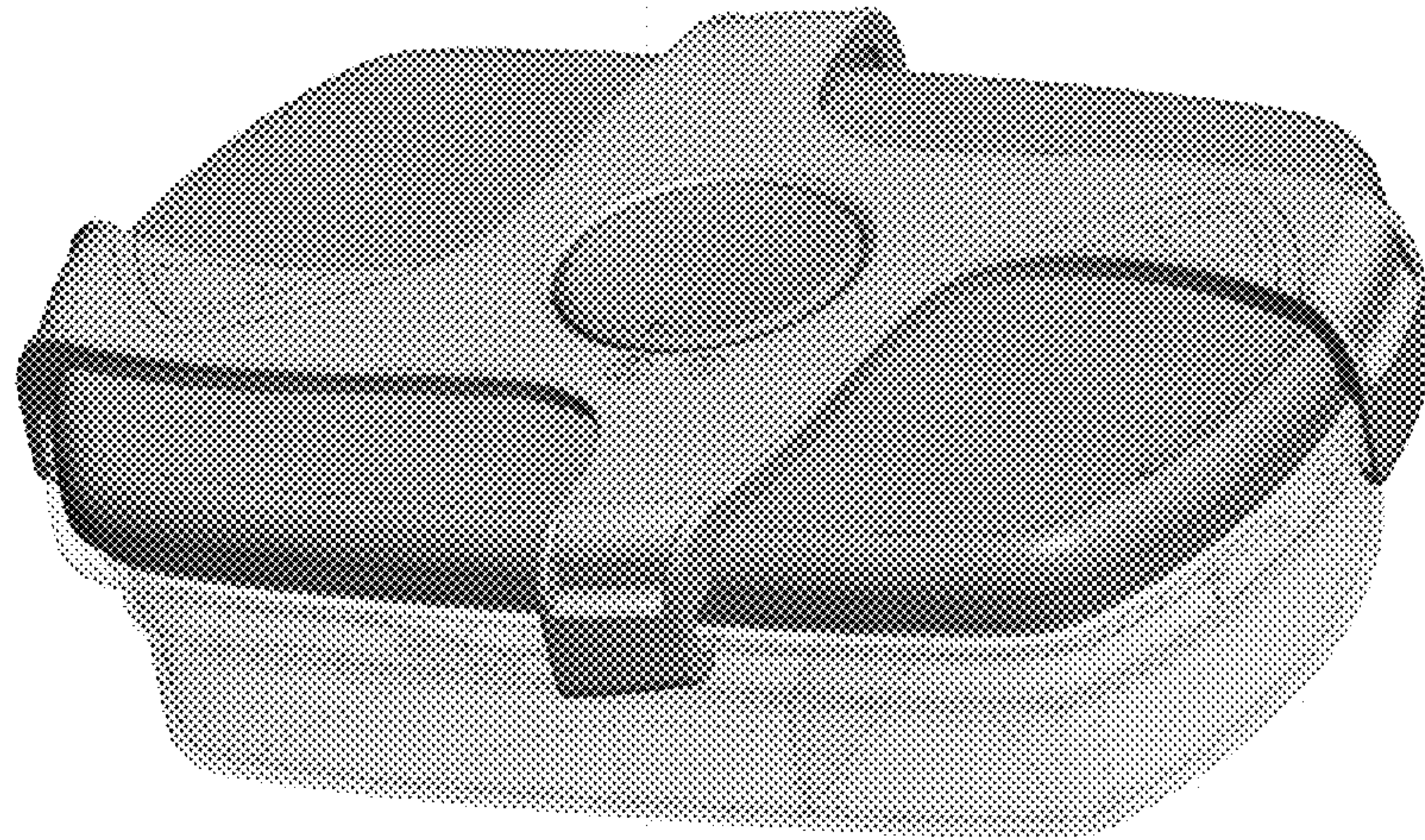


FIG. 1.1



FIG. 1.2

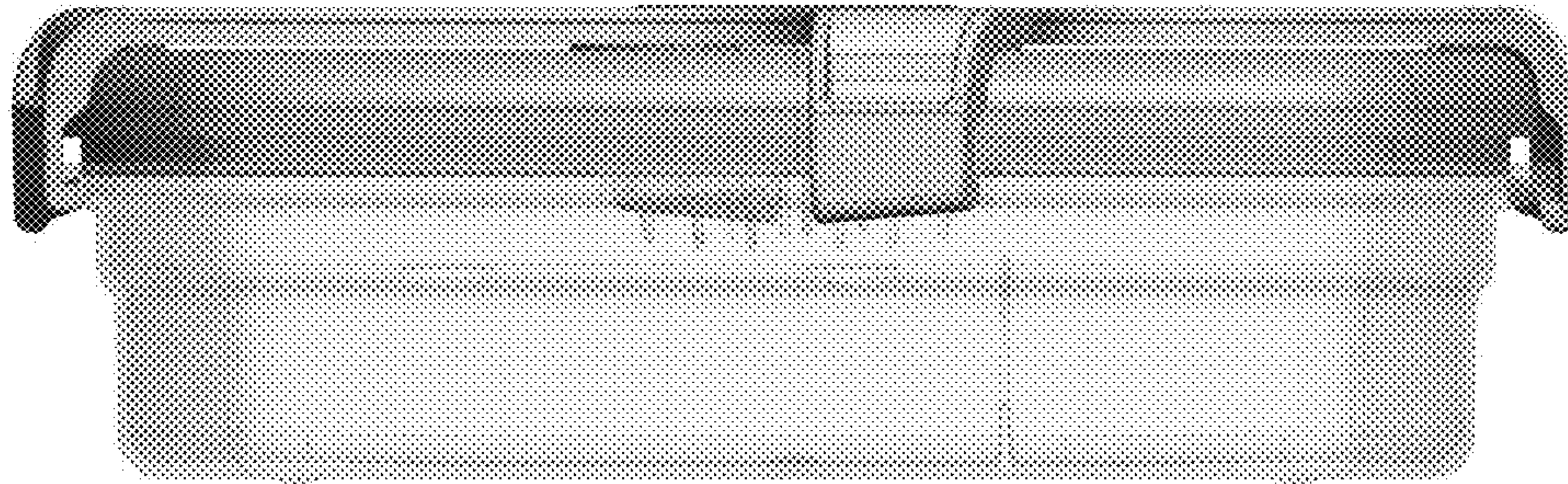


FIG. 1.3



FIG. 1.4

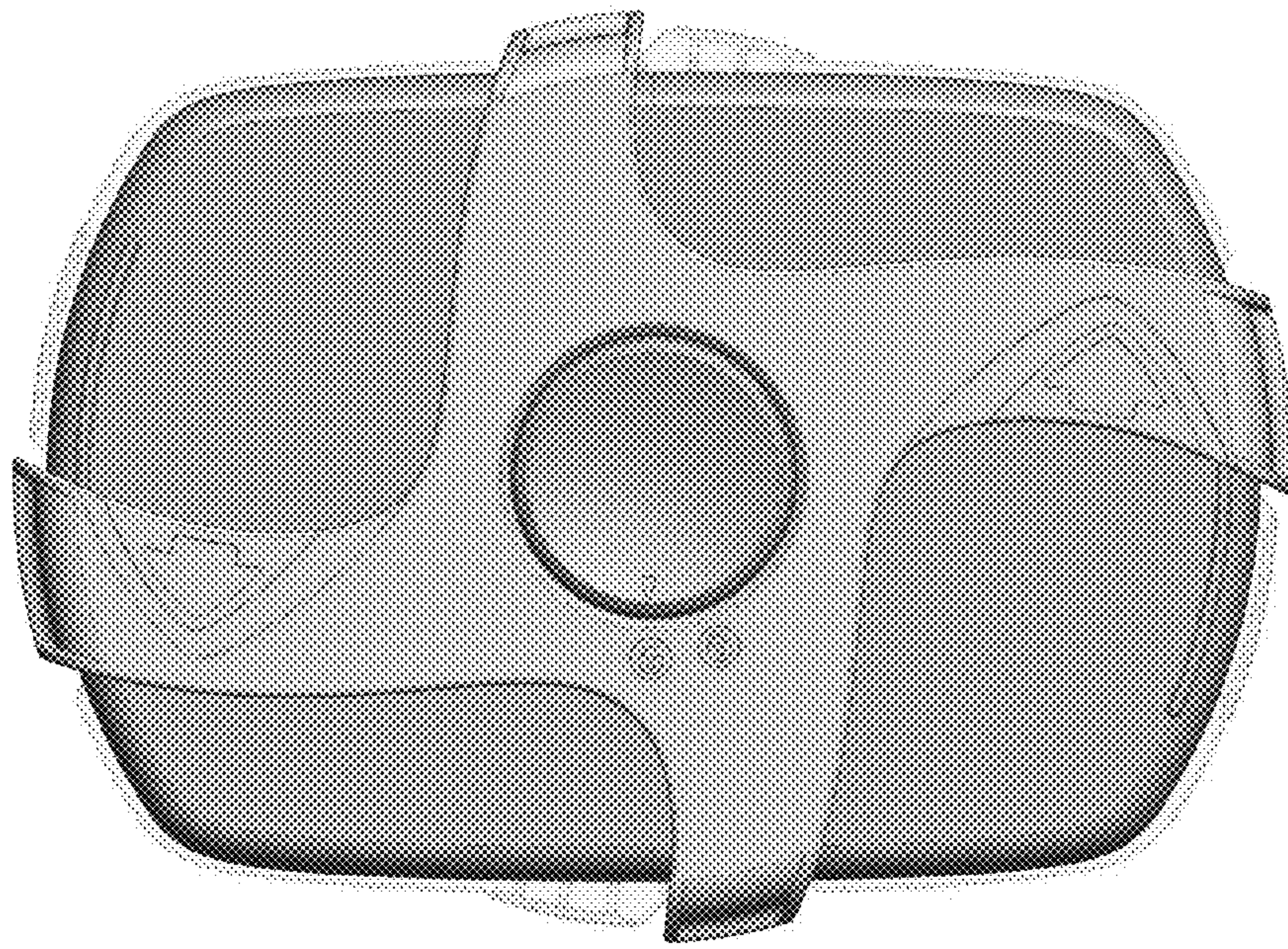


FIG. 1.5

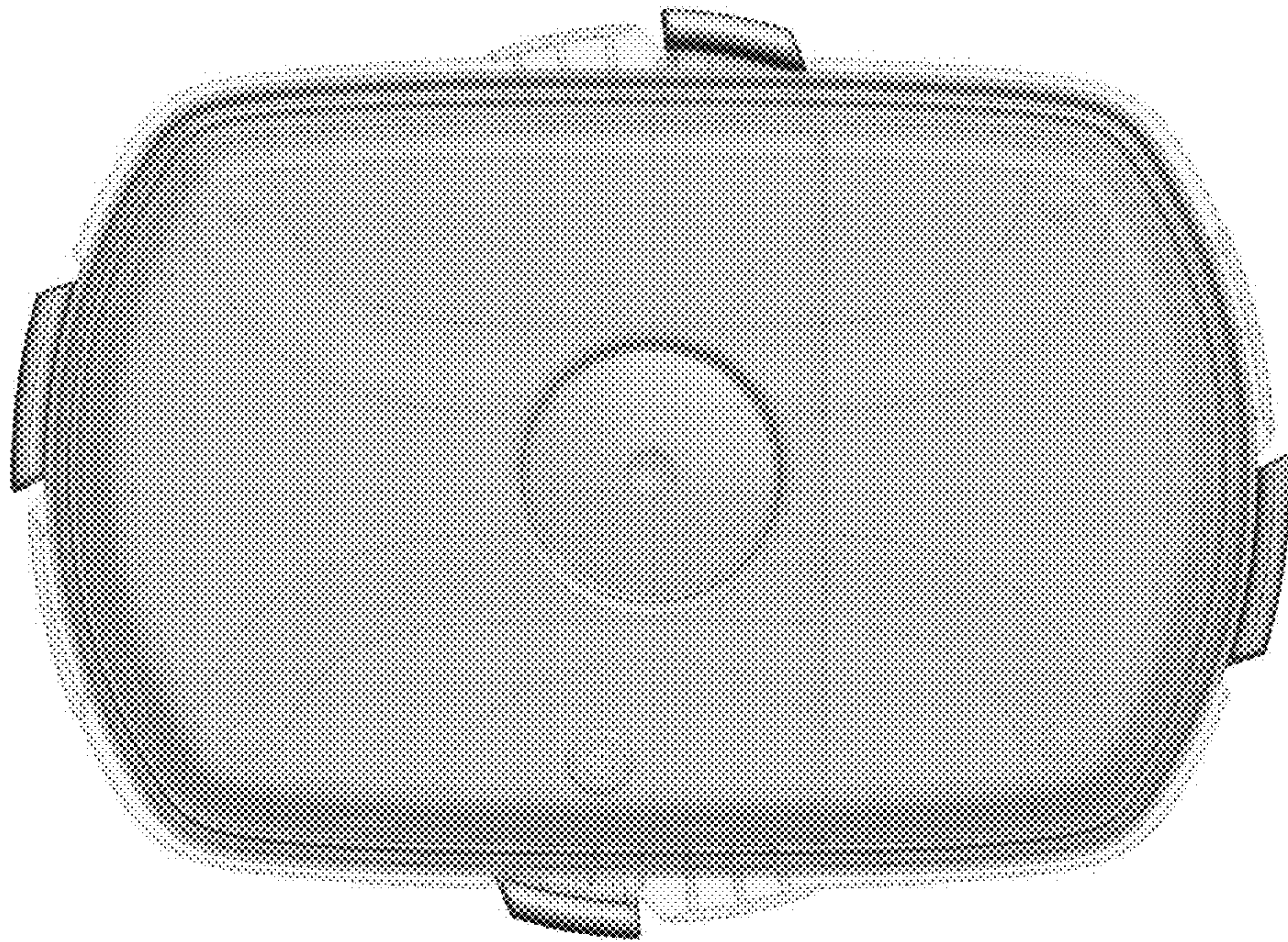


FIG. 1.6

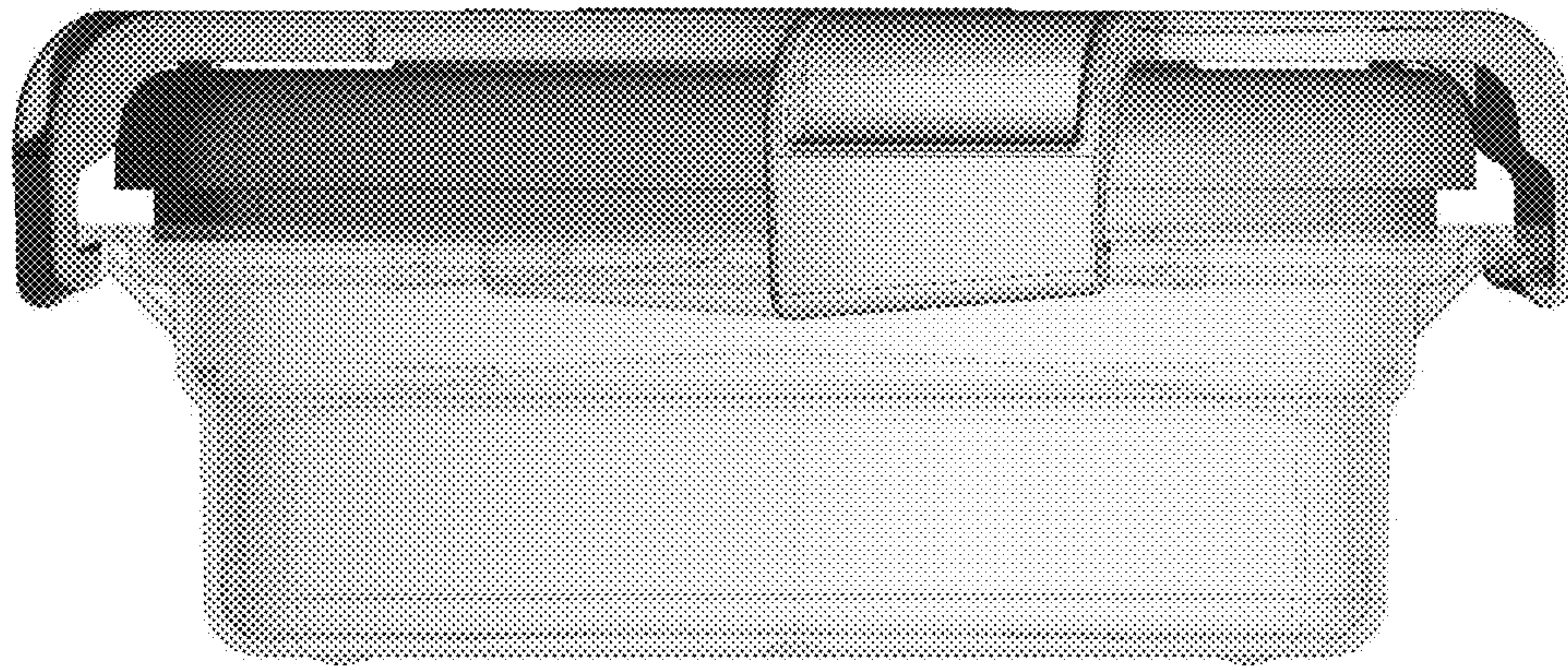


FIG. 1.7

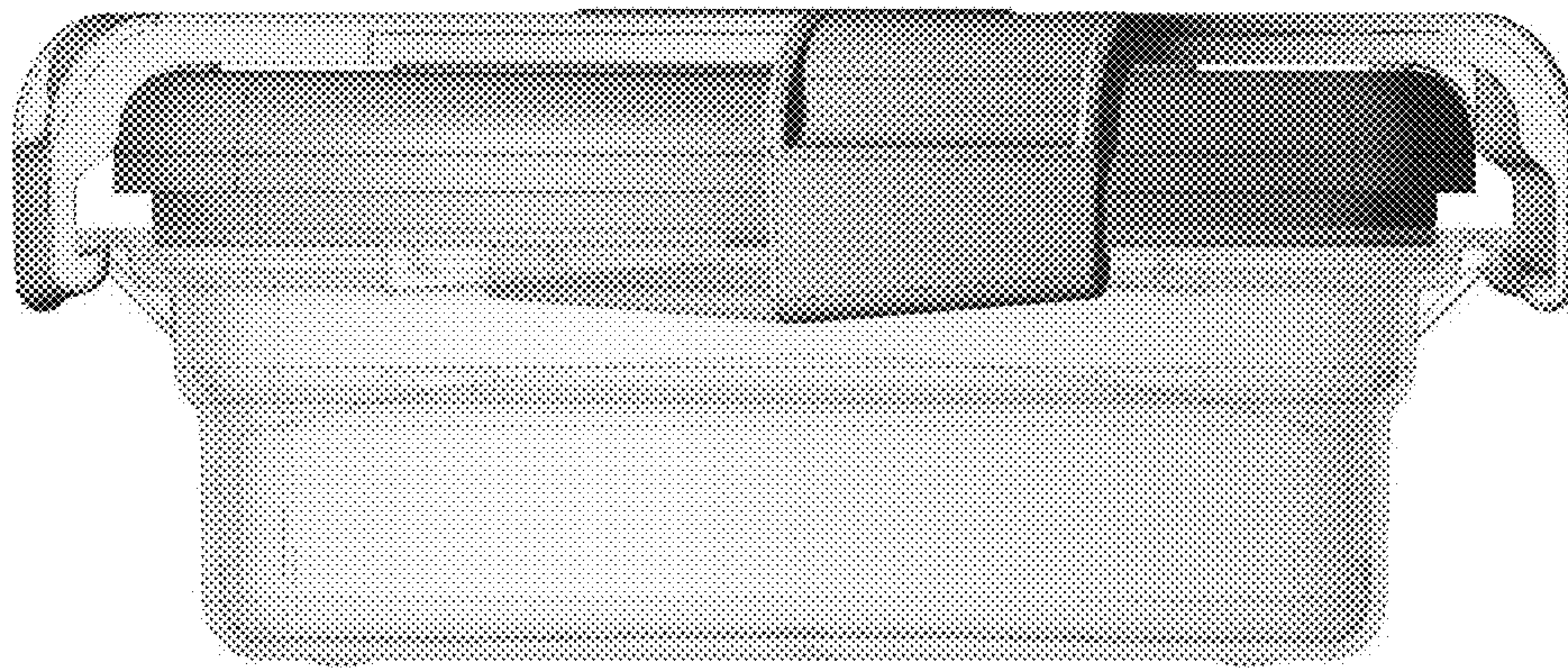


FIG. 1.8