



US00D821822S

(12) **United States Design Patent** (10) **Patent No.:** **US D821,822 S**  
**Brown** (45) **Date of Patent:** **\*\* Jul. 3, 2018**

(54) **CONTAINER**  
(71) Applicant: **Pa Brown**, Fitchburg, MA (US)  
(72) Inventor: **Pa Brown**, Fitchburg, MA (US)  
(\*\*) Term: **15 Years**  
(21) Appl. No.: **29/590,839**  
(22) Filed: **Jan. 13, 2017**  
(51) **LOC (11) Cl.** ..... **07-07**  
(52) **U.S. Cl.**  
USPC ..... **D7/602**  
(58) **Field of Classification Search**  
USPC ..... D7/629, 630, 601, 602, 538-542, 612,  
D7/608, 300, 312, 316, 323, 353, 900,  
D7/387, 368, 388, 397, 402, 403, 412,  
D7/500, 550.1, 552.1, 552.2, 553.1,  
D7/553.2, 553.3, 554.4, 555, 708;  
D9/424-433, 445, 500, 501, 503, 504,  
D9/516, 549, 575, 415-419, 737, 761,  
D9/760, 759, 756, 479, 478, 420, 421  
CPC ..... B65D 85/50; B65D 85/505; B65D 85/52;  
B65D 43/02; B65D 1/26; B65D 43/0206;  
B65D 43/0214; B65D 81/18; B65D  
53/00; B65D 43/163; B65D 21/0219;  
B65D 25/04; B65D 21/0233; B65D  
25/18; A47J 47/01; A47J 42/14; A47J  
42/34; A47J 42/50; A47J 47/02; A47J  
47/08; A47J 47/10  
See application file for complete search history.

(56) **References Cited**

**U.S. PATENT DOCUMENTS**

D150,045 S \* 6/1948 Zaikaner ..... D7/629  
2,768,667 A \* 10/1956 Hill ..... B65D 1/26  
206/518  
D212,594 S \* 11/1968 Collie ..... D9/425  
D241,599 S \* 9/1976 Croyle et al. .... D7/629

D246,561 S \* 12/1977 Stahel ..... D7/629  
4,412,630 A \* 11/1983 Daenen ..... B65D 43/0218  
220/792  
D336,018 S \* 6/1993 Smith ..... D7/629  
D346,935 S \* 5/1994 Friese ..... D7/601  
D351,765 S \* 10/1994 Beeler ..... D7/538  
6,305,546 B1 \* 10/2001 Saunders ..... B65D 1/36  
206/459.1  
7,357,273 B1 \* 4/2008 Lutz ..... A47J 36/027  
220/366.1  
D630,901 S \* 1/2011 Samartgis ..... D7/602  
D646,119 S \* 10/2011 Deuber ..... D7/400  
D669,313 S \* 10/2012 Paladino ..... D7/602  
D688,941 S \* 9/2013 Sifuentes ..... D7/602  
D696,907 S \* 1/2014 Everingham ..... D7/587  
D697,372 S \* 1/2014 Everingham ..... D7/587  
D738,718 S \* 9/2015 Yang ..... D9/425  
D753,992 S \* 4/2016 Shiffer ..... D9/425  
D759,478 S \* 6/2016 Fife ..... D9/425  
D772,059 S \* 11/2016 Urushidani ..... D7/602  
2001/0047997 A1 \* 12/2001 Laib ..... A47J 47/06  
220/676

(Continued)

*Primary Examiner* — Shannon W Morgan  
(74) *Attorney, Agent, or Firm* — Brian M. Dingman;  
Dingman IP Law, PC

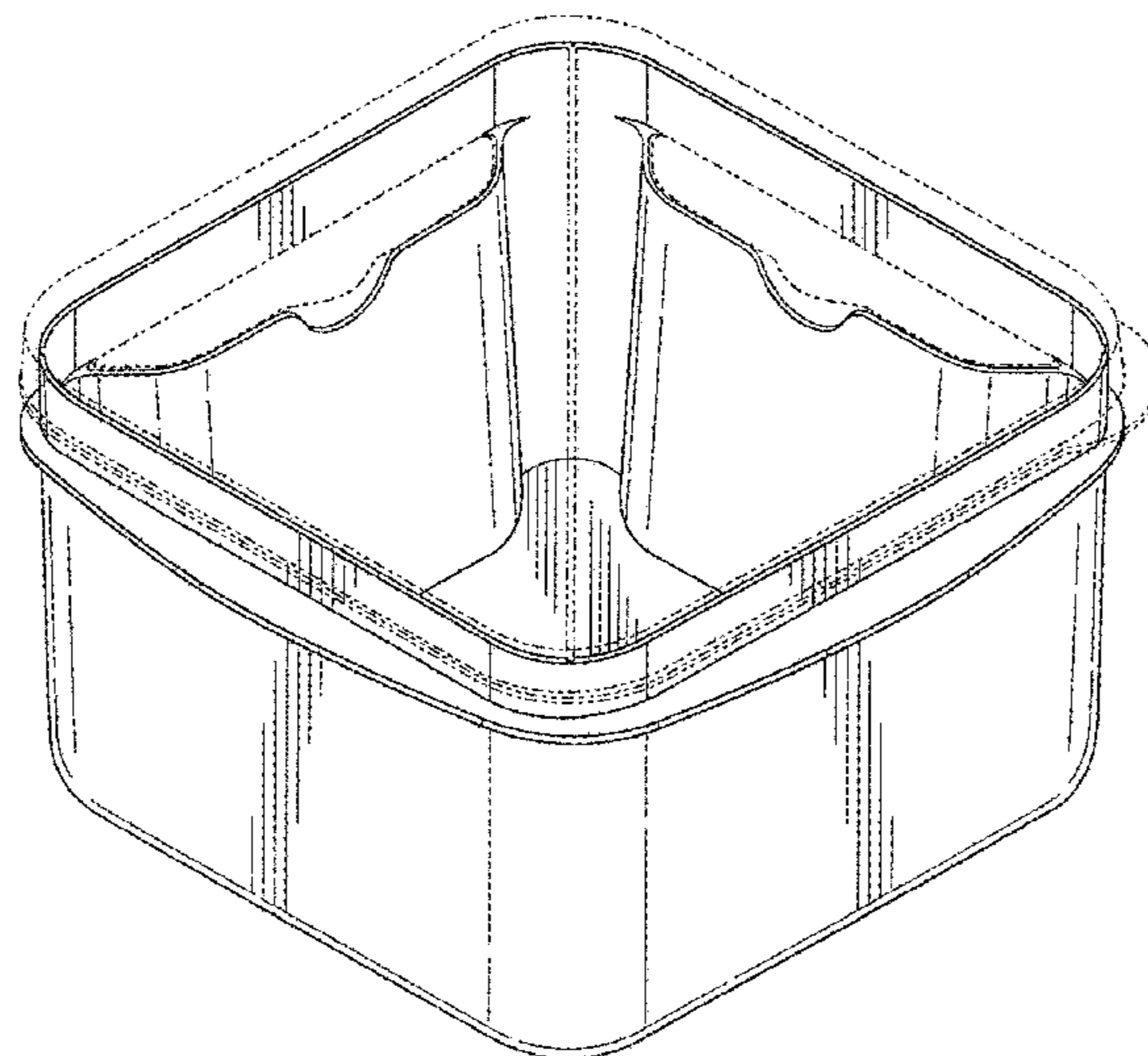
(57) **CLAIM**

I claim the ornamental design for a container, as shown and described.

**DESCRIPTION**

FIG. 1 is a front, top perspective view of a container showing the new design;  
FIG. 2 is a front elevational view thereof; the rear, left, and right side elevational views being identical mirror images thereof;  
FIG. 3 is a top plan view thereof; and,  
FIG. 4 is a bottom plan view thereof.  
The broken lines in the figures depict portions of the container that form no part of the claimed design.

**1 Claim, 4 Drawing Sheets**



(56)

**References Cited**

U.S. PATENT DOCUMENTS

2002/0157984 A1\* 10/2002 Brown ..... B65D 1/26  
206/497  
2002/0158370 A1\* 10/2002 Borst ..... B29C 51/32  
264/553  
2004/0011794 A1\* 1/2004 Heil ..... A23B 7/152  
220/371  
2004/0144781 A1\* 7/2004 Dees ..... B65D 11/188  
220/4.24  
2009/0120937 A1\* 5/2009 Vovan ..... B65D 43/0206  
220/266  
2013/0055903 A1\* 3/2013 Deuber ..... B65D 85/8043  
99/295  
2016/0000271 A1\* 1/2016 Park ..... B65D 81/2038  
220/203.29  
2017/0247141 A1\* 8/2017 Gosen ..... B65D 21/0223  
2017/0305616 A1\* 10/2017 Barbier ..... B65D 43/163  
2017/0305632 A1\* 10/2017 Brown ..... B65D 81/18

\* cited by examiner

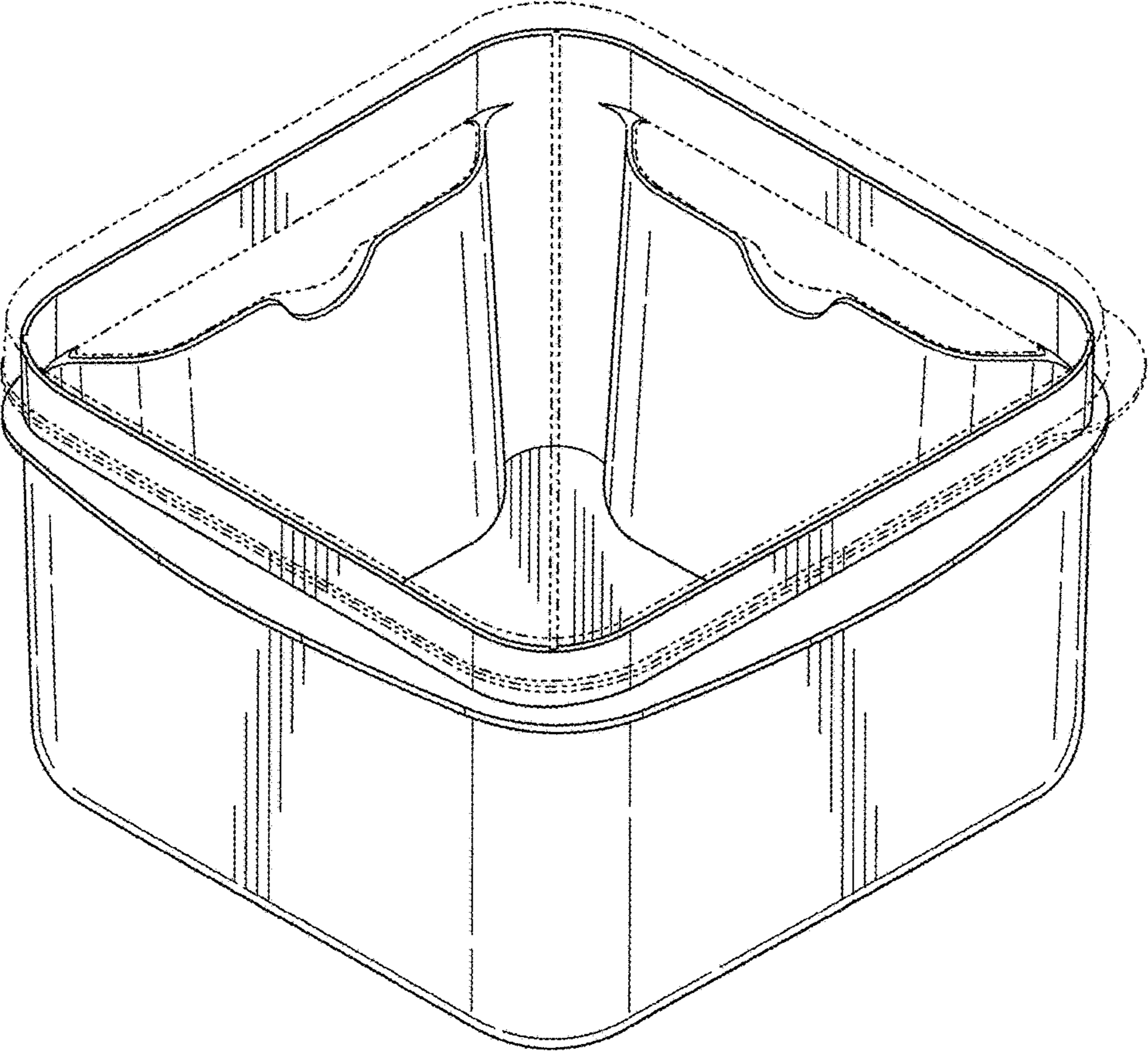


FIG. 1

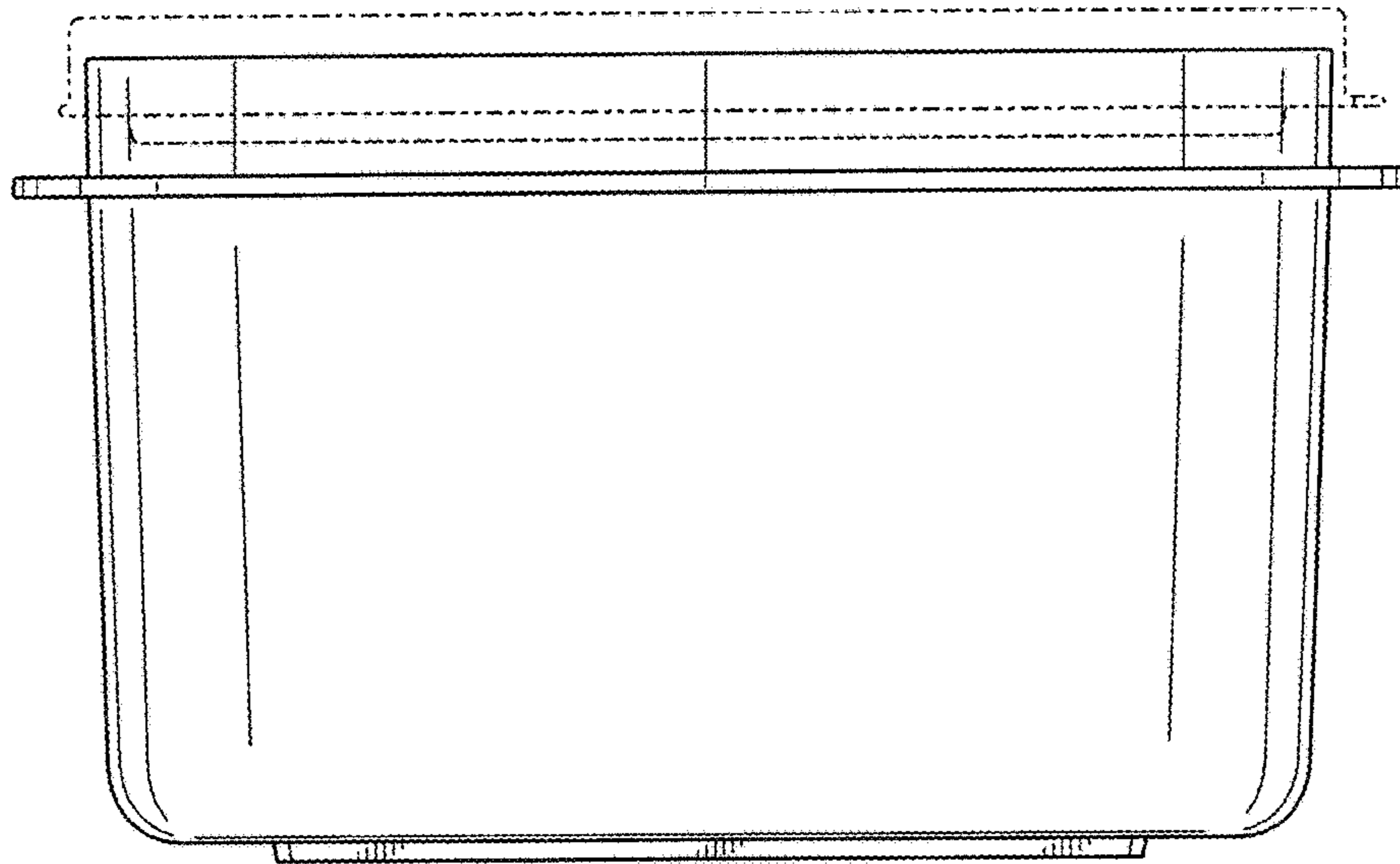


FIG. 2

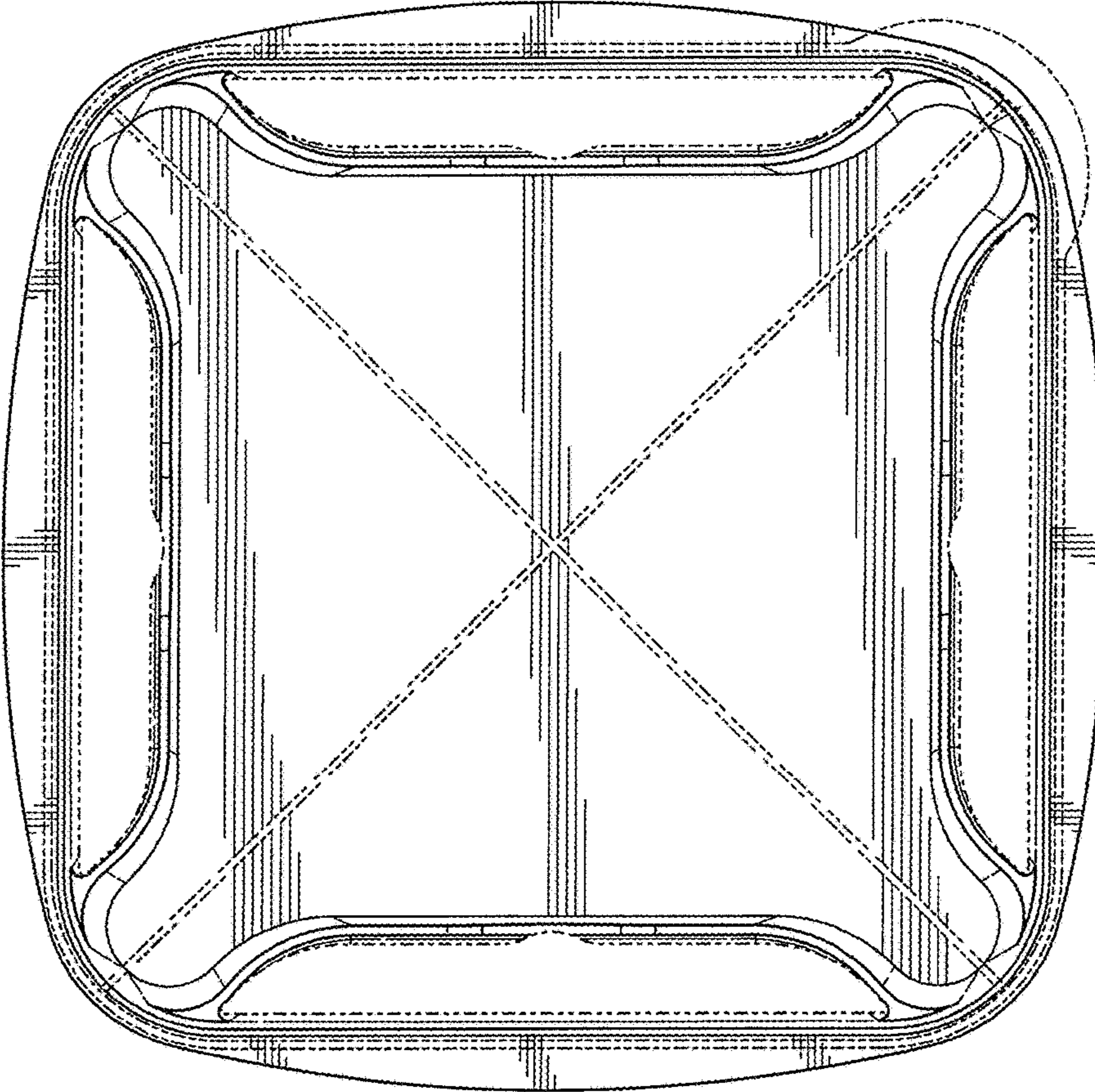


FIG. 3

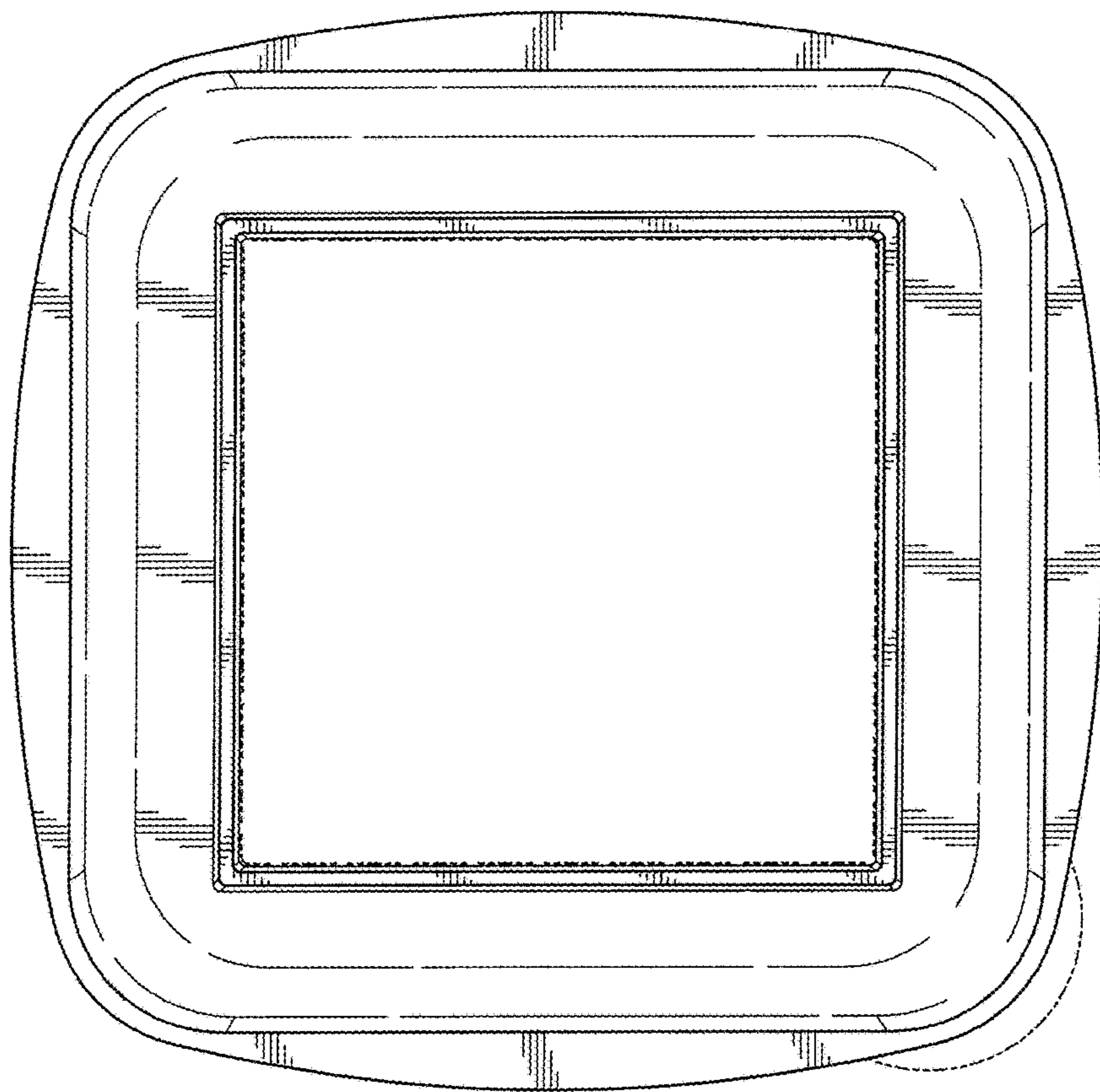


FIG. 4