



US00D821815S

(12) **United States Design Patent**  
**Chung**

(10) **Patent No.:** **US D821,815 S**

(45) **Date of Patent:** **\*\* Jul. 3, 2018**

(54) **TUMBLER BOTTLE**

(71) Applicants: **THERMOS L.L.C.**, Schaumburg, IL  
(US); **THERMOS KOREA CO., LTD.**, Seoul (KR)

(72) Inventor: **Soo Chung**, Seoul (KR)

(73) Assignees: **THERMOS L.L.C.**, Schaumburg, IL  
(US); **THERMOS KOREA CO., LTD.**  
(KR)

(\*\*) Term: **15 Years**

(21) Appl. No.: **29/575,655**

(22) Filed: **Aug. 26, 2016**

(30) **Foreign Application Priority Data**

Mar. 25, 2016 (KR) ..... 30-2016-0014097

(51) **LOC (11) Cl.** ..... **07-01**

(52) **U.S. Cl.**  
USPC ..... **D7/510; D7/511; D7/534**

(58) **Field of Classification Search**  
USPC ..... D7/507, 509, 510, 511, 523, 529, 530,  
D7/531, 532, 533, 534, 535, 536, 608,  
D7/392.1, 396.2, 396.4, 387, 394, 515;  
D9/434, 450; D10/46.2; D24/197, 199;  
220/592.16, 592.17  
CPC ..... A47G 19/22; A47G 19/2205; A47G  
19/2227; A47G 19/2266; A47F 3/16;  
B65D 47/066  
See application file for complete search history.

(56) **References Cited**

**U.S. PATENT DOCUMENTS**

D425,994 S \* 5/2000 Hakim ..... D24/197  
D455,611 S \* 4/2002 Kitamura ..... D7/608  
D460,322 S \* 7/2002 Orr ..... D7/510

D485,132 S \* 1/2004 Ohno ..... D7/608  
D588,411 S \* 3/2009 Watanabe ..... D7/507  
D592,012 S \* 5/2009 Carreno ..... D7/510  
D596,460 S \* 7/2009 Nezu ..... D7/510  
D641,631 S \* 7/2011 Kawahara ..... D7/510  
D642,867 S \* 8/2011 Miller ..... D24/197  
D668,509 S \* 10/2012 Beugelsdijk ..... D7/400  
D674,497 S \* 1/2013 Smith ..... D24/197  
D681,217 S \* 4/2013 Smith ..... D24/197  
D683,589 S \* 6/2013 Itzek ..... D7/510  
D718,090 S \* 11/2014 Roehrig ..... D7/510  
D747,146 S \* 1/2016 Struckmeier ..... D7/510  
D761,058 S \* 7/2016 Ou ..... D7/510  
D795,011 S \* 8/2017 Pisarevsky ..... D7/507

\* cited by examiner

*Primary Examiner* — Marianne Pandozzi

*Assistant Examiner* — Jae Liang

(74) *Attorney, Agent, or Firm* — Polsinelli PC

(57) **CLAIM**

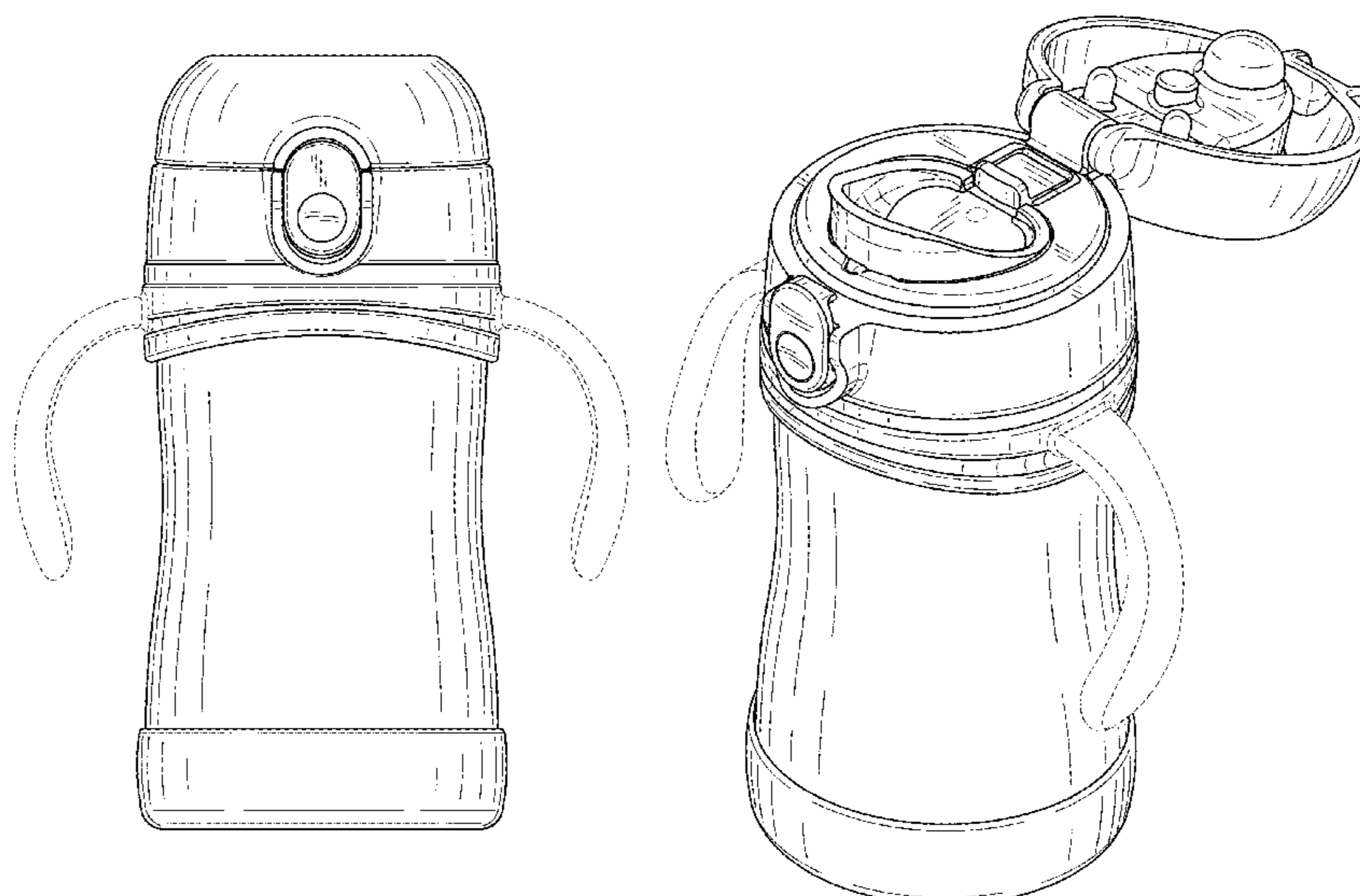
The ornamental design for a tumbler bottle, as shown and described.

**DESCRIPTION**

FIG. 1 is a perspective view of the tumbler bottle;  
FIG. 2 is a front view of the tumbler bottle;  
FIG. 3 is a rear view of the tumbler bottle;  
FIG. 4 is a right side view of the tumbler bottle;  
FIG. 5 is a left side view of the tumbler bottle;  
FIG. 6 is a top view of the tumbler bottle;  
FIG. 7 is a bottom view of the tumbler bottle; and,  
FIG. 8 is a perspective view of the tumbler bottle with the lid open.

The broken lines showing in the figures are included for the purpose of illustrating portions of the tumbler bottle that form no part of the claimed design. The dash-dot lines showing in the figures are included for defining the bounds of the claimed design that form no part thereof.

**1 Claim, 6 Drawing Sheets**



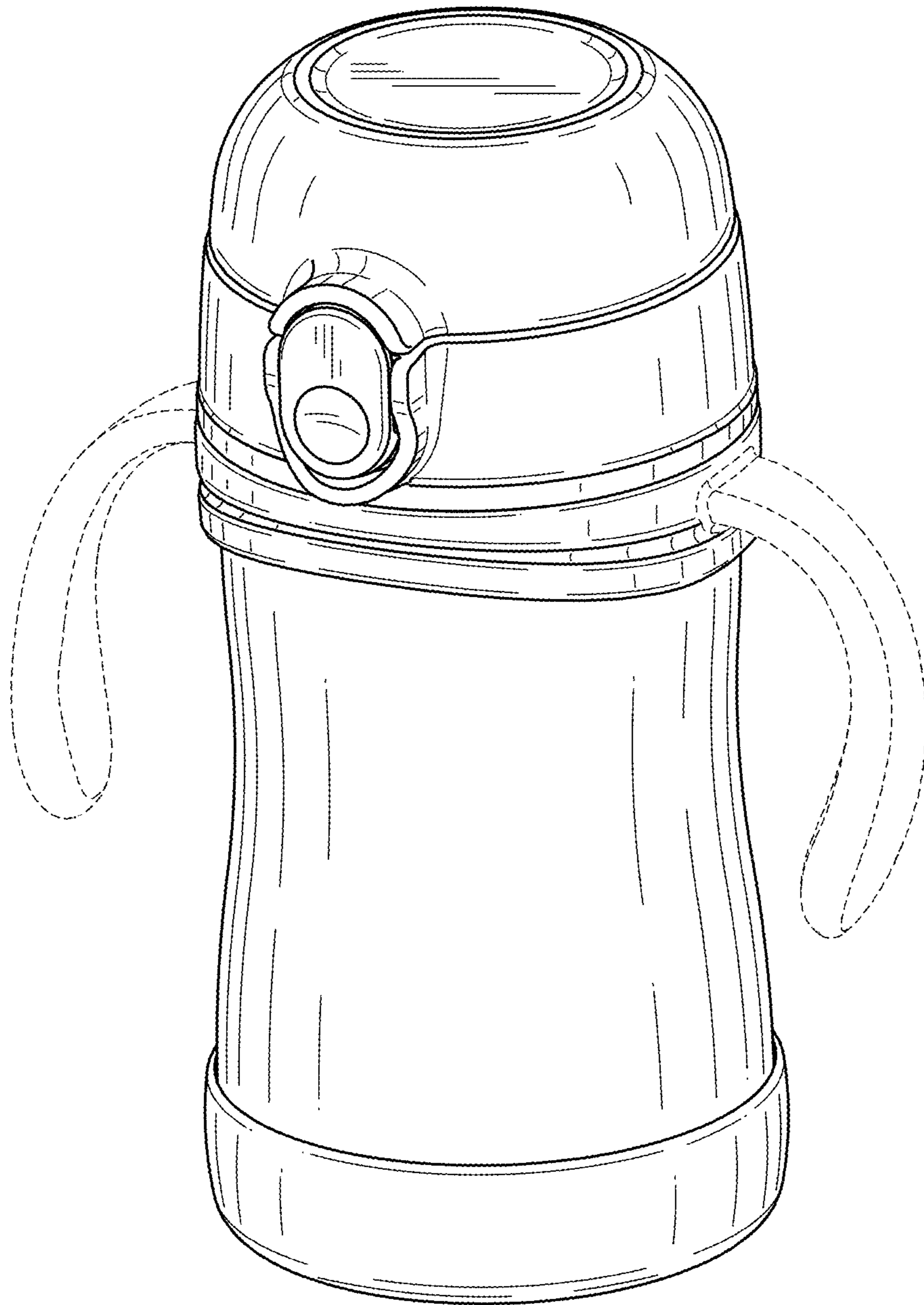


FIG. 1

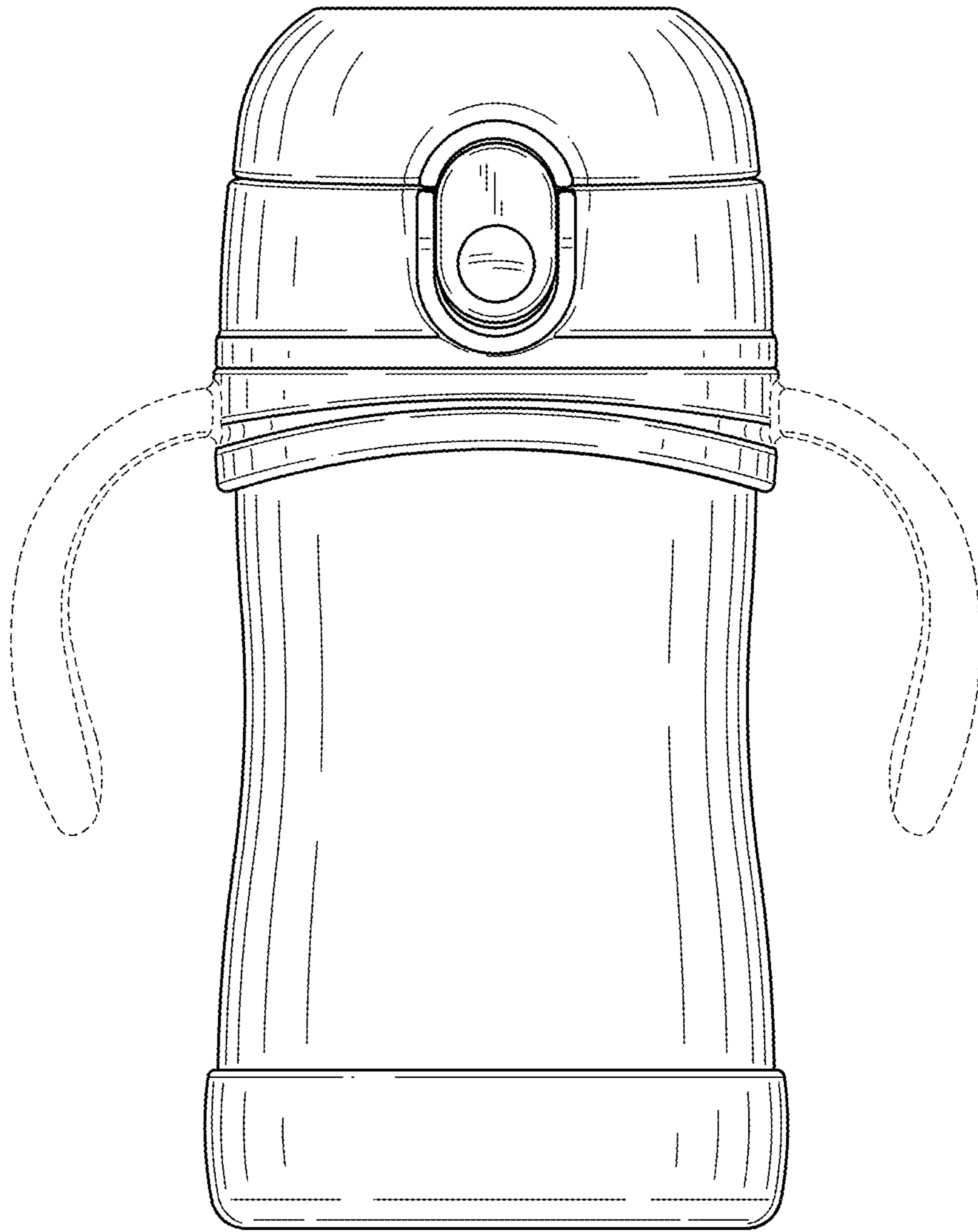


FIG. 2

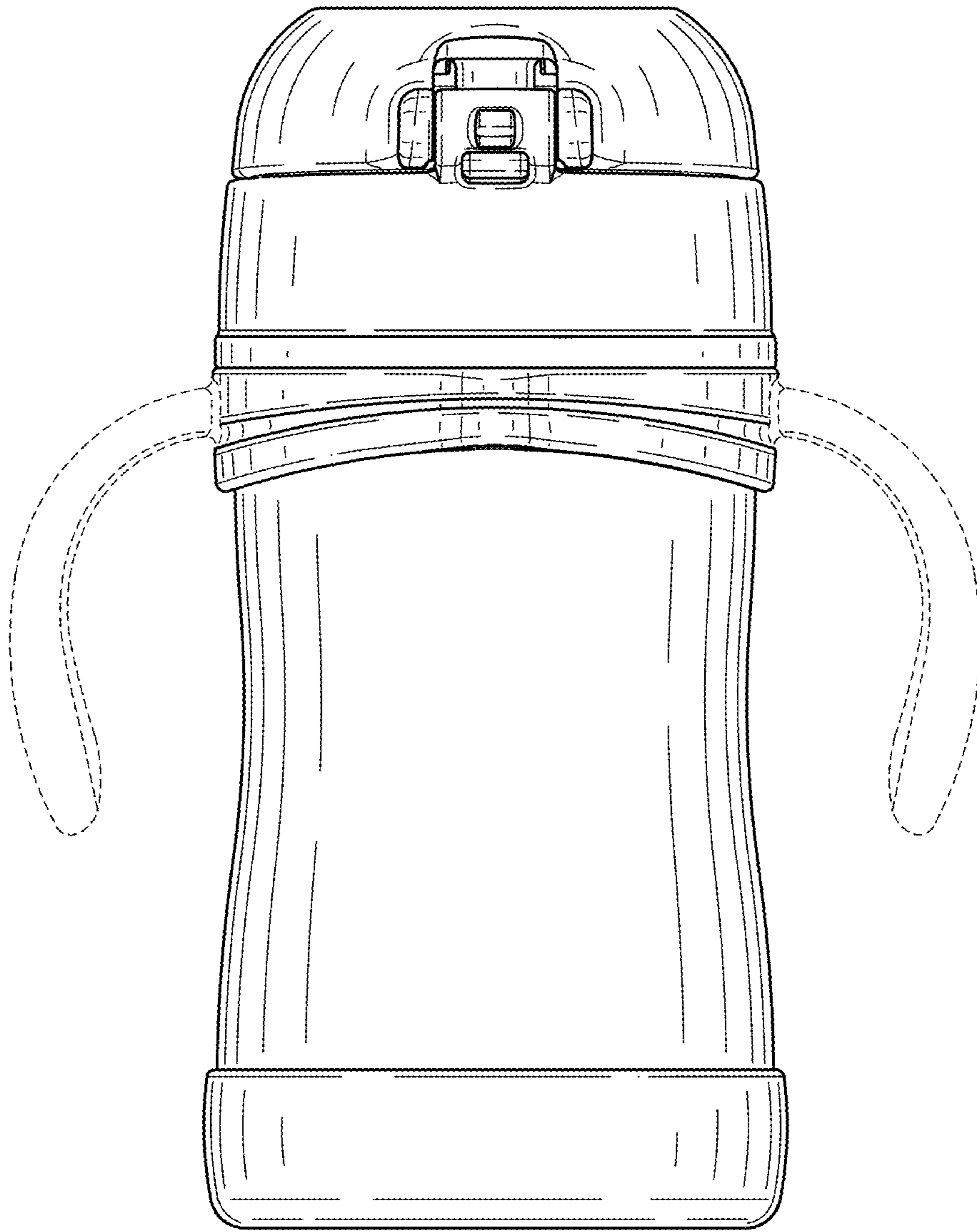


FIG. 3

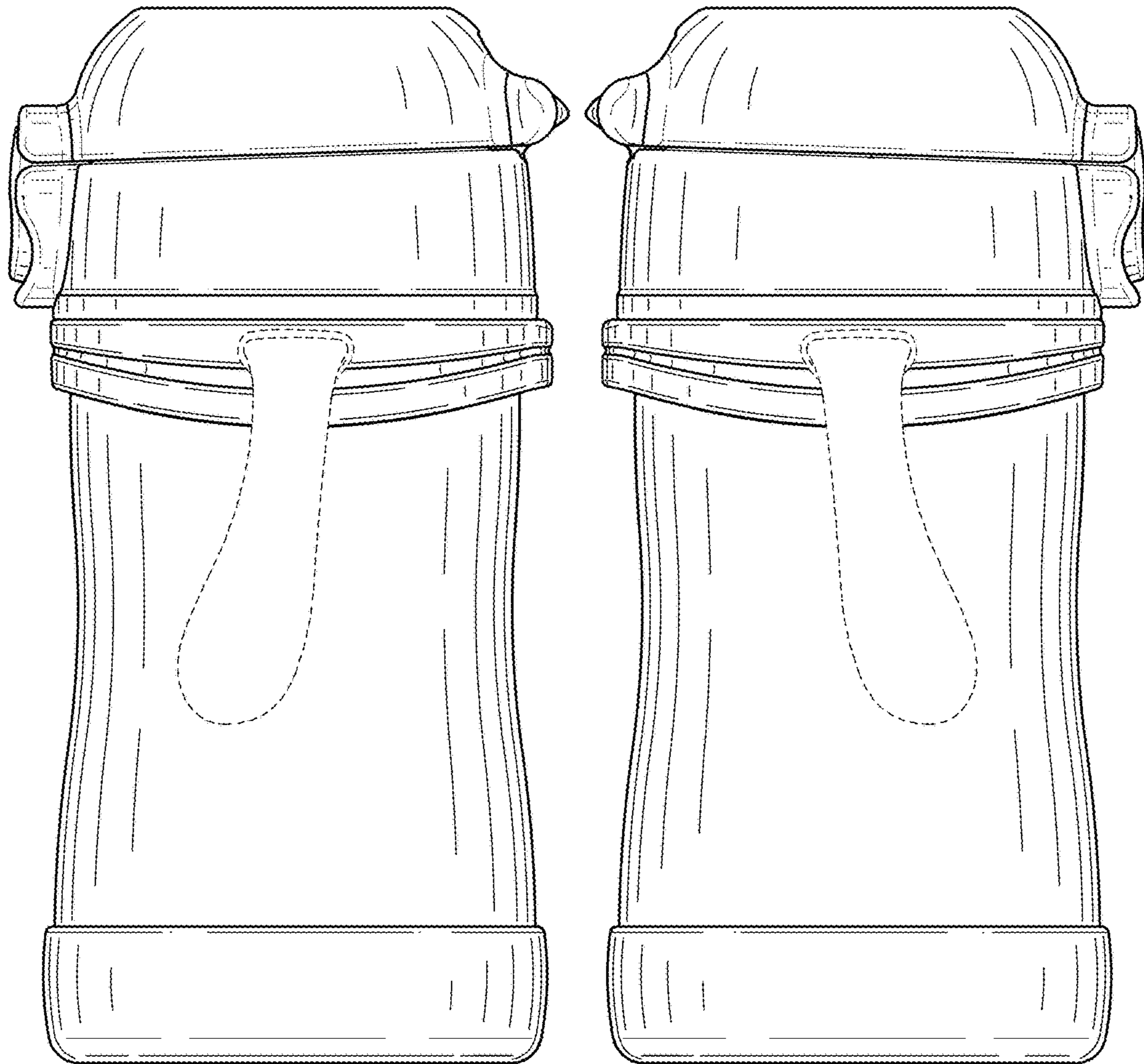


FIG. 4

FIG. 5

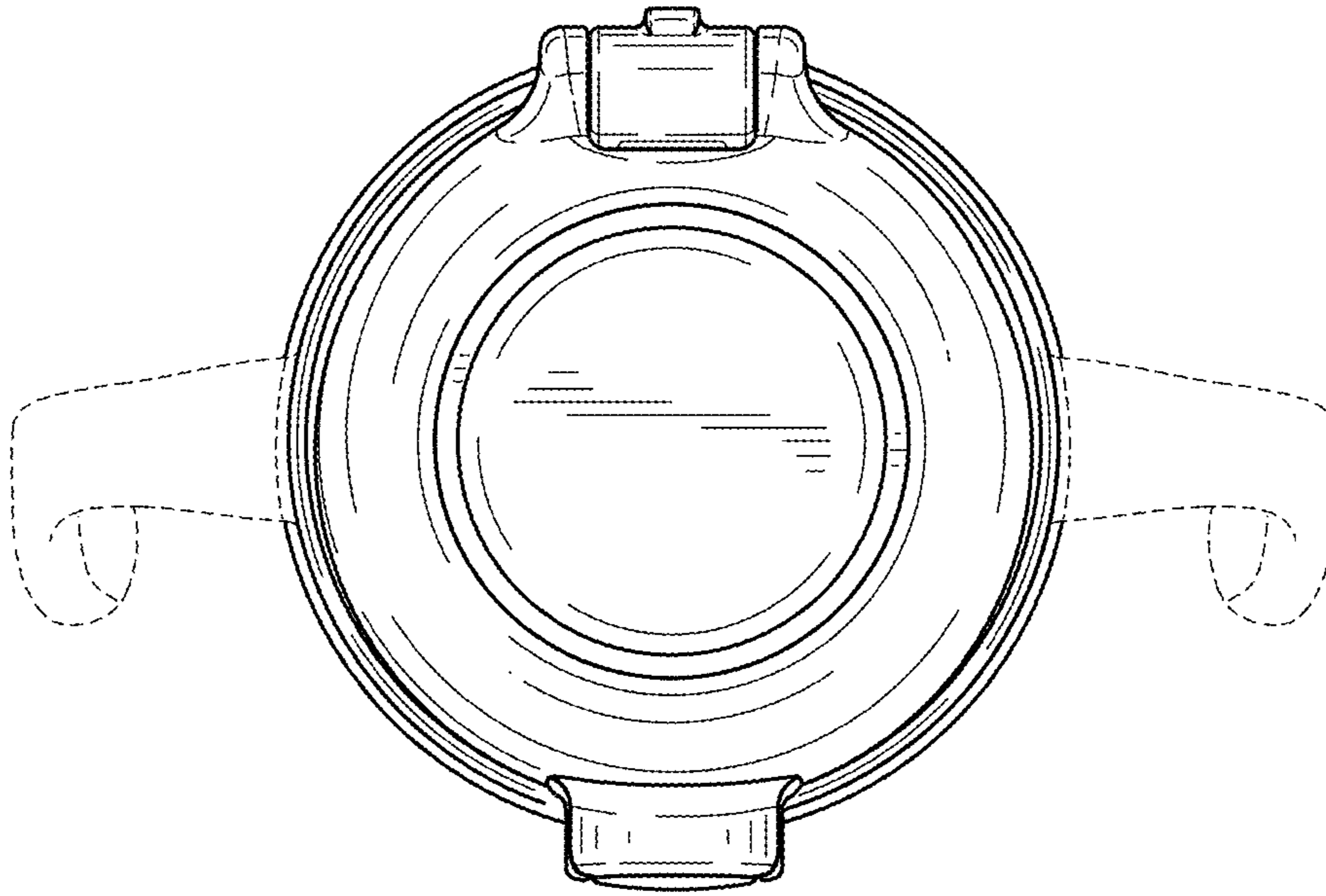


FIG. 6

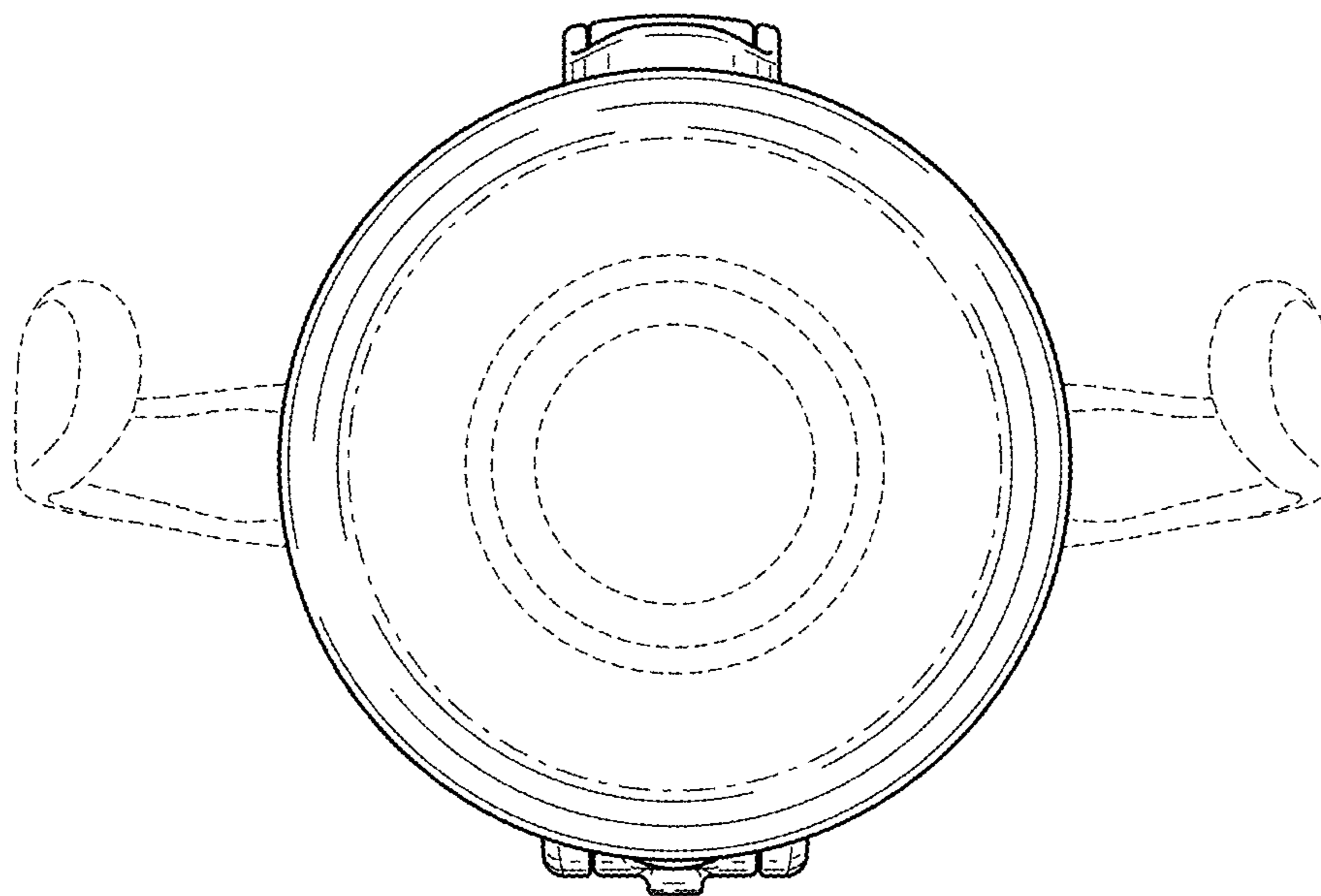


FIG. 7

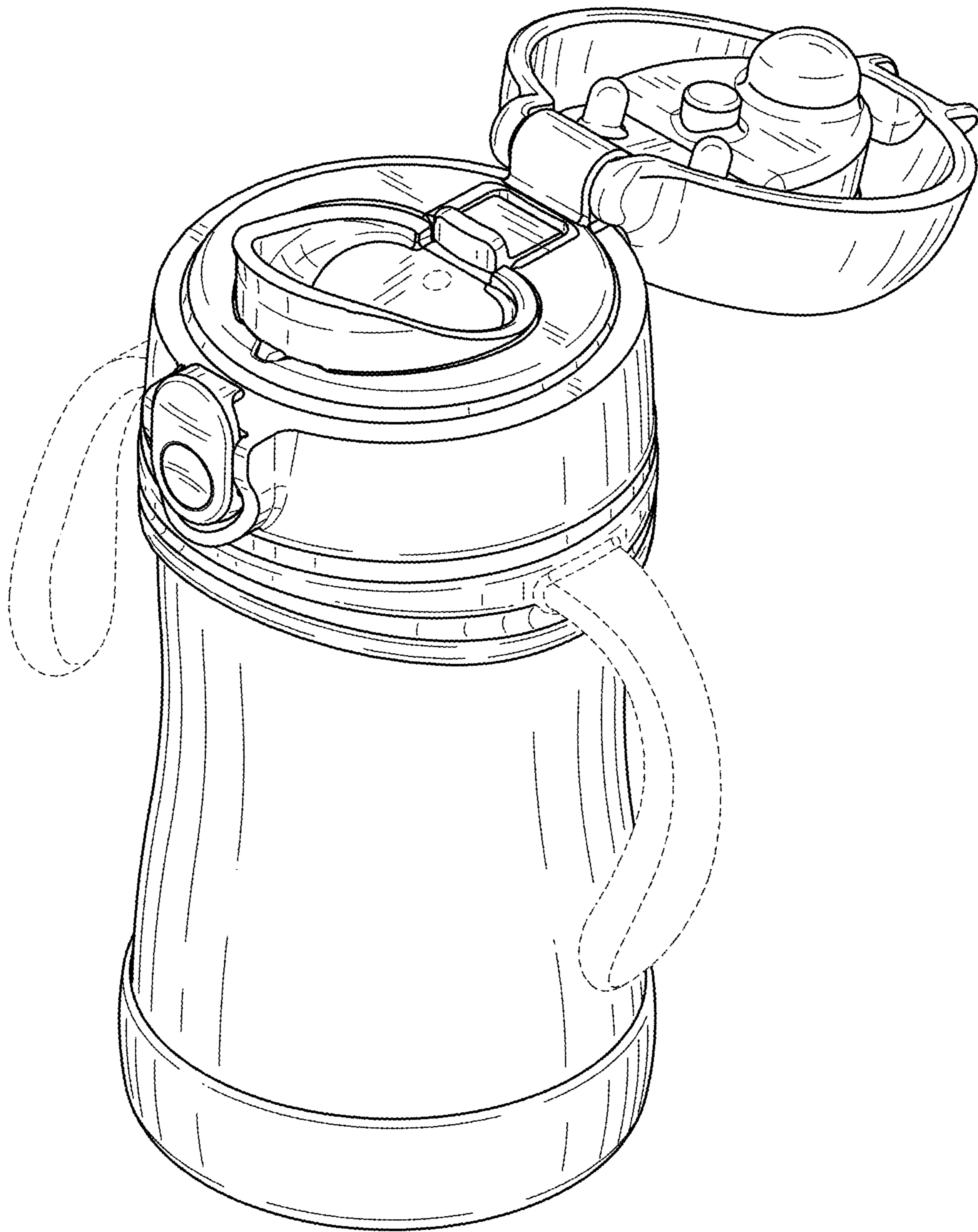


FIG. 8