



US00D821812S

(12) **United States Design Patent**
Kim et al.

(10) **Patent No.:** **US D821,812 S**
(45) **Date of Patent:** **** Jul. 3, 2018**

(54) **MICROWAVE**

(71) Applicant: **Samsung Electronics Co., Ltd.**,
Suwon-si (KR)

(72) Inventors: **Jaejun Kim**, Seoul (KR); **Seungwook Suh**, Goyang-si (KR)

(73) Assignee: **SAMSUNG ELECTRONICS CO., LTD.**, Gyeonggi-Do (KR)

(**) Term: **15 Years**

(21) Appl. No.: **29/568,750**

(22) Filed: **Jun. 21, 2016**

(30) **Foreign Application Priority Data**

Dec. 22, 2015 (KR) 30-2015-0065440

(51) **LOC (11) Cl.** **07-02**

(52) **U.S. Cl.**
USPC **D7/405**

(58) **Field of Classification Search**
USPC D7/402, 405, 406, 323, 339-340,
D7/346-349, 350.1, 350.2, 350.3, 350.4,
D7/351, 332

CPC .. H05B 1/0261; H05B 1/0263; H05B 1/0266;
F24C 3/008; F24C 5/00; F24C 7/00;
F24C 15/02; F24C 15/024

See application file for complete search history.

(56) **References Cited**

U.S. PATENT DOCUMENTS

D607,264 S * 1/2010 Lee D7/351
D612,208 S * 3/2010 Baker D7/402

D631,689 S * 2/2011 Kim D7/351
D658,940 S * 5/2012 Bond D7/405
D673,417 S * 1/2013 Lee D7/351
D673,805 S * 1/2013 Lee D7/351
D683,576 S * 6/2013 Lee D7/351
D700,470 S * 3/2014 Kim D7/351
D704,498 S * 5/2014 Kim D7/351
D732,875 S * 6/2015 Lee D7/351
D733,486 S * 7/2015 Lee D7/351

* cited by examiner

Primary Examiner — Sheryl Lane

Assistant Examiner — Nicole C Shiflet

(74) *Attorney, Agent, or Firm* — Cantor Colburn LLP

(57) **CLAIM**

The ornamental design for a microwave, as shown and described.

DESCRIPTION

FIG. 1 is a perspective view of a microwave, showing our new design;

FIG. 2 is a front view thereof;

FIG. 3 is a rear view thereof;

FIG. 4 is a side view thereof;

FIG. 5 is another side view thereof;

FIG. 6 is a top view thereof;

FIG. 7 is a bottom view thereof; and,

FIG. 8 is an enlarged view of the encircled portion 8 shown in FIG. 1.

The broken lines illustrating portions of the microwave form no part of the claimed design.

The dot-dash broken lines encircling enlargement portions of the design form no part of the claimed design.

1 Claim, 8 Drawing Sheets

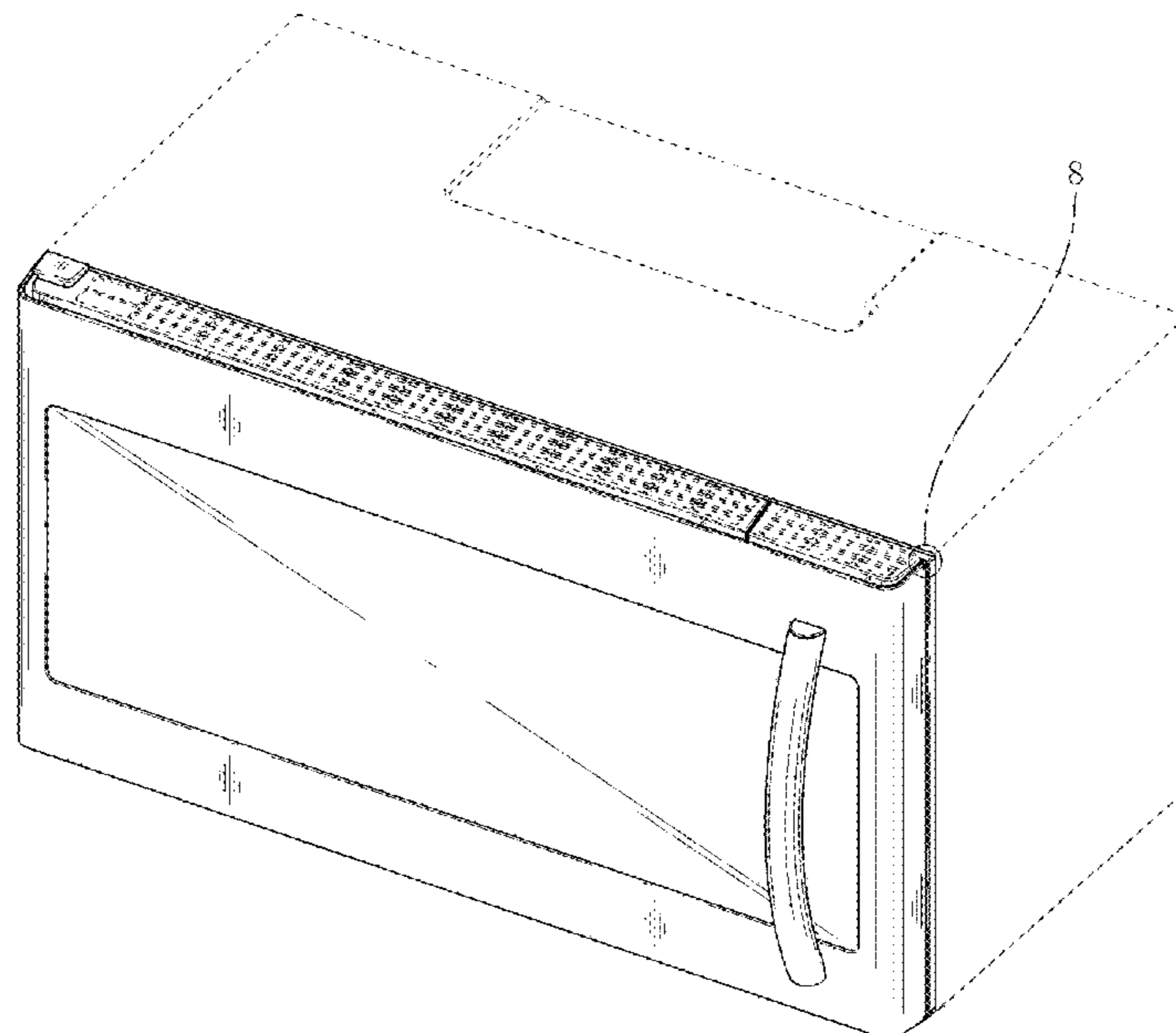


FIG. 1

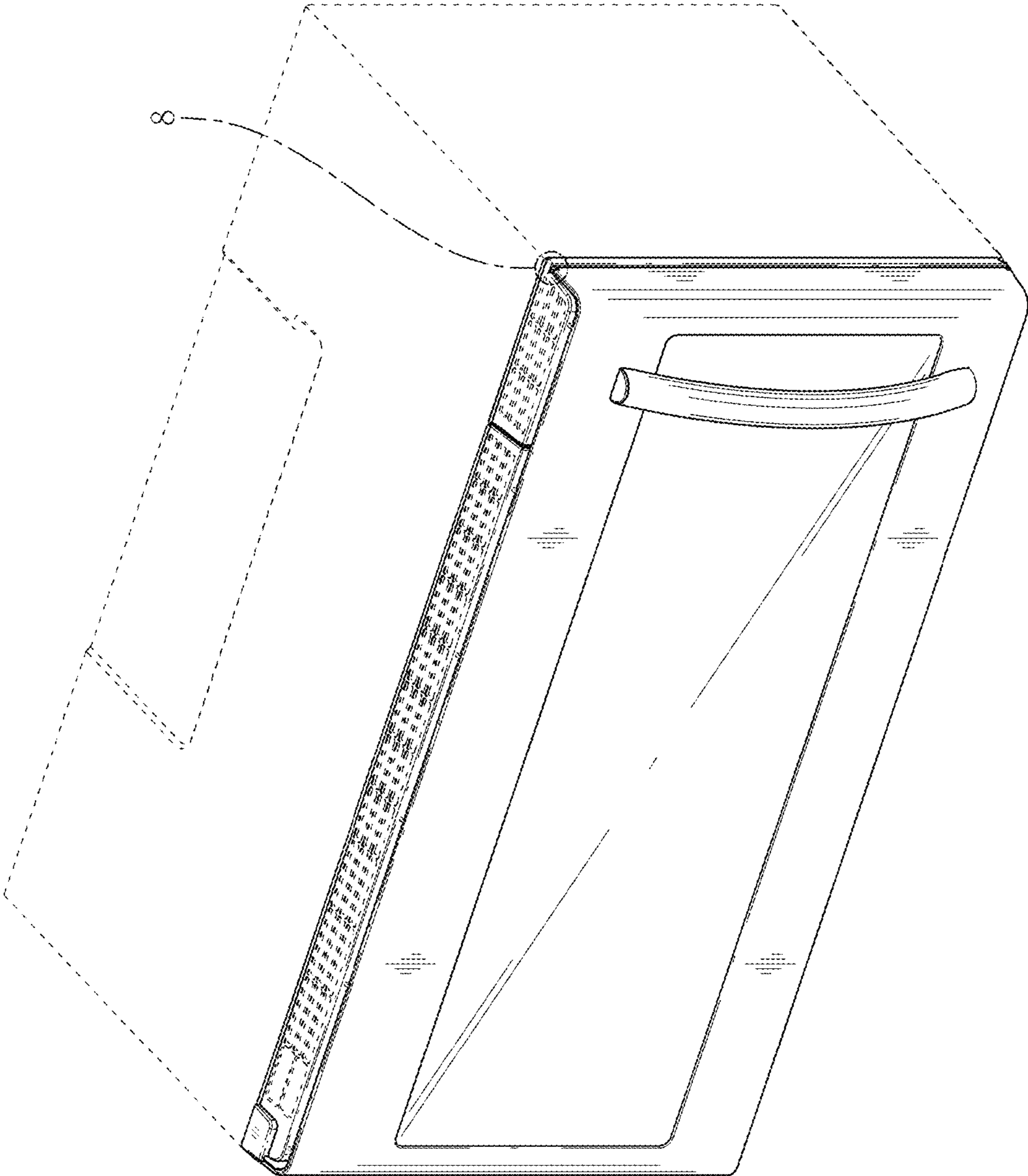


FIG. 2

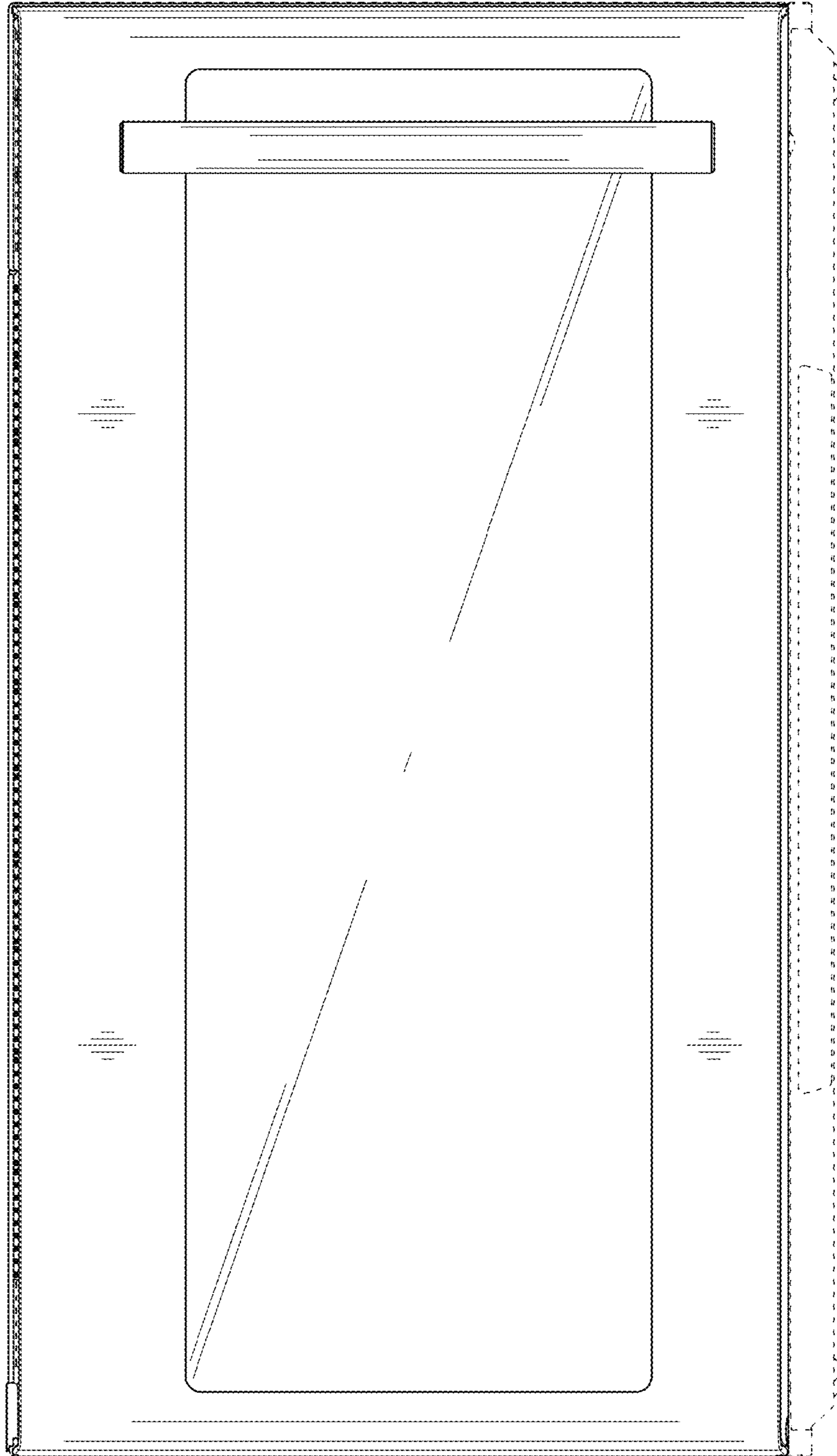


FIG. 3

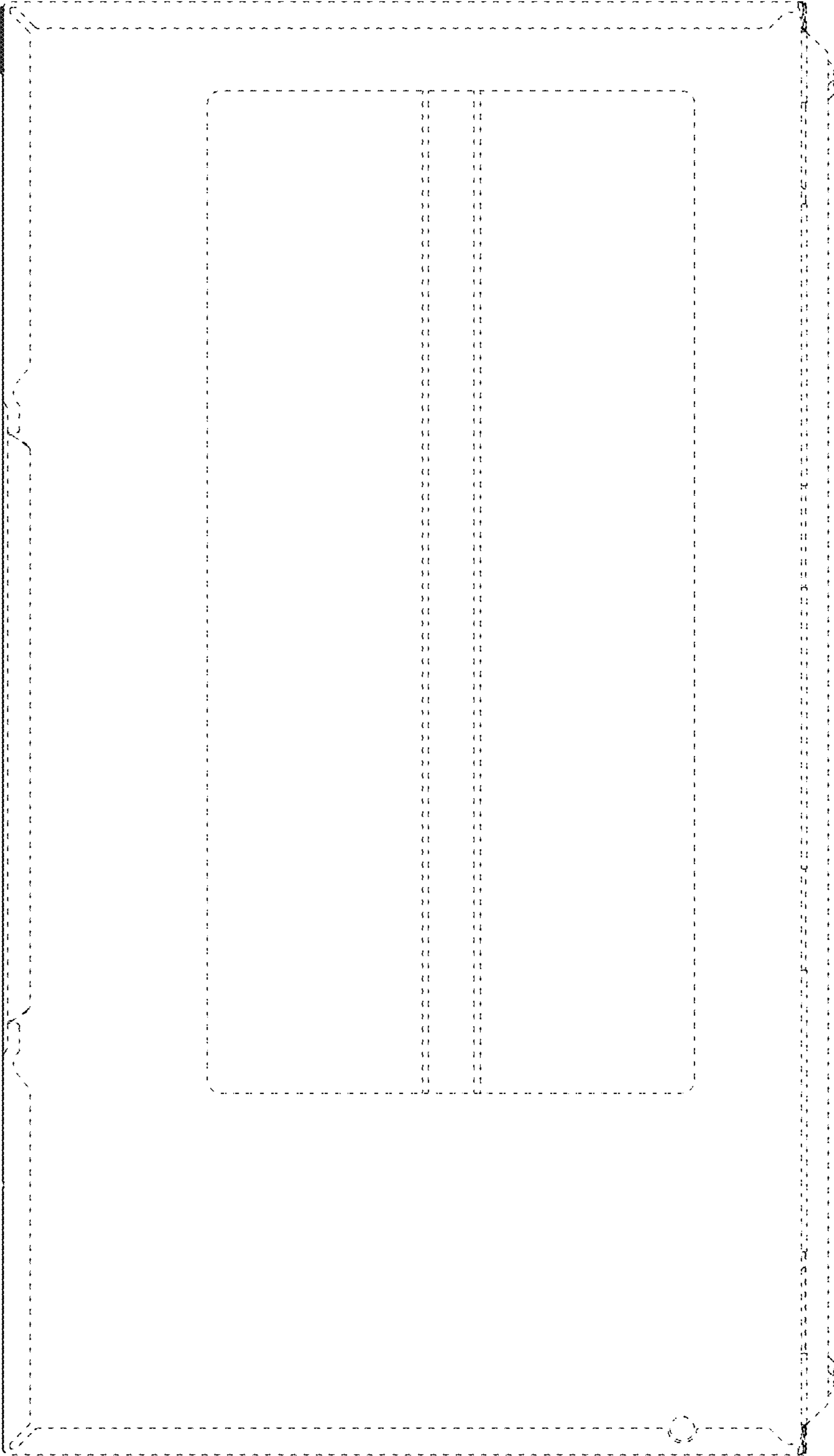


FIG. 4

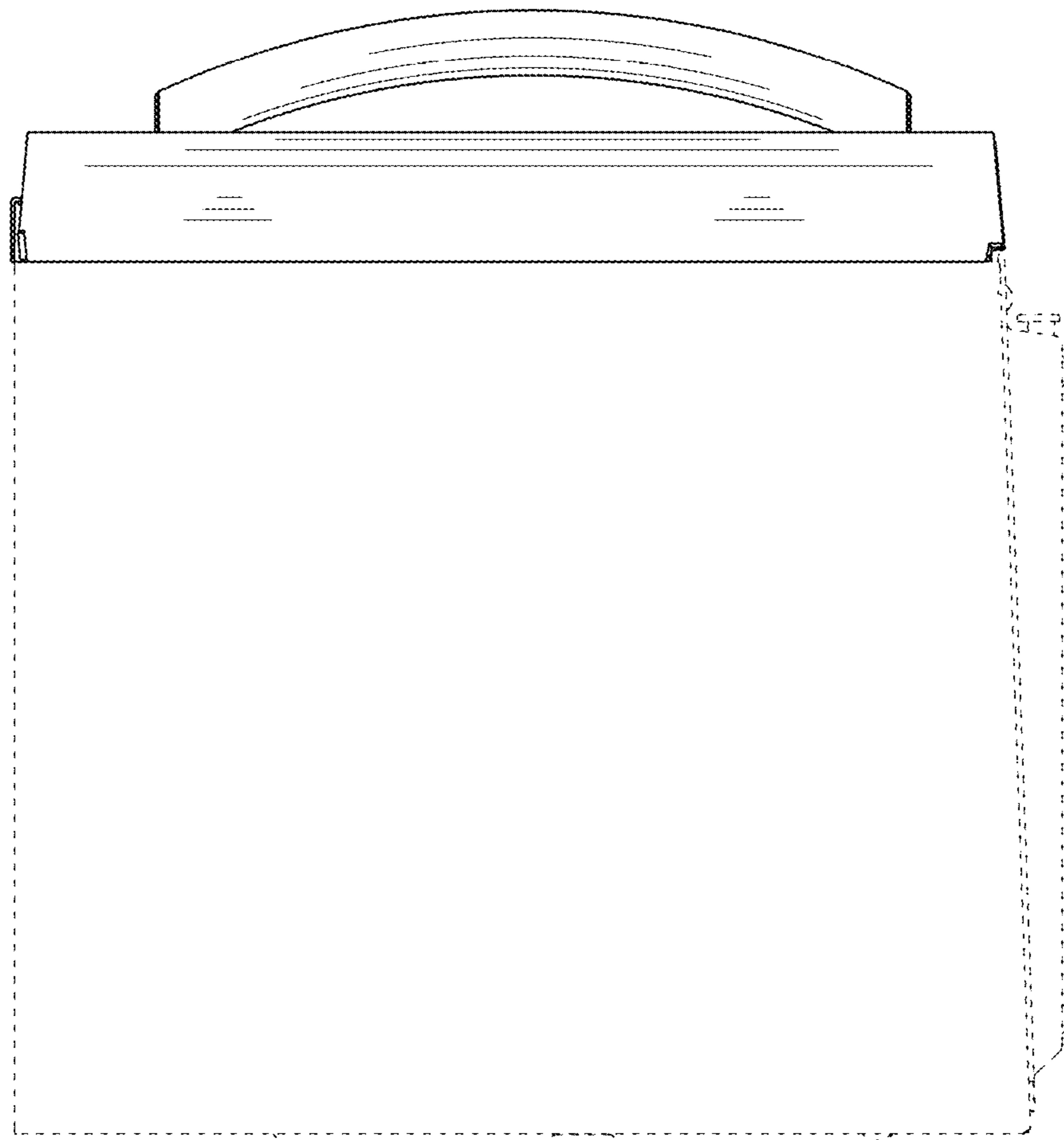


FIG. 5

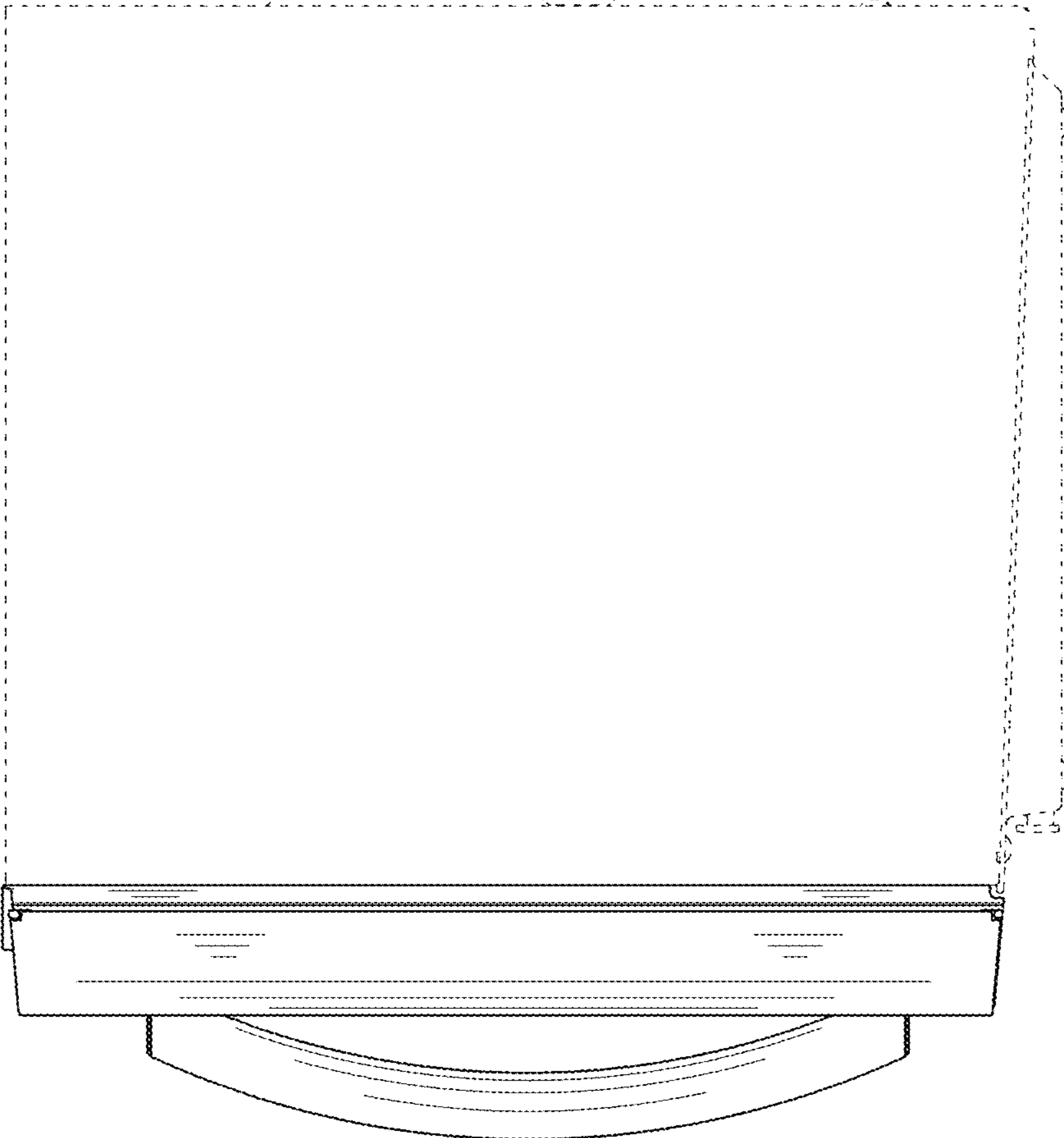


FIG. 6

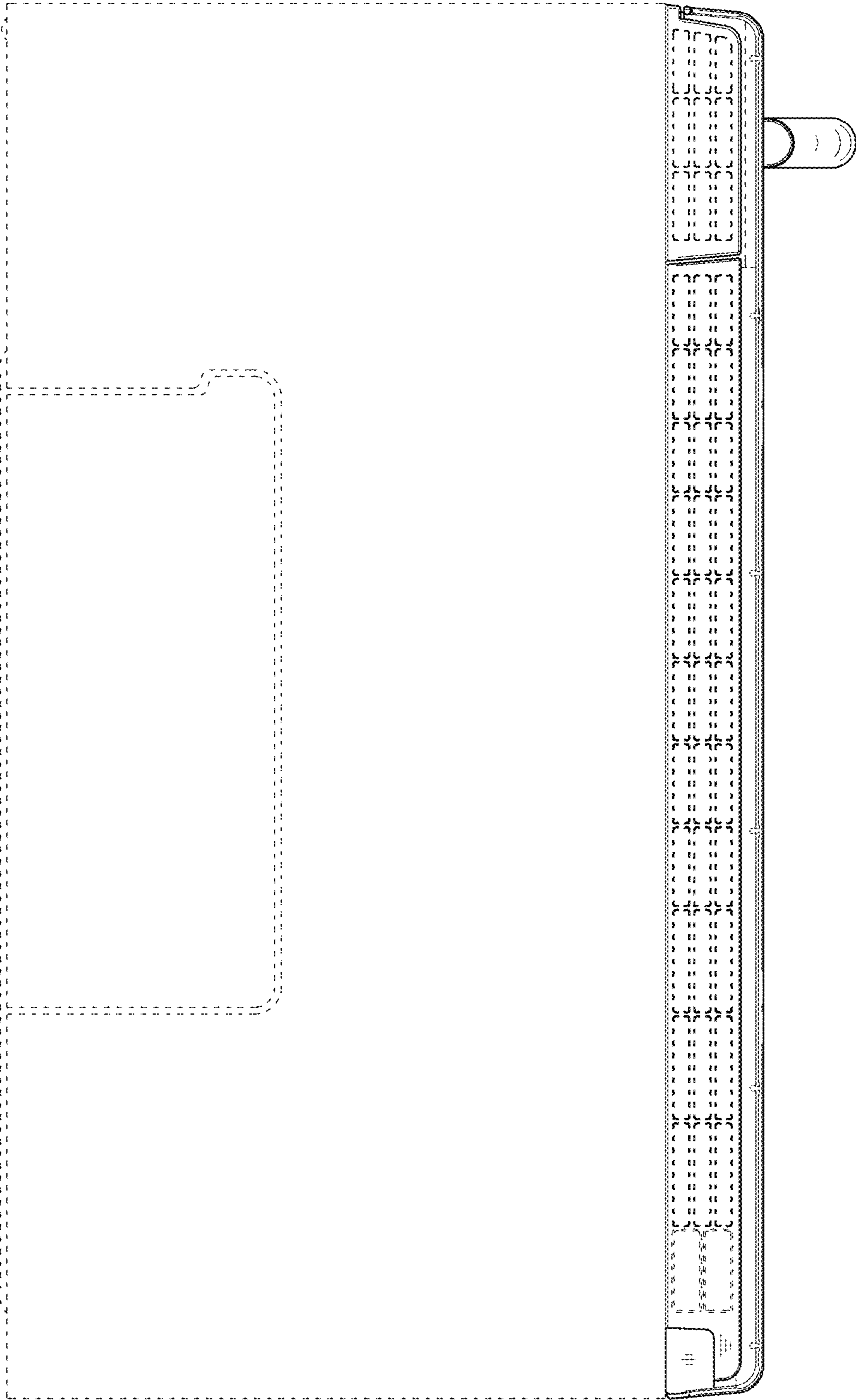


FIG. 7

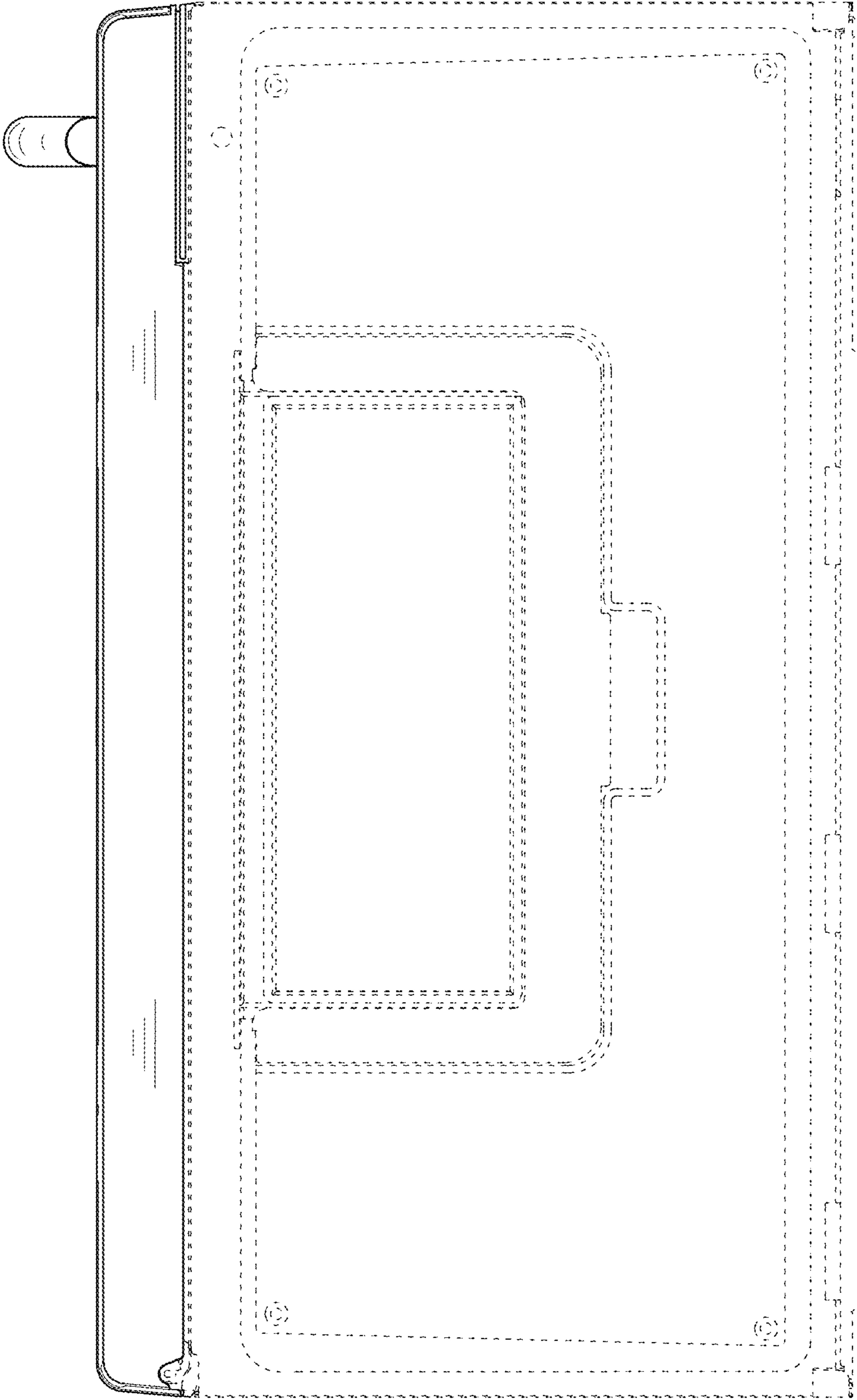


FIG. 8

