



US00D821811S

(12) **United States Design Patent**
Schiller et al.

(10) **Patent No.:** **US D821,811 S**
(45) **Date of Patent:** **** Jul. 3, 2018**

(54) **CHAFING RACK**

(71) Applicant: **KING ZAK INDUSTRIES, INC.**,
Goshen, NY (US)

(72) Inventors: **Aaron Schiller**, Airmont, NY (US);
Carrie Schonfeld, Airmont, NY (US)

(73) Assignee: **KING ZAK INDUSTRIES, INC.**,
Goshen, NY (US)

(**) Term: **15 Years**

(21) Appl. No.: **29/553,198**

(22) Filed: **Jan. 29, 2016**

(51) **LOC (11) Cl.** **07-02**

(52) **U.S. Cl.**
USPC **D7/403**

(58) **Field of Classification Search**
USPC D7/402-409, 323, 332, 335-337,
D7/354-355, 362-366, 387-388;
D23/261; D3/306
CPC A47J 36/34; A47J 36/2405; A47J 36/24;
A47J 37/0694; A47J 37/108; B65D 7/20;
F24C 15/16
See application file for complete search history.

(56) **References Cited**

U.S. PATENT DOCUMENTS

D158,645 S *	5/1950	Brown	D7/409
D188,556 S *	8/1960	Theisen	D7/388
D296,601 S *	7/1988	Chap	D3/306
5,921,513 A *	7/1999	Skvorecz	B65D 21/046 126/40
5,996,948 A *	12/1999	Skvorecz	B65D 7/20 126/40
D626,377 S *	11/2010	Contreras	D7/355
D782,879 S *	4/2017	Schiller	D23/261

2005/0167381 A1 *	8/2005	Fariello	A47J 36/24 211/181.1
2005/0218274 A1 *	10/2005	Skvorecz	A47J 36/34 248/153
2008/0251657 A1 *	10/2008	Skvorecz	A47J 36/34 248/153
2013/0313211 A1 *	11/2013	Skvorecz	B65D 7/20 211/85.31
2016/0128509 A1 *	5/2016	Skvorecz	A47J 36/2405 248/153
2016/0280417 A1 *	9/2016	Skvorecz	B65D 7/20

* cited by examiner

Primary Examiner — Sheryl Lane

Assistant Examiner — Nicole C Shiflet

(74) *Attorney, Agent, or Firm* — Hodgson Russ LLP

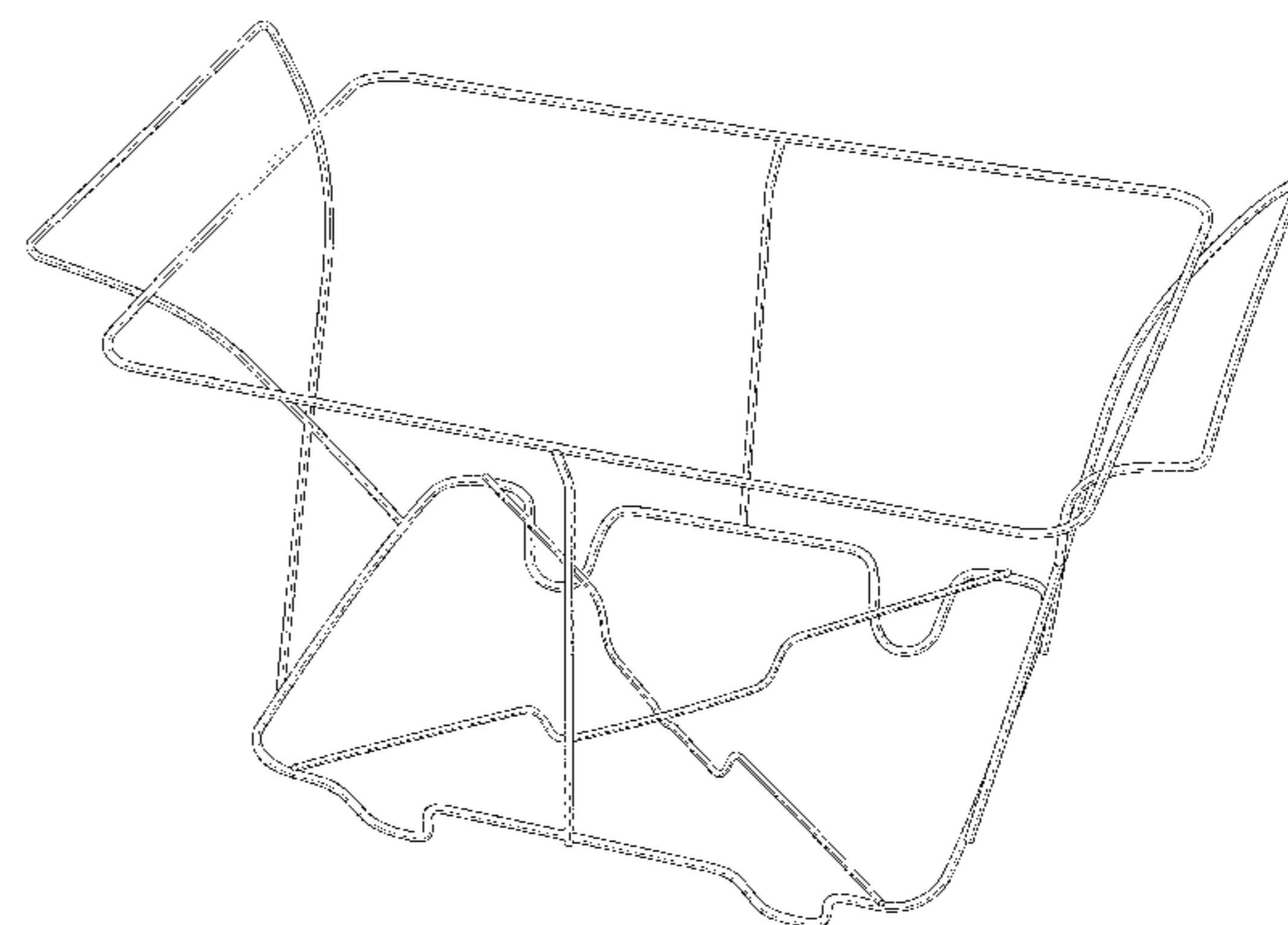
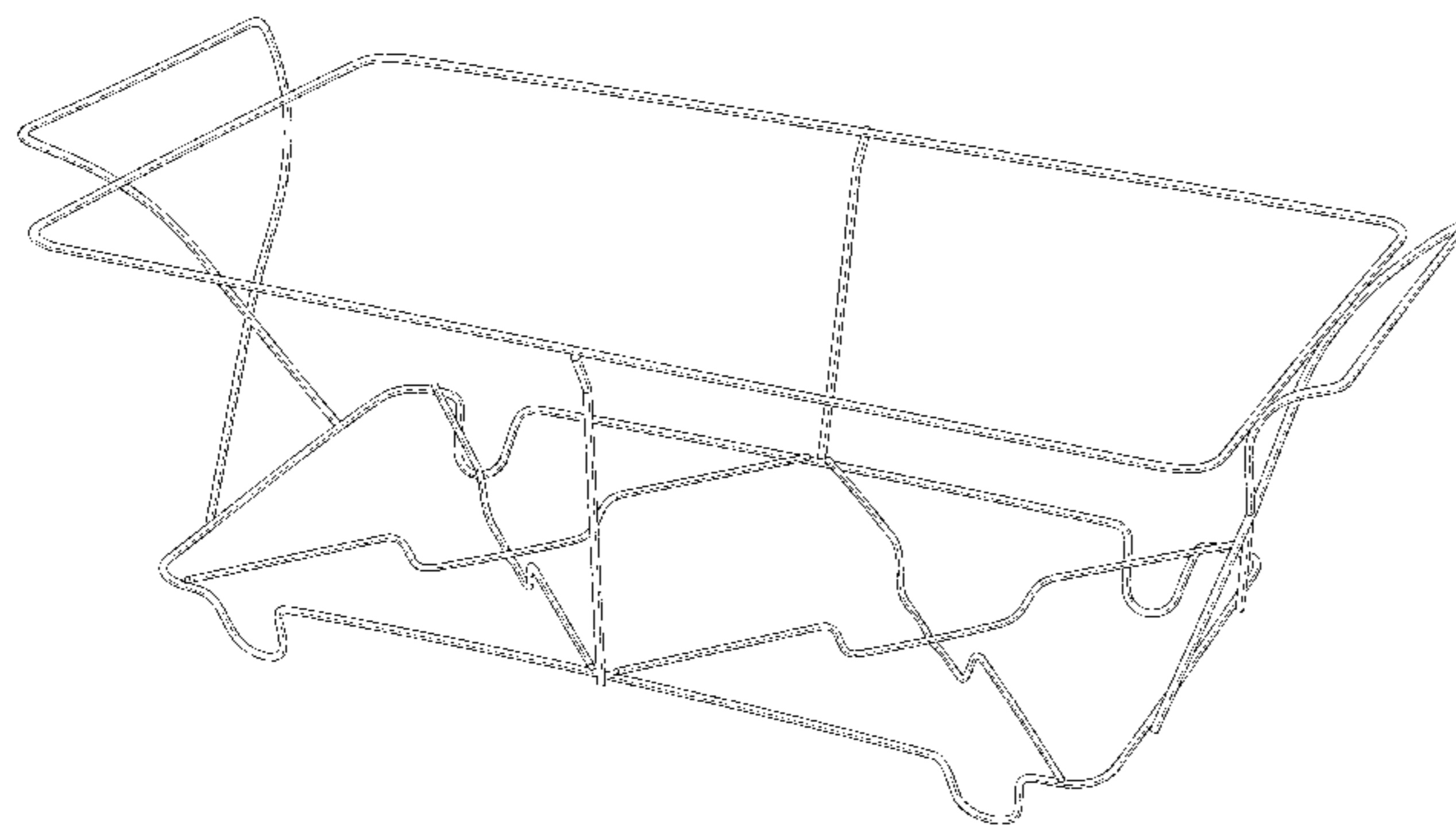
(57) **CLAIM**

The ornamental design for a chafing rack, as shown and described.

DESCRIPTION

FIG. 1 is a perspective view of a first embodiment of the chafing rack showing my new design;
FIG. 2 is a front view thereof;
FIG. 3 is a rear view thereof;
FIG. 4 is a left side view thereof;
FIG. 5 is a right side view thereof;
FIG. 6 is a top view thereof;
FIG. 7 is a bottom view thereof;
FIG. 8 is a perspective view of a second embodiment of the chafing rack;
FIG. 9 is a front view thereof;
FIG. 10 is a rear view thereof;
FIG. 11 is a left side view thereof;
FIG. 12 is a right side view thereof;
FIG. 13 is a top view thereof; and,
FIG. 14 is a bottom view thereof.

1 Claim, 11 Drawing Sheets



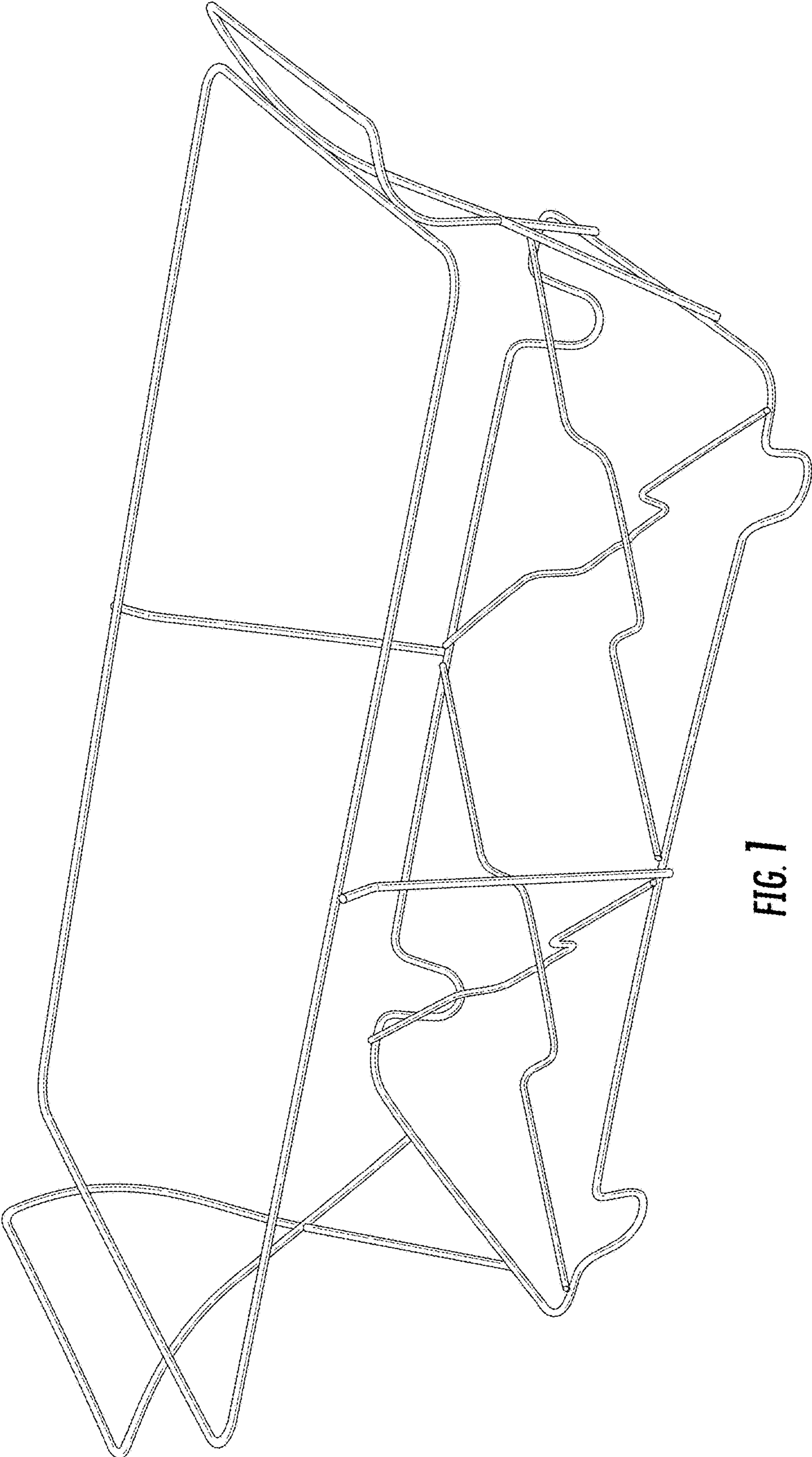


FIG. 1

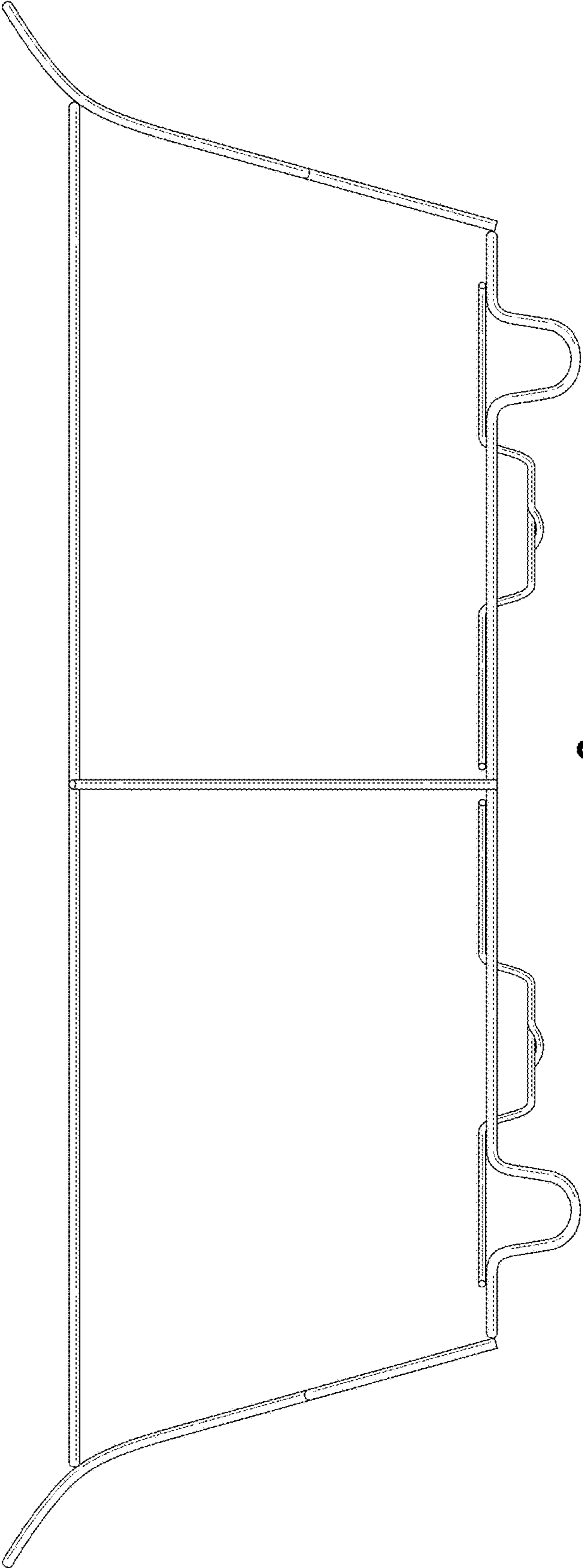


FIG. 2

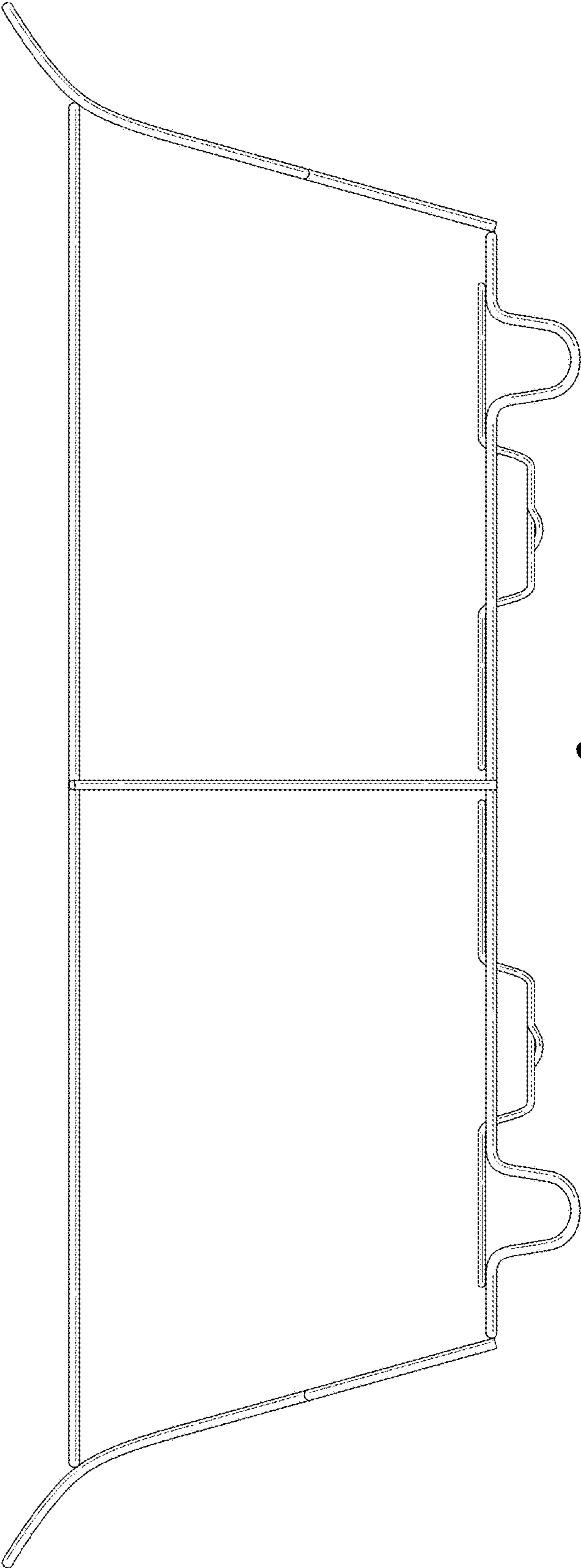


FIG. 3

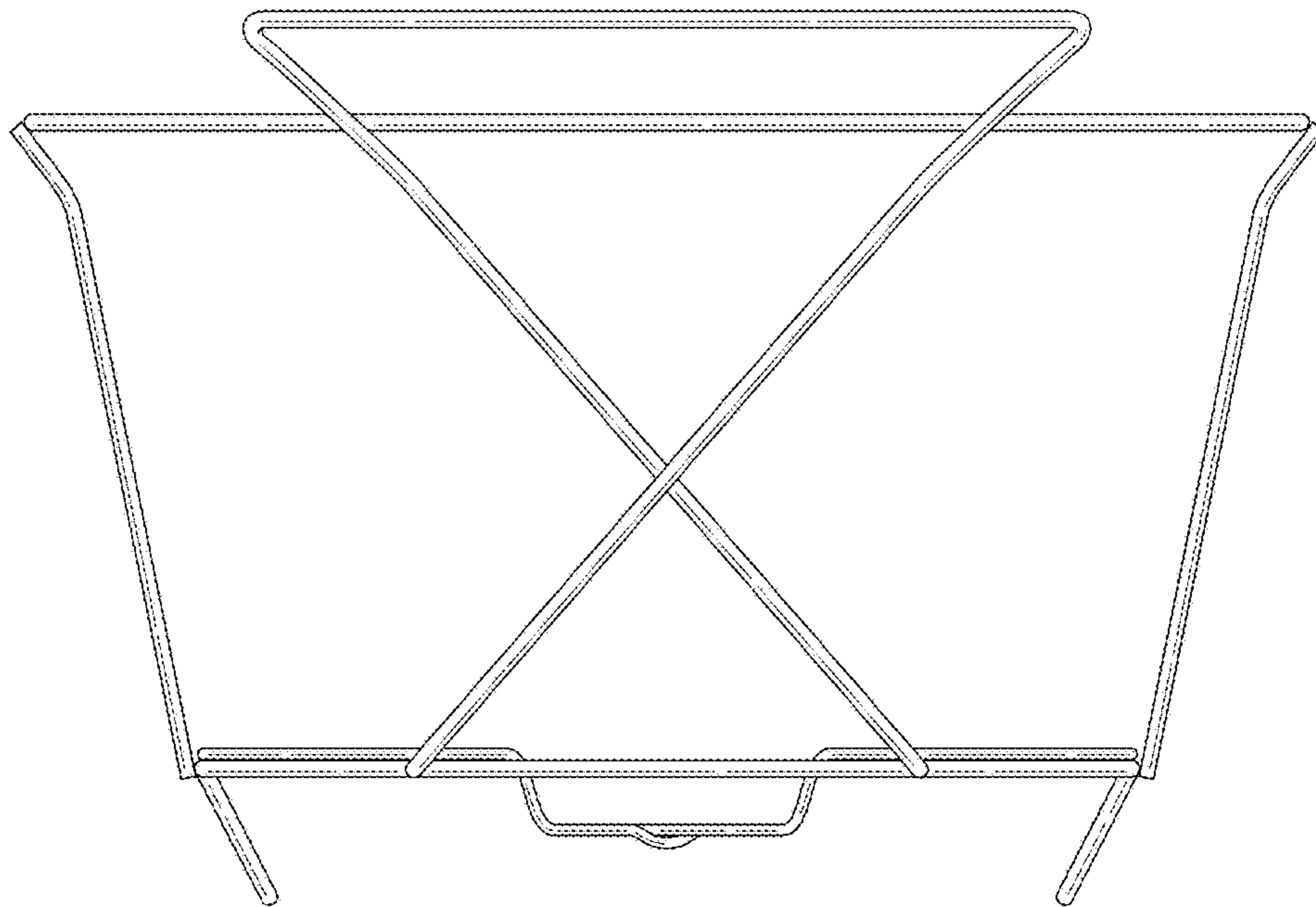


FIG. 4

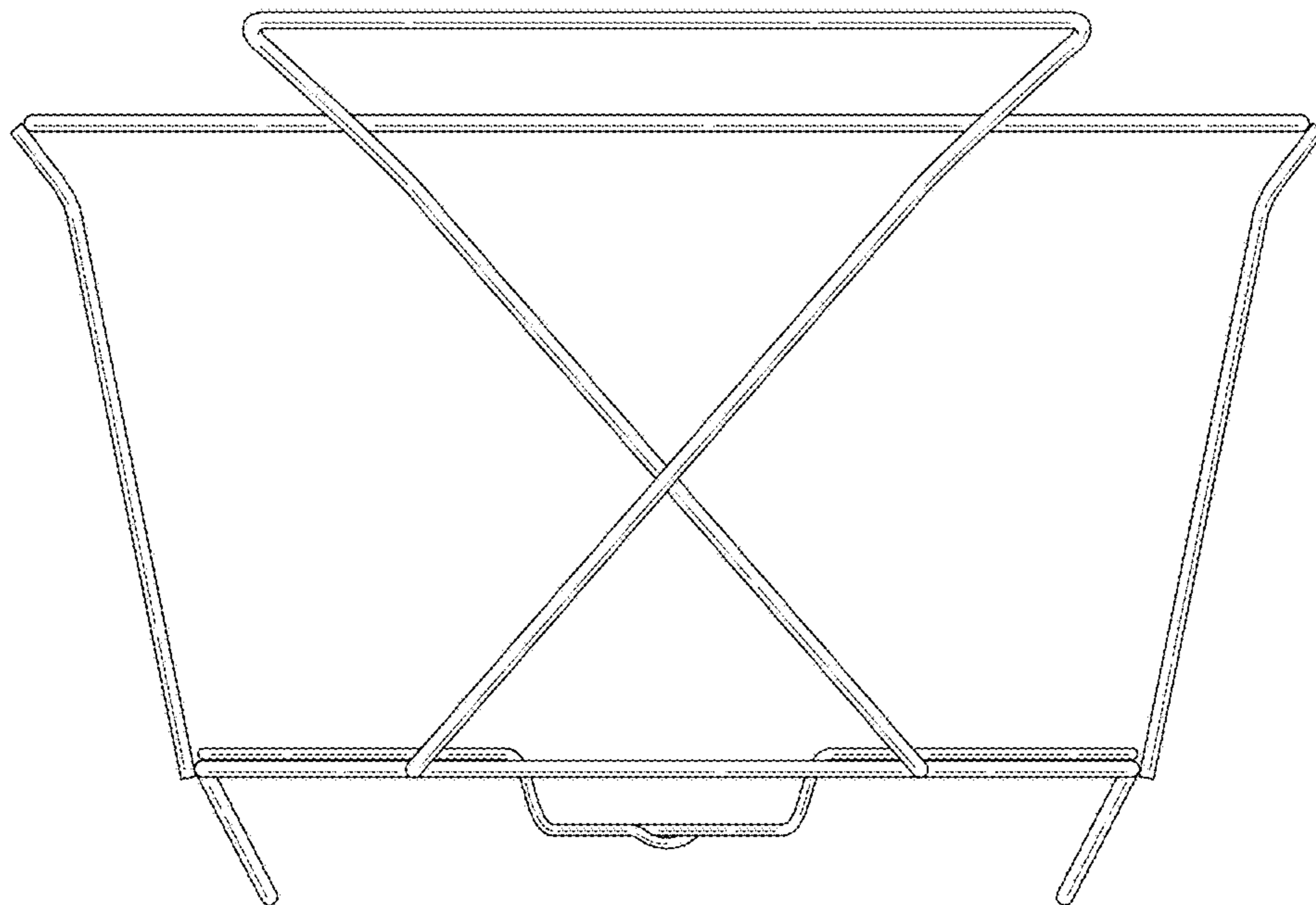


FIG. 5

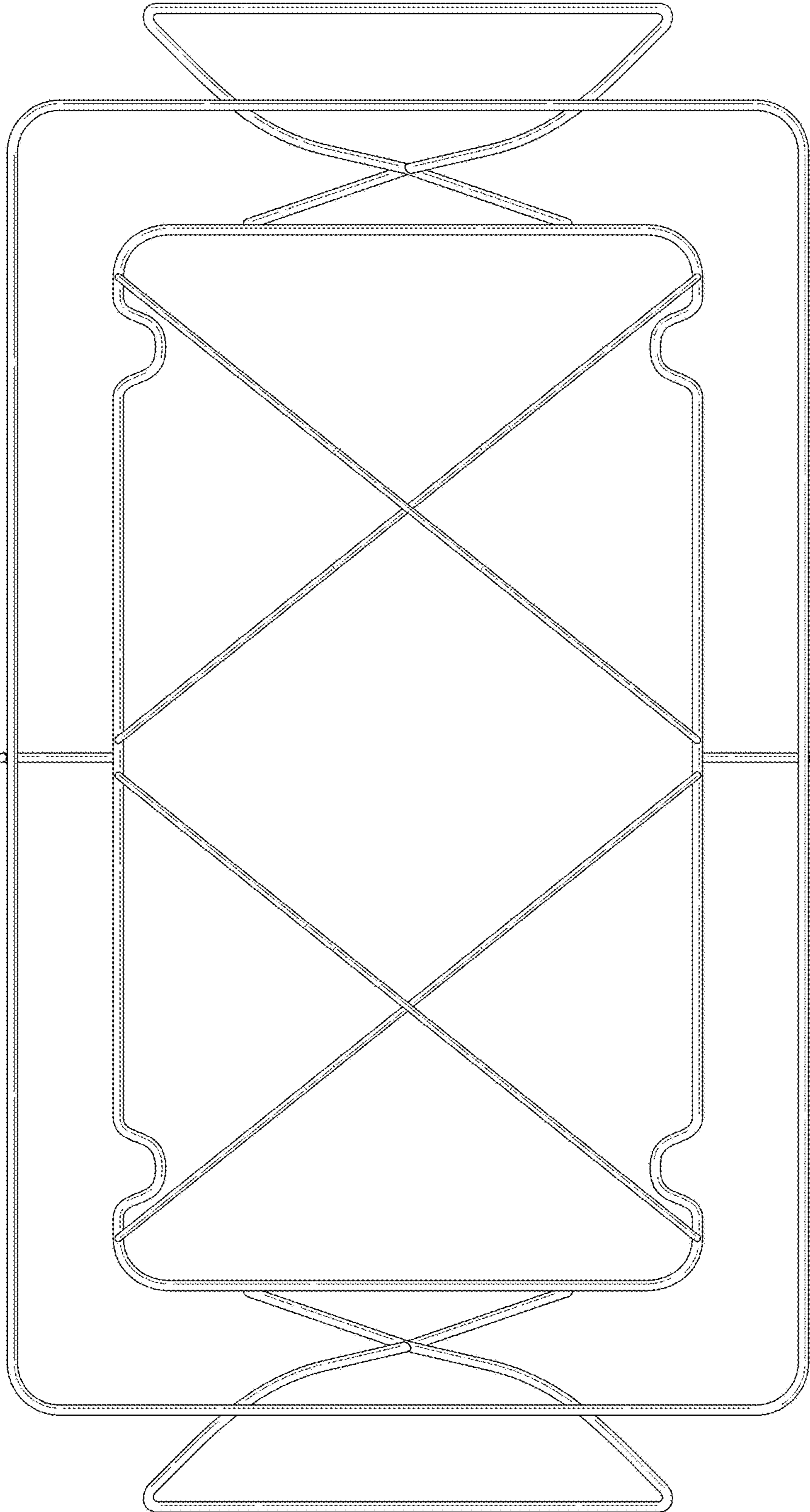


FIG. 6

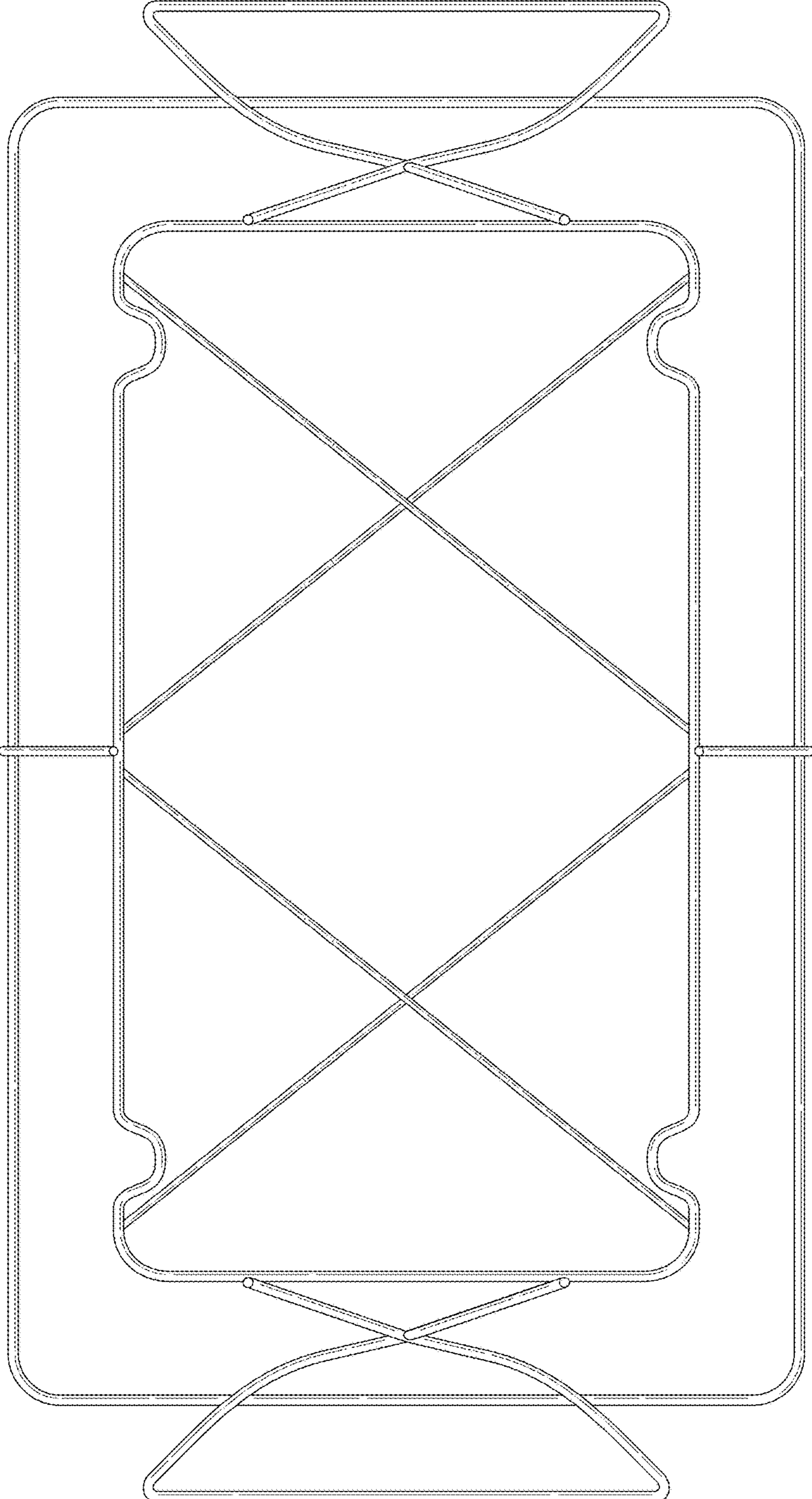


FIG. 7

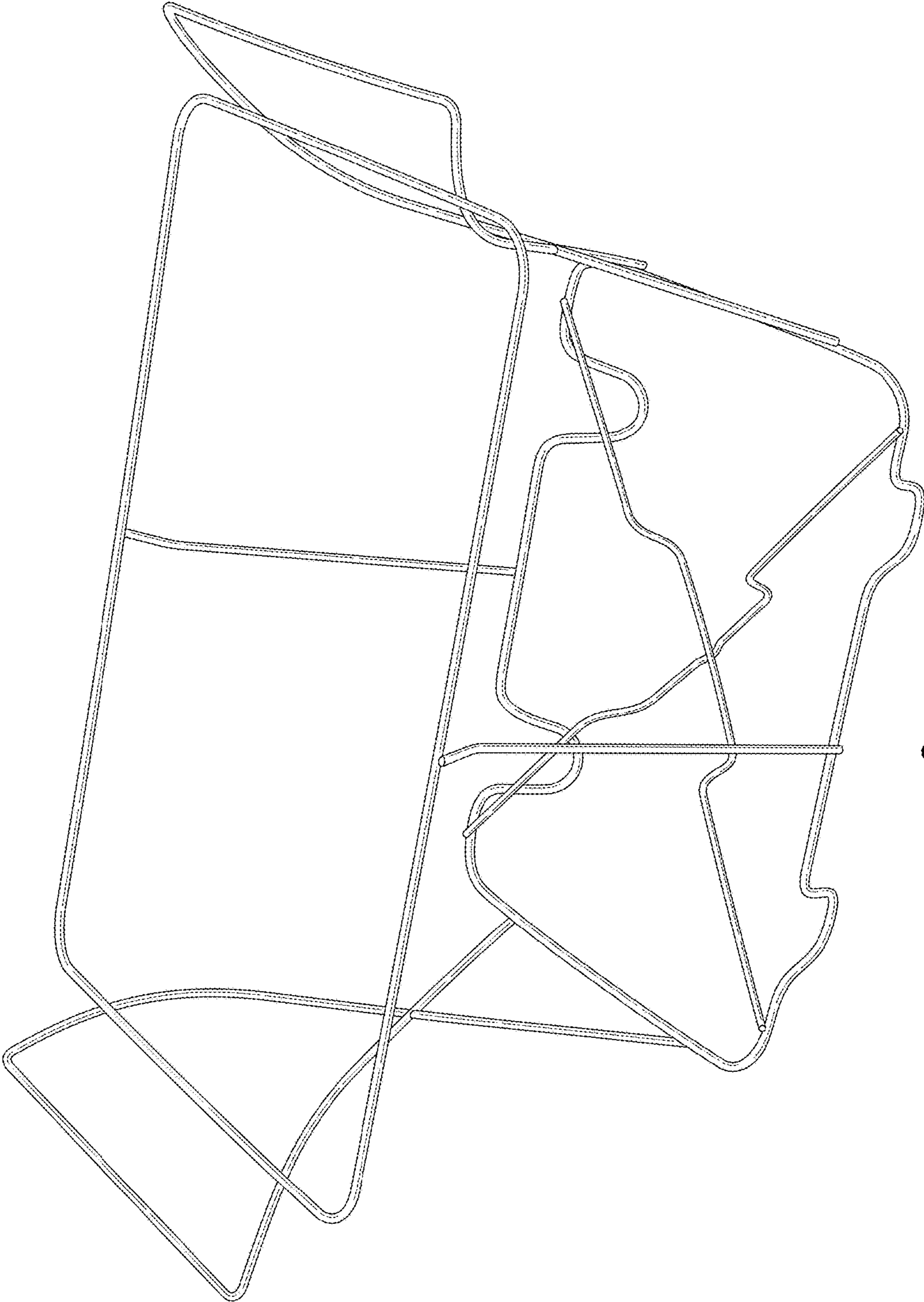


FIG. 8

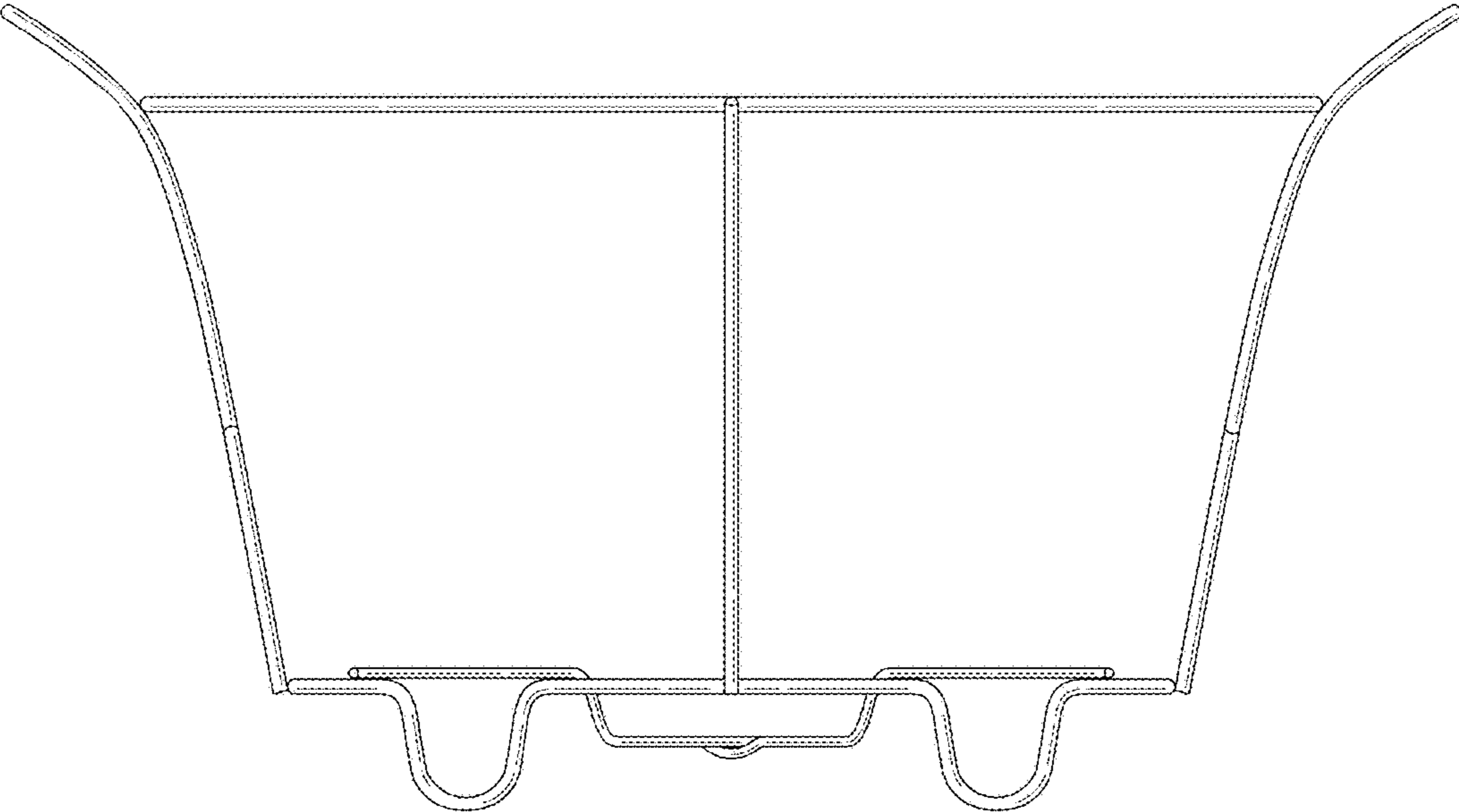


FIG. 9

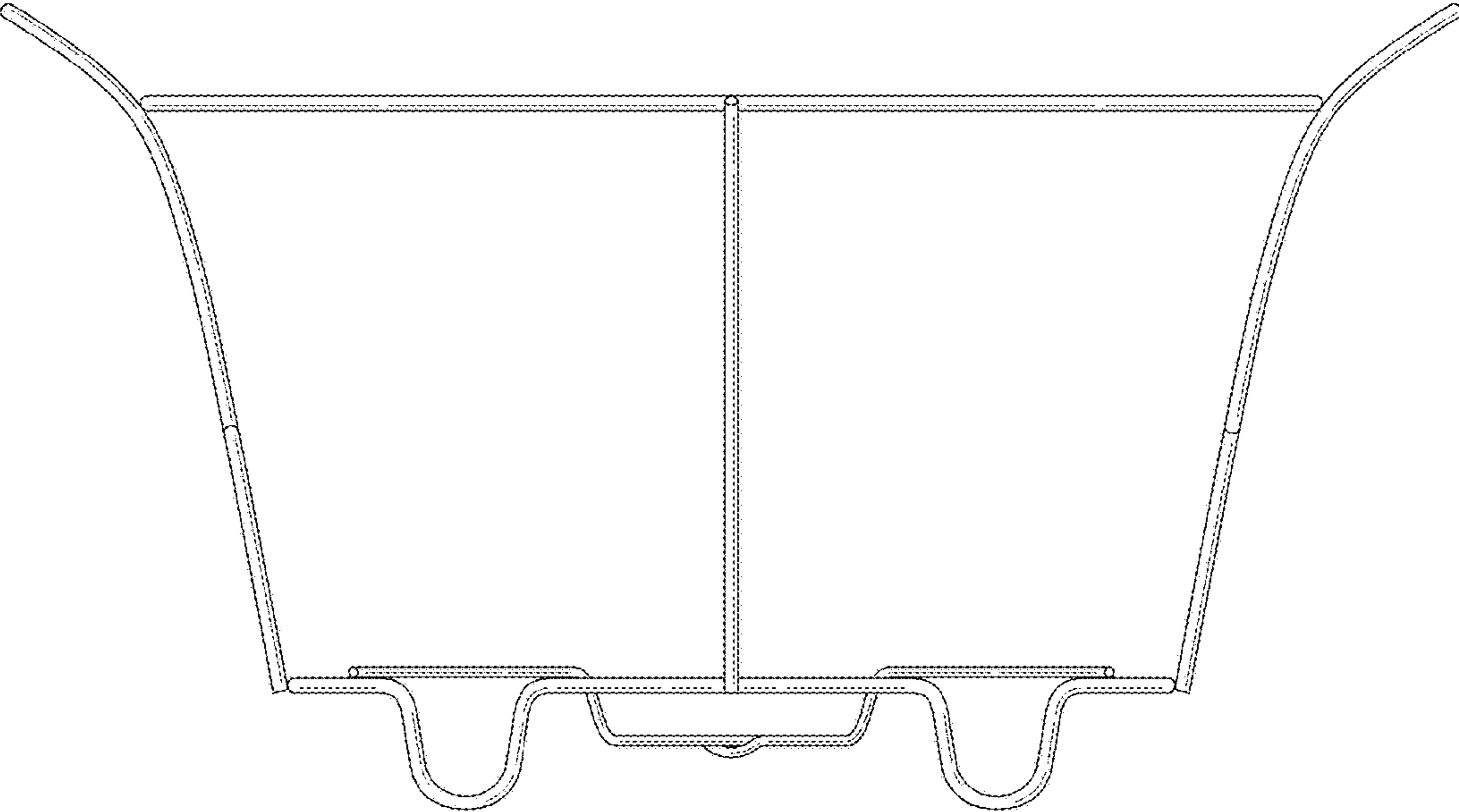


FIG. 10

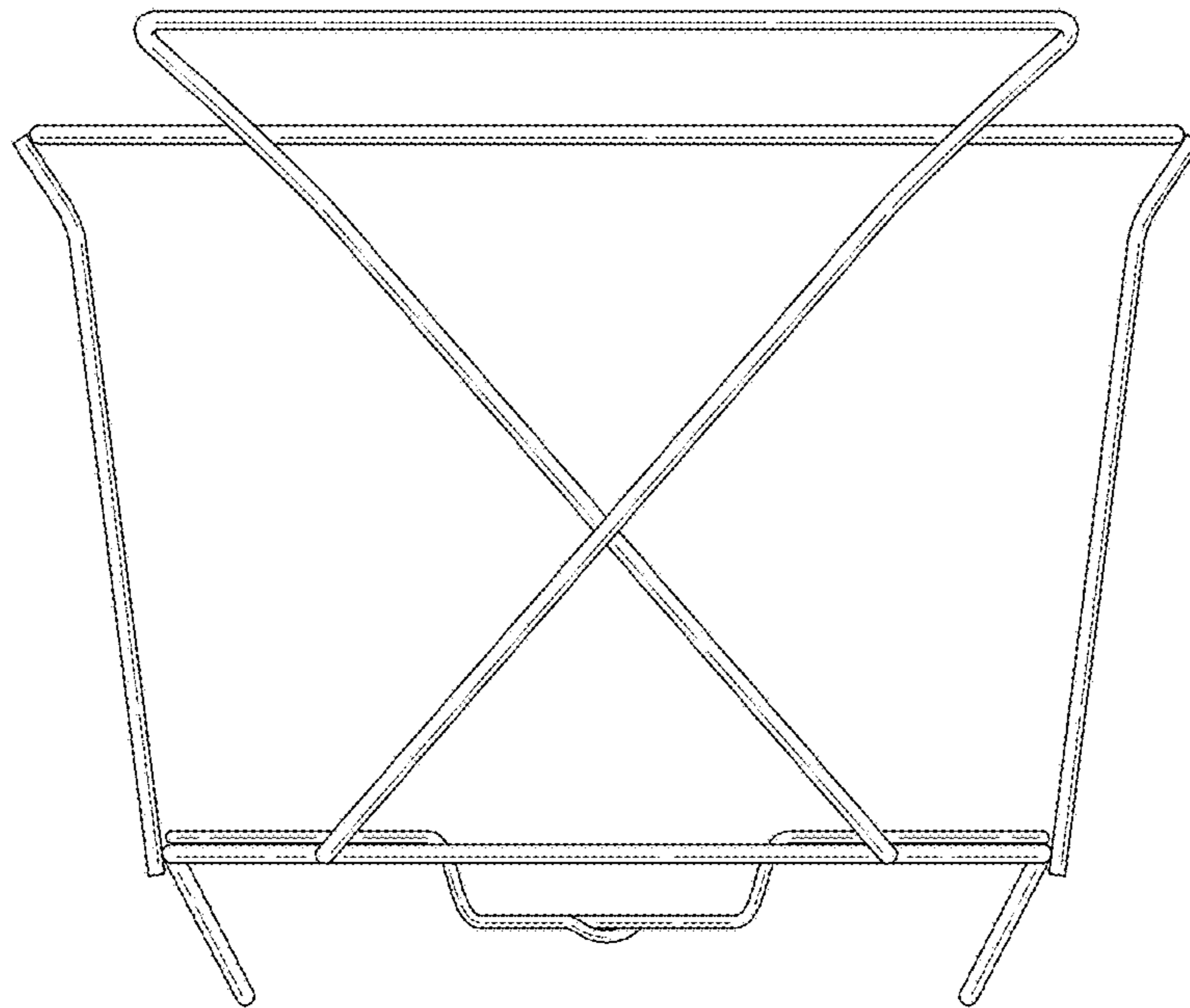


FIG. 11

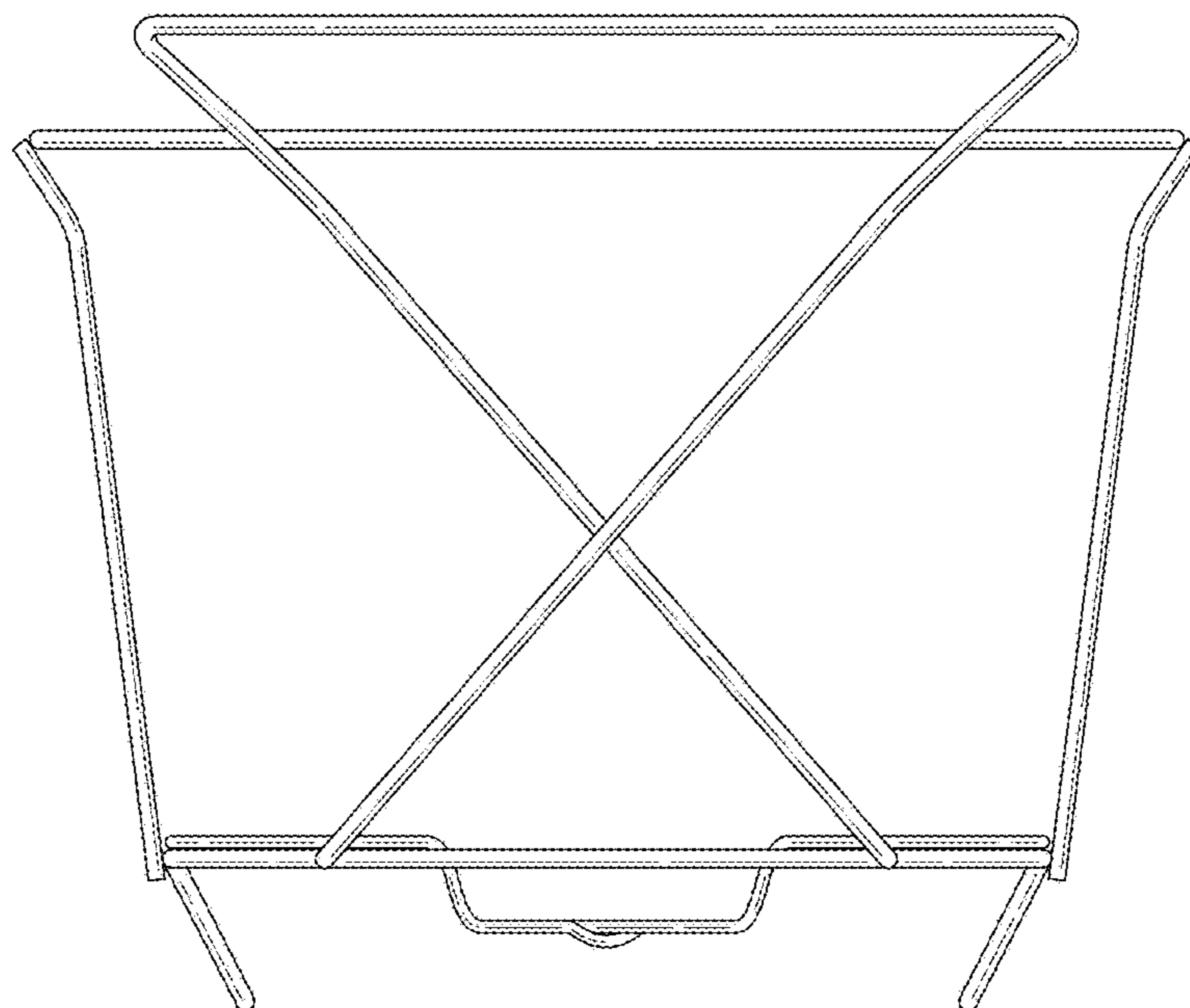


FIG. 12

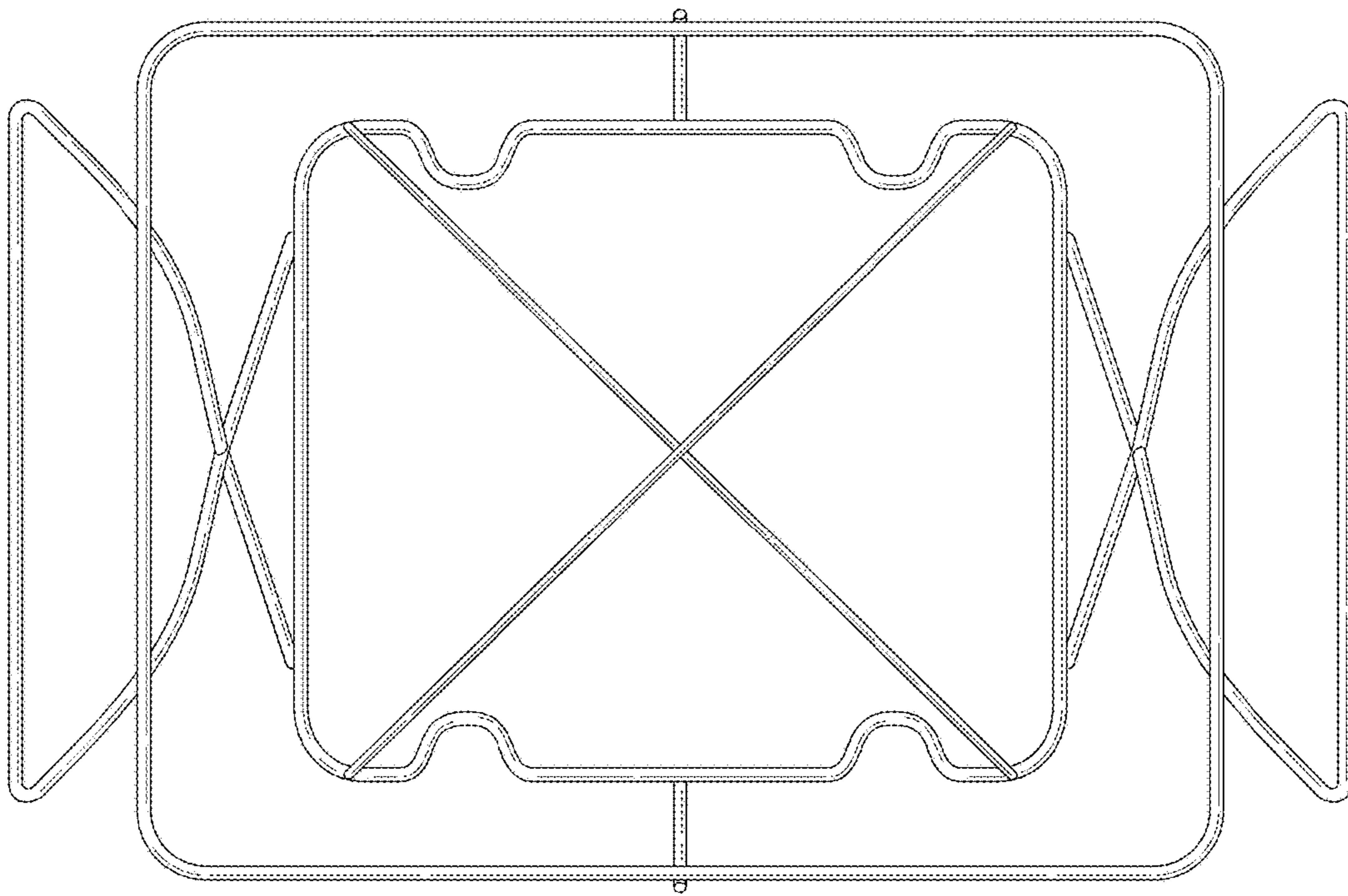


FIG. 13

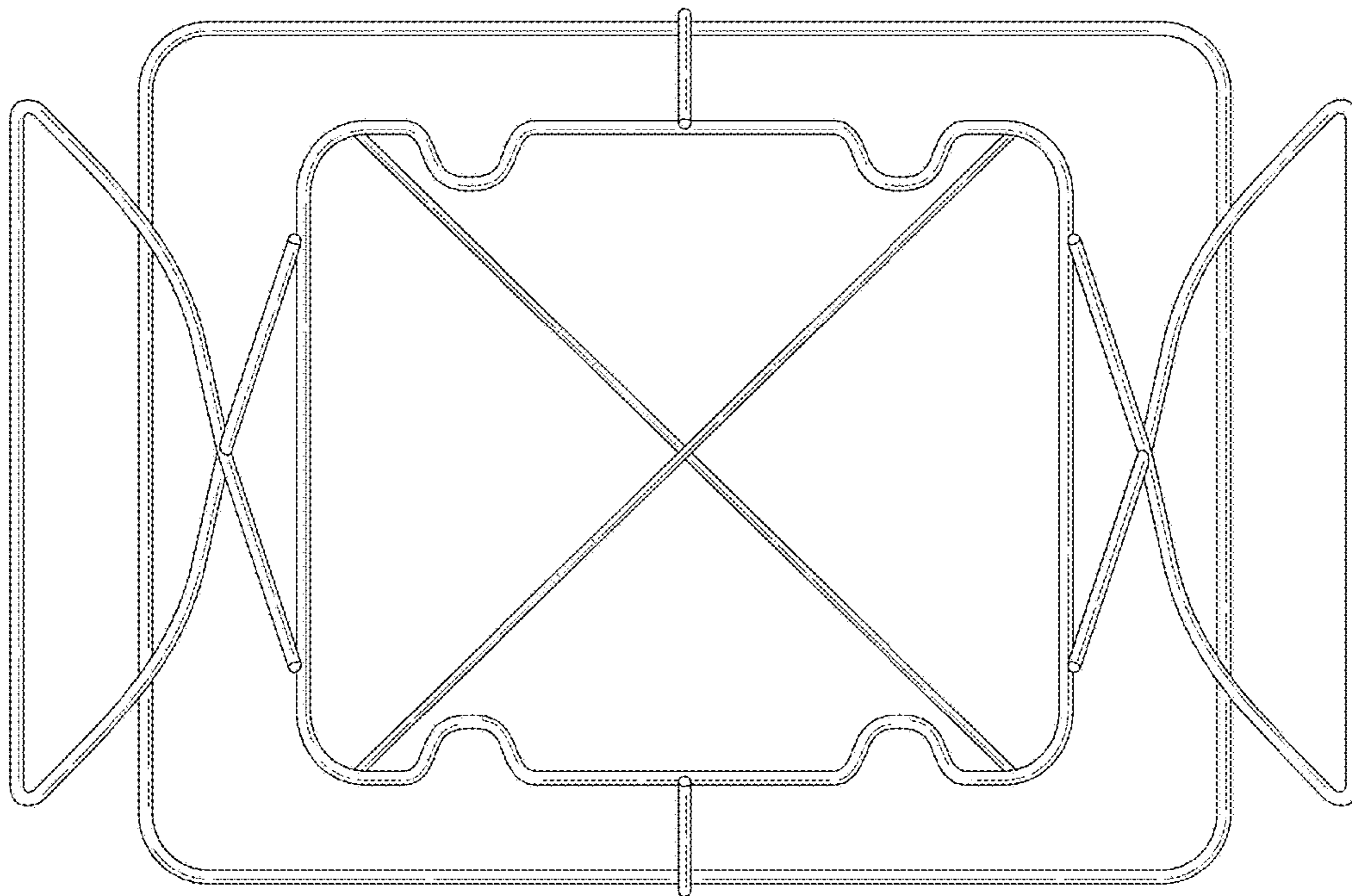


FIG. 14