



US00D821810S

(12) **United States Design Patent**
Case et al.

(10) **Patent No.:** **US D821,810 S**
(45) **Date of Patent:** **** Jul. 3, 2018**

(54) **REFRACTORY OVEN FOR A REFRACTORY COOKING DEVICE**

(71) Applicant: **2379251 Ontario Limited**, Toronto (CA)

(72) Inventors: **Timothy M. Case**, Mission Viejo, CA (US); **David Joseph Miller**, Diamond Bar, CA (US); **Mark Stein**, Toronto (CA)

(73) Assignee: **BAKERSTONE INTERNATIONAL LLC**, Santa Ana, CA (US)

(**) Term: **15 Years**

(21) Appl. No.: **29/559,153**

(22) Filed: **Mar. 24, 2016**

Related U.S. Application Data

(63) Continuation of application No. 13/941,176, filed on Jul. 12, 2013, now Pat. No. 9,491,951.

(51) **LOC (11) Cl.** **07-02**

(52) **U.S. Cl.**
USPC **D7/402**

(58) **Field of Classification Search**
USPC D7/350.1, 350.3-350.4, 351, 402, 405, D7/406, 332, 334
CPC A47J 37/00; A47J 37/0763; A47J 37/0658; A47J 37/0704; A47J 36/36; A21B 1/52; A21B 1/00; H05B 6/6426; H05B 6/6414; F24C 15/08
See application file for complete search history.

(56) **References Cited**

U.S. PATENT DOCUMENTS

3,270,740 A * 9/1966 Koos, Jr. A47J 37/01 126/275 R
D222,514 S * 10/1971 Joeckel D7/350.4

3,777,118 A 12/1973 Creus
D272,977 S * 3/1984 Erkelenz D7/350.4
D333,588 S * 3/1993 Bergman D7/332
6,101,930 A 8/2000 Van Over
6,166,353 A * 12/2000 Senneville F24C 15/08 126/273 R
6,905,332 B1 6/2005 Neal
7,086,554 B2 * 8/2006 Ehret A47B 71/00 220/612
8,578,585 B2 * 11/2013 Dettloff F24C 3/12 126/19 R
D724,890 S * 3/2015 Molnar D7/350.1
9,491,951 B2 * 11/2016 Case A21B 1/00
2002/0017290 A1 * 2/2002 Hines, Jr. A47J 37/01 126/41 R

(Continued)

OTHER PUBLICATIONS

U.S. Non-Final Office Action, as issued in connection with U.S. Appl. No. 14/707,357, dated Sep. 1, 2017, 7 pages.

Primary Examiner — Ruth McInroy

(74) *Attorney, Agent, or Firm* — Maschoff Brennan

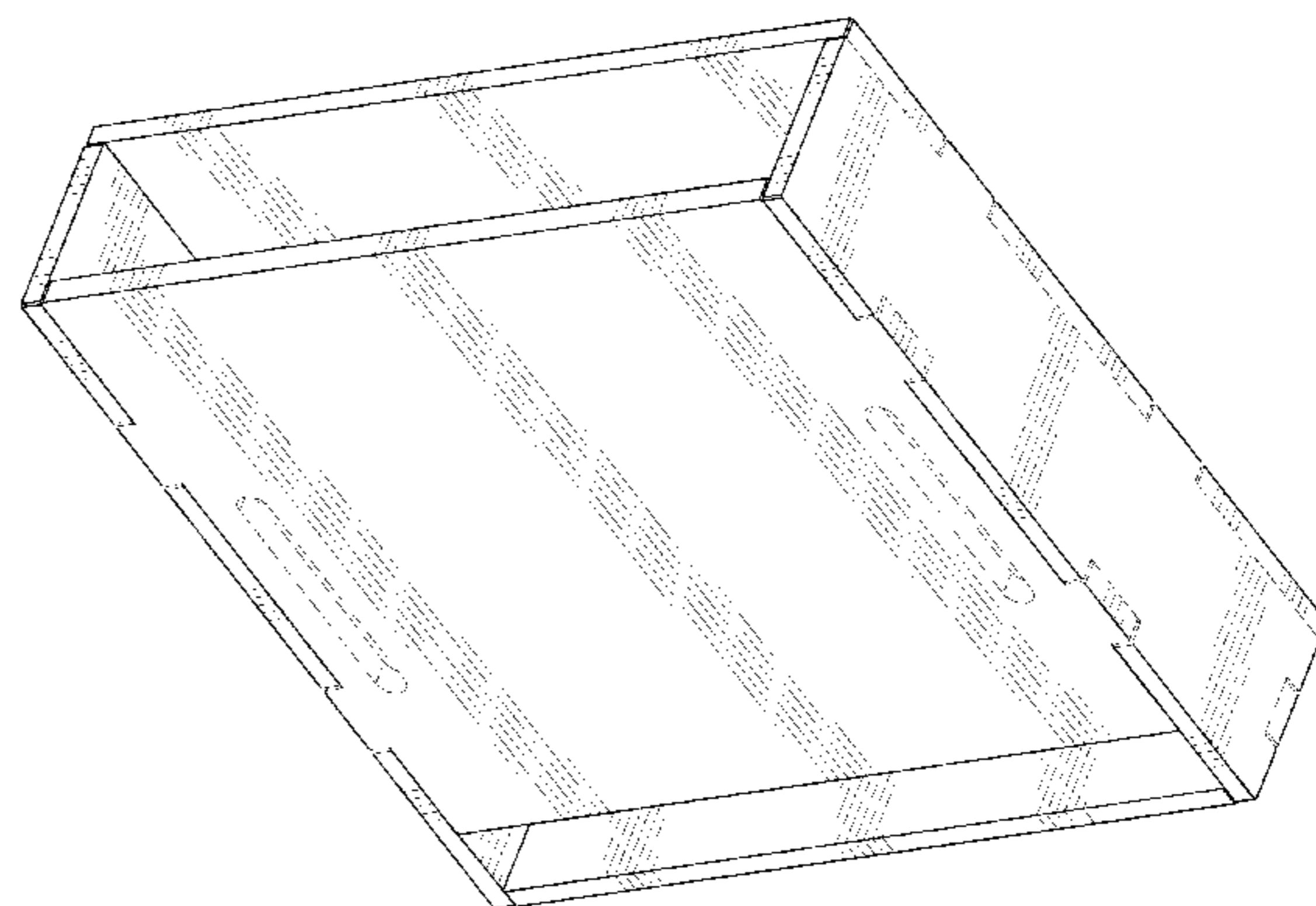
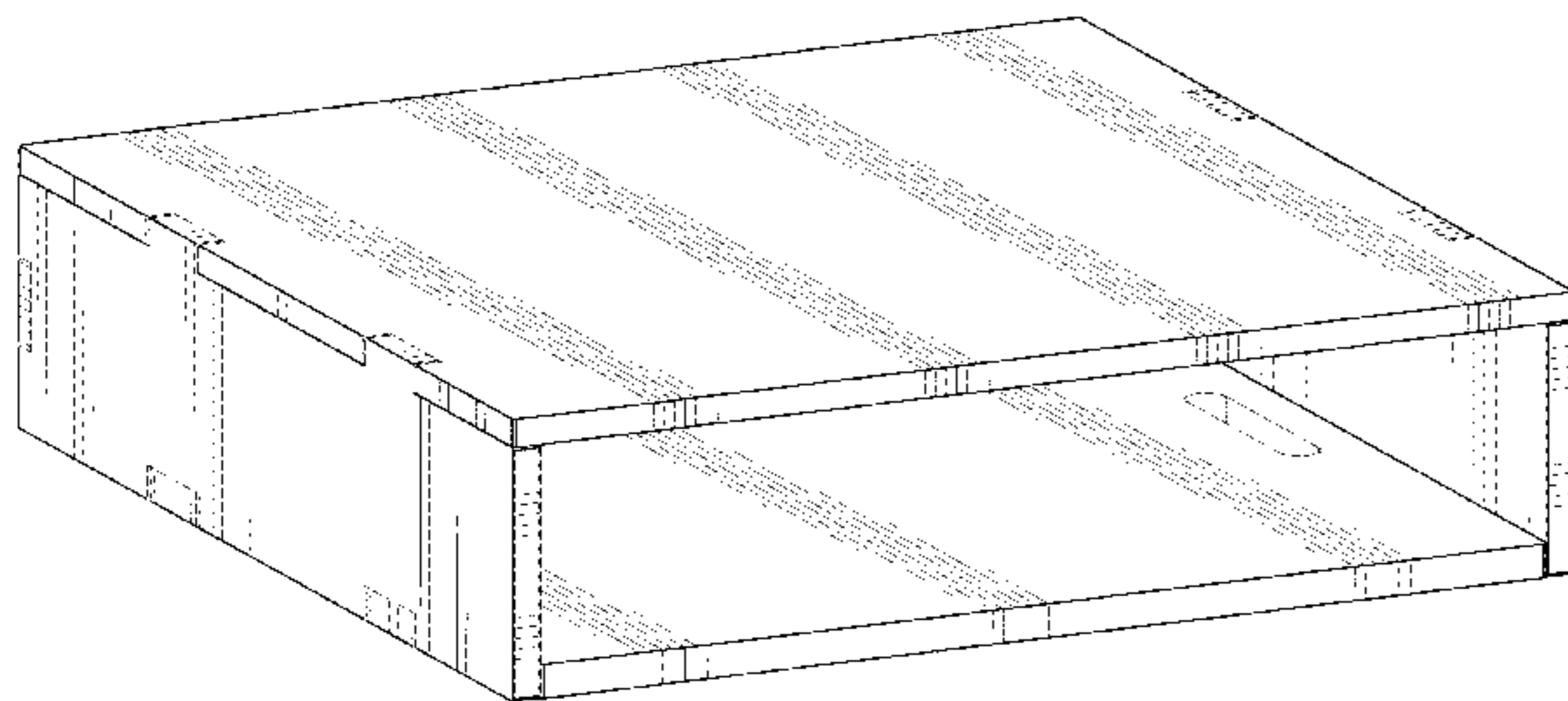
(57) **CLAIM**

The ornamental design for a refractory oven for a refractory cooking device, as shown and described.

DESCRIPTION

FIG. 1 is an upper perspective view of a refractory oven for a refractory cooking device showing our new design; FIG. 2 is a lower perspective view thereof; FIG. 3 is a front view thereof; FIG. 4 is a rear view thereof; FIG. 5 is a right side view thereof; FIG. 6 is a left side view thereof; FIG. 7 is a top view thereof; and, FIG. 8 is a bottom view thereof. The broken lines shown in the figures are for illustrative purposes only and form no part of the claimed design.

1 Claim, 8 Drawing Sheets



(56)

References Cited

U.S. PATENT DOCUMENTS

2006/0102167 A1* 5/2006 Driscoll, Jr. A47J 37/0623
126/275 R
2010/0147281 A1* 6/2010 Gustavsen F24B 1/003
126/21 A
2014/0000585 A1* 1/2014 Touma F24B 1/003
126/9 R

* cited by examiner

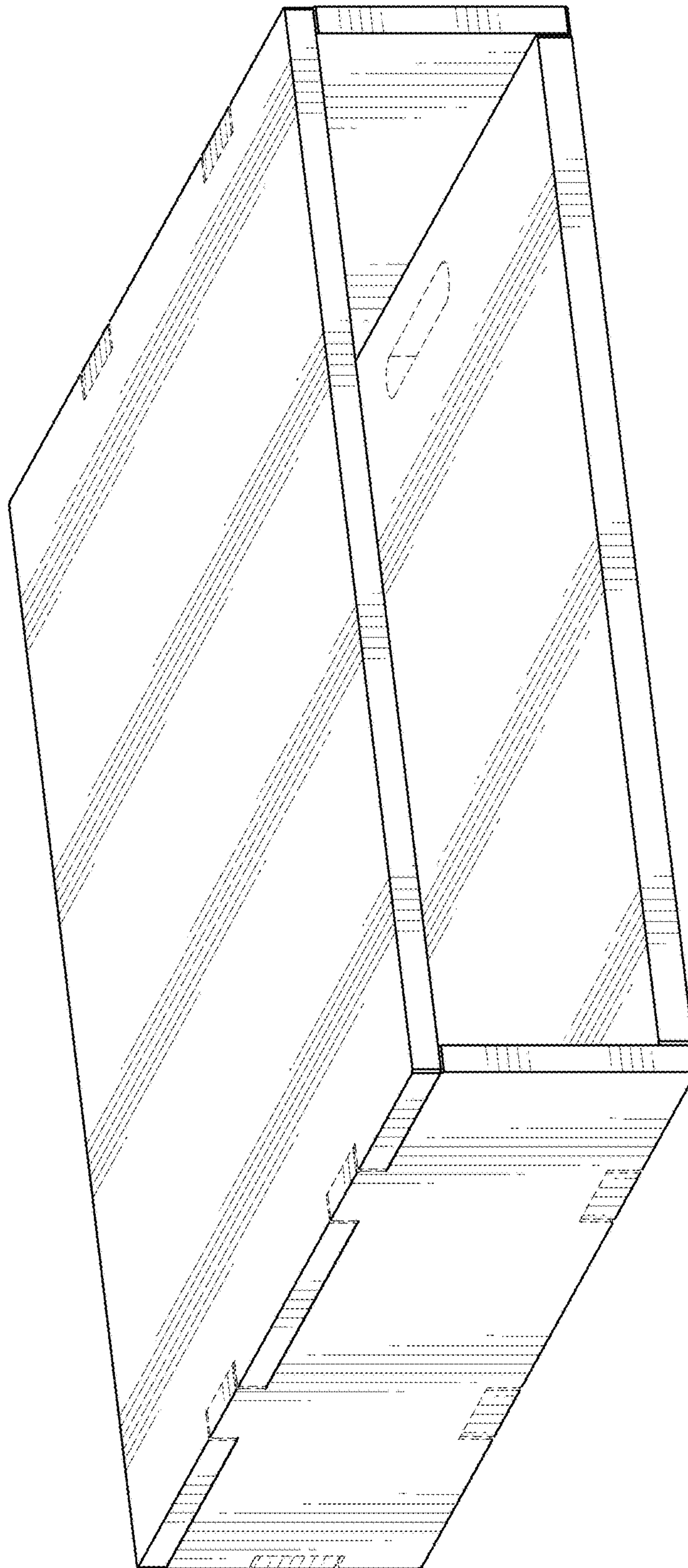


FIG. 1

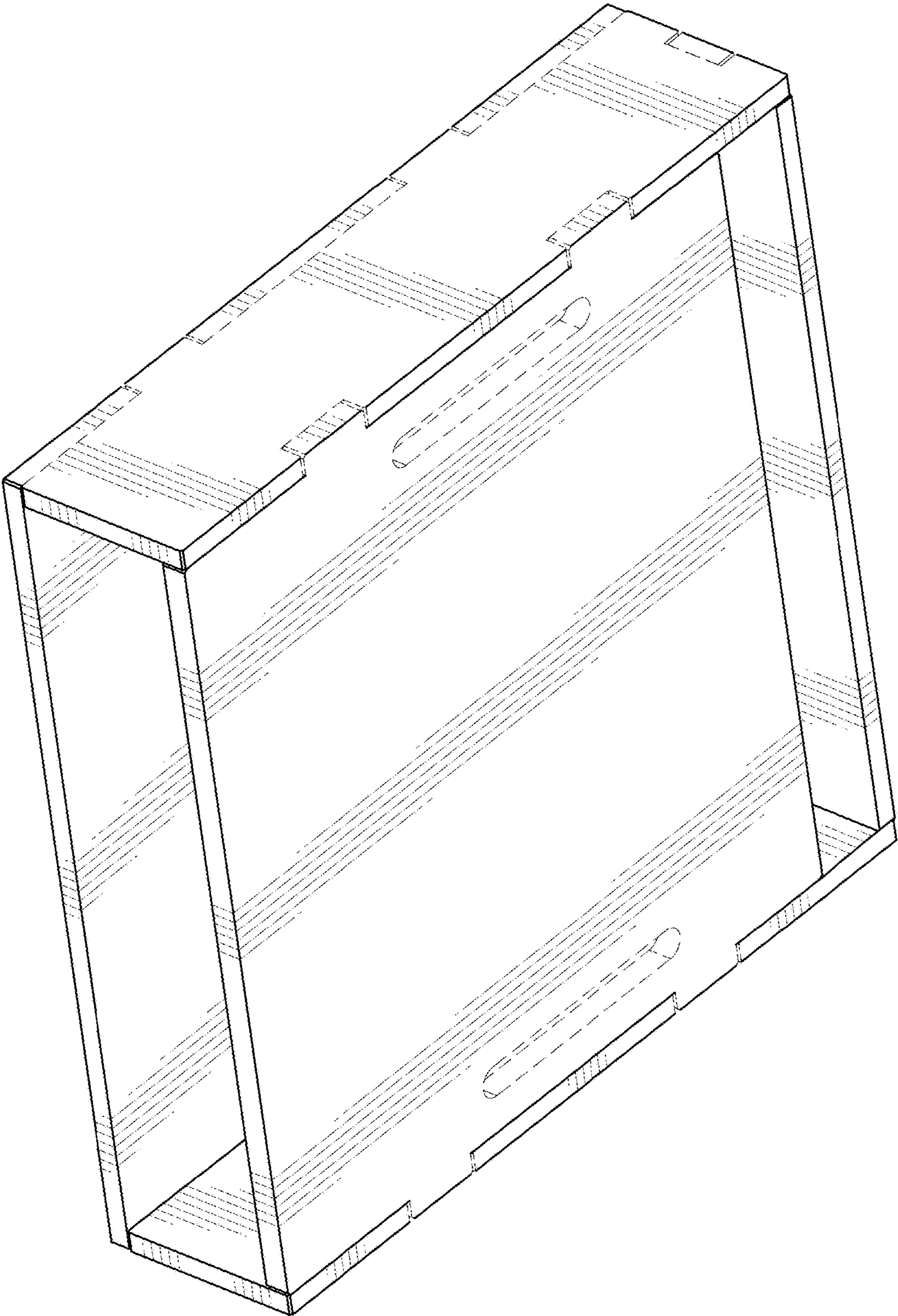


FIG. 2

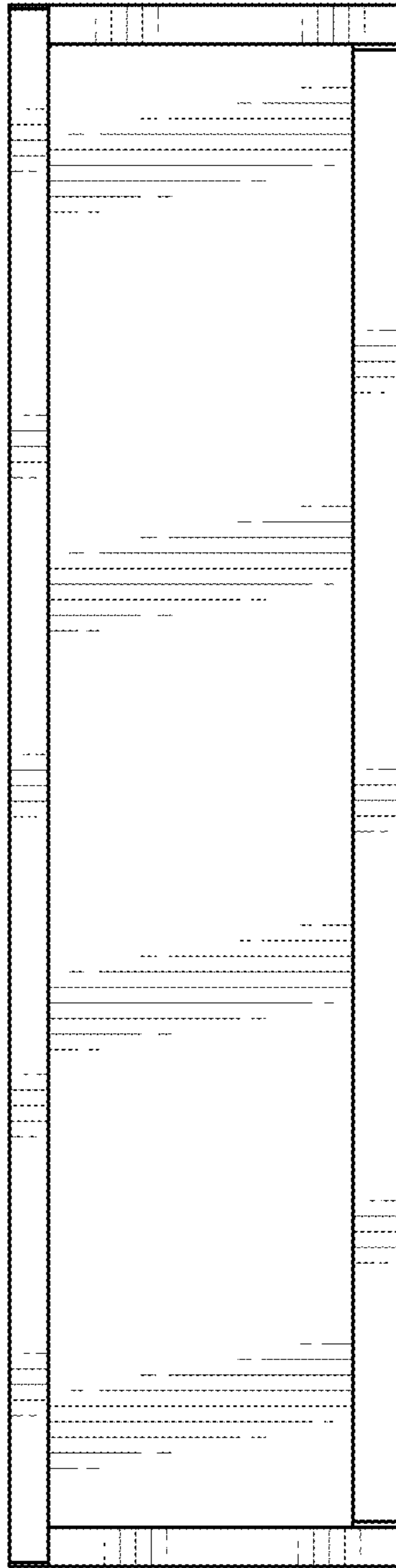


FIG. 3

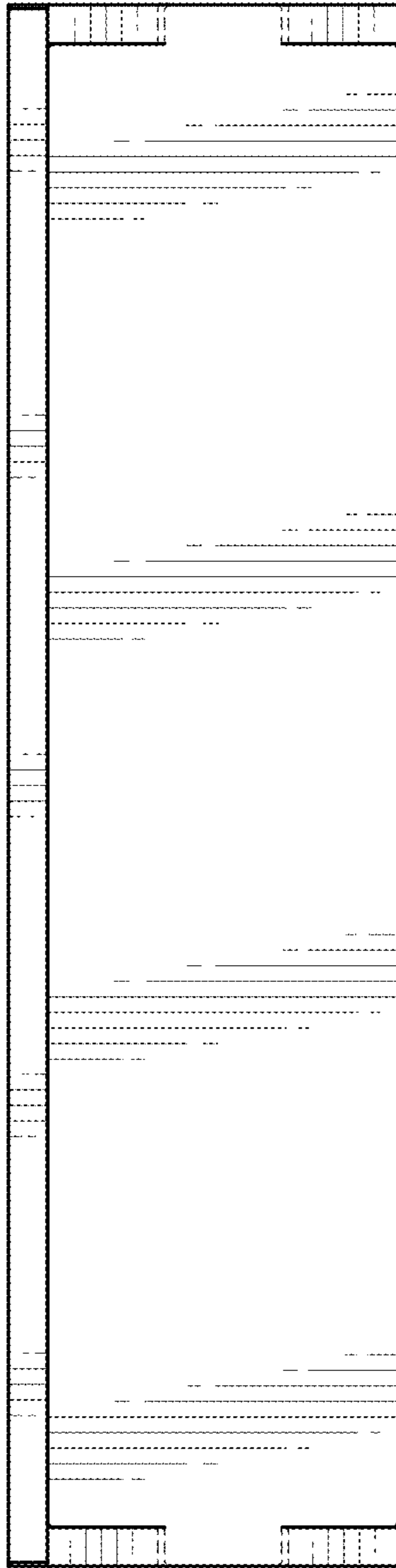


FIG. 4

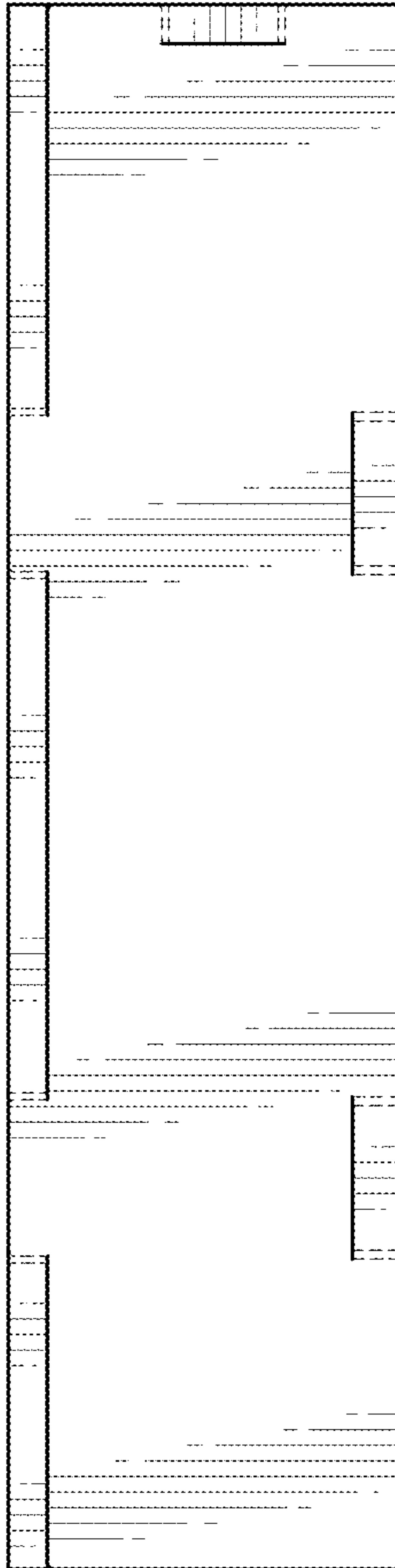


FIG. 5

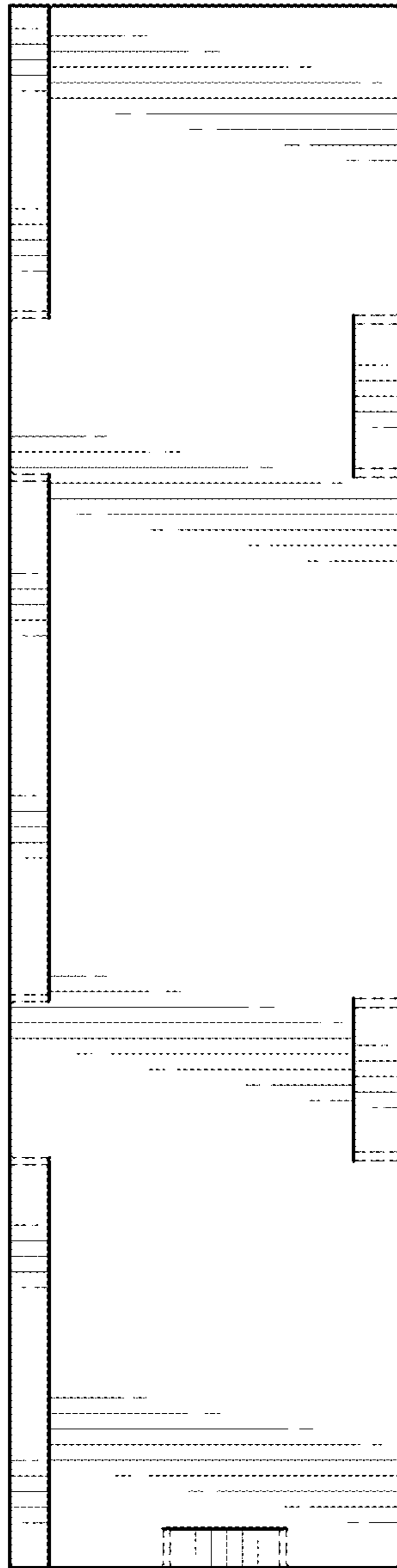


FIG. 6

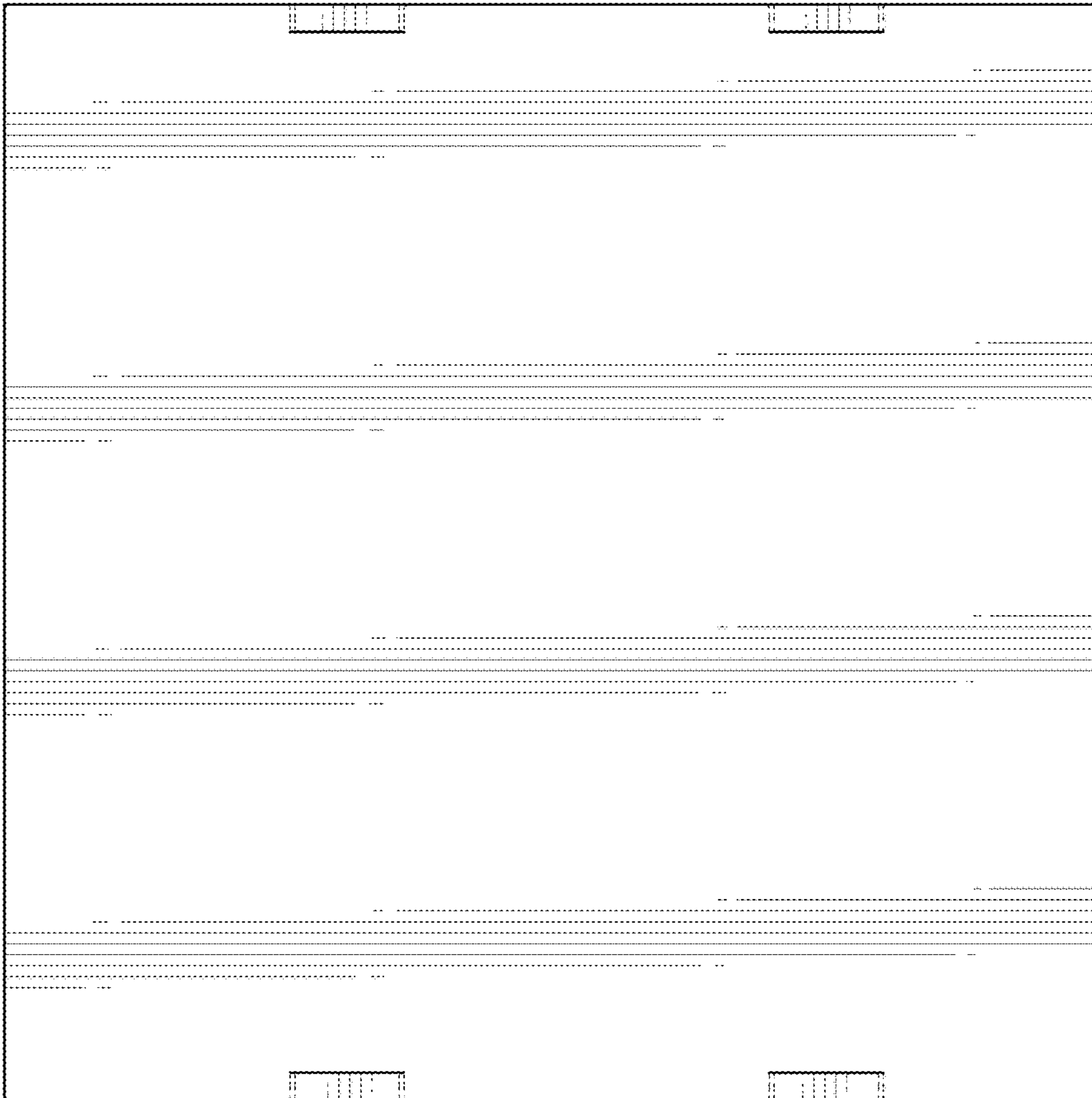


FIG. 7

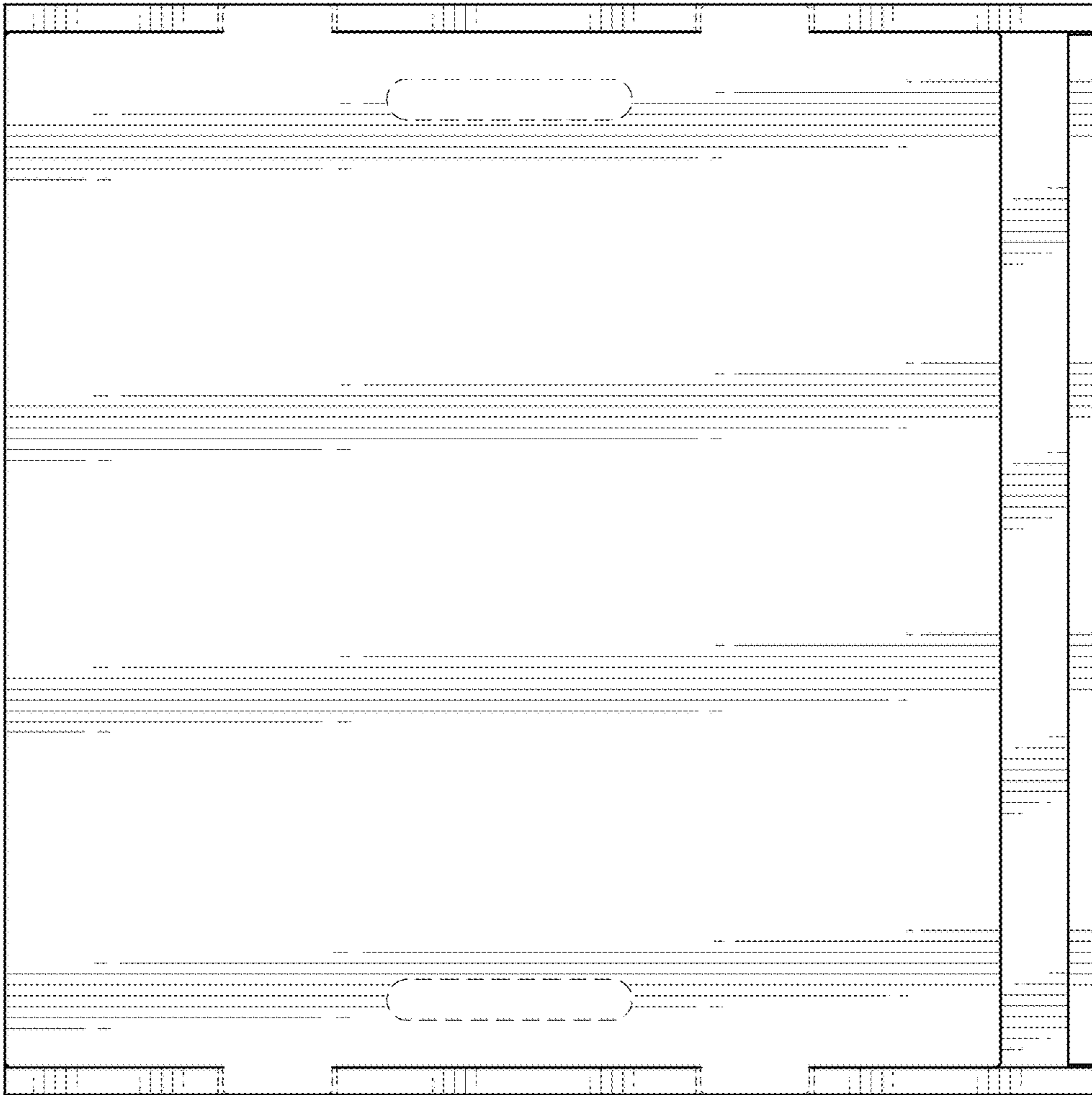


FIG. 8