

US00D821807S

(12) **United States Design Patent**
Yap et al.

(10) **Patent No.:** **US D821,807 S**
(45) **Date of Patent:** **** Jul. 3, 2018**

(54) **LID FOR HOUSEHOLD CONTAINER OR THE LIKE**

(71) Applicant: **DKB Household UK Limited**,
Hampshire (GB)

(72) Inventors: **Jason Yap**, Melbourne (AU); **Oliver Breit**, Discovery Bay (HK)

(73) Assignee: **DKB Household UK Limited** (GB)

(**) Term: **15 Years**

(21) Appl. No.: **29/558,135**

(22) Filed: **Mar. 15, 2016**

(30) **Foreign Application Priority Data**

Sep. 18, 2015 (EM) 002775528-0001

(51) **LOC (11) Cl.** **07-01**

(52) **U.S. Cl.**
USPC **D7/391; D9/435; D9/454; D7/392.1**

(58) **Field of Classification Search**
USPC D3/200, 201, 202, 203.1, 203.2, 270,
D3/271.1, 272, 273, 302, 304, 306,
D3/309-315, 318, 319, 901, 903, 904;
D6/315, 318, 477, 478, 479, 512,
D6/515-525, 532, 536, 553, 567, 570,
D6/571, 672, 677, 681, 683, 683.1, 691,
D6/696, 698, 699, 700, 704, 707.15;
D7/300, 321, 323, 354, 359, 360, 392.1,
D7/396.1, 396.2, 396.4, 412, 417, 500,
D7/505, 509-511, 513, 533, 538-545,
D7/546, 549, 550.1, 552.1, 552.2, 553.1,
D7/553.2, 553.4, 553.5, 553.6, 553.7,
D7/554.1, 555, 558, 566, 568, 584, 586,
D7/600.1, 601, 602, 605, 607, 608, 609,
D7/610, 614, 615, 629, 698, 703, 900;
D9/414, 415, 416, 418, 419, 420, 423,
D9/424, 425, 428-454, 457, 499, 500,

(Continued)

(56) **References Cited**

U.S. PATENT DOCUMENTS

D101,166 S * 9/1936 Forsberg D9/454
3,998,355 A * 12/1976 Galer B65D 21/0219
220/288

(Continued)

OTHER PUBLICATIONS

KnGLuv Stainless Steel Food Storage Container: Announced Oct. 23, 2014 [online]. Site visited Jan. 3, 2018. Available from Internet URL: https://www.amazon.com/KnGLuv-Stainless-Steel-Storage-Container/product-reviews/B00MDNB8C6/ref=cm_cr_ar_p_d_paging_btm_8?ie=UTF8&reviewerType=all_reviews&pageNumber=8.*

(Continued)

Primary Examiner — Jennifer Rivard

Assistant Examiner — Catherine S Posthauer

(74) *Attorney, Agent, or Firm* — Dorsey & Whitney LLP

(57) **CLAIM**

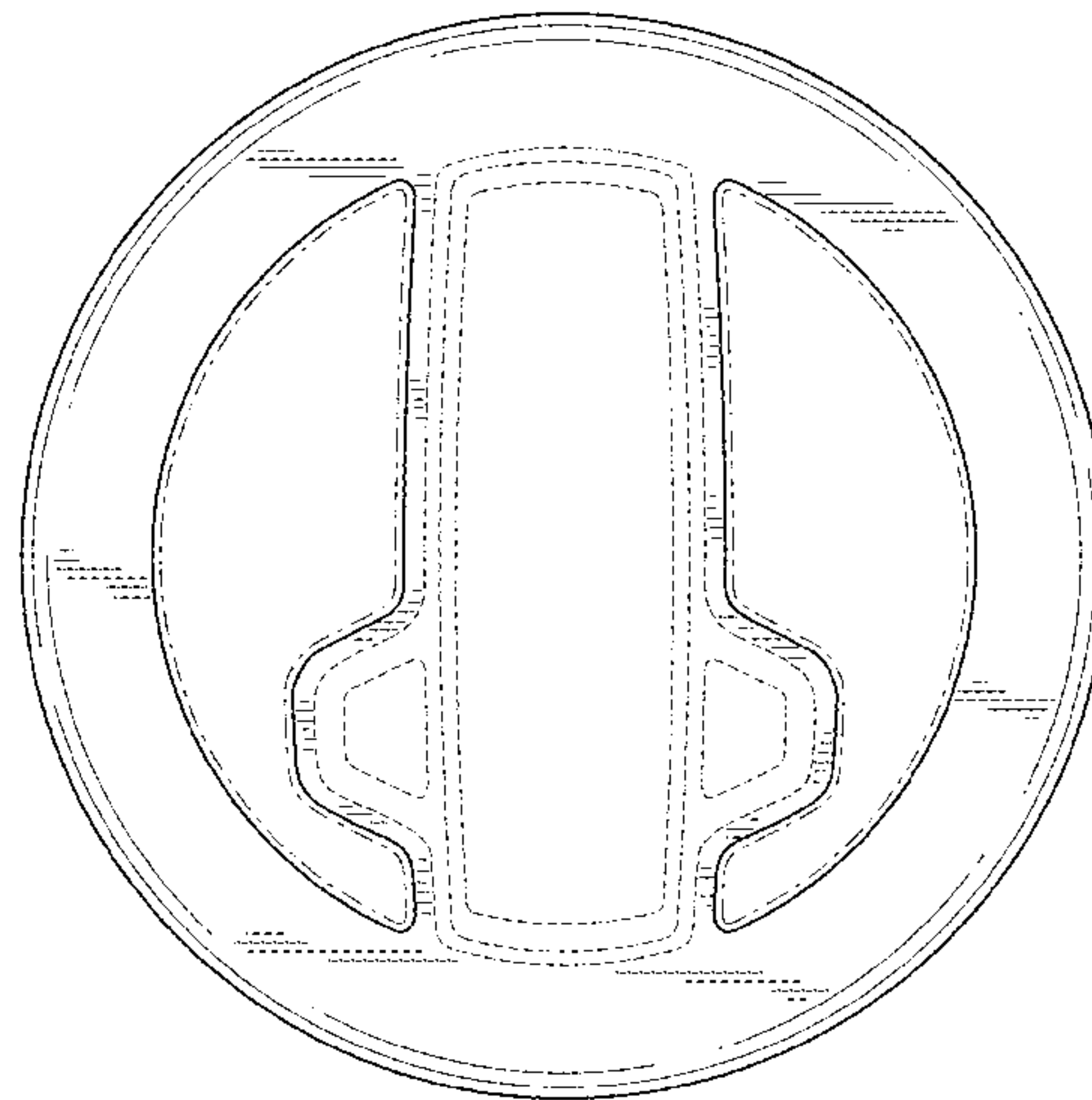
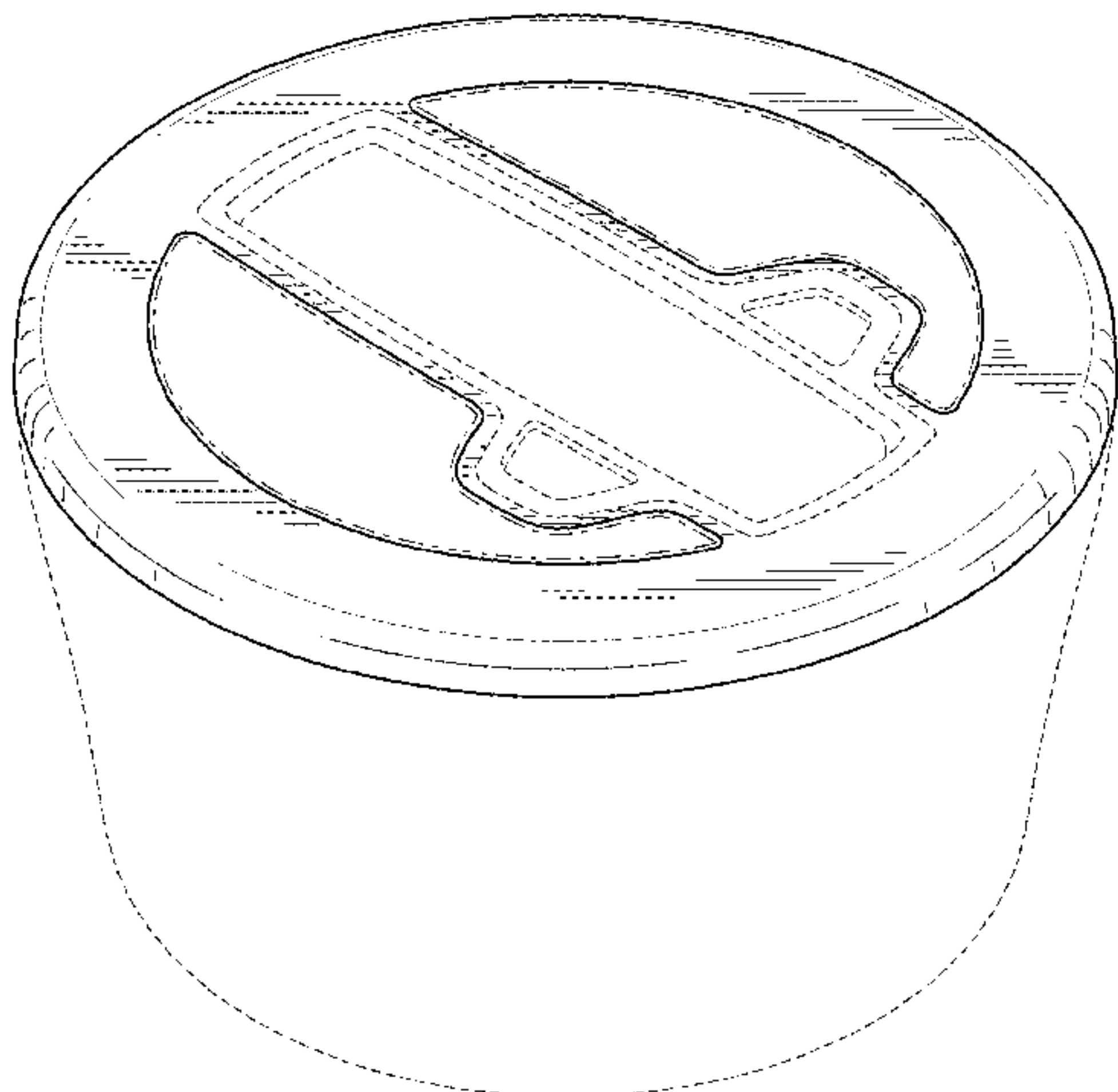
The ornamental design for a lid for household container or the like, as shown and described.

DESCRIPTION

FIG. 1 is an isometric view of a lid for household container or the like in accordance with the present design;
FIG. 2 is a top plan view thereof;
FIG. 3 is a front elevation view thereof;
FIG. 4 is a rear elevation view thereof;
FIG. 5 is a right side elevation view thereof; and,
FIG. 6 is a left side elevation view thereof.

The dash-dash broken lines illustrate features of the lid for household container or the like and environmental structure that form no part of the claimed design. The dash-dot-dash broken lines illustrate the boundaries of the claim and form no part thereof.

1 Claim, 6 Drawing Sheets



(58) **Field of Classification Search**

USPC D9/502-503, 516, 517, 529, 549, 552.1,
 D9/557, 558, 561, 571, 630, 682, 686,
 D9/688, 690, 692, 703, 737, 738, 740,
 D9/741, 744, 755-762, 904; D19/1, 27,
 D19/78.102, 103, 106, 107; D12/163,
 D12/197, 406, 411, 415, 419, 425, 426;
 D24/127, 128, 216, 224, 227, 228, 229,
 D24/230; D21/502, 524, 525, 532, 832;
 D34/7, 10, 11
 CPC .. B65D 47/0866; B65D 47/265; B65D 45/00;
 B65D 45/026; B65D 45/30; B65D
 45/305; B65D 2251/1075; B65D 51/16;
 B65D 51/66; B65D 83/0805; B65D
 43/06; B65D 43/24; B65D 43/161; B65D
 43/023; B65D 43/021; B65D 43/0212;
 B65D 43/0218; B65D 43/162; B65D
 21/0219; B65D 85/36; B65D 1/00; B65D
 1/02; B65D 1/0232; B65D 1/22; B65D
 1/32; B65D 1/34; B65D 1/36; B65D
 1/40; B65D 1/225; B65D 2543/00296;
 B65D 39/00; B65D 39/16; A47G 19/02;
 A47G 19/2211; A47G 19/2265; A47G
 19/2272; A47J 36/06; A01K 97/045;
 A45F 3/16

See application file for complete search history.

(56) **References Cited**

U.S. PATENT DOCUMENTS

4,034,886 A * 7/1977 Galer B65D 21/0219
 206/508
 4,126,246 A * 11/1978 Galer B65D 43/0231
 206/586
 D254,180 S * 2/1980 Morin D7/612
 4,231,490 A * 11/1980 Boudreault A47G 19/02
 220/212.5
 4,413,748 A * 11/1983 Kessler B65D 43/021
 220/212.5
 4,441,623 A * 4/1984 Antoniak B65D 43/0218
 220/254.1
 4,969,572 A * 11/1990 vanKerkhoven B65D 47/265
 220/253
 4,998,989 A * 3/1991 Curiel B65D 43/0212
 215/230
 D342,134 S * 12/1993 Mongeon D24/127
 D479,951 S * 9/2003 Segura D7/608
 D486,358 S * 2/2004 Dais D7/629

D488,345 S * 4/2004 de Groote D7/392.1
 D603,703 S * 11/2009 Daggett B65D 43/161
 D9/449
 D630,905 S * 1/2011 Cornu D7/538
 D660,659 S * 5/2012 Cohen D7/629
 D671,367 S * 11/2012 Shah D7/542
 D673,807 S * 1/2013 Grider D7/391
 D701,700 S * 4/2014 Abdi D3/318
 D708,010 S * 7/2014 Gillette D7/378
 D708,912 S * 7/2014 DeCraim D7/610
 D712,258 S * 9/2014 Grattagliano D9/446
 D714,101 S * 9/2014 Gartz B65D 85/36
 D7/610
 D717,469 S * 11/2014 Nemeth D24/224
 D722,252 S * 2/2015 Lee D7/540
 D727,731 S * 4/2015 Humm D9/449
 D749,948 S * 2/2016 Groglopo Favetto D9/443
 D769,079 S * 10/2016 Kotani D7/608
 D770,845 S * 11/2016 Quinn D7/354
 D772,002 S * 11/2016 Affatato D7/354
 D786,071 S * 5/2017 Miller D9/435
 D794,394 S * 8/2017 Karussi D7/538
 D794,456 S * 8/2017 Rockwell D9/434
 D797,516 S * 9/2017 Meyers D7/589
 D800,511 S * 10/2017 Wong D7/629
 D804,306 S * 12/2017 Simons D9/454
 2002/0148845 A1 * 10/2002 Zettle B65D 43/021
 220/781
 2003/0155363 A1 * 8/2003 Mercier B65D 21/0234
 220/630
 2008/0188365 A1 * 8/2008 Dalla Piazza A47J 43/24
 494/84
 2011/0226768 A1 * 9/2011 Sexton B65D 47/265
 220/252
 2012/0024856 A1 * 2/2012 Smyers A47G 19/02
 220/324
 2014/0283692 A1 * 9/2014 So A47J 43/24
 99/495
 2015/0114985 A1 * 4/2015 Mehdizadeh B65D 83/0805
 221/63
 2016/0255994 A1 * 9/2016 Walker A47J 36/06
 2017/0202195 A1 * 7/2017 Volker A01K 97/045
 2017/0203890 A1 * 7/2017 Lenz B65D 43/162

OTHER PUBLICATIONS

Plastic Household Container: Site Visited Jan. 3, 2018 [online].
 Available from Internet URL: <https://www.indiamart.com/product-detail/plastic-household-container-10221829688.html>.*

Cole & Mason Frozen Herb Mill: Site Visited Jan. 4, 2018.
 Available from Internet URL: <https://www.coleandmasonusa.com/product/cole-mason-frozen-herb-mill/>.*

* cited by examiner

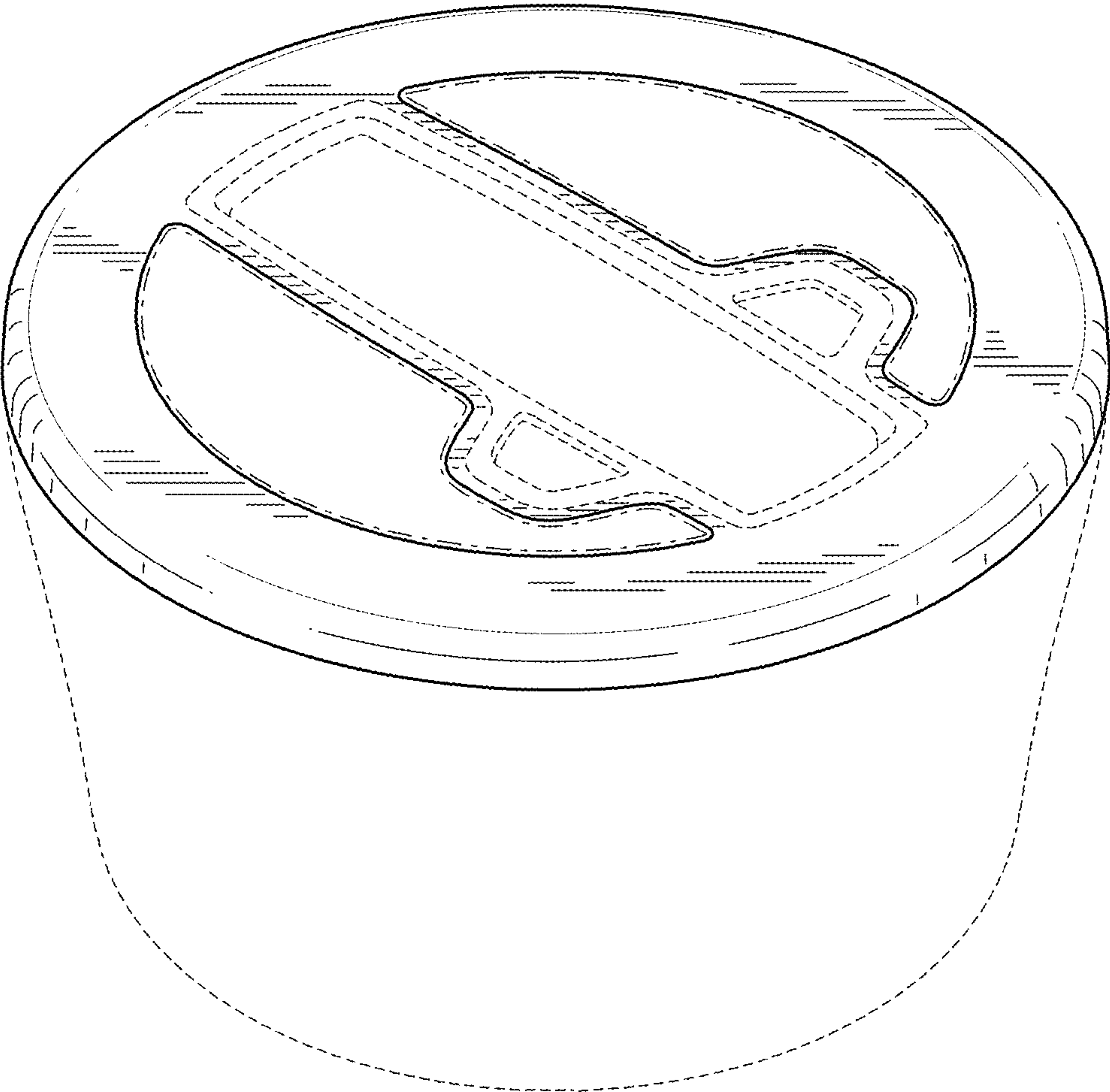


FIG. 1

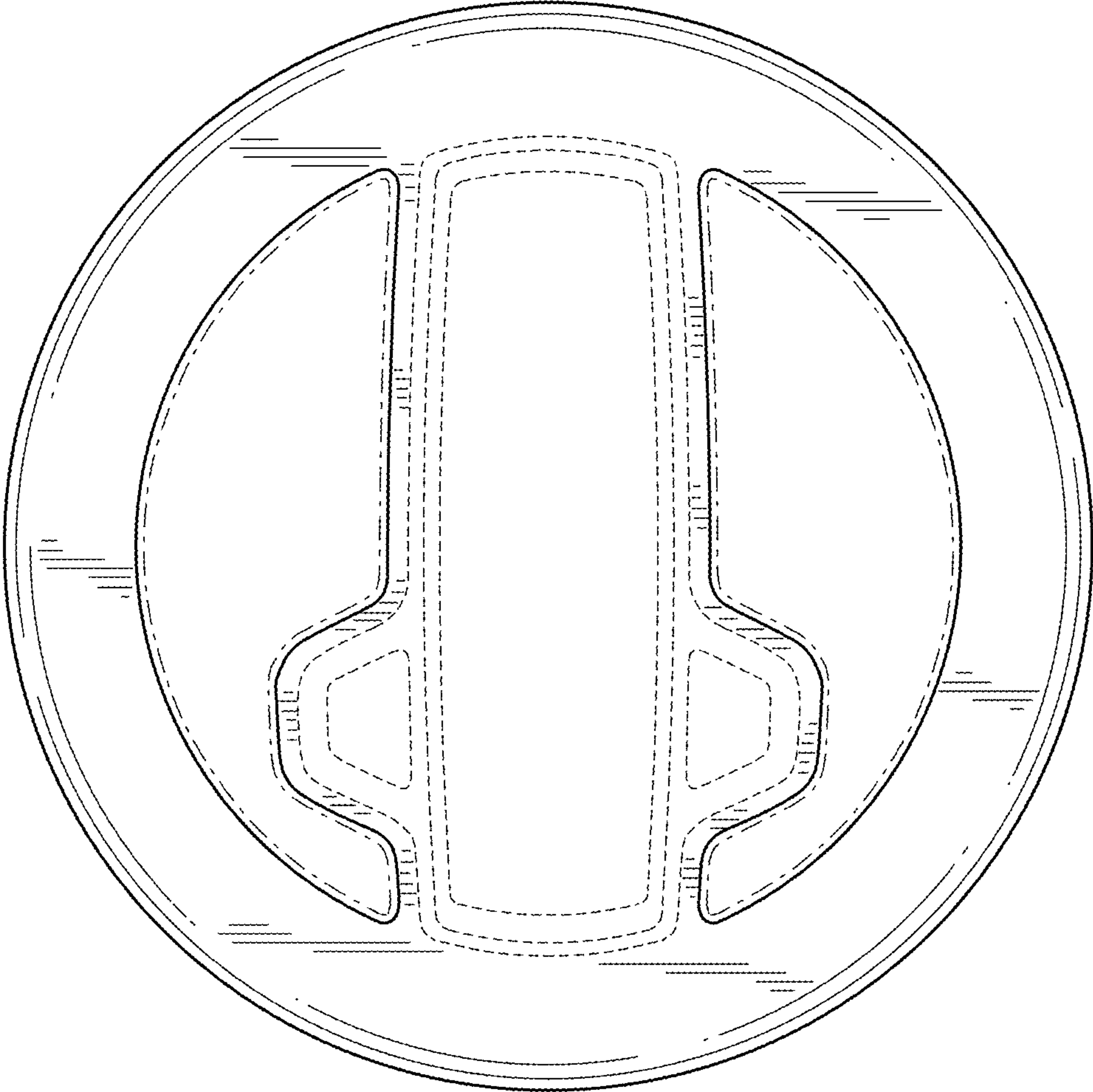


FIG. 2

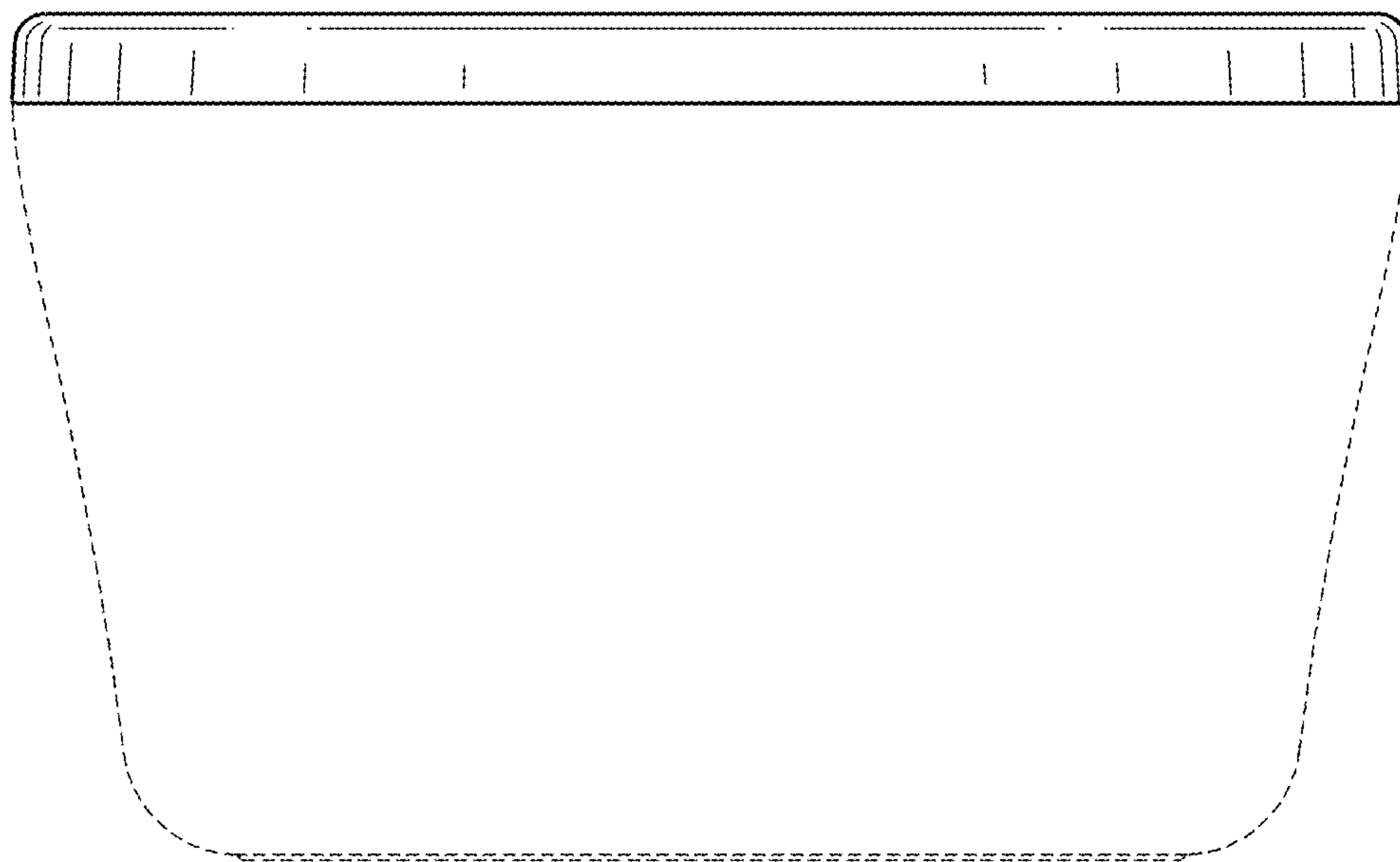


FIG. 3

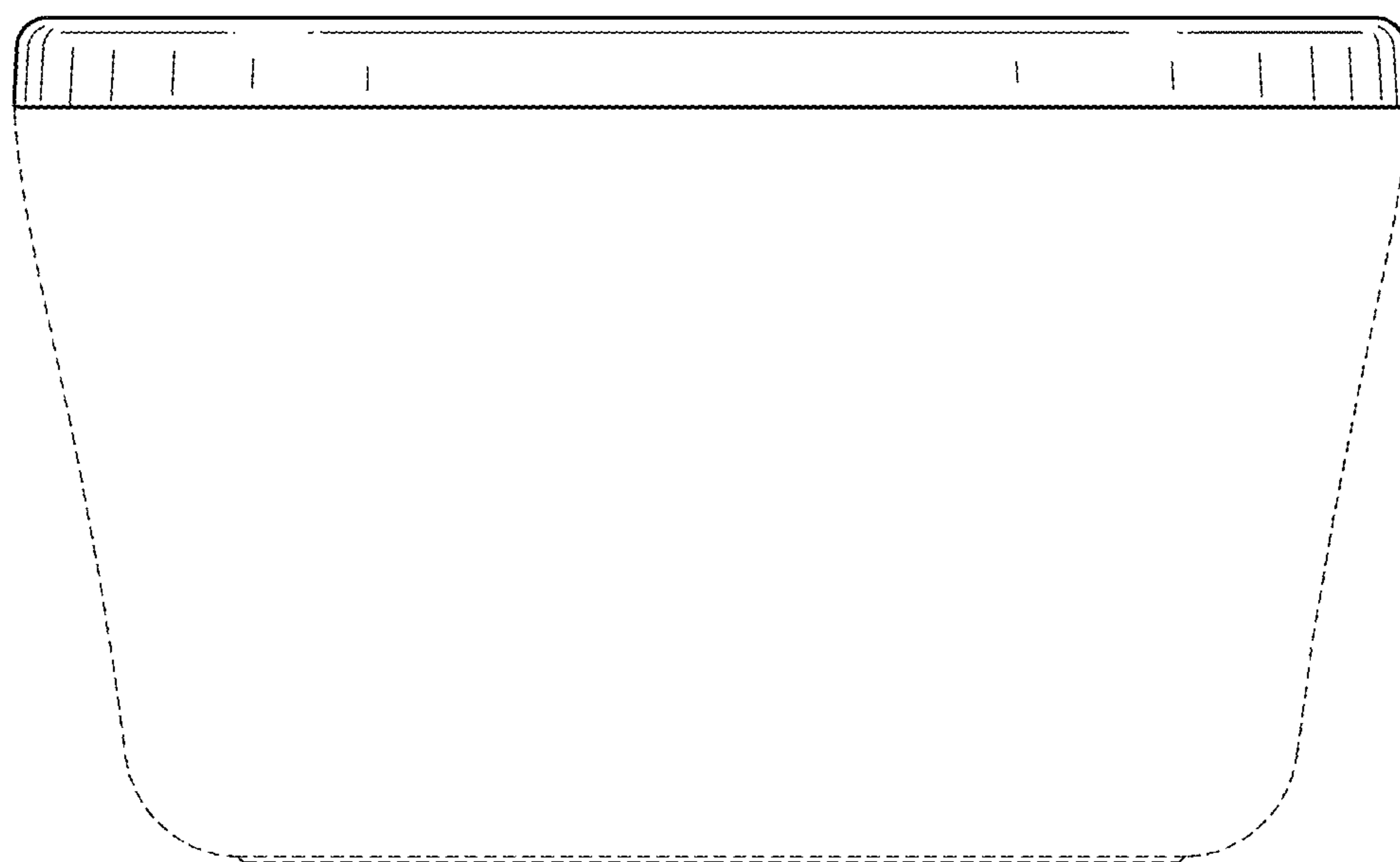


FIG. 4

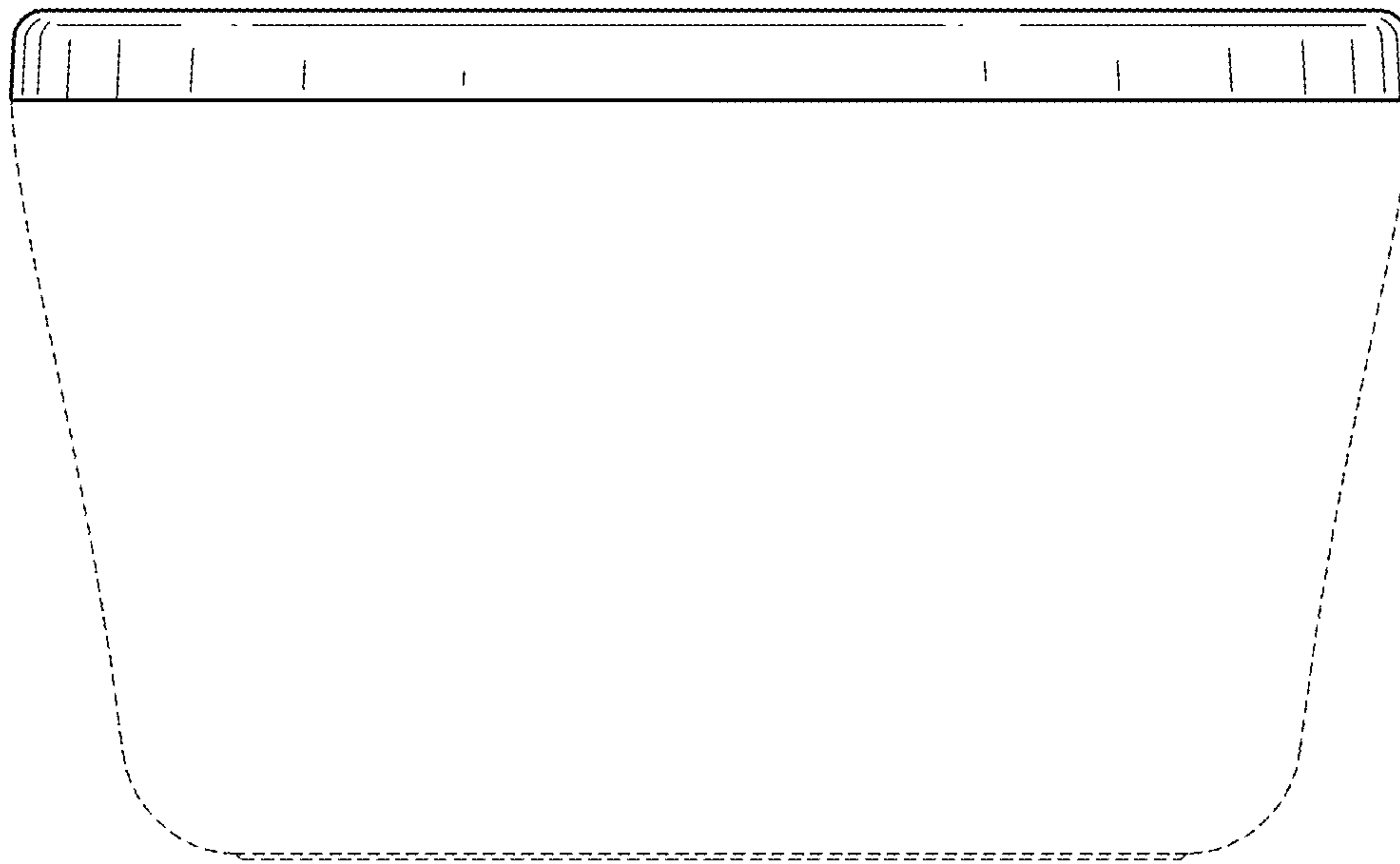


FIG. 5

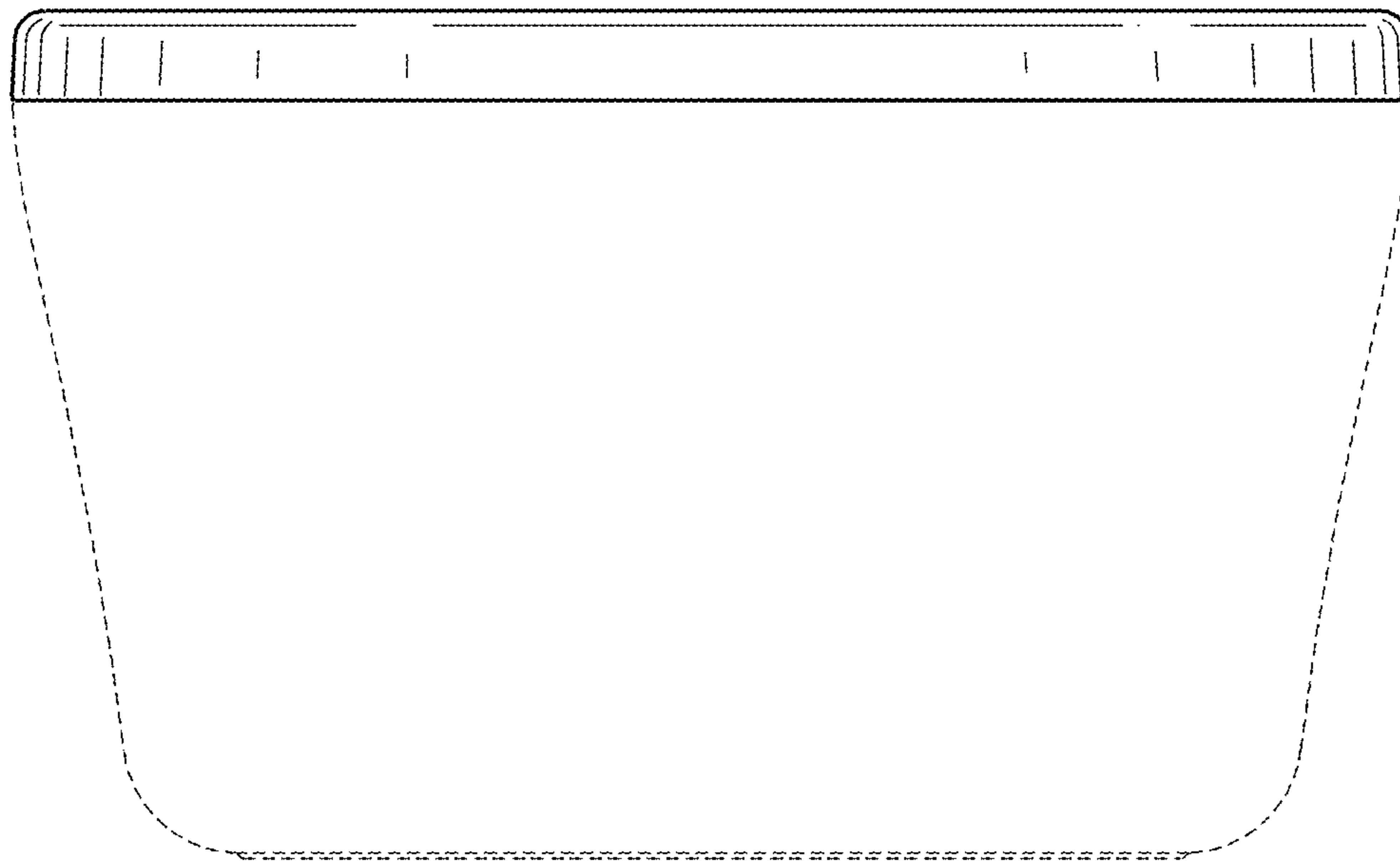


FIG. 6