



US00D821806S

(12) **United States Design Patent**  
**Coakley et al.**

(10) **Patent No.:** **US D821,806 S**  
(45) **Date of Patent:** **\*\* Jul. 3, 2018**

- (54) **BLENDER BASE**
- (71) Applicant: **SharkNinja Operating LLC**, Newton, MA (US)
- (72) Inventors: **Devin Joseph Coakley**, Bellingham, MA (US); **Da Deng**, Newton, MA (US)
- (73) Assignee: **SHARKNINJA OPERATING LLC**, Needham, MA (US)

4,644,838 A 2/1987 Samson et al.  
 D301,824 S 6/1989 MacHuron  
 D349,423 S 8/1994 Burgel  
 (Continued)

**FOREIGN PATENT DOCUMENTS**

FR 2962023 A1 1/2012  
 JP S55175095 U 12/1980  
 WO 2016191538 A1 12/2016

(\*\*) Term: **15 Years**

(21) Appl. No.: **29/571,229**

(22) Filed: **Jul. 15, 2016**

(51) **LOC (11) Cl.** ..... **31-00**

(52) **U.S. Cl.**  
USPC ..... **D7/386**; D7/376; D7/378; D7/412

(58) **Field of Classification Search**  
 USPC ..... D7/372, 376-386, 412-413, 602, 629,  
 D7/665-666, 669, 679, 693-694  
 CPC .... A21C 1/02; A21C 1/04; A23N 1/00; A23N  
 1/02; A47J 43/04; A47J 43/25; A47J  
 43/27; A47J 43/042; A47J 43/044; A47J  
 43/046; A47J 43/075; A47J 43/0722;  
 A47J 43/0727; B01F 3/00; B01F 3/0807;  
 B01F 3/0853; B01F 13/0059; B01F  
 13/0064; B01F 7/162; B02C 1/08; B02C  
 2/04; B02C 4/42; B02C 4/142; B02C  
 4/143; B02C 4/423; B02C 13/1835; B28C  
 5/10; B28C 5/12; B28C 5/14; B28C 5/16  
 See application file for complete search history.

(56) **References Cited**

**U.S. PATENT DOCUMENTS**

D181,541 S 11/1957 Madl et al.  
 3,392,768 A 7/1968 Anliker  
 D214,227 S 5/1969 Madl et al.  
 D241,404 S 9/1976 Mantelet  
 D242,208 S 11/1976 Madl et al.

**OTHER PUBLICATIONS**

International Search Report; International Application No. PCT/  
 US2016/034287; International Filing Date: May 26, 2016; Date of  
 Mailing: Jul. 18, 2016; 5 Pages.

(Continued)

*Primary Examiner* — Ricky Pham  
 (74) *Attorney, Agent, or Firm* — Cantor Colburn LLP

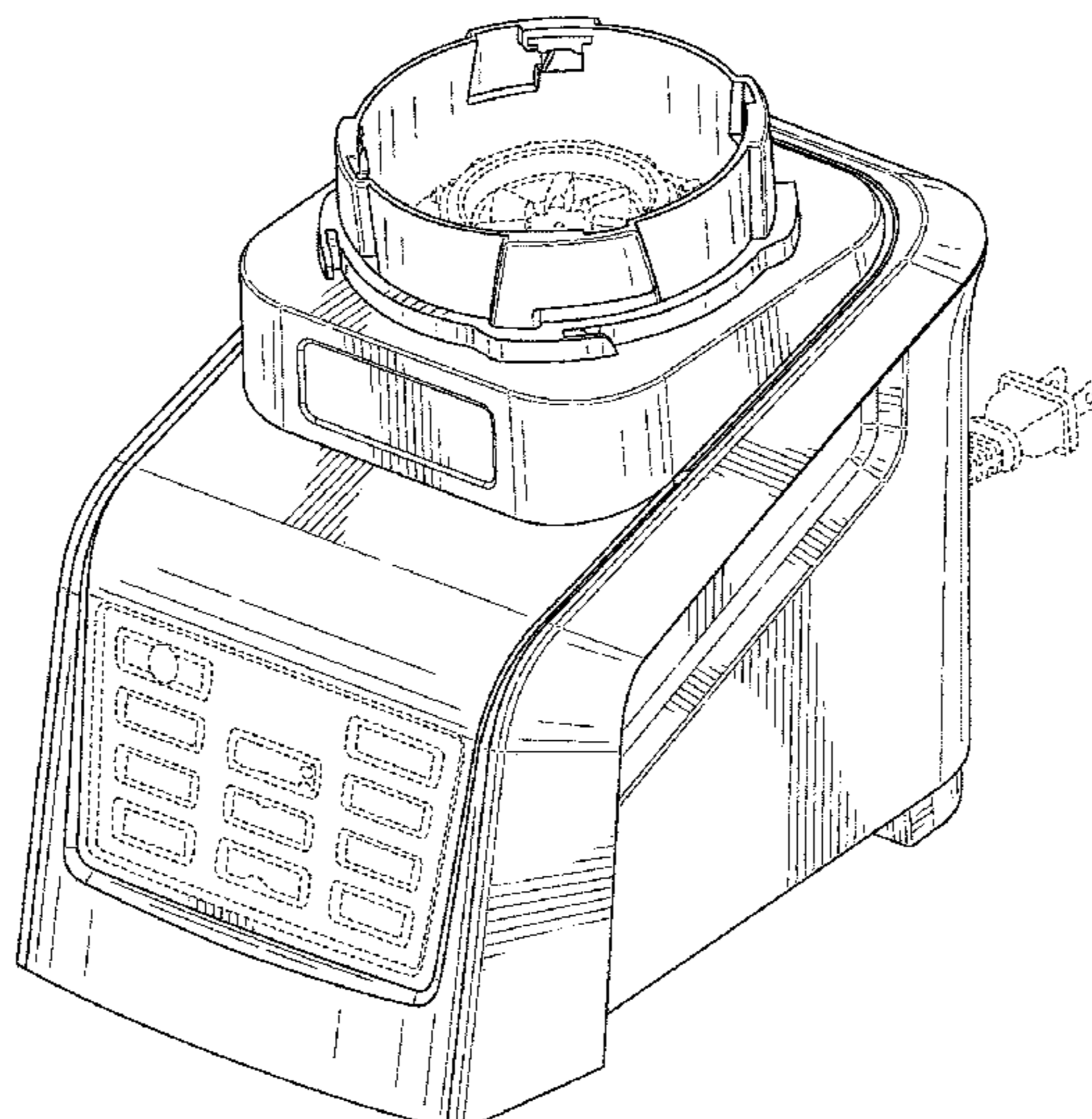
(57) **CLAIM**

The ornamental design for blender base, as shown and described.

**DESCRIPTION**

FIG. 1 is a perspective view of a blender base showing our new design.  
 FIG. 2 is a front view of the embodiment shown in FIG. 1;  
 FIG. 3 is a rear view of the embodiment shown in FIG. 1;  
 FIG. 4 is a side view of the embodiment shown in FIG. 1;  
 FIG. 5 is another side view of the embodiment shown in FIG. 1;  
 FIG. 6 is a top view of the embodiment shown in FIG. 1;  
 and,  
 FIG. 7 is a bottom view of the embodiment shown in FIG. 1.  
 The broken lines in the figures are for environmental purposes only and form no part of the claimed design.

**1 Claim, 7 Drawing Sheets**



(56)

References Cited

U.S. PATENT DOCUMENTS

D400,757 S 11/1998 Hippen et al.  
 5,839,826 A 11/1998 Eubanks  
 D406,154 S 2/1999 Copland et al.  
 6,029,568 A 2/2000 Pascotti et al.  
 D424,371 S 5/2000 Delmonte  
 D426,423 S 6/2000 Lee  
 D437,730 S 2/2001 Littmann  
 D444,344 S 7/2001 Barthelemy et al.  
 D445,644 S 7/2001 Littmann  
 D466,362 S 12/2002 Moore  
 D475,582 S 6/2003 To  
 D480,915 S 10/2003 Kolar et al.  
 D498,642 S 11/2004 Huang  
 D502,047 S \* 2/2005 Ledingham ..... D7/384  
 7,044,051 B2 5/2006 Le Rouzic  
 D526,531 S 8/2006 Drees et al.  
 D528,363 S 9/2006 Ulanski et al.  
 D528,364 S 9/2006 Kolar et al.  
 D533,395 S 12/2006 Drees et al.  
 D538,595 S 3/2007 White et al.  
 D552,412 S \* 10/2007 Steiner ..... D7/378  
 D552,419 S \* 10/2007 Picozza ..... D7/412  
 D577,537 S \* 9/2008 Lee ..... D7/378  
 D578,340 S 10/2008 Picozza et al.  
 D605,462 S \* 12/2009 Picozza ..... D7/378  
 D617,136 S 6/2010 Bock et al.  
 D617,145 S \* 6/2010 Picozza ..... D7/378  
 7,753,223 B2 7/2010 Boozer et al.  
 D621,656 S 8/2010 Ulanski et al.  
 D625,141 S 10/2010 Moore  
 D637,870 S 5/2011 Bock  
 D638,256 S 5/2011 Wu  
 D642,858 S 8/2011 Lazzer  
 D644,478 S 9/2011 Czach  
 D644,480 S 9/2011 Czach et al.  
 D645,301 S 9/2011 Tse  
 D647,357 S \* 10/2011 Audette ..... D7/376  
 D647,367 S 10/2011 Audette et al.  
 D647,368 S 10/2011 Audette et al.  
 D654,305 S 2/2012 Gursel et al.  
 D660,642 S 5/2012 Boozer et al.  
 D661,947 S 6/2012 Conti et al.  
 D662,359 S 6/2012 Boozer et al.  
 D667,261 S 9/2012 Lee et al.  
 D668,100 S \* 10/2012 Palermo ..... D7/376  
 D670,532 S 11/2012 Boozer et al.  
 D677,976 S \* 3/2013 Palermo ..... D7/376  
 D678,726 S 3/2013 Palermo et al.  
 D679,543 S 4/2013 Repac  
 D682,606 S 5/2013 Machovina et al.  
 D684,818 S 6/2013 Lee  
 D690,152 S \* 9/2013 Palermo ..... D7/376  
 D694,573 S \* 12/2013 Norland ..... D7/376  
 D694,574 S 12/2013 Norland et al.  
 D694,582 S \* 12/2013 Norland ..... D7/376  
 D694,583 S 12/2013 Norland  
 D696,063 S 12/2013 Coakley et al.  
 D698,210 S 1/2014 Lavy et al.  
 D702,078 S 4/2014 Coakley et al.  
 D702,999 S 4/2014 Audette et al.  
 D704,502 S \* 5/2014 Coakley ..... D7/376  
 D705,606 S 5/2014 Coakley et al.  
 8,721,164 B2 5/2014 Audette  
 D711,682 S 8/2014 Norland et al.  
 D711,688 S \* 8/2014 Prats ..... D7/378  
 8,834,015 B2 9/2014 White et al.  
 D715,602 S 10/2014 Schillheim  
 D730,681 S 6/2015 Smith et al.  
 D730,682 S 6/2015 Tu  
 D730,683 S 6/2015 Tu  
 D731,850 S 6/2015 Smith  
 D733,488 S \* 7/2015 Tu ..... D7/376  
 D742,172 S 11/2015 Dickson, Jr. et al.  
 D746,630 S 1/2016 Ji  
 9,265,381 B2 \* 2/2016 Beber ..... A47J 43/0722

D755,003 S \* 5/2016 Palermo ..... D7/376  
 9,420,915 B2 8/2016 Dickson, Jr. et al.  
 D765,465 S \* 9/2016 Du ..... D7/376  
 D769,061 S 10/2016 Diderotto  
 D771,999 S \* 11/2016 Kettavong ..... D7/376  
 D773,247 S \* 12/2016 Barquin ..... D7/376  
 D778,665 S \* 2/2017 Barquin ..... D7/376  
 D779,265 S \* 2/2017 Barquin ..... D7/378  
 D780,507 S \* 3/2017 Barquin ..... D7/376  
 D783,340 S \* 4/2017 Palermo ..... D7/376  
 D783,354 S 4/2017 Smith  
 D784,069 S \* 4/2017 Blaise ..... D7/376  
 D784,761 S 4/2017 Tu  
 D785,403 S 5/2017 Smith  
 D786,614 S \* 5/2017 Tsai ..... D7/376  
 D786,615 S \* 5/2017 Tsai ..... D7/376  
 9,635,981 B2 \* 5/2017 Barnard ..... A47J 43/046  
 D788,520 S \* 6/2017 Blaise ..... D7/376  
 D789,735 S \* 6/2017 Palermo ..... D7/376  
 D793,153 S \* 8/2017 Tu ..... D7/376  
 D795,005 S \* 8/2017 Coakley ..... D7/376  
 D797,496 S \* 9/2017 Gee, II ..... D7/376  
 D807,118 S \* 1/2018 Kettavong ..... D7/412  
 9,855,535 B2 \* 1/2018 Arnett ..... B01F 7/162  
 2006/0018189 A1 1/2006 Chien  
 2006/0198241 A1 9/2006 Krishnachaitanya et al.  
 2007/0144326 A1 6/2007 De Buyer  
 2008/0089171 A1 \* 4/2008 Larsen ..... A47J 43/046  
 366/206  
 2010/0058940 A1 3/2010 Rivera  
 2012/0024993 A1 2/2012 Audette et al.  
 2012/0027902 A1 \* 2/2012 Audette ..... A47J 43/0777  
 426/518  
 2014/0165408 A1 6/2014 Schillheim  
 2014/0247686 A1 \* 9/2014 Arnett ..... A47J 43/046  
 366/205  
 2016/0331182 A1 \* 11/2016 Golino ..... B02C 25/00

OTHER PUBLICATIONS

Notice of Allowance; U.S. Appl. No. 29/532,039, filed Jul. 1, 2015; Blender Container; Notification Date: Dec. 14, 2016; 9 Pages.  
 Restriction Requirement; U.S. Appl. No. 29/532,039, filed Jul. 1, 2015; Blender Container; Notification Date: Aug. 9, 2016; 6 Pages.  
 Written Opinion of the International Searching Authority; International Application No. PCT/US2016/034287; International Filing Date: May 26, 2016; Date of Mailing: Jul. 18, 2016; 4 Pages.  
 International Search Report; International Application No. PCT/US2017/016364; filed Feb. 3, 2017; dated May 10, 2017; 7 Pages.  
 Notice of Allowance; U.S. Appl. No. 29/532,039; filed Jul. 1, 2015; Blender Container; dated Oct. 24, 2016; 7 Pages.  
 Notice of Completion of Formalities for Patent Register and Notice of Grant of Design Patent Right; Chinese Application No. 2017300123877; dated Apr. 28, 2017; 5 Pages.  
 Notice of Completion of Formalities for Patent Register and Notice of Grant of Design Patent Right; Chinese Application No. 2017300139659; dated Jun. 20, 2017; 5 Pages.  
 Notice of Completion of Formalities for Patent Register and Notice of Grant of Design Patent Right; Chinese Application No. 2017300140139; dated Apr. 28, 2017; 5 Pages.  
 Notice of Completion of Formalities for Patent Register and Notice of Grant of Design Patent Right; Chinese Application No. 2017300161830; dated May 15, 2017; 5 Pages.  
 Notice of Completion of Formalities for Patent Register and Notice of Grant of Design Patent Right; Chinese Application No. 2017300161968; dated Jun. 16, 2017; 5 Pages.  
 Notice of Decision for Design Registration; Korean Application No. 30/2017-0002350; dated Jun. 20, 2017; 6 Pages.  
 Notice of Decision for Design Registration; Korean Application No. 30/2017-0002351; dated Jun. 20, 2017; 6 Pages.  
 Notice of Decision for Design Registration; Korean Application No. 30/2017-0002352; dated Jun. 20, 2017; 6 Pages.  
 Requirement for Restriction/Election; U.S. Appl. No. 29/571,224; filed Jul. 15, 2016; Food Processor Container and Top Thereof; dated Jul. 5, 2017; 12 Pages.

(56)

**References Cited**

## OTHER PUBLICATIONS

Requirement for Restriction/Election; U.S. Appl. No. 29/571,226; filed Jul. 15, 2016; Food Processor Container and Top Thereof; dated Jul. 5, 2017; 12 Pages.

Requirement for Restriction/Election; U.S. Appl. No. 29/571,227; filed Jul. 15, 2016; Blender Container; dated Jul. 3, 2017; 12 Pages.

Written Opinion of the International Searching Authority; International Application No. PCT/US2017/016364; filed Feb. 3, 2017; dated May 10, 2017; 8 Pages.

Application for Registration of an Industrial Design Examiner's Report; Canada Application No. 172490; dated May 15, 2017; 3 Pages.

Application for Registration of an Industrial Design Examiner's Report; Canada Application No. 172491; dated May 15, 2017; 4 Pages.

Application for Registration of an Industrial Design Examiner's Report; Canada Application No. 172492; dated May 15, 2017; 4 Pages.

Notice of Allowance; U.S. Appl. No. 29/596,920; filed Mar. 13, 2017; Blender Container; dated Jul. 11, 2017; 15 Pages.

Application for Registration of an Industrial Design Examiner's Report; Canadian Application No. 172493; dated Aug. 30, 2017; 15 Pages.

Notice of Allowance U.S. Appl. No. 29/571,224; filed Jul. 15, 2016; Food Processor Container and top thereof; dated Sep. 20, 2017; 28 Pages.

Notice of Allowance; U.S. Appl. No. 29/571,226; filed Jul. 15, 2016; Food Processor Container and top thereof; dated Sep. 19, 2017; 27 Pages.

Notice of Allowance; U.S. Appl. No. 29/571,227; filed Jul. 15, 2016; Blender Container; dated Sep. 19, 2017; 27 Pages.

Notice of Allowance; U.S. Appl. No. 29/596,920; filed Mar. 13, 2017; Blender Container; dated Sep. 1, 2017; 9 Pages.

Application for Registration of an Industrial Design Examiner's Report; Canadian Application No. 160489; dated May 5, 2015; 3 Pages.

Application for Registration of an Industrial Design Examiner's Report; Canadian Application No. 160491; dated May 5, 2015; 2 Pages.

Certificate of Design Registration; Korean Application No. 30/2015-0001228; dated Sep. 18, 2015; 2 Pages.

Certificate of Design Registration; Korean Application No. 30/2015-0001229 [M001]; dated Sep. 18, 2015; 2 Pages.

Certificate of Design Registration; Korean Application No. 30/2015-0001229 [M002]; dated Sep. 18, 2015; 2 Pages.

Design Application Pre-Registration Formalities Check Notice No. 1; Australian Application No. 201416652; dated Jan. 12, 2015; 2 Pages.

Examination Report; New Zealand Application No. 419693; dated Jan. 6, 2015; 1 Page.

Examination Report; New Zealand Application No. 419694; dated Jan. 6, 2015; 2 Pages.

Industrial Design Certificate of Registration; Canadian Application No. 160489; dated Sep. 9, 2015; 13 Pages.

Industrial Design Certificate of Registration; Canadian Application No. 160491; dated Sep. 9, 2015; 13 Pages.

Japanese Design Patent No. D1491536 (S); Publication Date: Mar. 3, 2014; 7 Pages.

Notice of Allowance; U.S. Appl. No. 29/496,945; filed Jul. 18, 2014; Blender Base; dated Feb. 6, 2015; 11 Pages.

Notice of Allowance; U.S. Appl. No. 29/496,946; filed Jul. 18, 2014; Blender Base; dated Apr. 21, 2015; 8 Pages.

Notice of Allowance; U.S. Appl. No. 29/496,946; filed Jul. 18, 2014; Blender Base; dated May 26, 2015; 4 Pages.

Notice of Preliminary Rejection; Korean Application No. 30/2015-0001228 [M001]; dated May 26, 2015; 3 Pages.

Notice of Preliminary Rejection; Korean Application No. 30/2015-0001229 [M001]; dated May 26, 2015; 3 Pages.

Notice of Preliminary Rejection; Korean Application No. 30/2015-0001229 [M002]; dated May 26, 2015; 3 Pages.

Notice of the Registration of the Communicaty Designs; European Communication Design Application Nos. 002611905-0001, 002611905-0002, 002611905-0003, 002611905-0004, 002611905-0005, 002611905-0006; dated Jan. 27, 2015; 6 Pages.

Notification of Registration of a Design; Australian Application No. 201416648; dated Jan. 13, 2015; 9 Pages.

Notification of Registration of a Design; Australian Application No. 201416652; dated Feb. 20, 2015; 9 Pages.

Notification on Patent Registration Formalities and Notification on Grant of Patent Right for Design; Chinese Application No. 201430559074.X; dated Apr. 30, 2015; 4 Pages.

Notification on Patent Registration Formalities and Notification on Grant of Patent Right for Design; Chinese Application No. 201430559202.0; dated May 28, 2015; 4 Pages.

Registered Design Information; New Zealand Application No. 419693; dated Mar. 3, 2015; 10 Pages.

Registered Design Information; New Zealand Application No. 419694; dated Mar. 3, 2015; 10 Pages.

Requirement for Restriction/Election; U.S. Appl. No. 29/496,946, filed Jul. 18, 2014; Blender Base; dated Feb. 4, 2015; 10 Pages.

Decision of Registration; Japanese Design Application No. 2014-029289; dated Jul. 6, 2015; 2 Pages.

Decision of Registration; Japanese Design Application No. 2014-029290; dated May 7, 2015; 2 Pages.

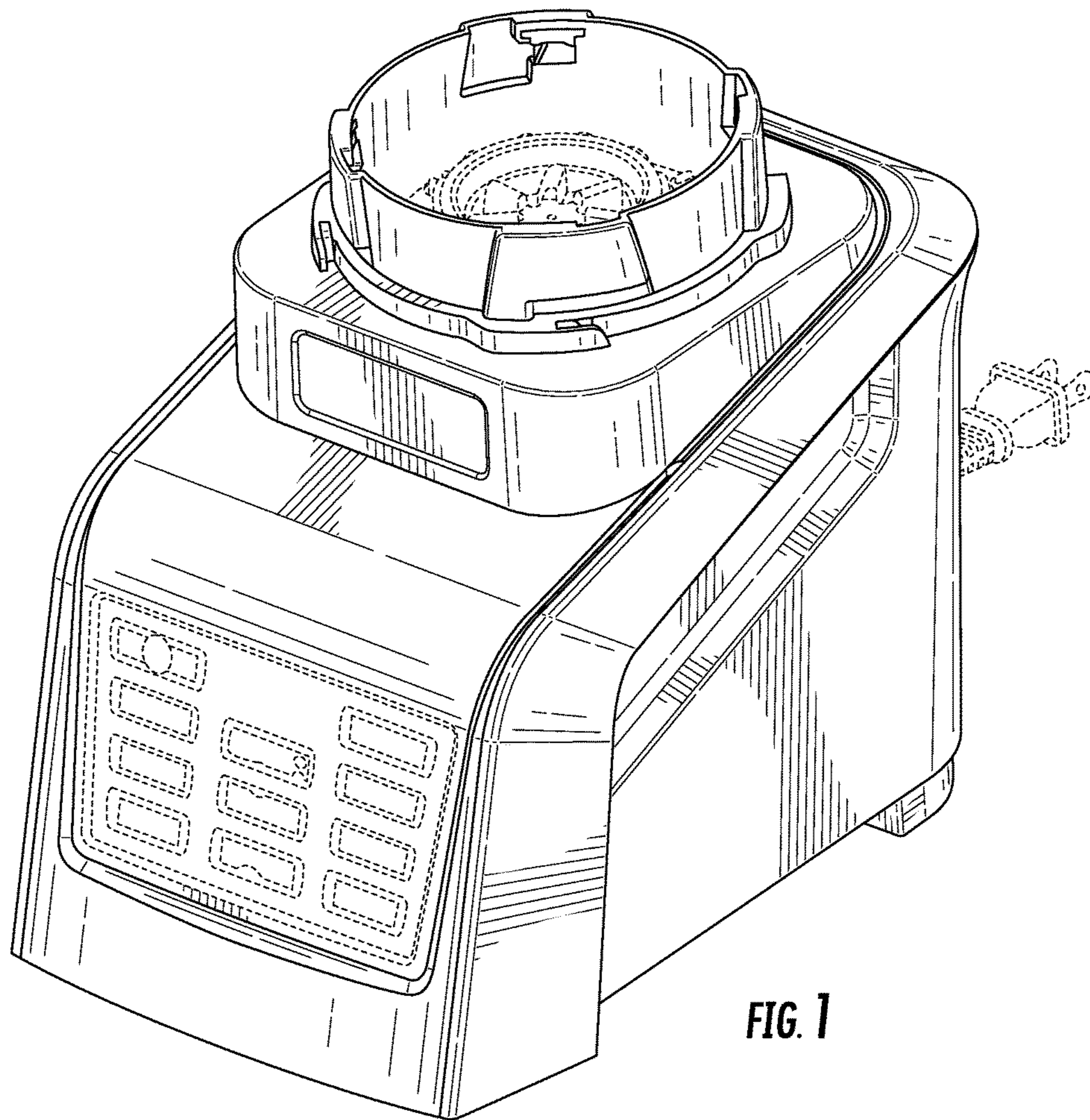
Notice of Reasons for Rejection; Japanese Design Application No. 2014-029289; dated Mar. 30, 2015; 4 Pages.

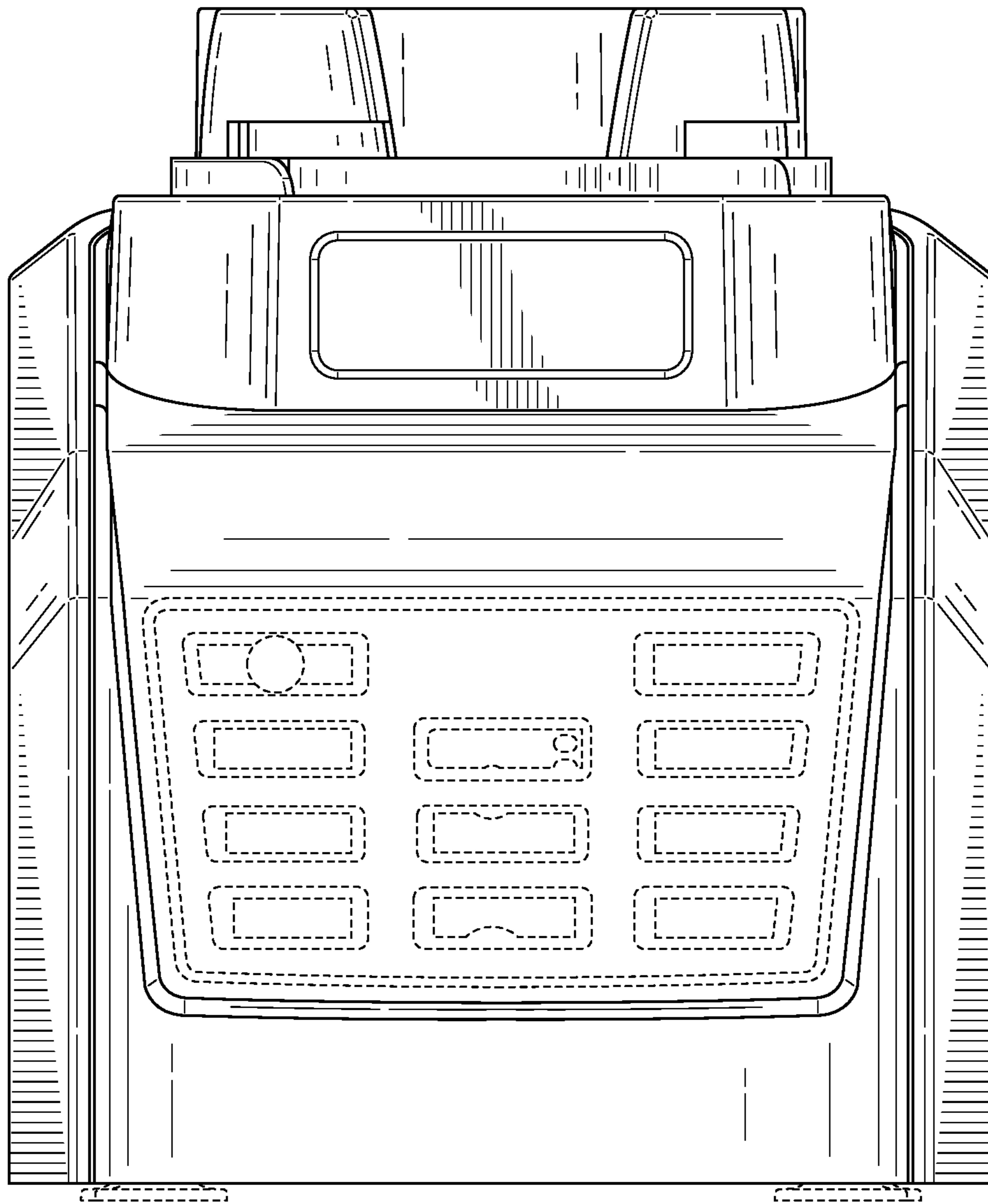
Notice of Reasons for Rejection; Japanese Design Application No. 2014-029290; dated Mar. 30, 2015; 4 Pages.

Notice of References; Japanese Design Application No. 2014-029289; dated Jul. 6, 2015; 2 Pages.

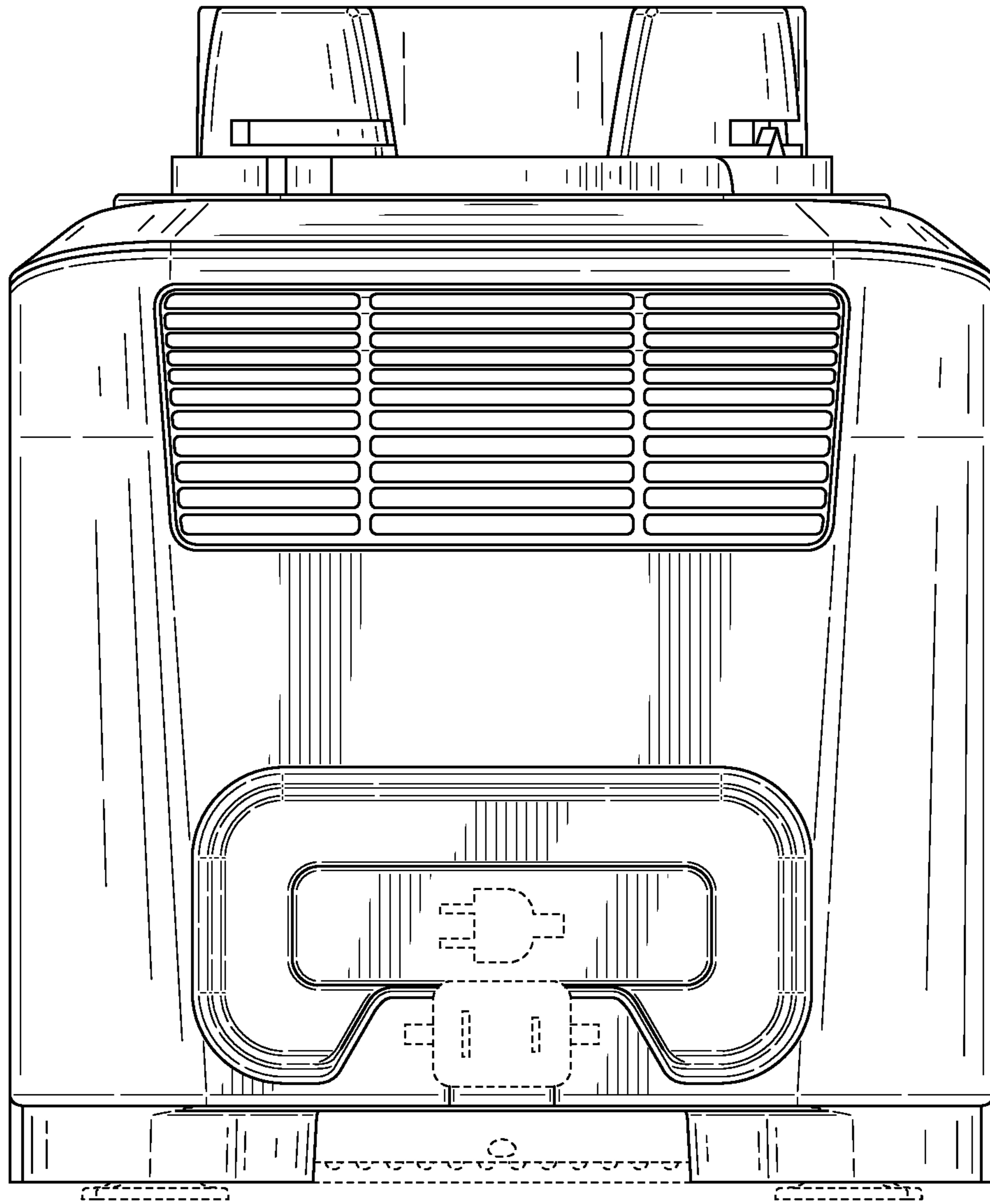
Notice of References; Japanese Design Application No. 2014-029290; dated May 7, 2015; 2 Pages.

\* cited by examiner





**FIG. 2**



**FIG. 3**

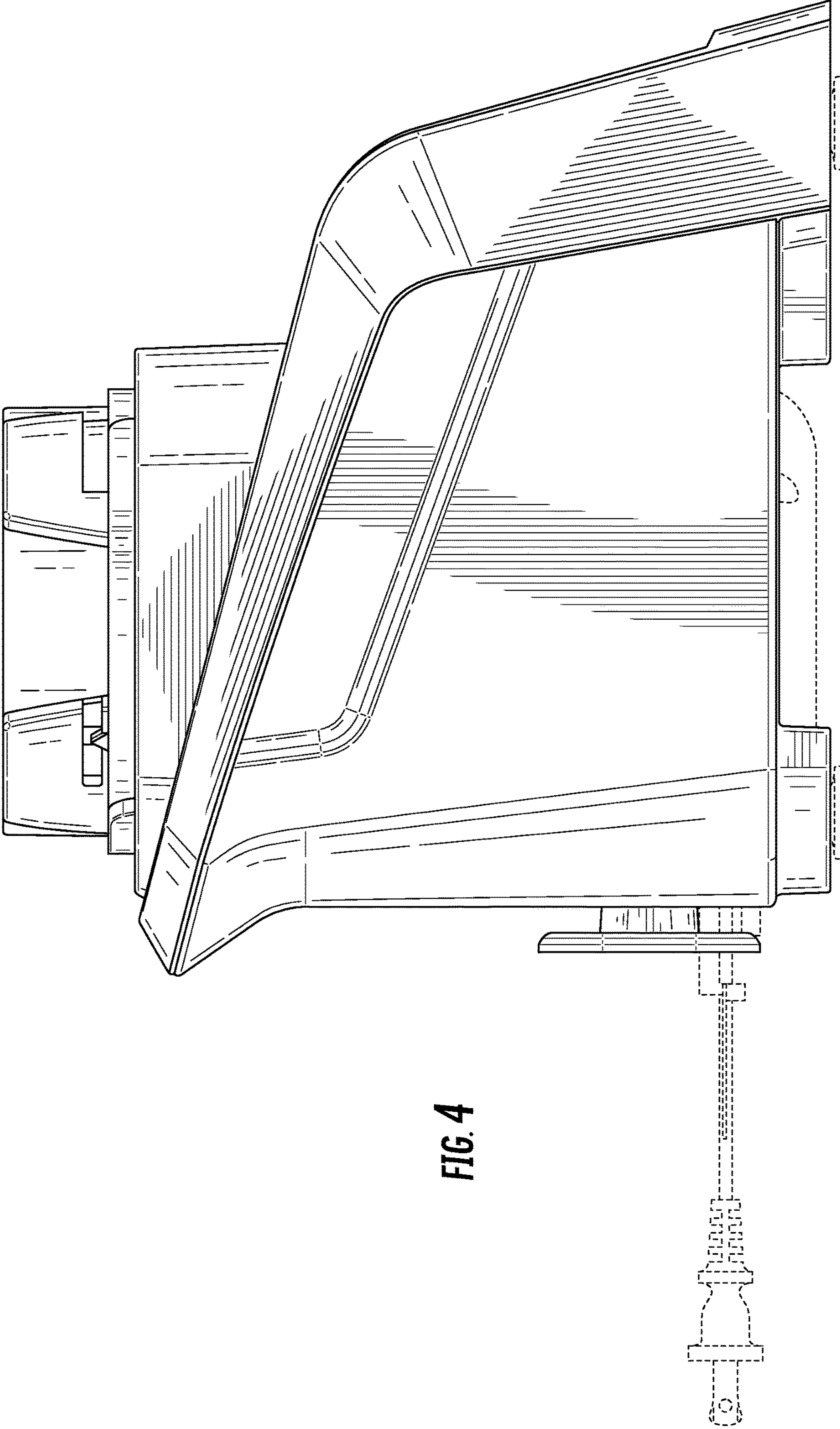


FIG. 4

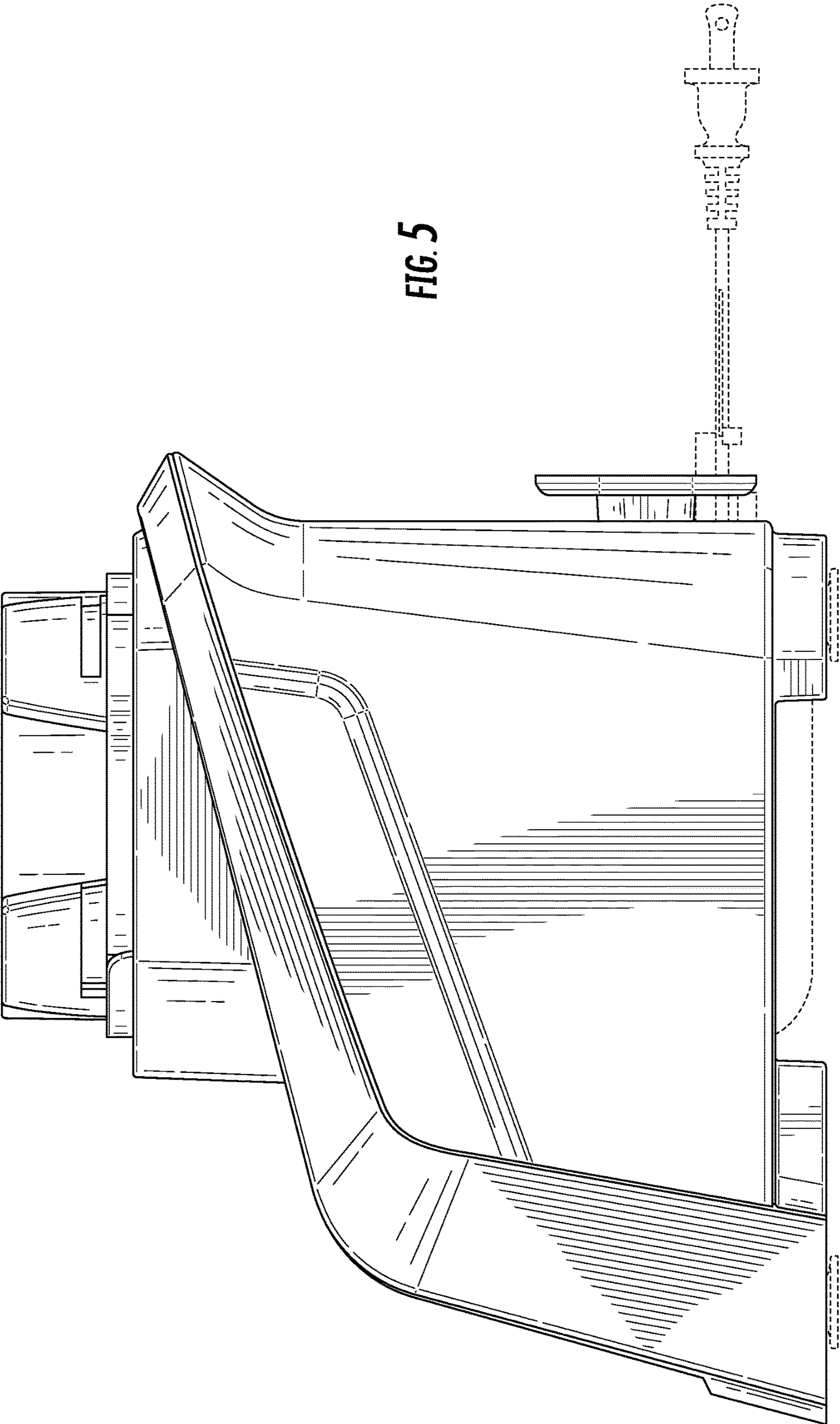


FIG. 5



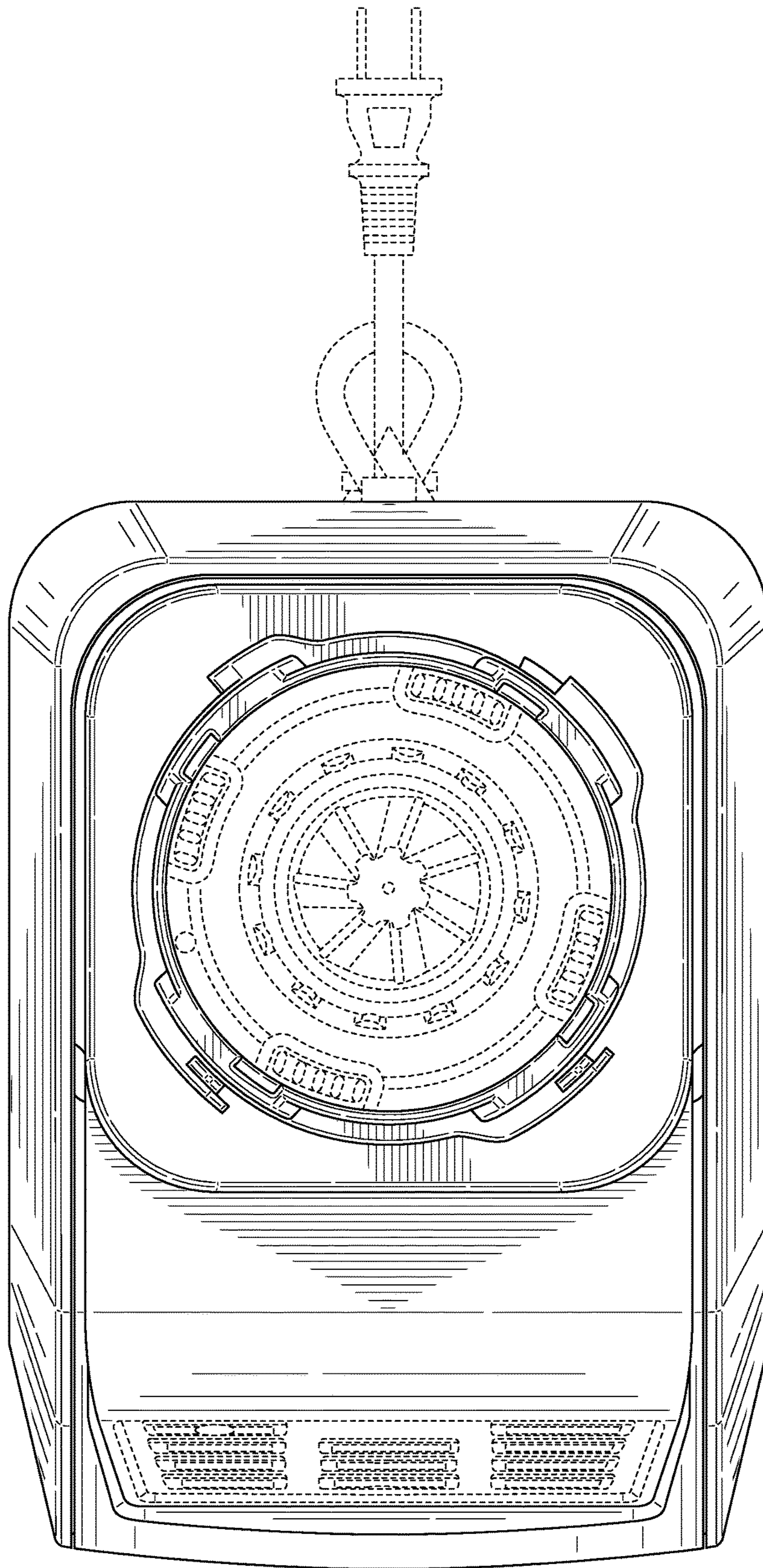
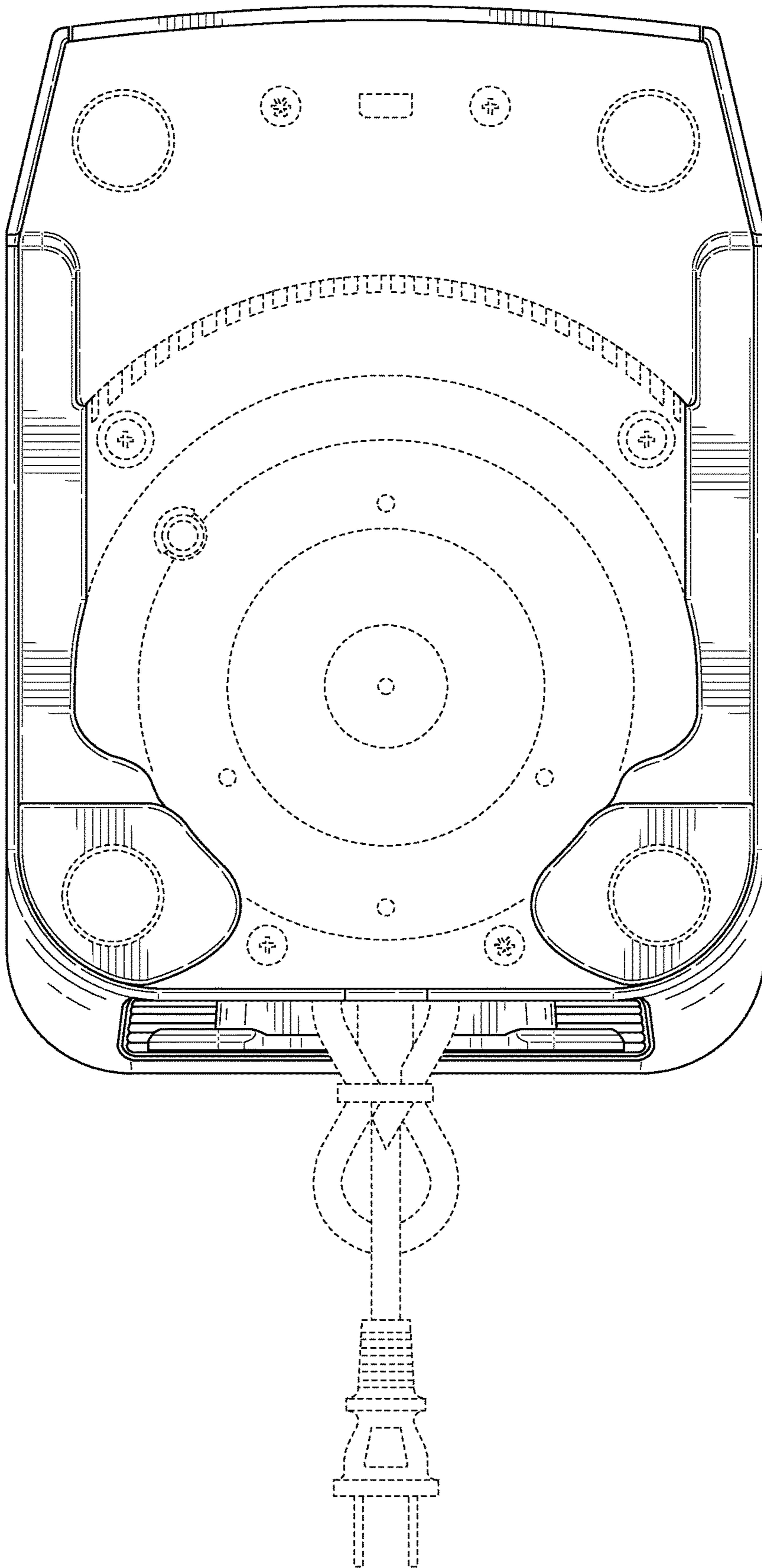


FIG. 6



**FIG. 7**