



US00D821804S

(12) **United States Design Patent**  
**Wessels**

(10) **Patent No.:** **US D821,804 S**  
(45) **Date of Patent:** **\*\* Jul. 3, 2018**

(54) **ELECTRIC FRYER**

(71) Applicant: **SEB**, Selongey (FR)

(72) Inventor: **Nils Wessels**, Dijon (FR)

(73) Assignee: **SEB**, Selongey (FR)

(\*\*) Term: **15 Years**

(21) Appl. No.: **29/606,272**

(22) Filed: **Jun. 2, 2017**

(30) **Foreign Application Priority Data**

Dec. 7, 2016 (EM) ..... 003503994-0001

(51) **LOC (11) Cl.** ..... **07-02**

(52) **U.S. Cl.**  
USPC ..... **D7/354**

(58) **Field of Classification Search**

USPC ..... D7/323, 354-361, 402

CPC ..... A23L 1/01; A23L 1/0107; A23L 1/0114;

A47J 27/00; A47J 27/08; A47J 27/09;

A47J 27/092; A47J 36/025; A47J 36/06;

A47J 36/08; A47J 36/10; A47J 36/12;

A47J 36/165; A47J 36/18; A47J 36/20;

A47J 36/22; A47J 37/00; A47J 37/12;

A47J 37/1204; A47J 37/1209; A47J

37/1214; A47J 37/1219; A47J 37/1266;

A47J 37/1285; A47J 37/129; A47J

37/1295; A47J 37/1271; G07F 17/0064;

G07F 17/0078; G07F 17/0085; H05B

6/02; H05B 6/06; H05B 6/12

See application file for complete search history.

(56) **References Cited**

U.S. PATENT DOCUMENTS

D360,804 S \* 8/1995 Hamada ..... D7/323

D387,243 S \* 12/1997 Bumoux ..... D7/354

D436,795 S \* 1/2001 Martres ..... D7/354

D474,937 S \* 5/2003 Josancy ..... D7/354

D608,136 S \* 1/2010 Choi ..... D7/354

D611,757 S \* 3/2010 Reiner ..... D7/354

D716,600 S \* 11/2014 Dutruel ..... D7/354

D750,418 S \* 3/2016 Allende Fritsch ..... D7/354

D750,419 S \* 3/2016 Hu ..... D7/354

D787,258 S \* 5/2017 Chung ..... D7/354

\* cited by examiner

*Primary Examiner* — Freda S Nunn

(74) *Attorney, Agent, or Firm* — Loeb & Loeb LLP

(57) **CLAIM**

The ornamental design for an electric fryer, as shown and described.

**DESCRIPTION**

FIG. 1 is a perspective view of an electric fryer showing my new design;

FIG. 2 is a front elevational view thereof;

FIG. 3 is a rear elevational view thereof;

FIG. 4 is a right side elevational view thereof;

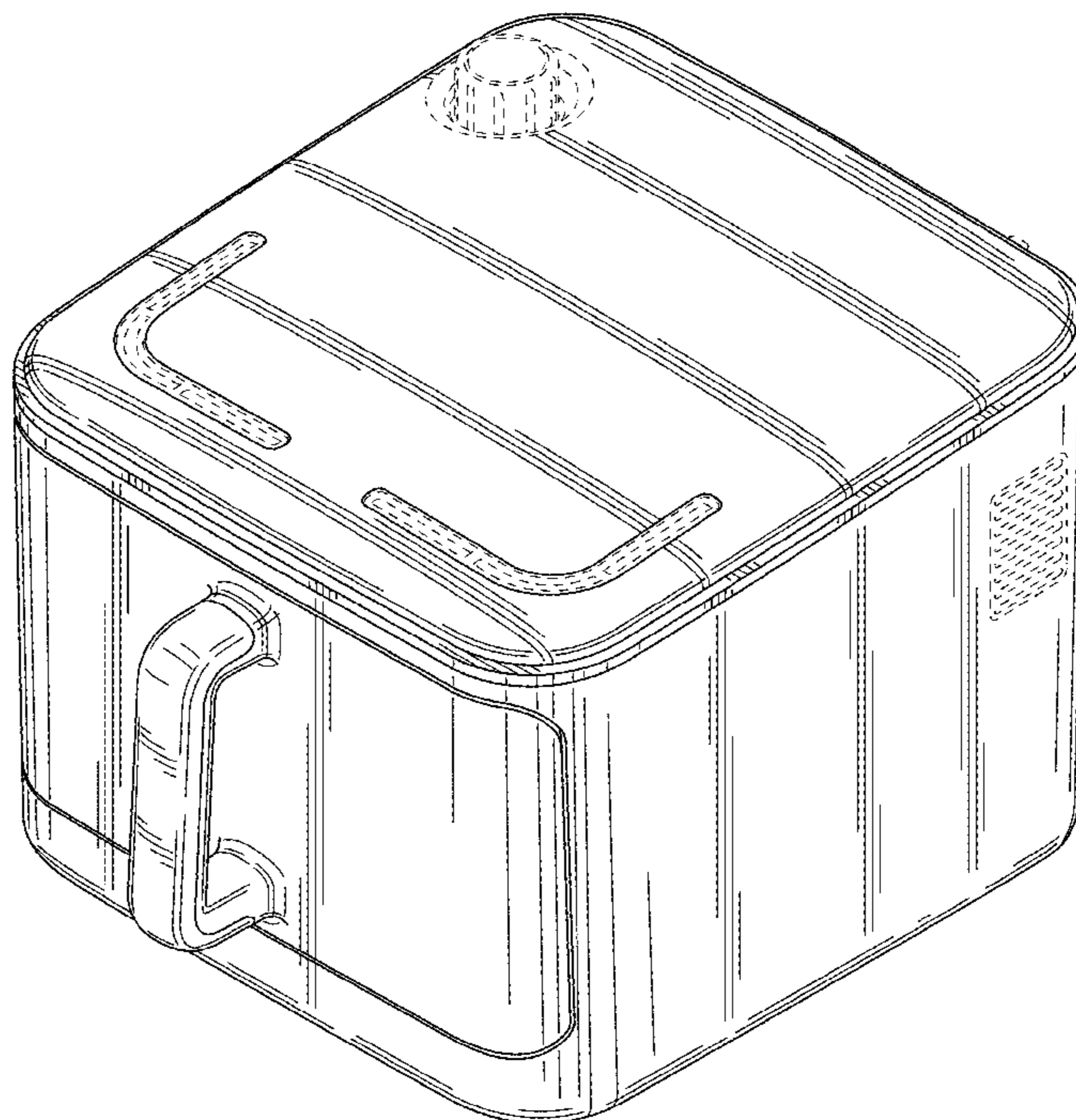
FIG. 5 is a left side elevational view thereof;

FIG. 6 is a top view thereof; and,

FIG. 7 is a bottom view thereof.

The broken lines shown in the drawings illustrate portions of the electric fryer that form no part of the claimed design.

**1 Claim, 7 Drawing Sheets**



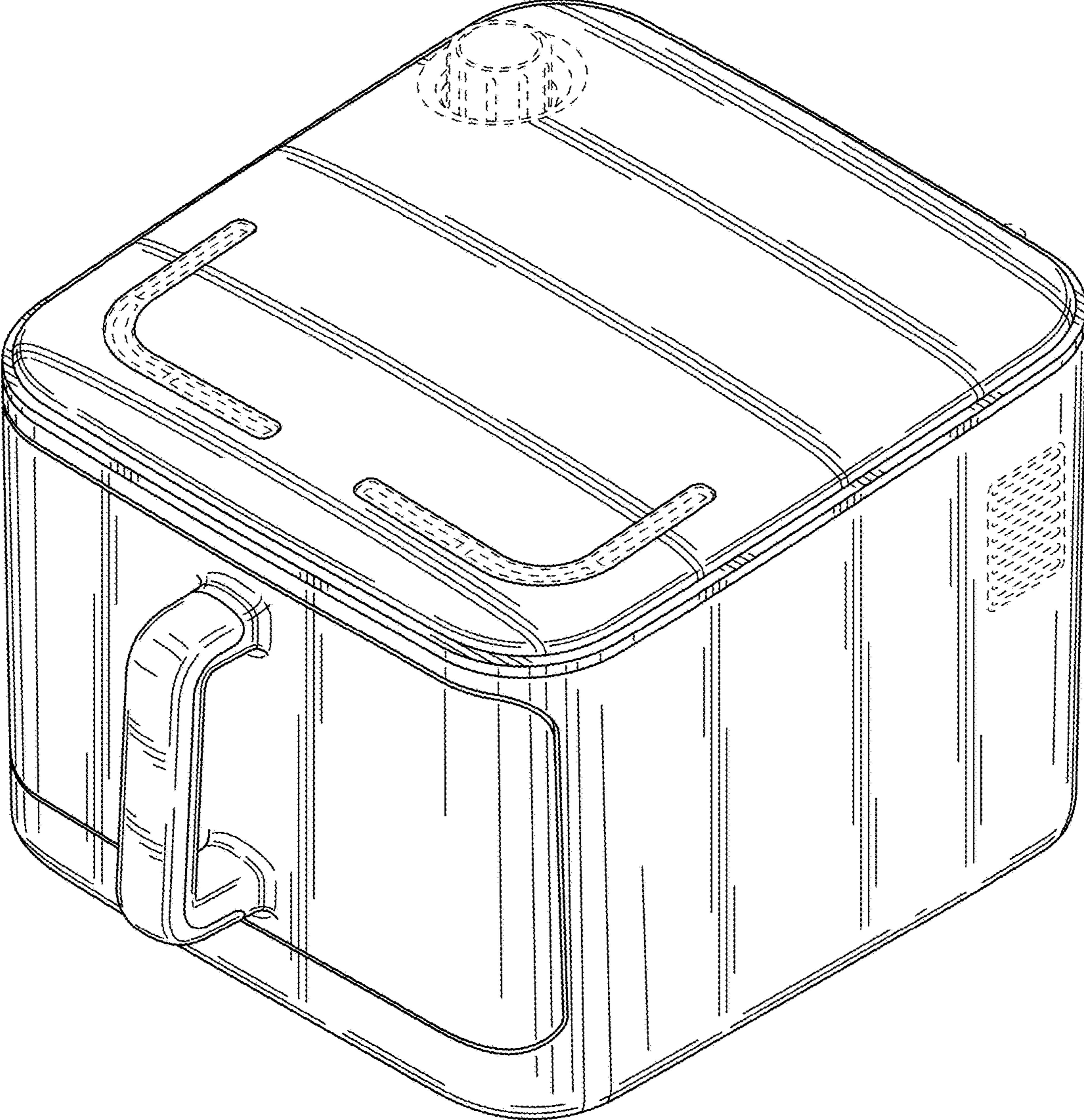


FIG. 1

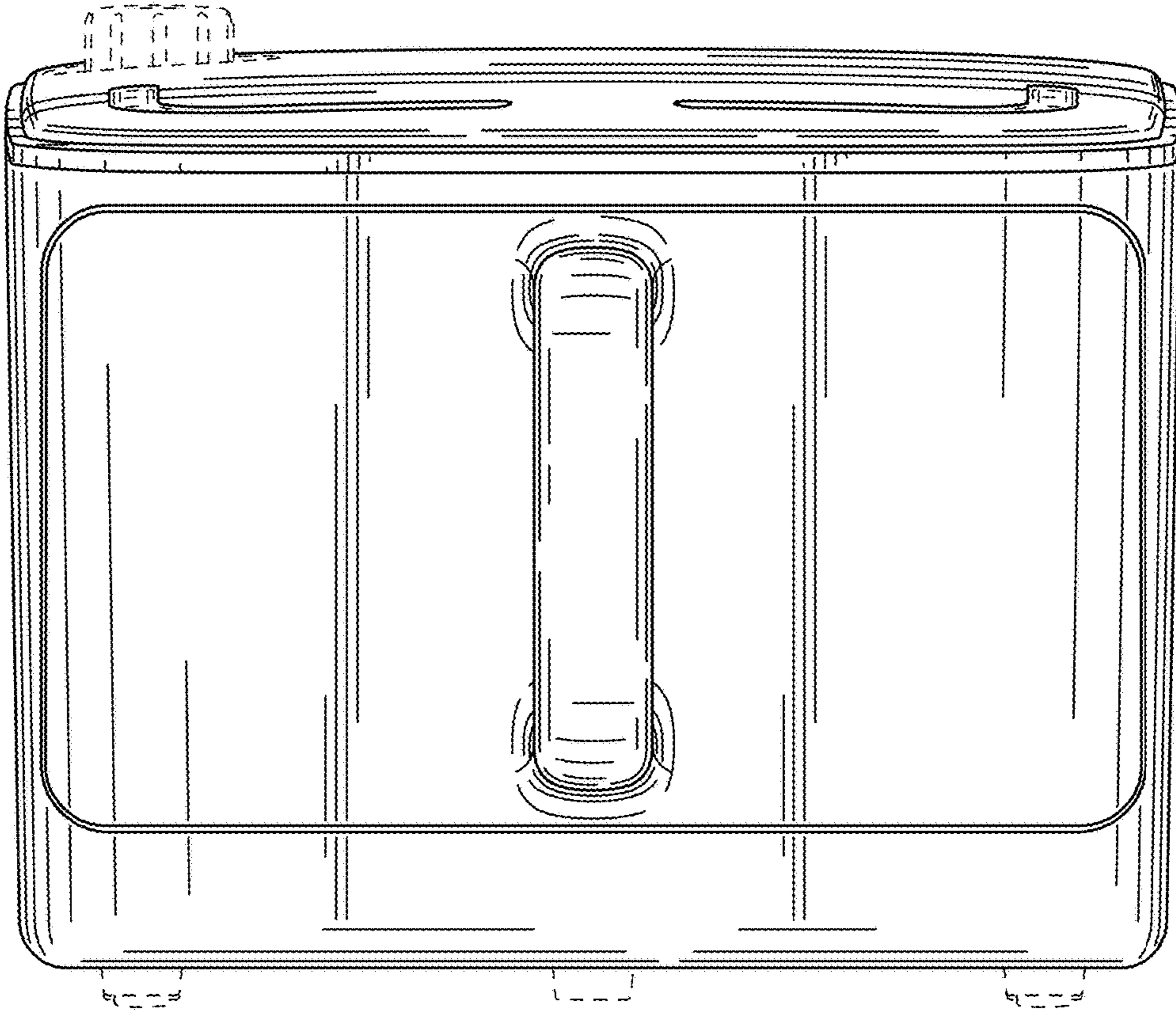


FIG. 2

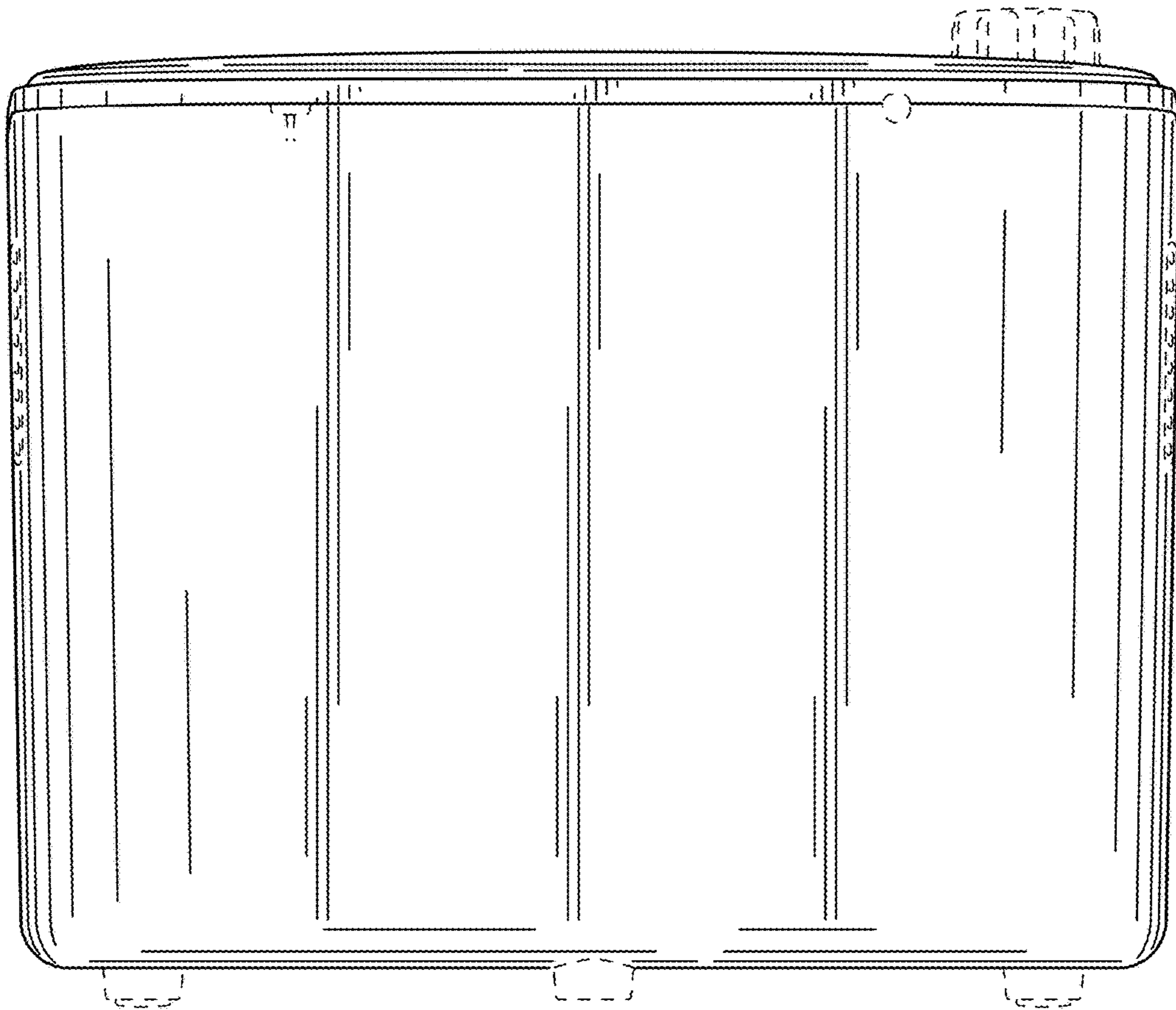


FIG. 3

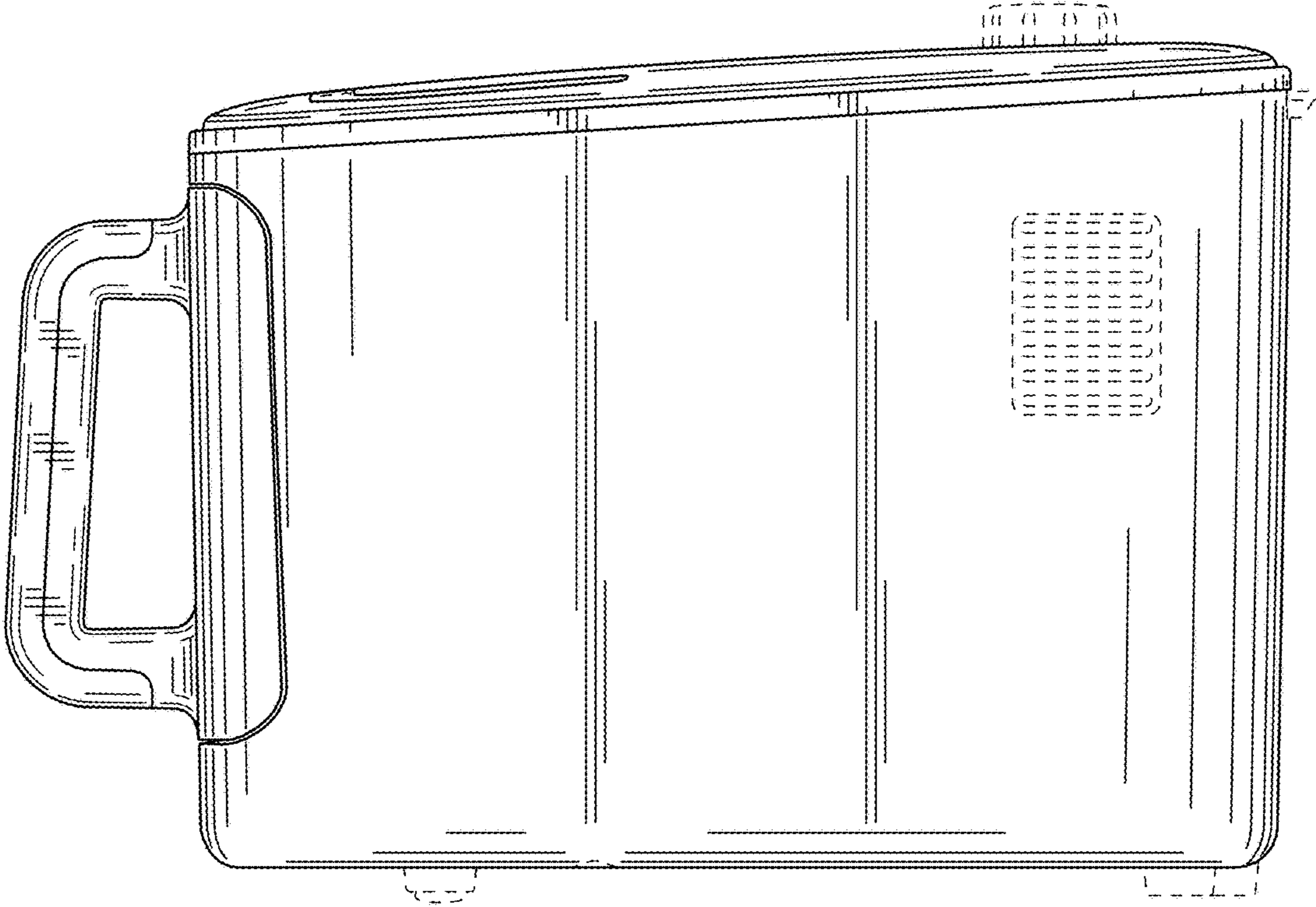


FIG. 4

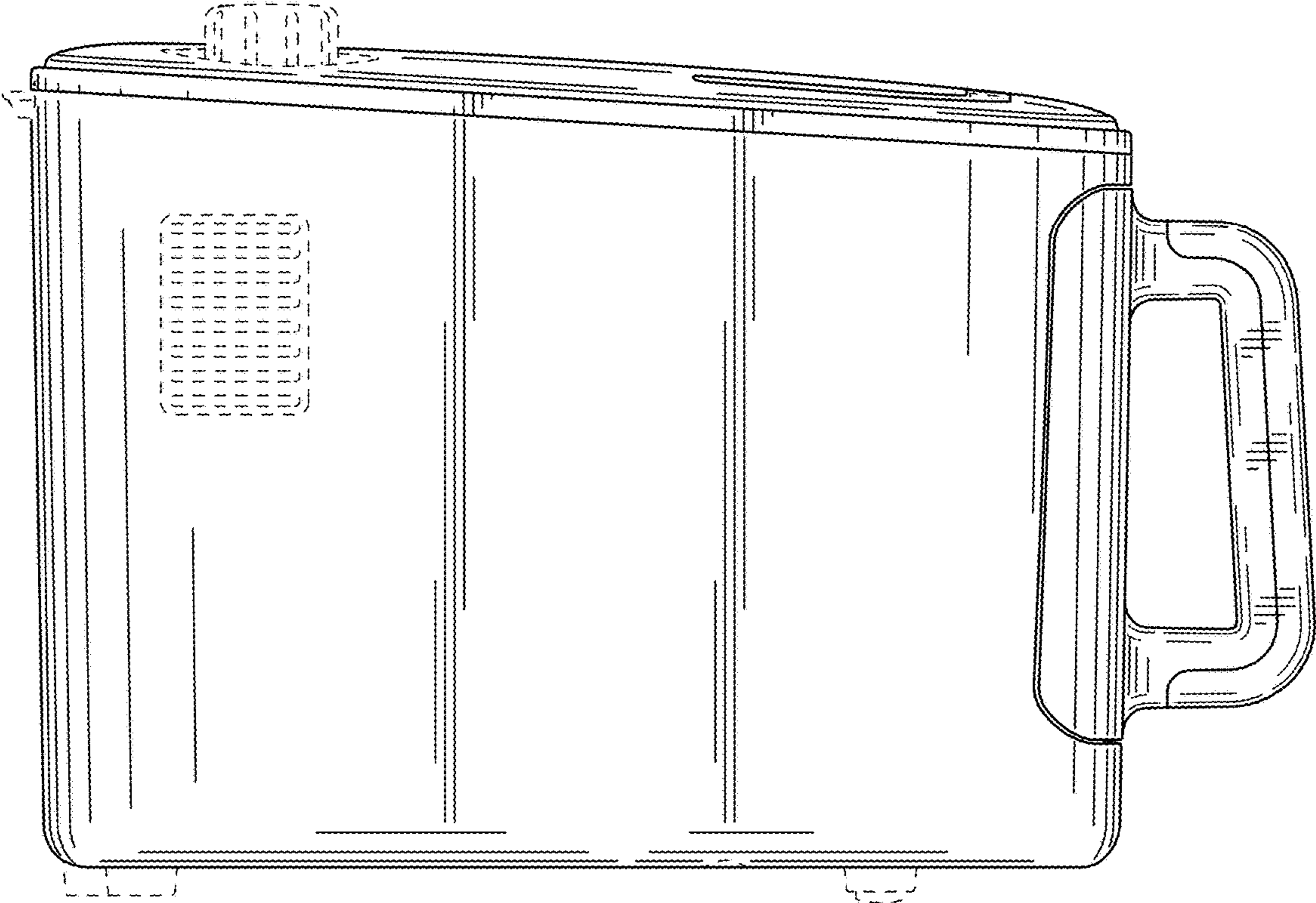


FIG. 5

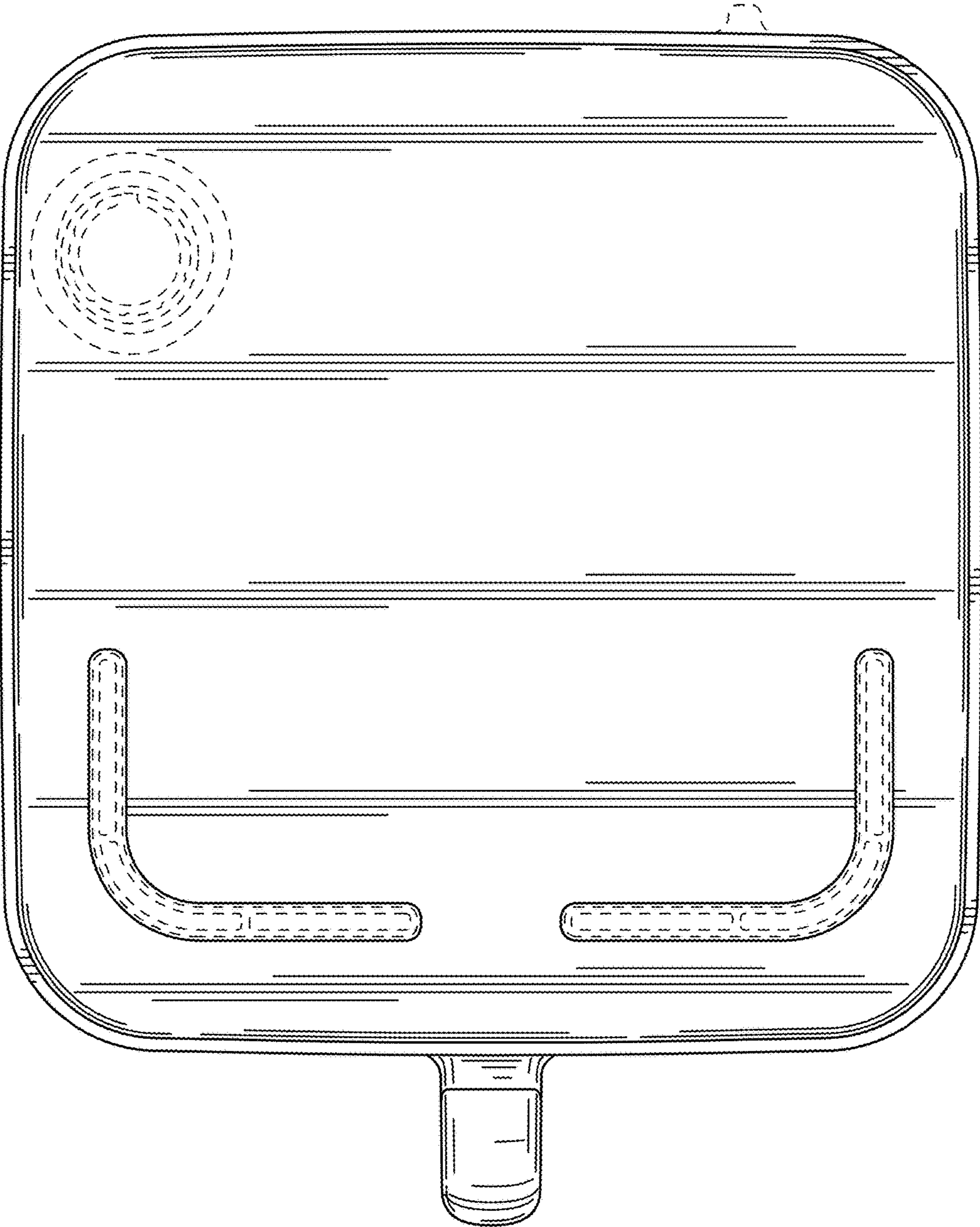


FIG. 6



FIG. 7