



US00D821803S

(12) **United States Design Patent**  
**Carlson**

(10) **Patent No.:** **US D821,803 S**  
(45) **Date of Patent:** **\*\* Jul. 3, 2018**

- (54) **TOASTER OVEN**
- (71) Applicant: **Hamilton Beach Brands, Inc.**, Glen Allen, VA (US)
- (72) Inventor: **Drew Carlson**, Henrico, VA (US)
- (73) Assignee: **Hamilton Beach Brands, Inc.**, Glen Allen, VA (US)
- (\*\*) Term: **15 Years**
- (21) Appl. No.: **29/597,460**
- (22) Filed: **Mar. 17, 2017**
- (51) **LOC (11) Cl.** ..... **07-02**
- (52) **U.S. Cl.**  
USPC ..... **D7/350.4**
- (58) **Field of Classification Search**  
USPC ..... D7/323, 339, 340, 341, 347, 348, 349, D7/351, 350.1, 350.2, 350.3, 350.4, 402, D7/403, 405  
CPC .. A21B 2/00; A21B 3/02; F24C 15/02; H05B 1/0263; H05B 2206/044; H05B 6/763; H05B 6/76; H05B 6/802; H05B 6/808; H05B 6/64  
See application file for complete search history.

- D723,323 S \* 3/2015 Carlson ..... D7/350.1
  - D732,323 S 6/2015 Ho et al.
  - D737,620 S \* 9/2015 Miller ..... D7/328
  - D737,622 S \* 9/2015 Miller ..... D7/328
  - D738,154 S \* 9/2015 Miller ..... D7/328
- (Continued)

**FOREIGN PATENT DOCUMENTS**

WO WO 2009127001 A1 \* 10/2009 ..... F24C 15/12

**OTHER PUBLICATIONS**

Amazon. <URL: [https://www.amazon.com/dp/B0043E6PLC/ref=psdc\\_289937\\_t1\\_B00GGFHH4U](https://www.amazon.com/dp/B0043E6PLC/ref=psdc_289937_t1_B00GGFHH4U)> Oct. 31, 2010. Black+Decker Countertop Convection Toaster Oven, Silver, CTO6335S.\*

*Primary Examiner* — Thomas Johannes  
*Assistant Examiner* — Lauren McVey  
(74) *Attorney, Agent, or Firm* — Alexander D. Raring

(57) **CLAIM**

The ornamental design for a toaster oven, as shown and described.

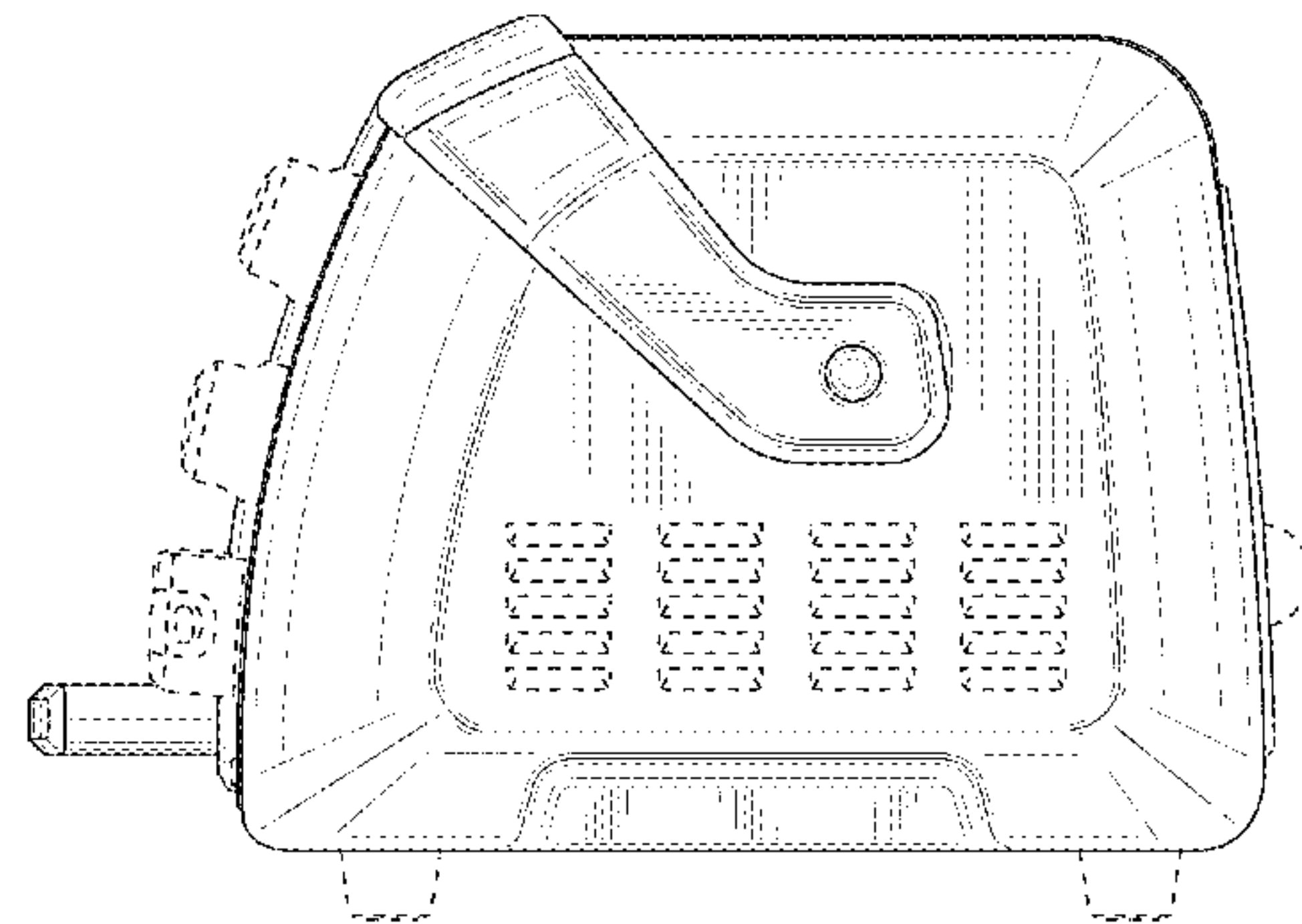
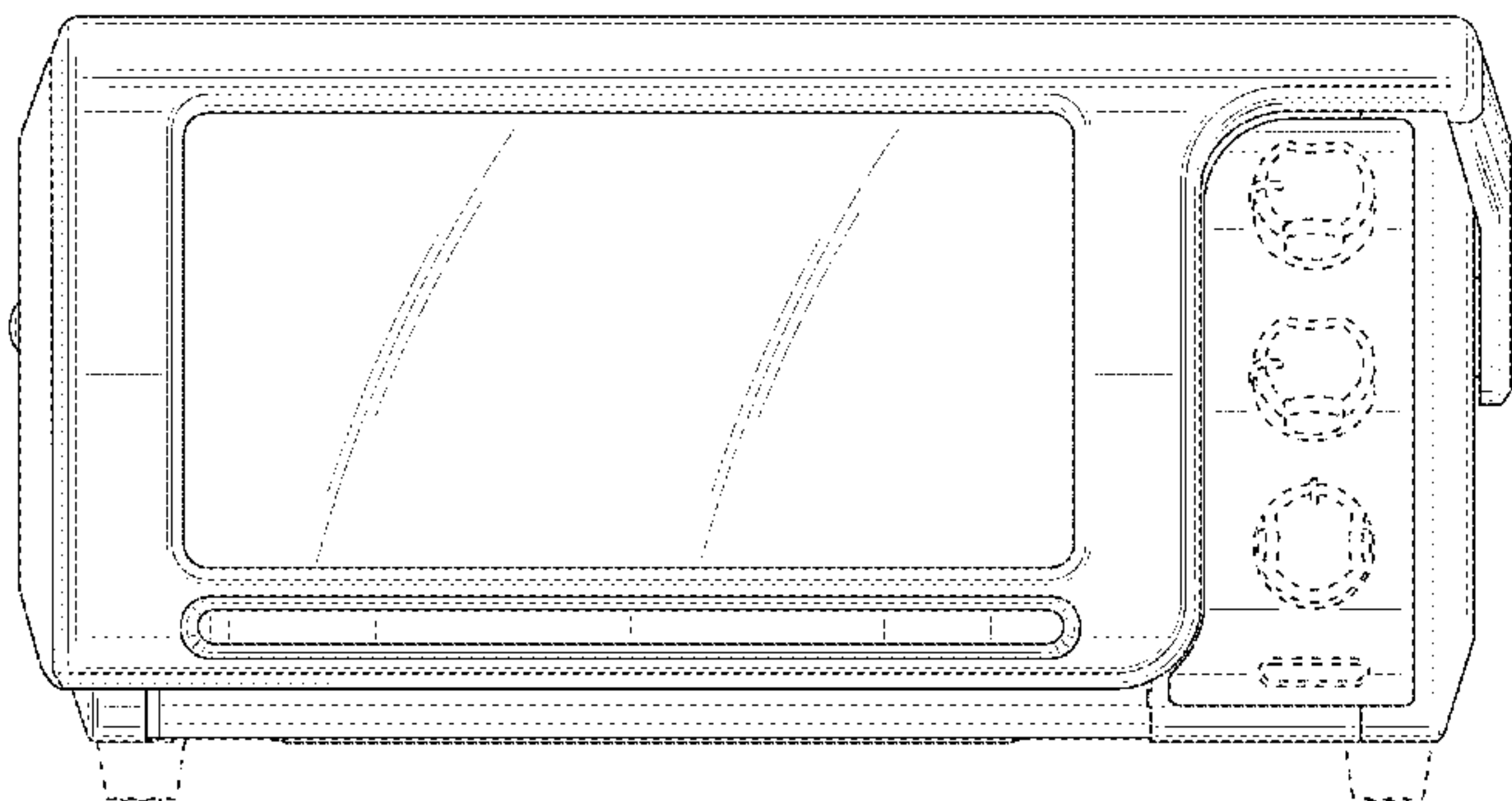
**DESCRIPTION**

FIG. 1 is a top, front and right side perspective view of a toaster oven, showing my new design; FIG. 2 is a front elevation view thereof; FIG. 3 is a rear elevation view thereof; FIG. 4 is a left side elevation view thereof; FIG. 5 is a right side elevation view thereof; FIG. 6 is a top plan view thereof; and, FIG. 7 is a bottom plan view thereof. The broken lines immediately adjacent the shaded areas represent the bounds of the claimed design while all other broken lines are directed to environment and are of illustrative purposes only; the broken lines form no part of the claimed design.

**1 Claim, 7 Drawing Sheets**

(56) **References Cited**  
U.S. PATENT DOCUMENTS

- D364,311 S \* 11/1995 Kim ..... D7/351
- D438,421 S 3/2001 Su
- 6,199,548 B1 3/2001 Hsu
- D451,333 S 12/2001 Hsu
- D461,091 S \* 8/2002 Chen ..... D7/350.4
- D501,356 S 2/2005 Averty
- D549,034 S \* 8/2007 Garman ..... D7/329
- D583,184 S \* 12/2008 Delong ..... D7/329
- D602,306 S \* 10/2009 Lavy ..... D7/350.1
- D606,797 S \* 12/2009 Baek ..... D7/351
- D639,104 S \* 6/2011 Duncan ..... D7/350.1
- D655,125 S \* 3/2012 Turner ..... D7/328
- D703,993 S 5/2014 Garman



(56)

**References Cited**

U.S. PATENT DOCUMENTS

2016/0033141 A1\* 2/2016 Rizzuto ..... F24C 7/085  
219/396

\* cited by examiner

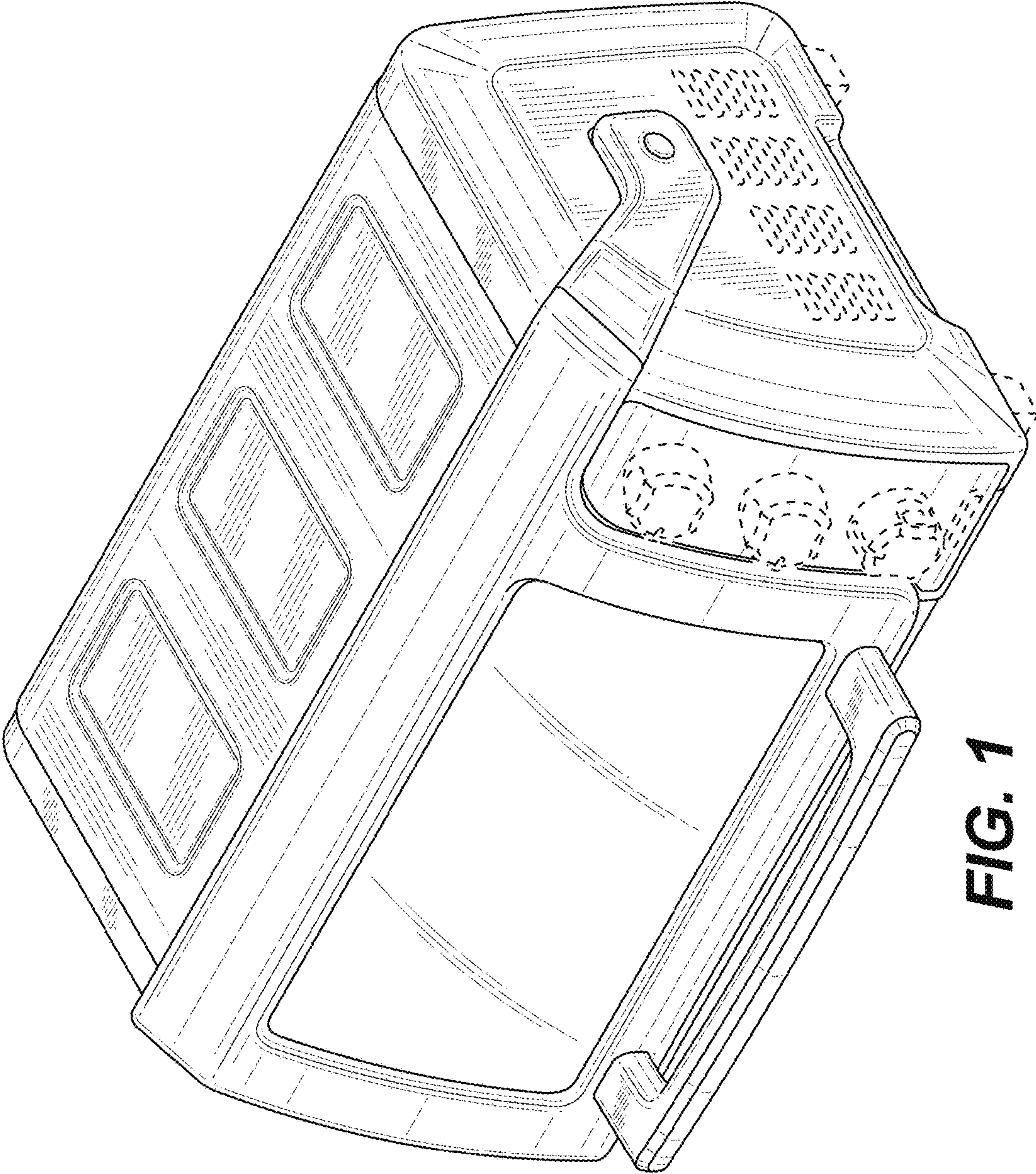
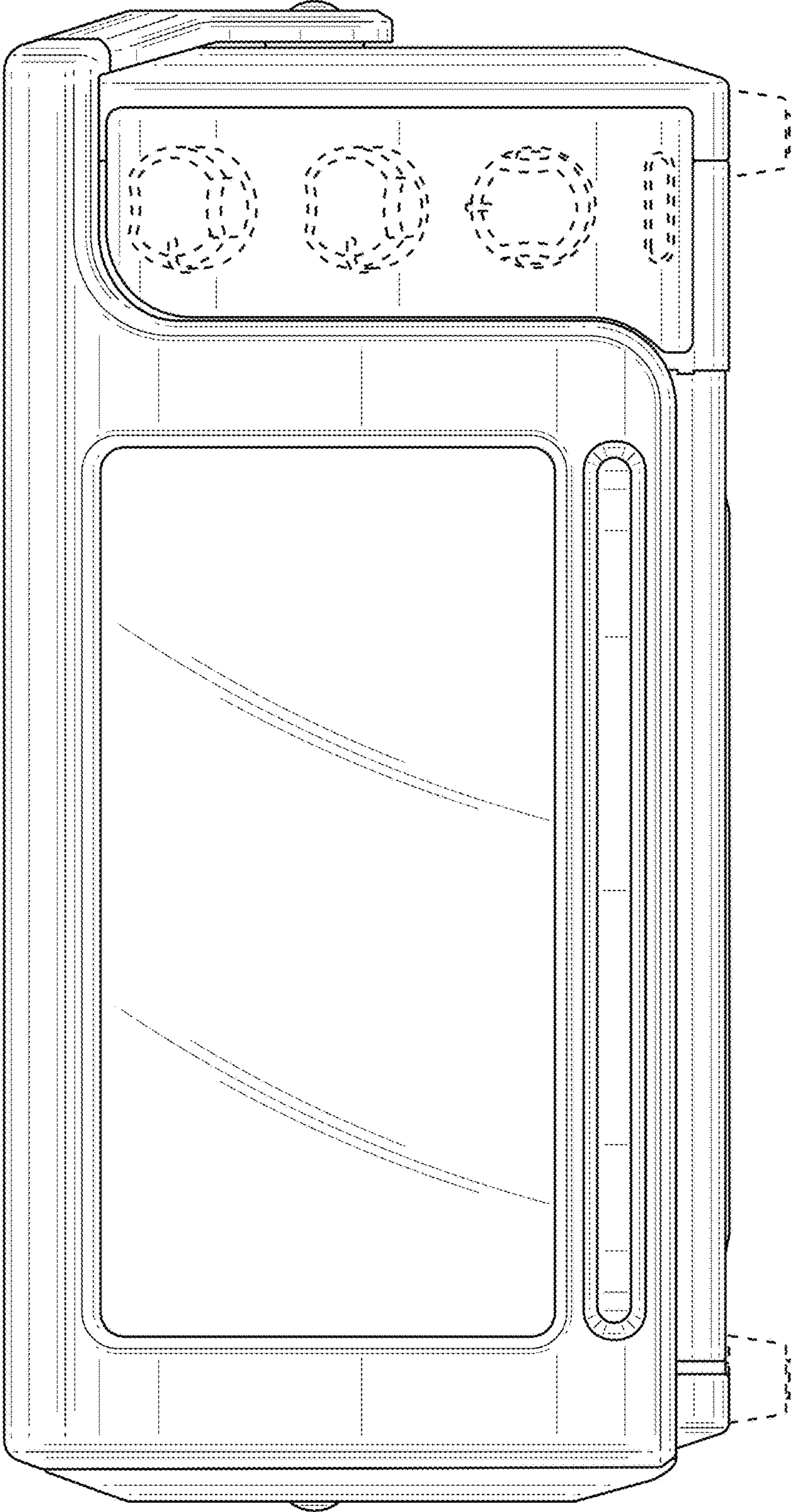
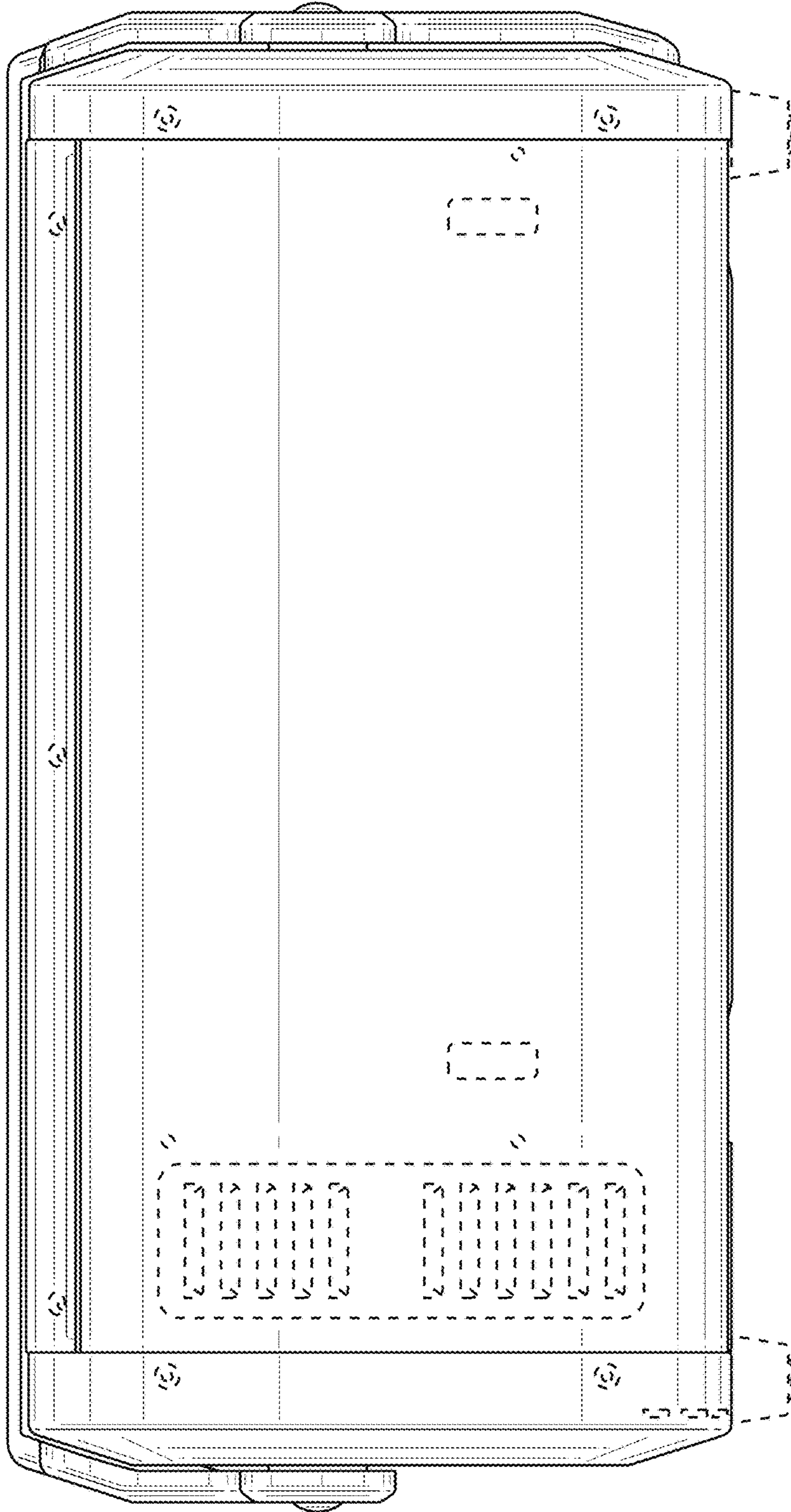


FIG. 1

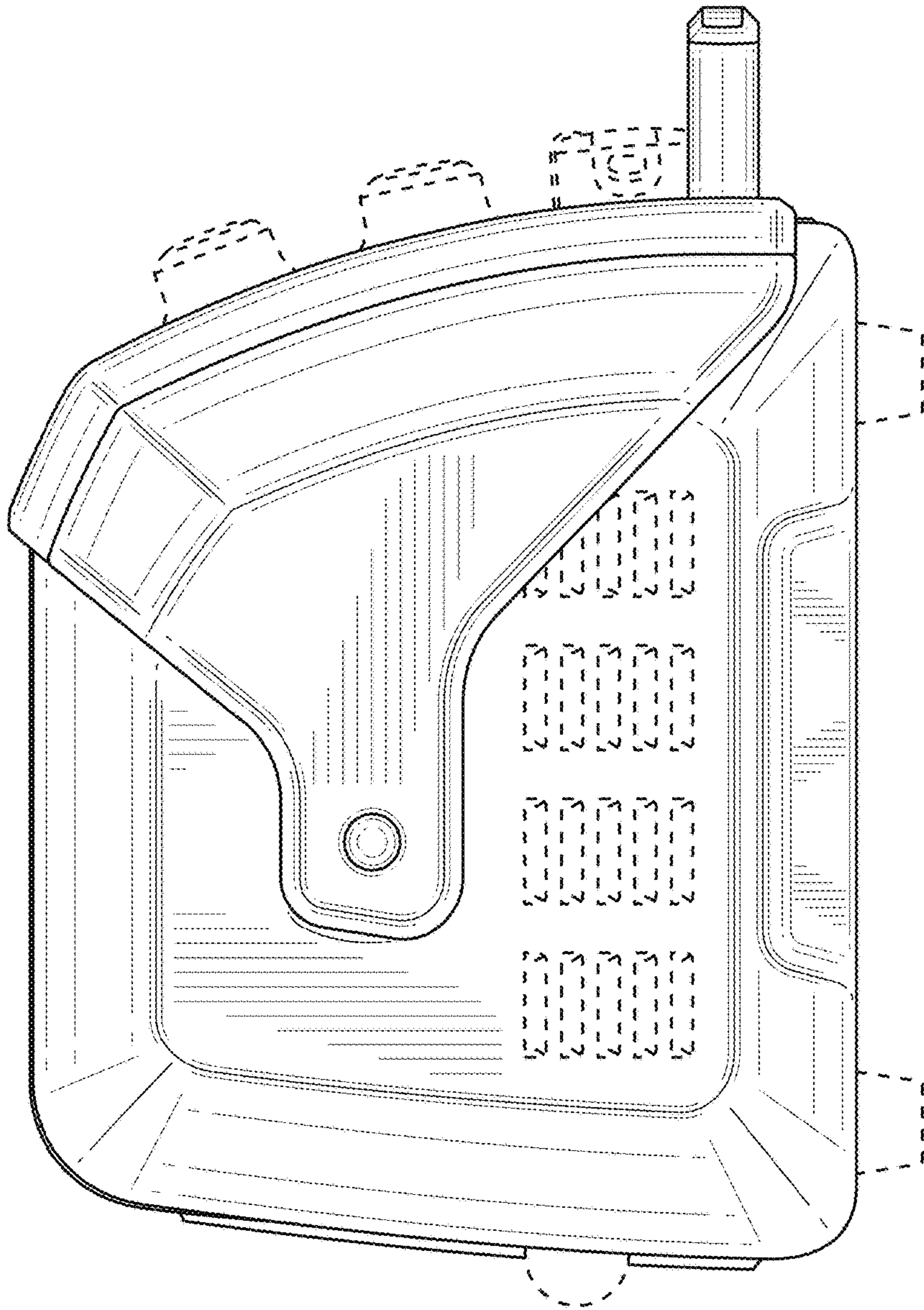




**FIG. 2**

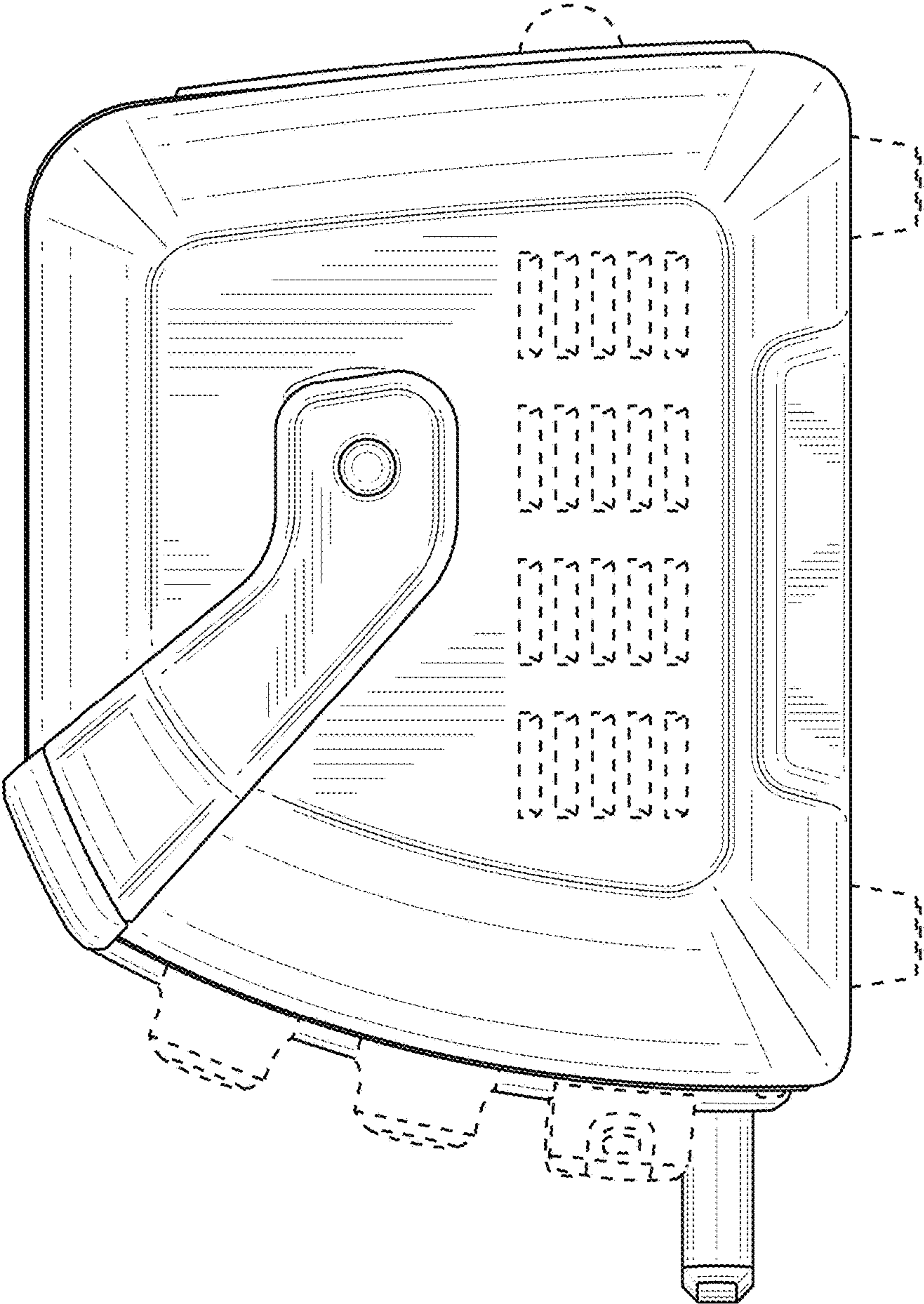


**FIG. 3**



**FIG. 4**





**FIG. 5**

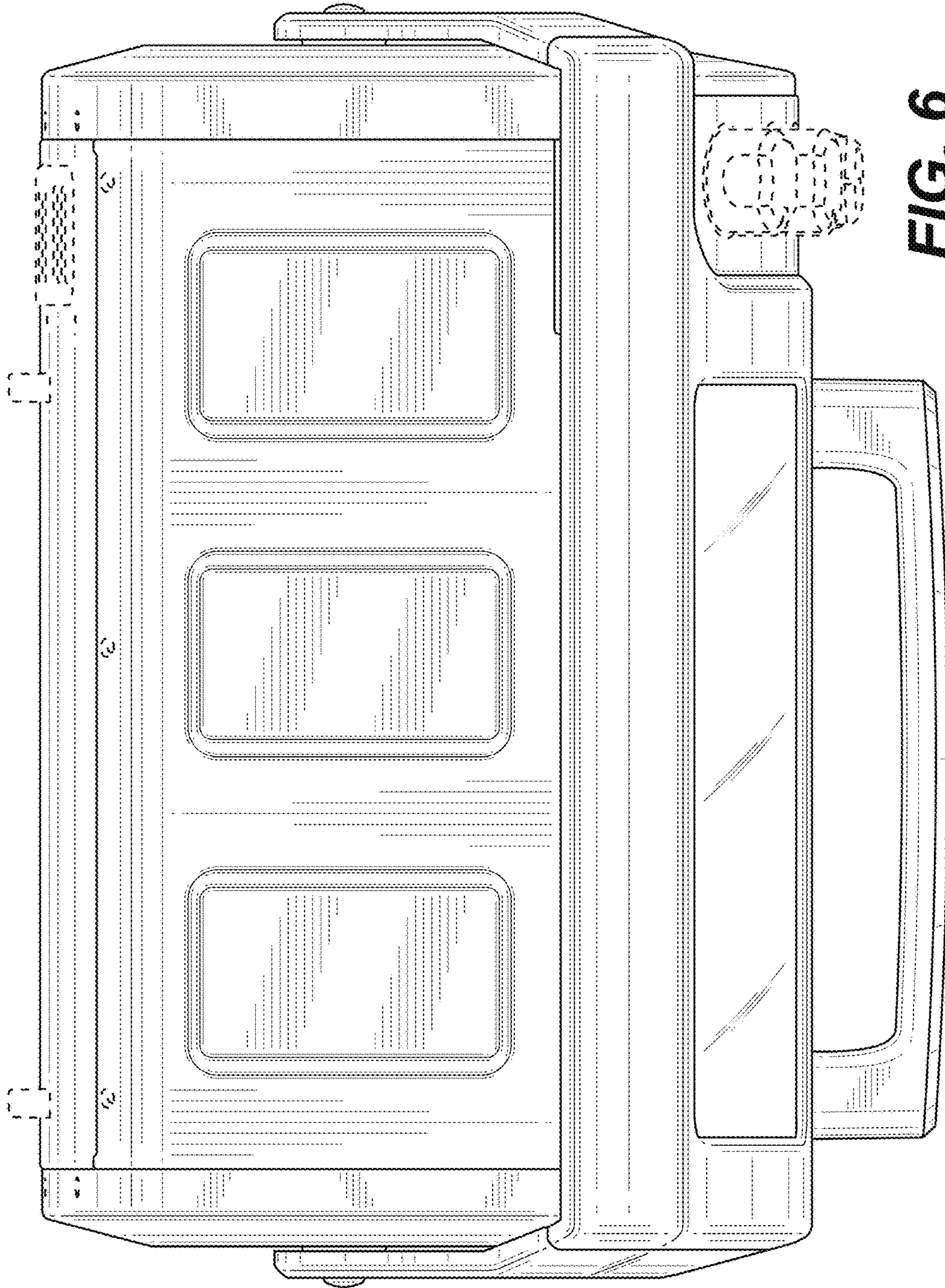


FIG. 6



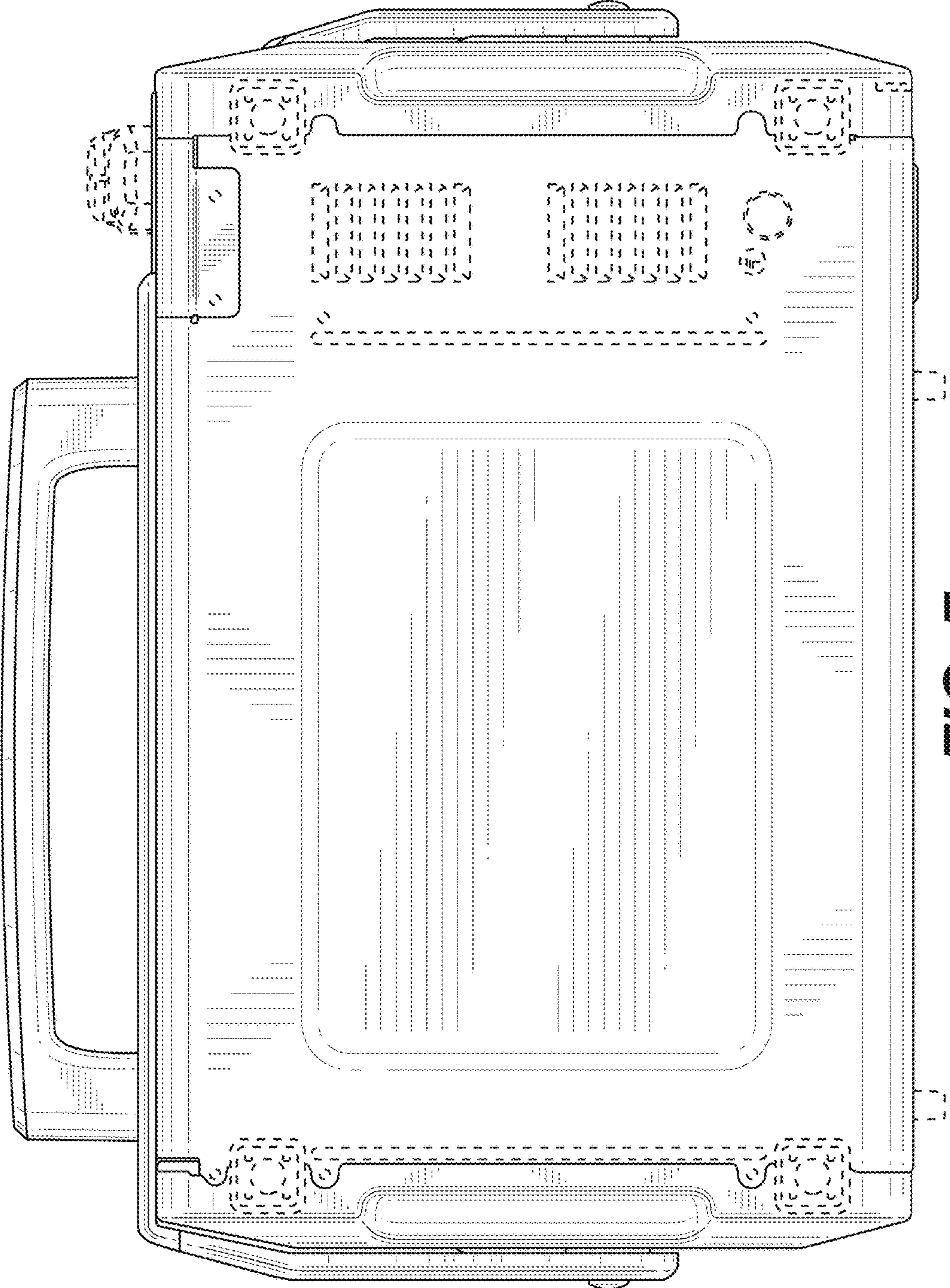


FIG. 7