



US00D821802S

(12) **United States Design Patent**  
**Jeon et al.**

(10) **Patent No.:** **US D821,802 S**  
(45) **Date of Patent:** **\*\* Jul. 3, 2018**

(54) **GAS RANGE**

(71) Applicant: **SAMSUNG ELECTRONICS CO., LTD.**, Suwon-si, Gyeonggi-do (KR)

(72) Inventors: **Jongsu Jeon**, Seongnam-si (KR); **Hwanwoong Choi**, Seoul (KR); **Binna Kim**, Seoul (KR)

(73) Assignee: **SAMSUNG ELECTRONICS CO., LTD.**, Gyeonggi-Do (KR)

(\*\*) Term: **15 Years**

(21) Appl. No.: **29/602,645**

(22) Filed: **May 2, 2017**

(30) **Foreign Application Priority Data**

Nov. 3, 2016 (KR) ..... 30-2016-0052884

(51) **LOC (11) Cl.** ..... **07-02**

(52) **U.S. Cl.**  
USPC ..... **D7/346**

(58) **Field of Classification Search**  
USPC ..... D7/339-341, 344, 346-349, 352, 362, D7/363, 402, 405-409; D8/311, 312; 99/324, 325, 330-339, 342, 403  
See application file for complete search history.

(56) **References Cited**

**U.S. PATENT DOCUMENTS**

- D578,349 S \* 10/2008 Rieser ..... D7/402
- D637,040 S \* 5/2011 King ..... D7/407
- D648,597 S \* 11/2011 King ..... D7/407
- 8,171,927 B2 \* 5/2012 Pryor ..... F23D 14/06  
126/39 E
- 8,381,716 B2 \* 2/2013 Bettinzoli ..... F24C 3/103  
126/256
- D722,817 S \* 2/2015 Pionek ..... D7/406

- 9,453,641 B2 \* 9/2016 Cadima ..... F23D 14/06
- 9,513,012 B2 \* 12/2016 Gen ..... F24C 3/08
- D804,245 S \* 12/2017 Segers ..... D7/402
- 2007/0074714 A1 \* 4/2007 Rieser ..... F24C 3/126  
126/39 E

(Continued)

*Primary Examiner* — Freda S Nunn  
(74) *Attorney, Agent, or Firm* — Cantor Colburn LLP

(57) **CLAIM**

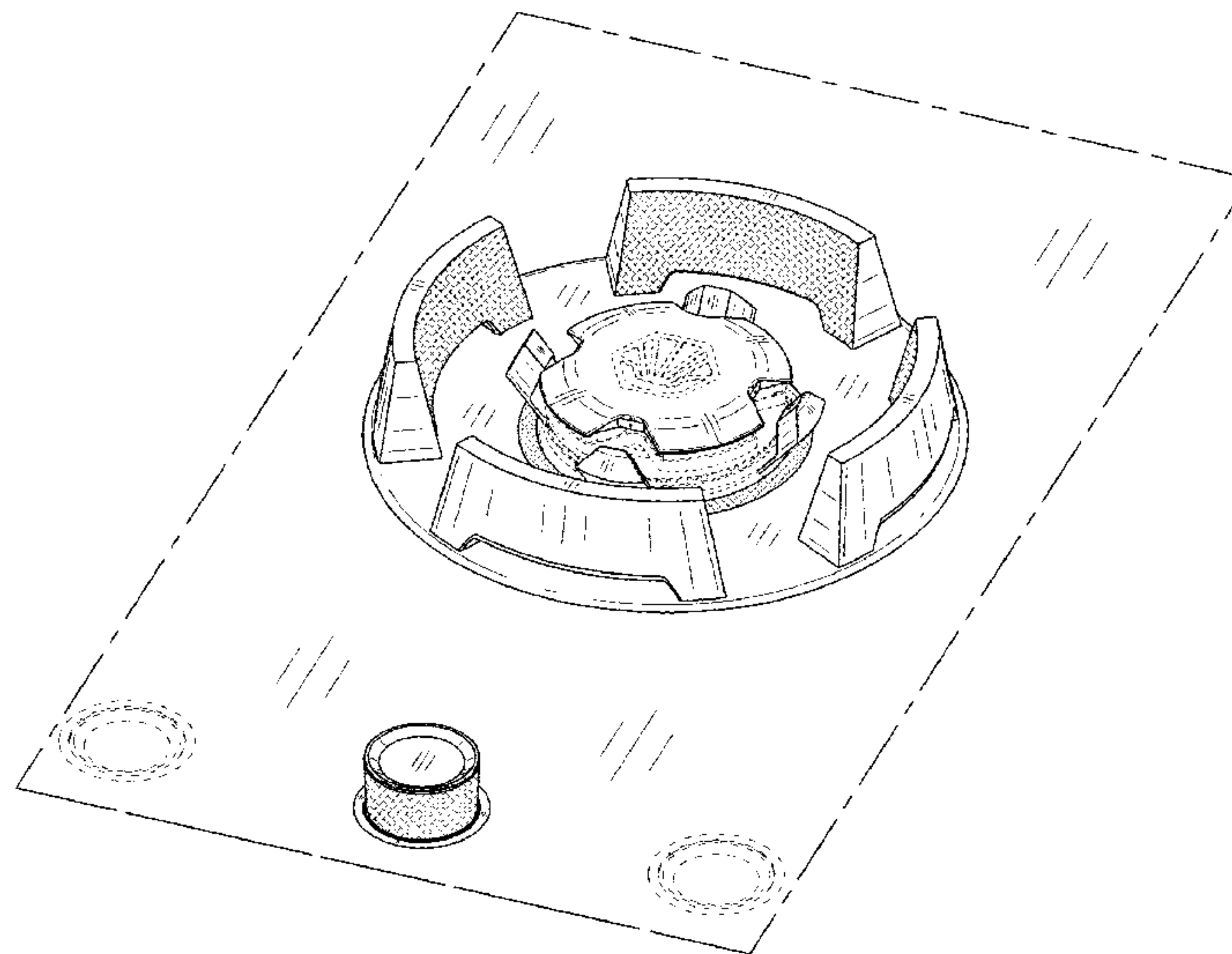
The ornamental design for a gas range, as shown and described.

**DESCRIPTION**

FIG. 1 is a front perspective view of a gas range, showing our new design;  
 FIG. 2 is a front view thereof;  
 FIG. 3 is a rear view thereof;  
 FIG. 4 is a left side view thereof;  
 FIG. 5 is a right side view thereof;  
 FIG. 6 is a top view thereof;  
 FIG. 7 is a bottom view thereof;  
 FIG. 8 is an enlarged perspective view of the portion, '8' in FIG. 1;  
 FIG. 9 is a front perspective view thereof, shown in an alternate position;  
 FIG. 10 is a front view thereof;  
 FIG. 11 is a rear view thereof;  
 FIG. 12 is a left side view thereof;  
 FIG. 13 is a right side view thereof;  
 FIG. 14 is a top view thereof;  
 FIG. 15 is a bottom view thereof; and,  
 FIG. 16 is an enlarged perspective view of the portion, '16' in FIG. 9.

The broken lines illustrating portions of the gas range form no part of the claimed design.  
 The long-dash, short-dash broken lines of the design define boundaries of the claimed design and form no part of the claimed design.

**1 Claim, 12 Drawing Sheets**



(56)

**References Cited**

U.S. PATENT DOCUMENTS

2008/0078054 A1\* 4/2008 Huang ..... B60K 37/06  
16/221  
2008/0289940 A1\* 11/2008 Kim ..... D06F 39/005  
200/336

\* cited by examiner

FIG. 1

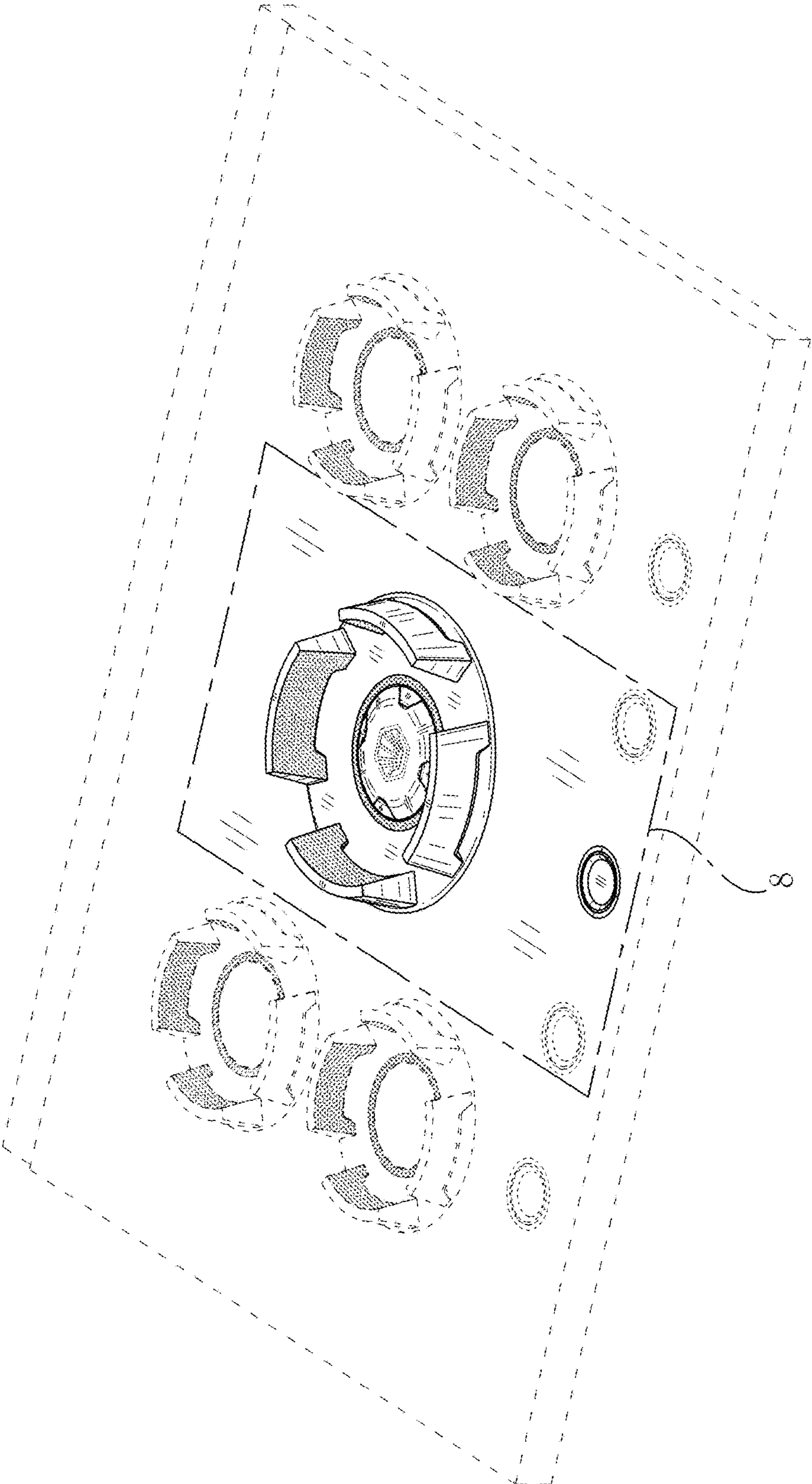


FIG. 2

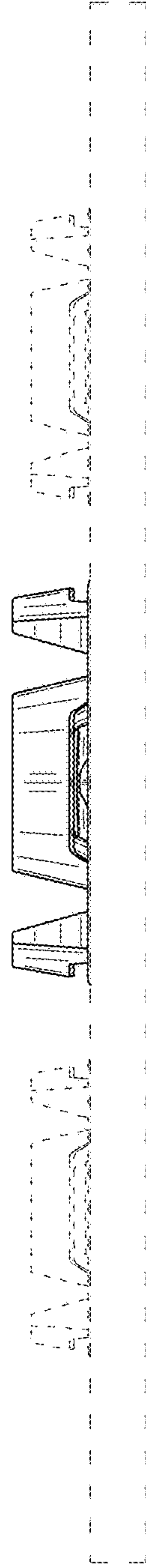


FIG. 3

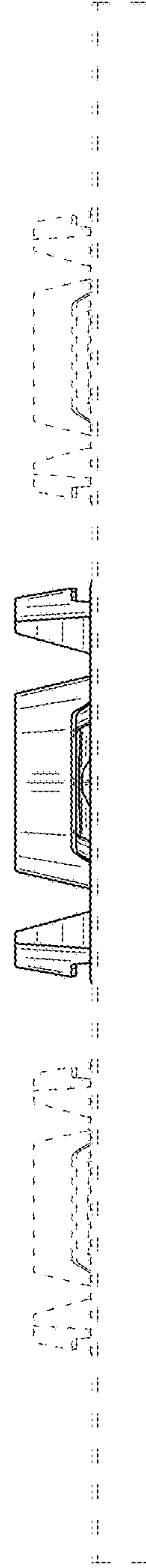


FIG. 4

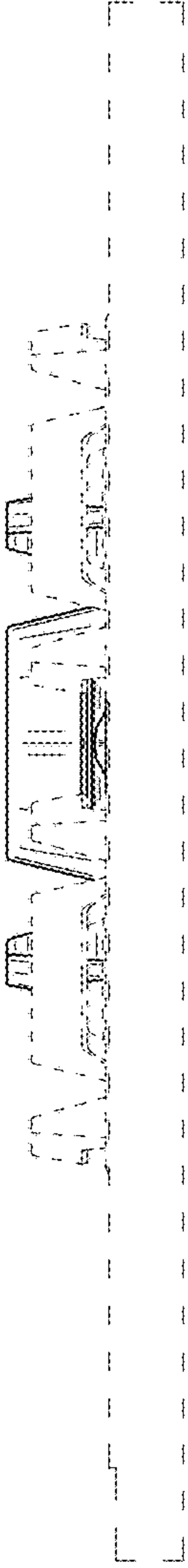
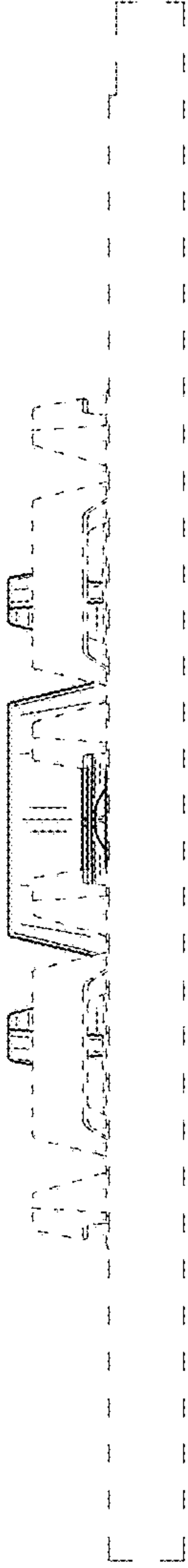


FIG. 5





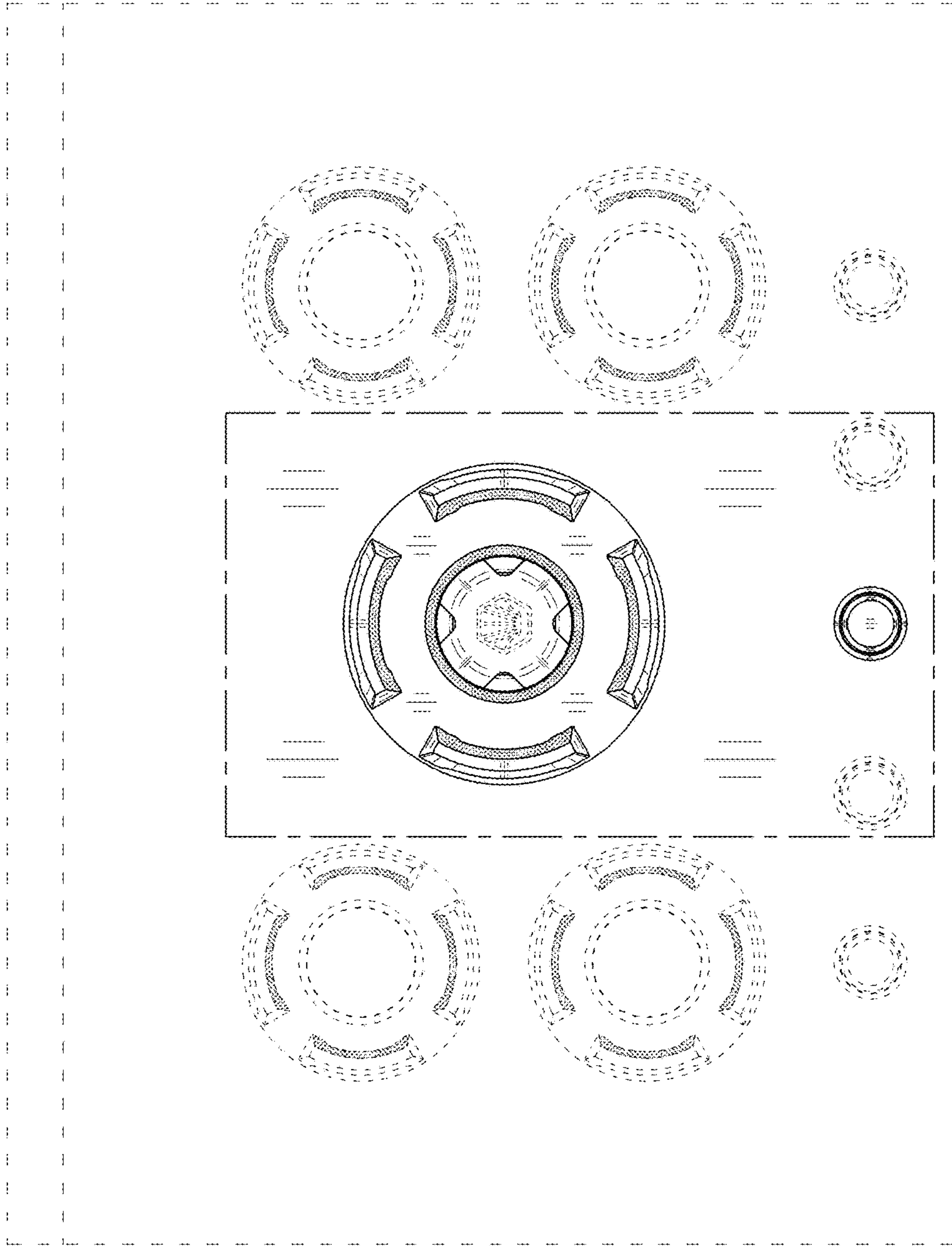


FIG. 6



FIG. 7

FIG. 8

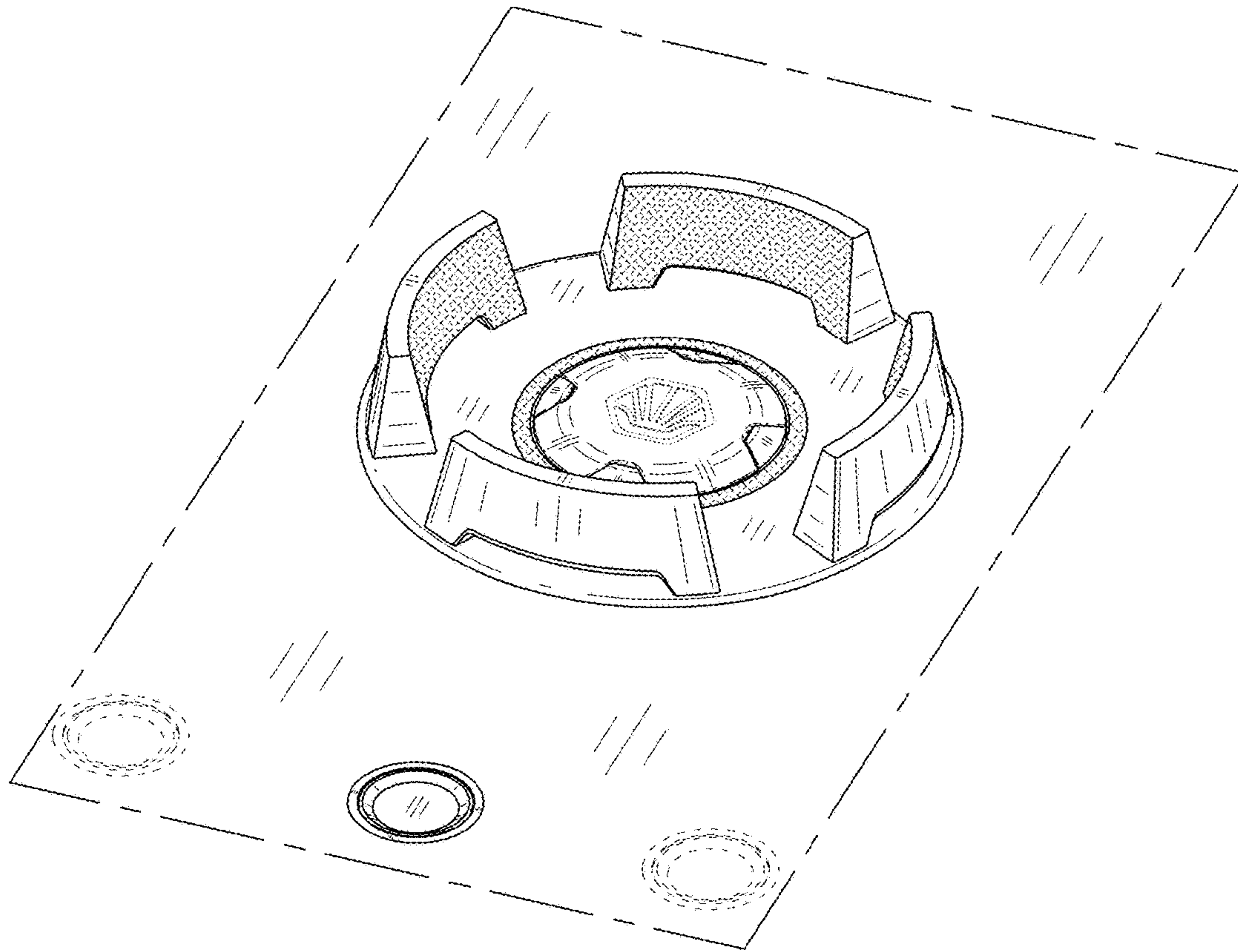




FIG. 9

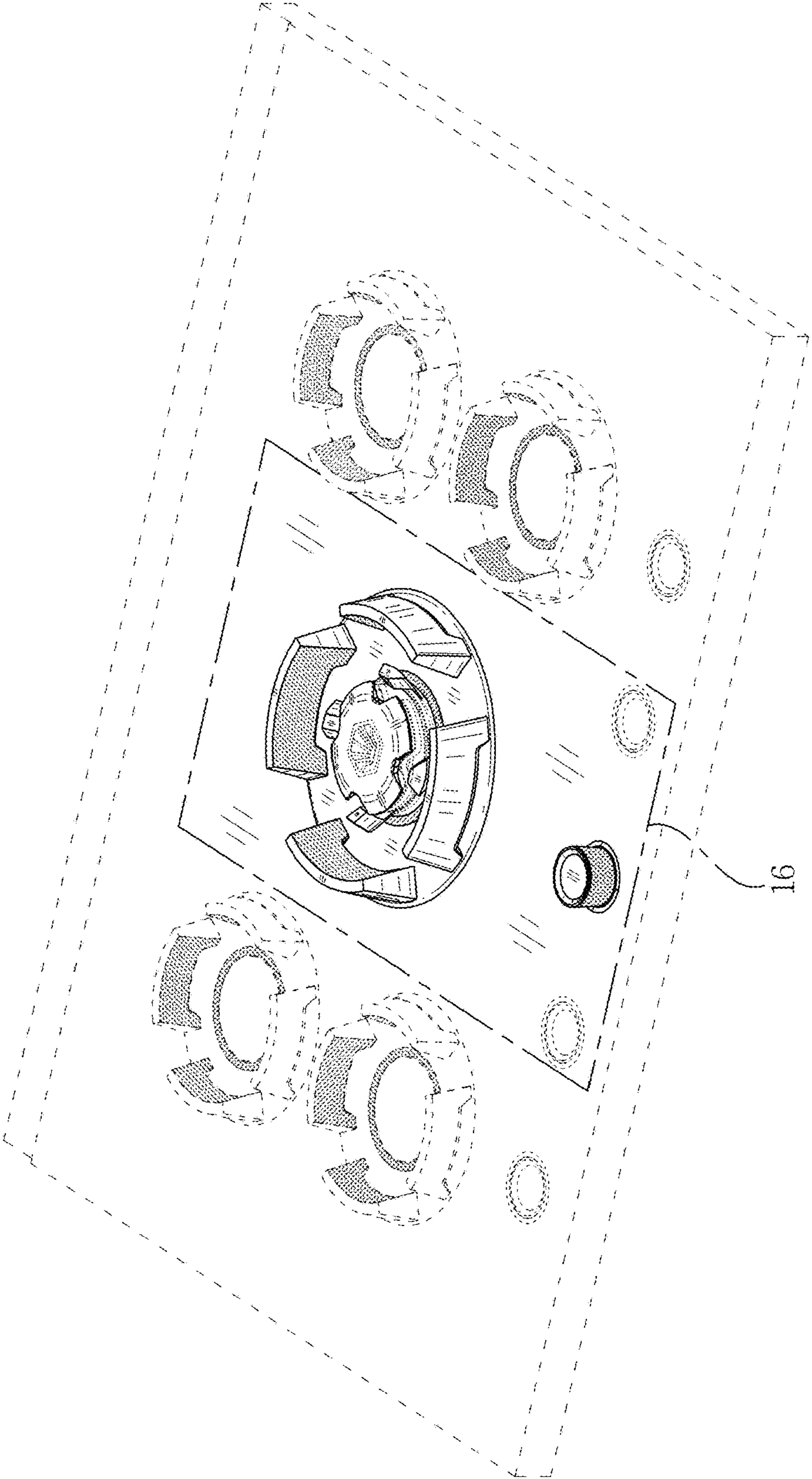


FIG. 10

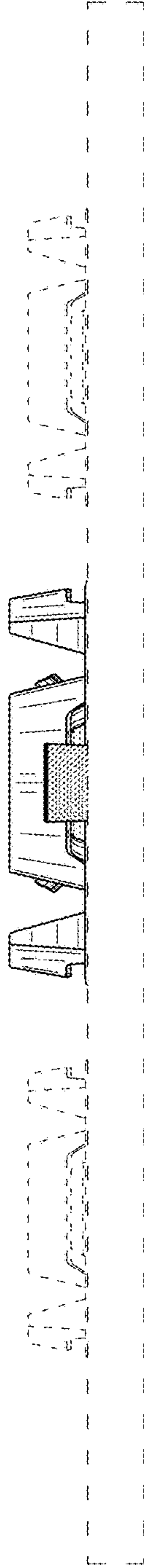


FIG. 11

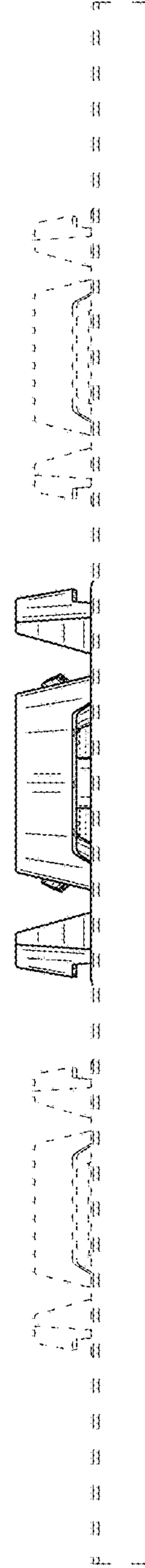


FIG. 12

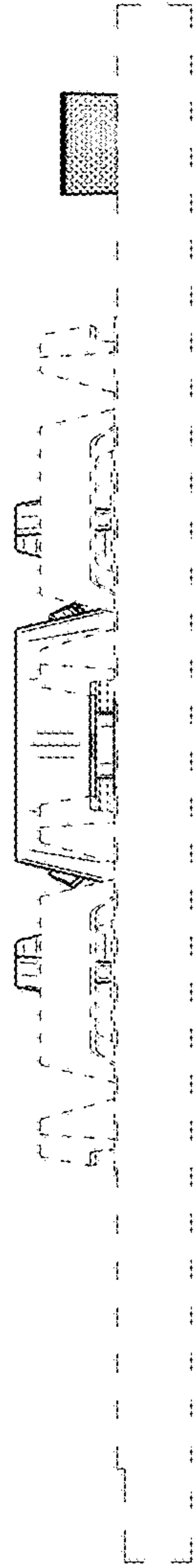
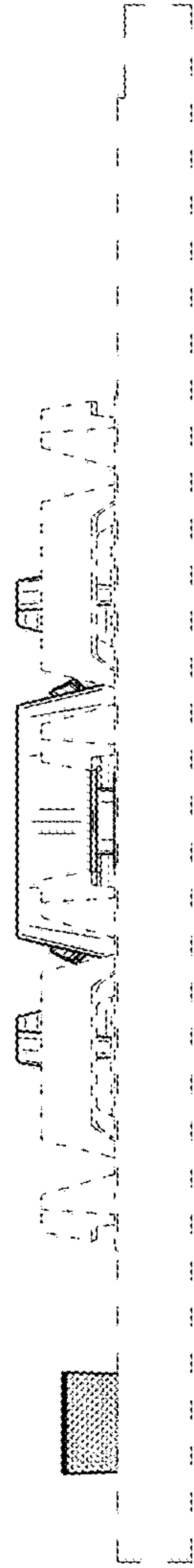


FIG. 13



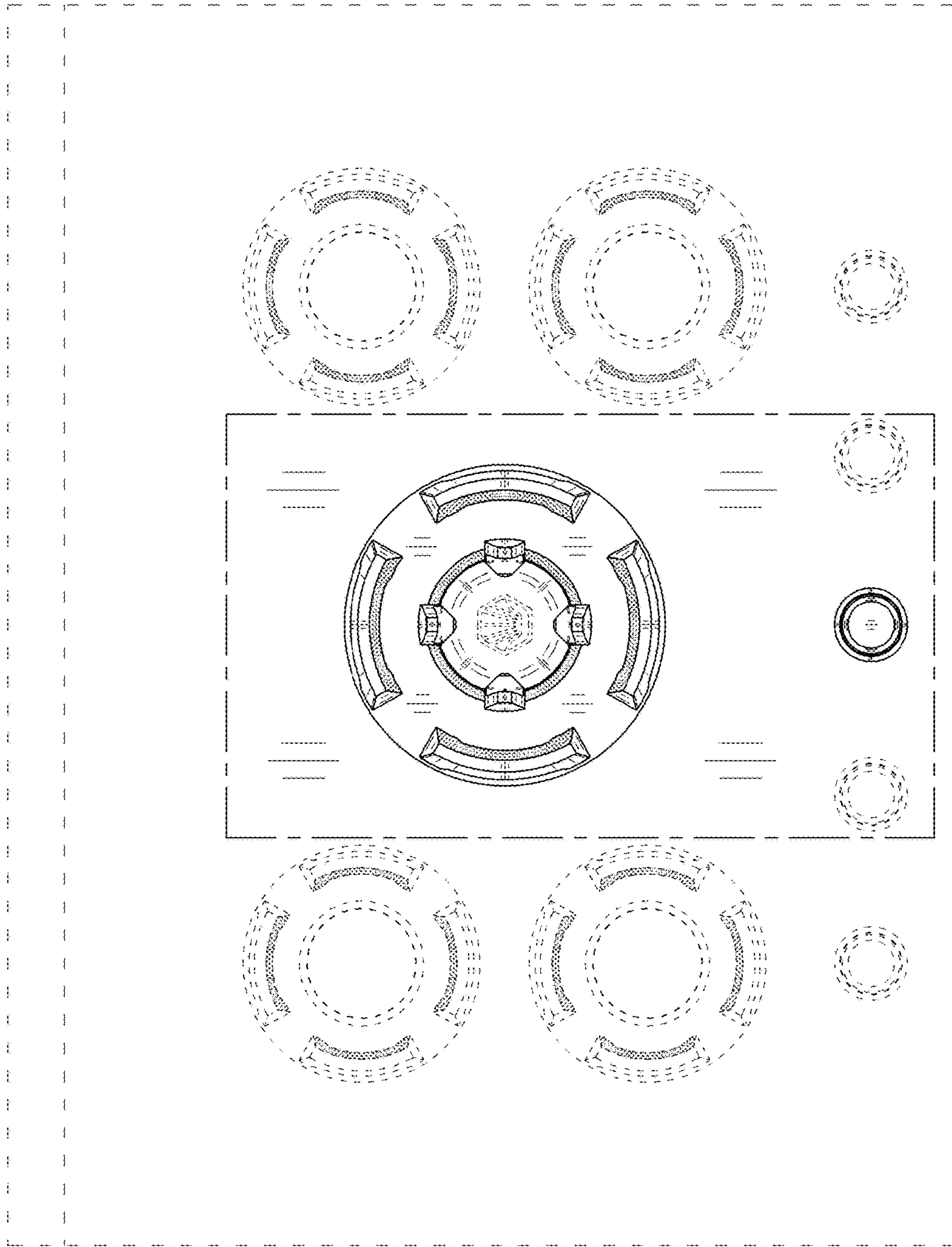


FIG. 14



FIG. 15

FIG. 16

