



US00D821801S

(12) **United States Design Patent** (10) **Patent No.:** **US D821,801 S**
Jeon et al. (45) **Date of Patent:** **** Jul. 3, 2018**

(54) **GAS RANGE**

FOREIGN PATENT DOCUMENTS

(71) Applicant: **Samsung Electronics Co., Ltd.**,
Suwon-si (KR)

KR	300593013 S	3/2011
KR	300764256 S	10/2014
KR	300799536 S	6/2015

(72) Inventors: **Jongsu Jeon**, Seongnam-si (KR);
Jae-Moon Lee, Seoul (KR)

* cited by examiner

(73) Assignee: **SAMSUNG ELECTRONICS CO., LTD.**, Gyeonggi-Do (KR)

Primary Examiner — Freda S Nunn

(74) *Attorney, Agent, or Firm* — Cantor Colburn LLP

(**) Term: **15 Years**

(57) **CLAIM**

(21) Appl. No.: **29/601,360**

The ornamental design for a gas range, as shown and described.

(22) Filed: **Apr. 21, 2017**

(30) **Foreign Application Priority Data**

DESCRIPTION

Oct. 24, 2016 (KR) 30-2016-0050866

(51) **LOC (11) Cl.** **07-02**

(52) **U.S. Cl.**
USPC **D7/346**

(58) **Field of Classification Search**
USPC D7/323, 339–341, 344, 346–349, 352,
D7/362, 363, 402, 405–409; D8/311,
D8/312; 99/324, 325, 330–339, 342, 403
See application file for complete search history.

FIG. 1 is a perspective view of a gas range, showing our new design;
 FIG. 2 is a front view thereof;
 FIG. 3 is a rear view thereof;
 FIG. 4 is a left side view thereof;
 FIG. 5 is a right side view thereof;
 FIG. 6 is a top view thereof;
 FIG. 7 is a bottom view thereof;
 FIG. 8 is a perspective view of the gas range shown in an alternate position;
 FIG. 9 is a front view thereof;
 FIG. 10 is a rear view thereof;
 FIG. 11 is a left side view thereof;
 FIG. 12 is a right side view thereof;
 FIG. 13 is a top view thereof; and,
 FIG. 14 is a bottom view thereof.
 The broken lines illustrating portions of the gas range form no part of the claimed design.

(56) **References Cited**

U.S. PATENT DOCUMENTS

D530,972 S	10/2006	Park	
D580,211 S *	11/2008	Erikson	D7/346
D642,417 S	8/2011	Kim et al.	
D706,577 S *	6/2014	Funnell, II	D7/354
8,919,335 B2 *	12/2014	Weyandt	A47J 33/00 126/154
9,468,216 B2 *	10/2016	Parth	A21B 3/134
9,545,172 B2 *	1/2017	Davis	A47J 37/048

1 Claim, 10 Drawing Sheets

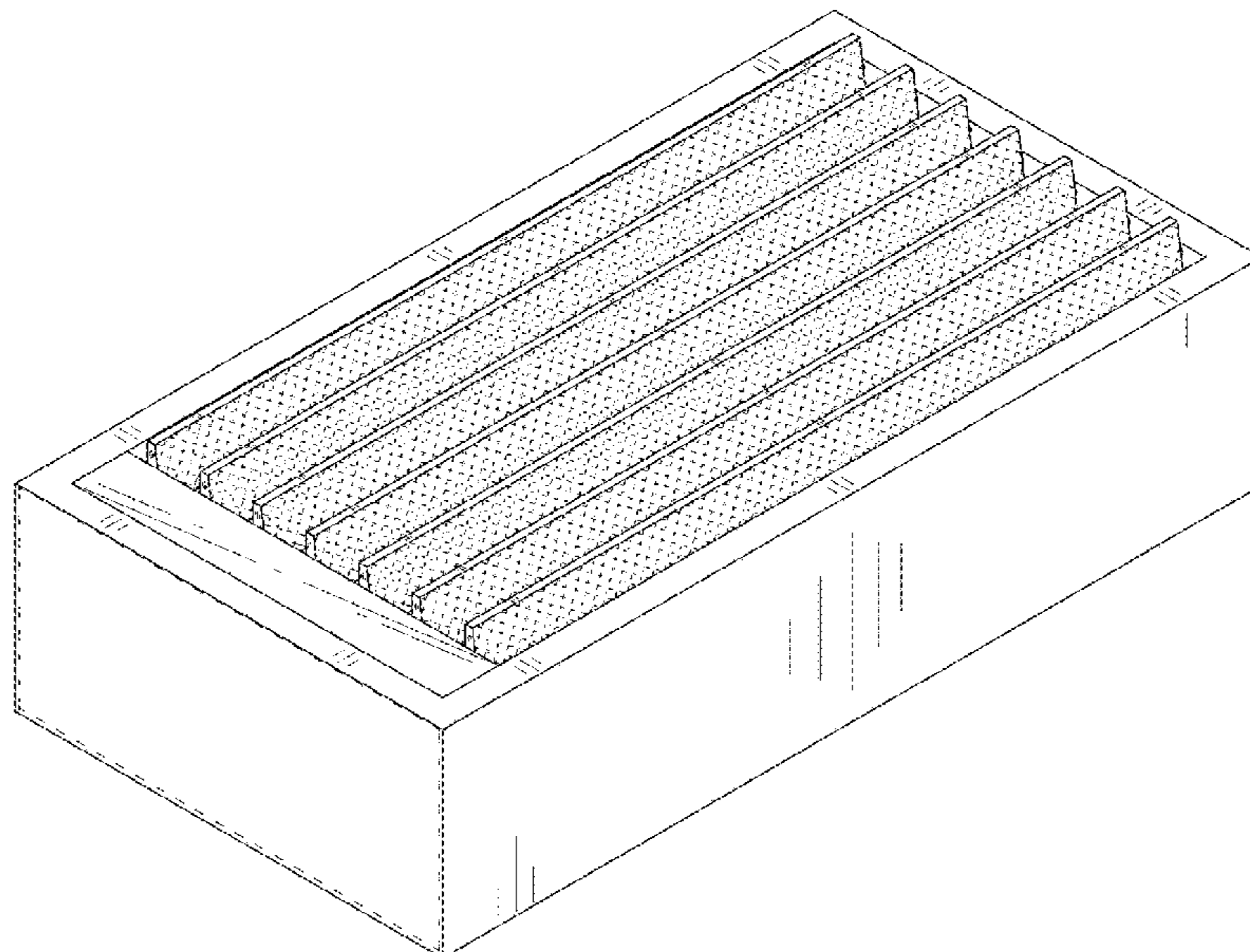


FIG. 1

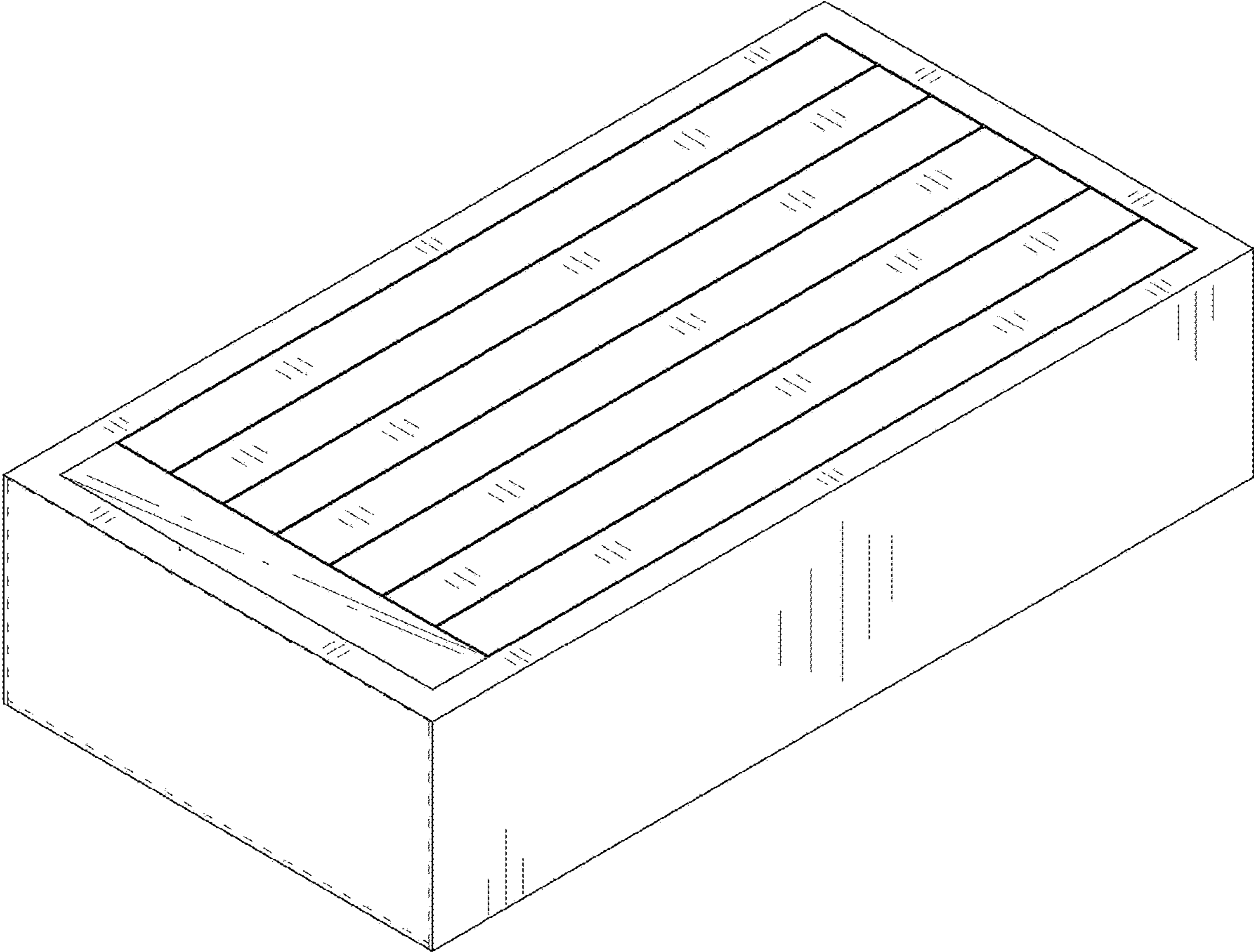


FIG. 2

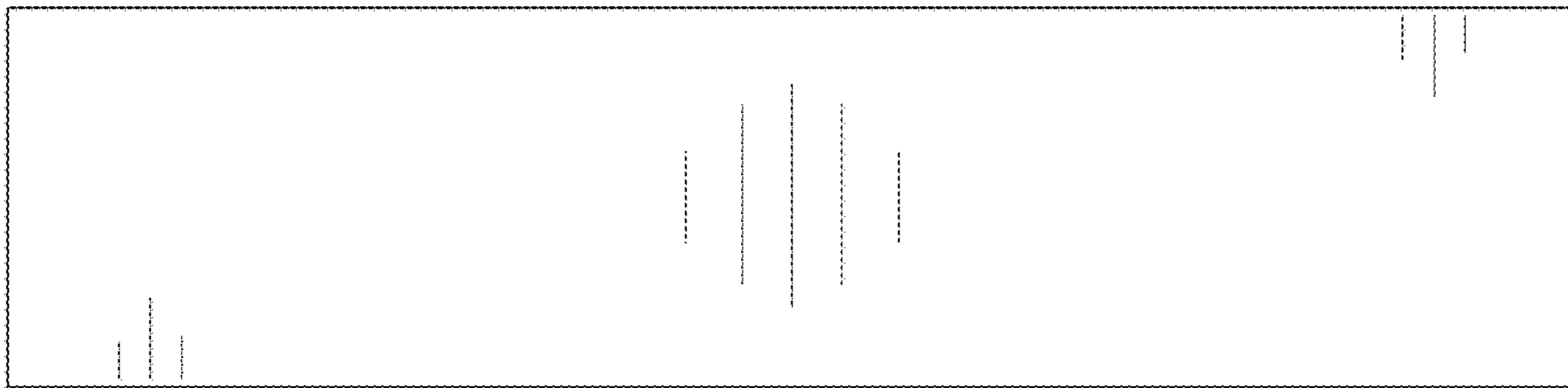


FIG. 3

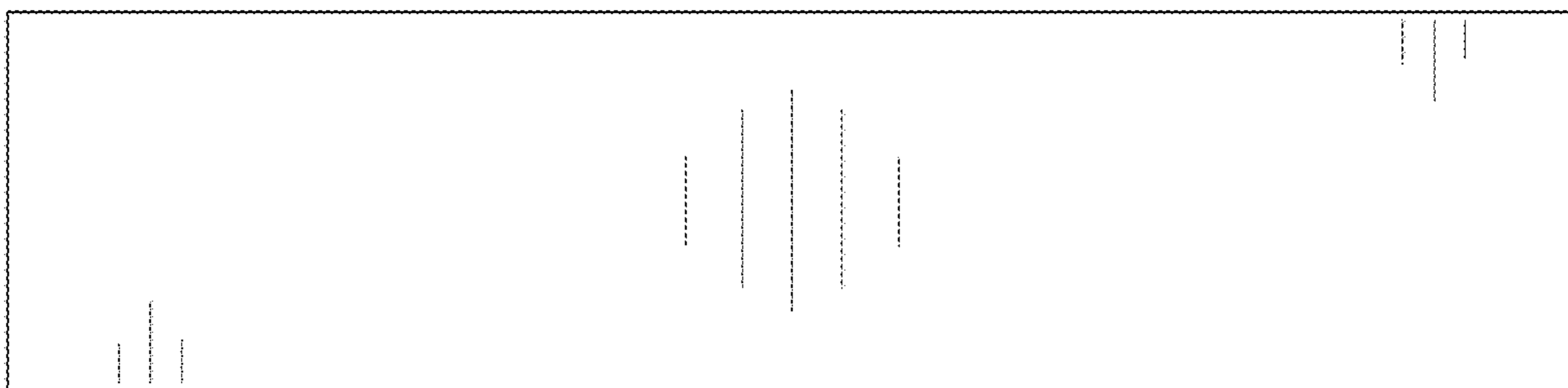


FIG. 4

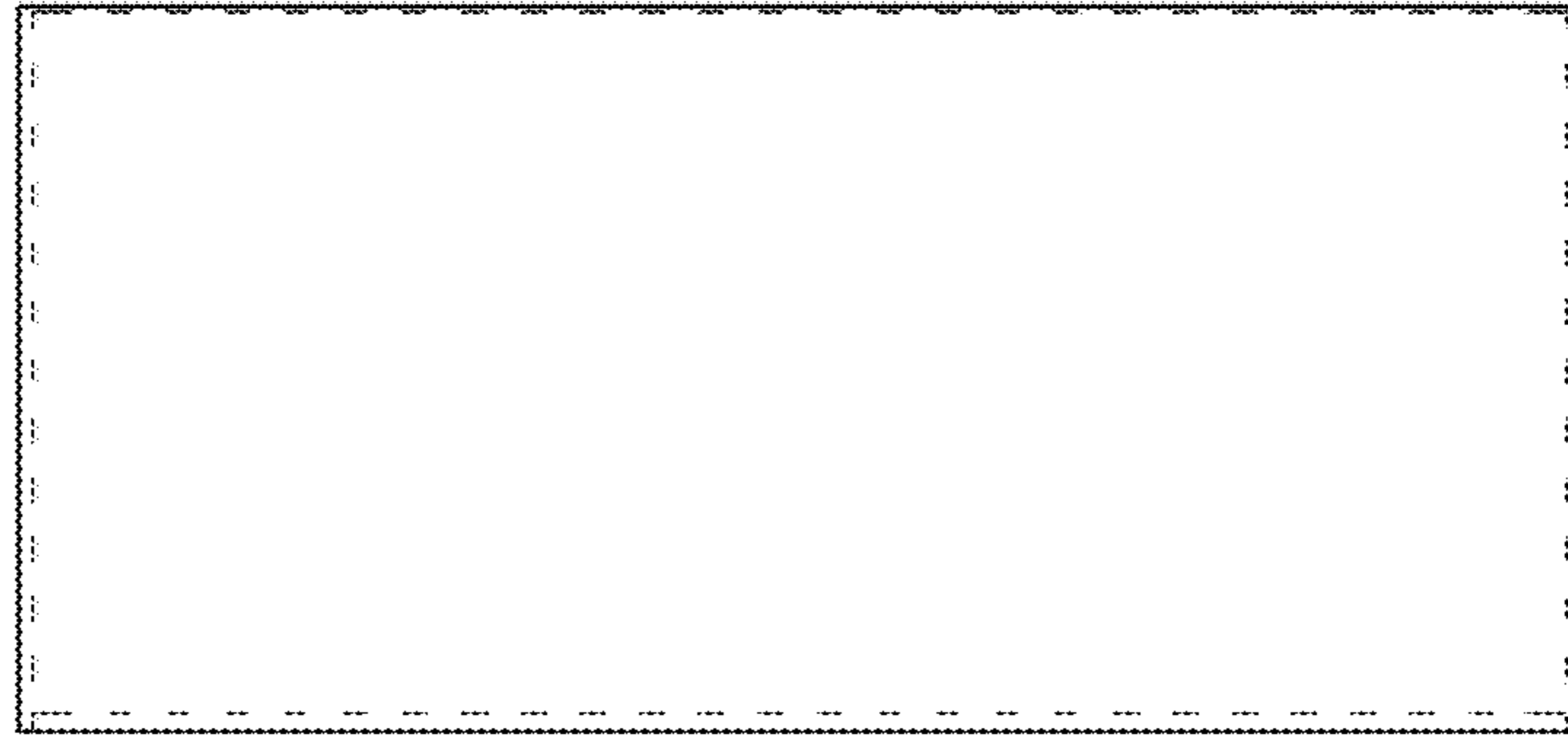


FIG. 5

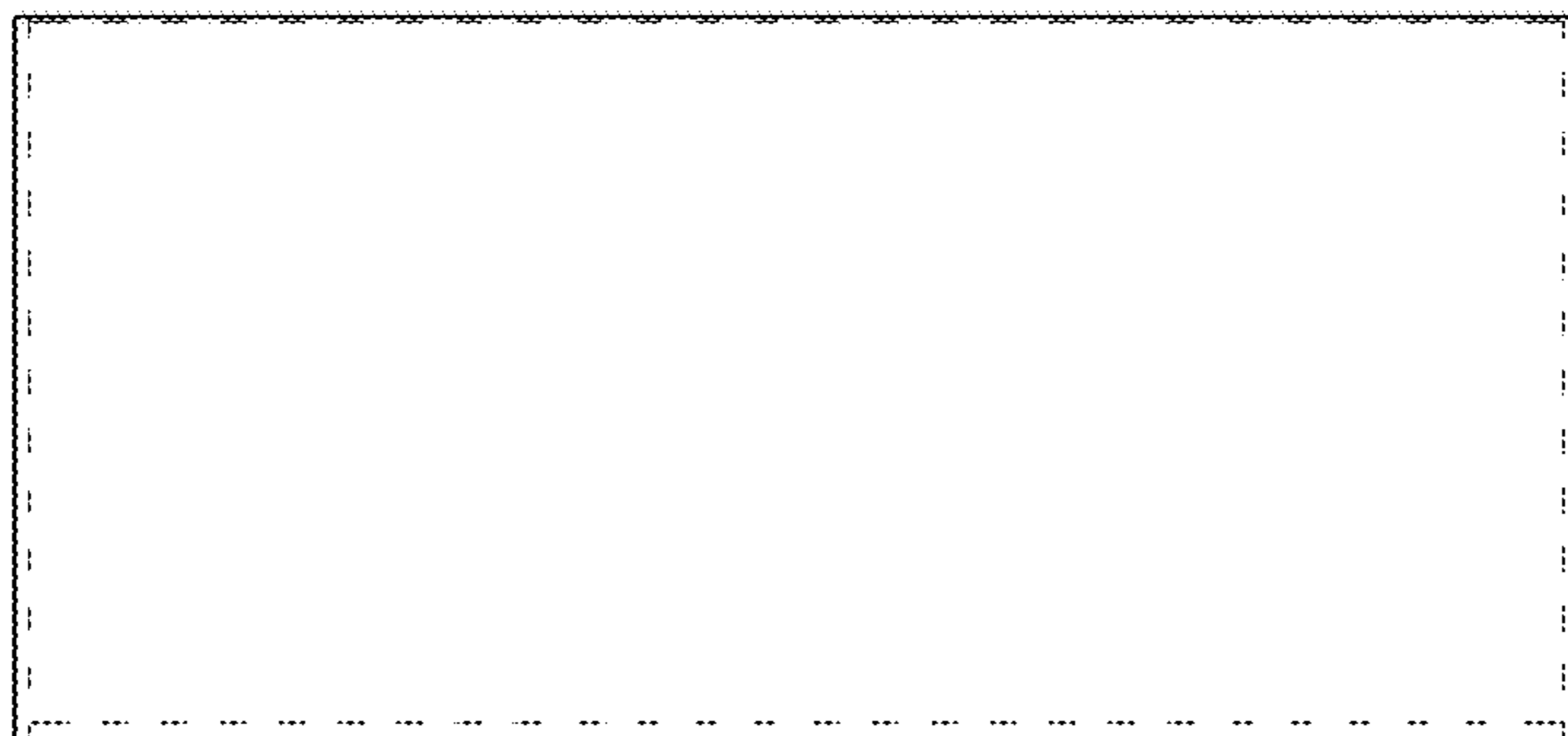


FIG. 6

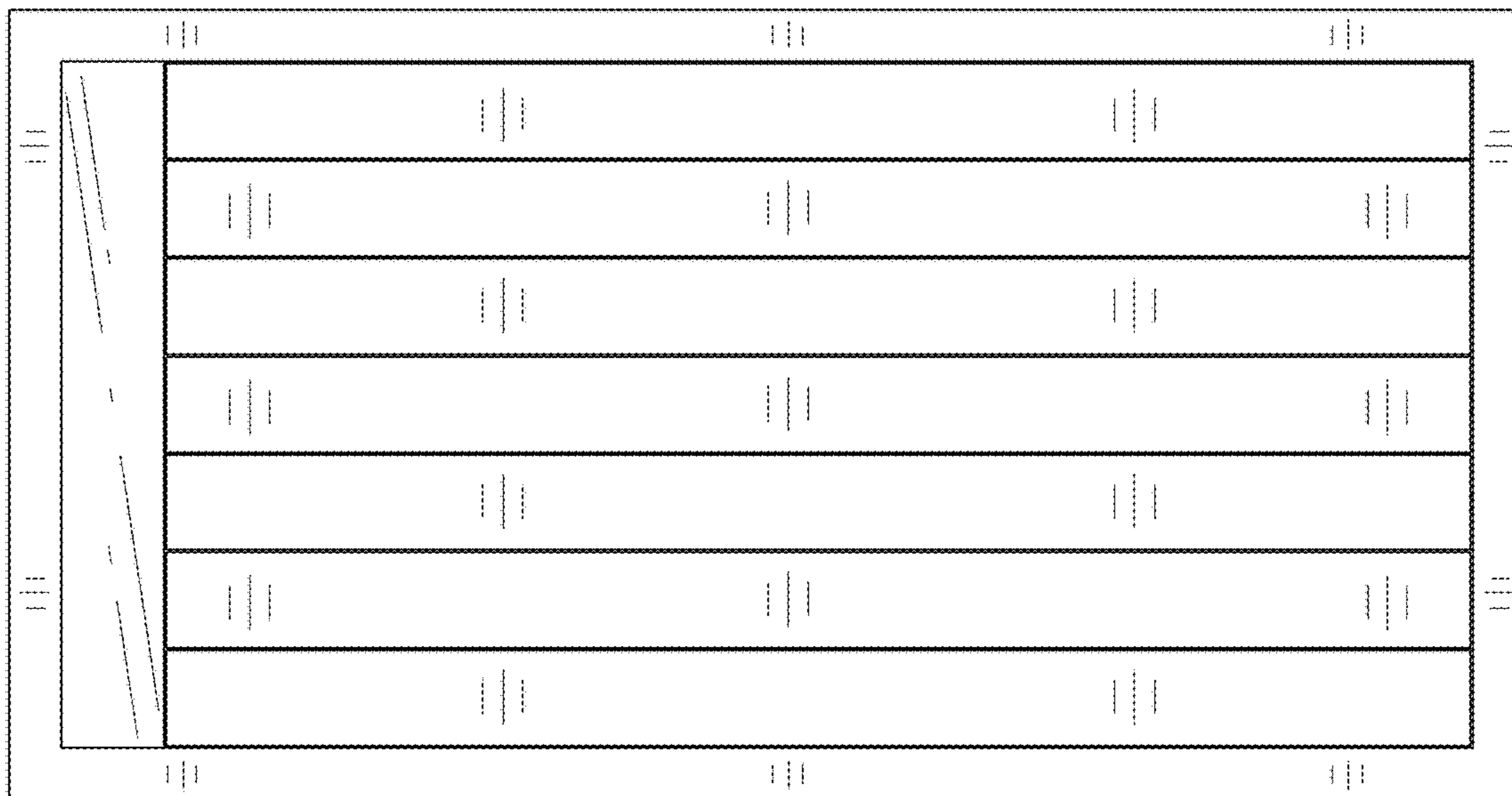


FIG. 7

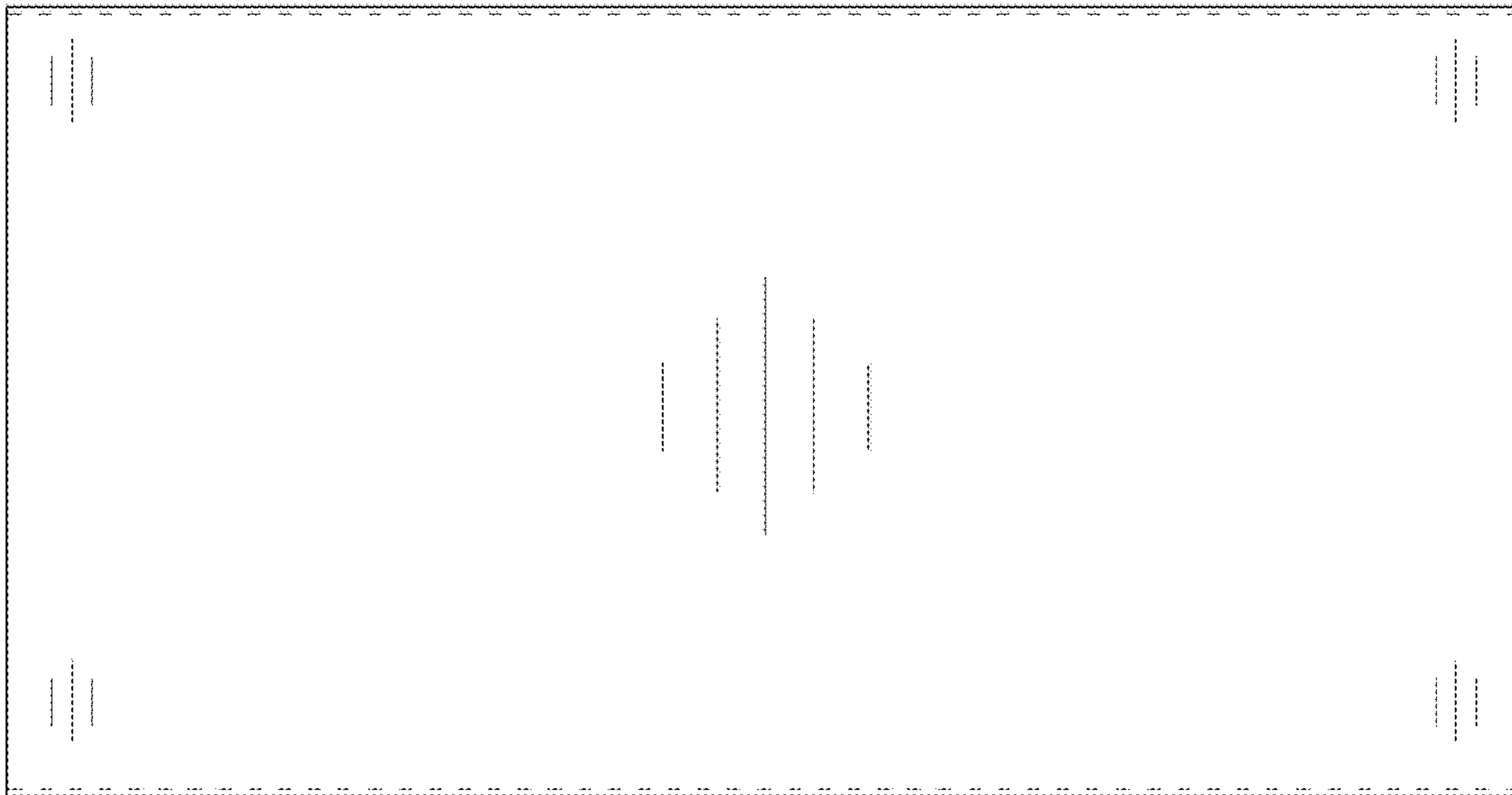


FIG. 8

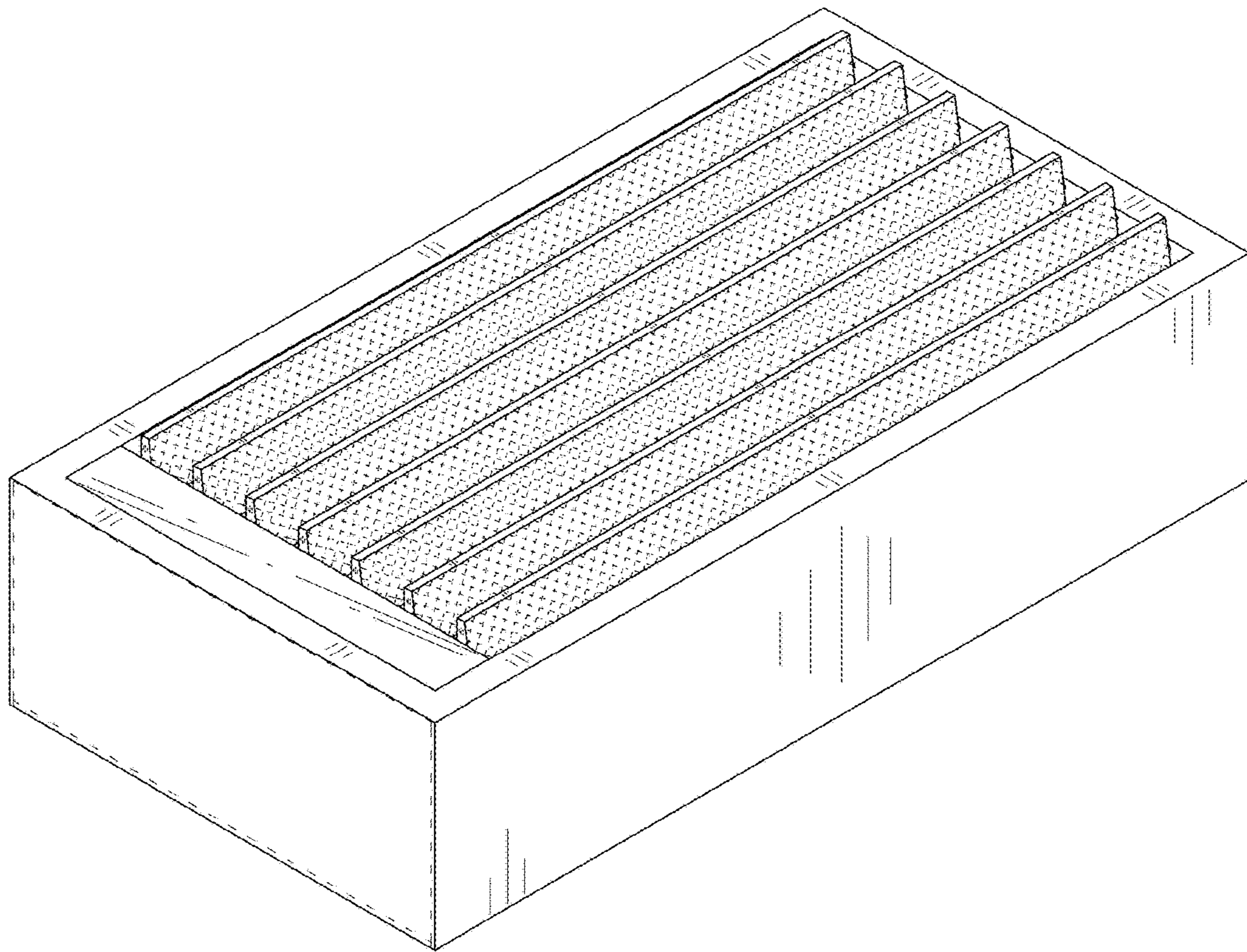


FIG. 9

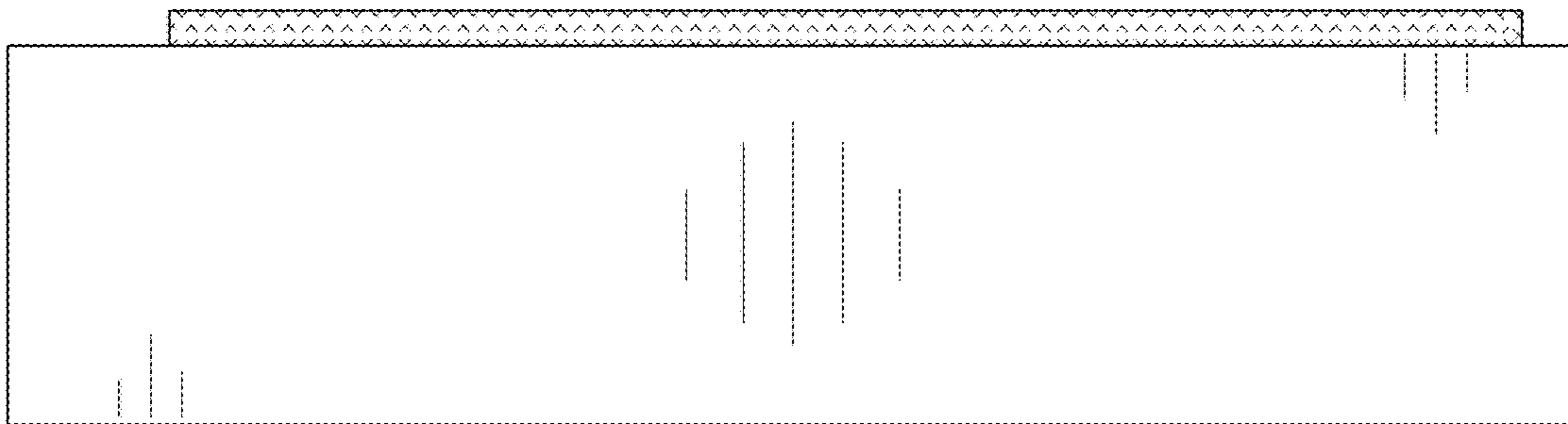


FIG. 10

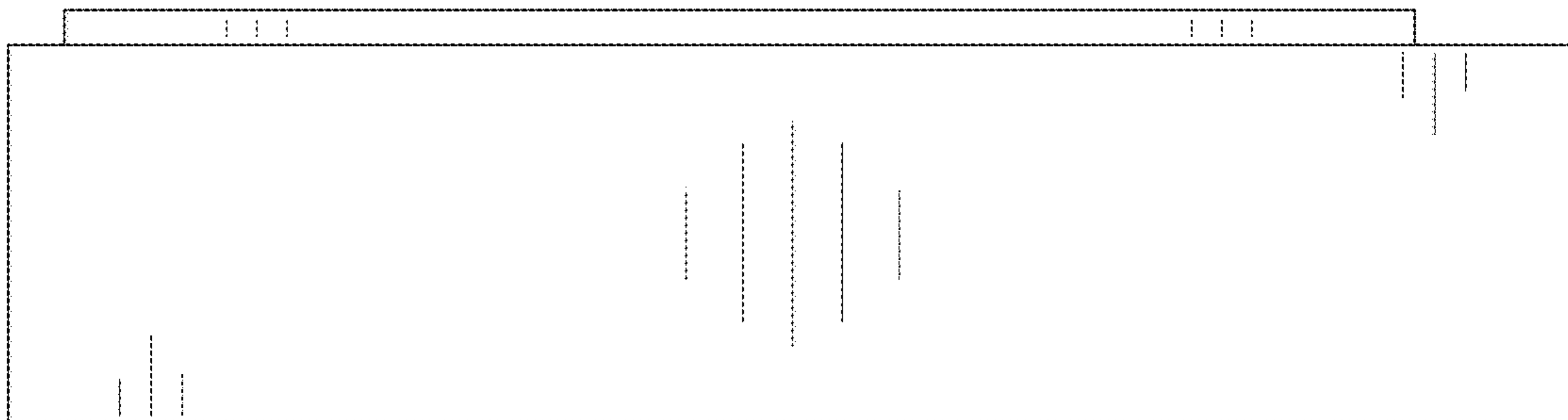


FIG. 11

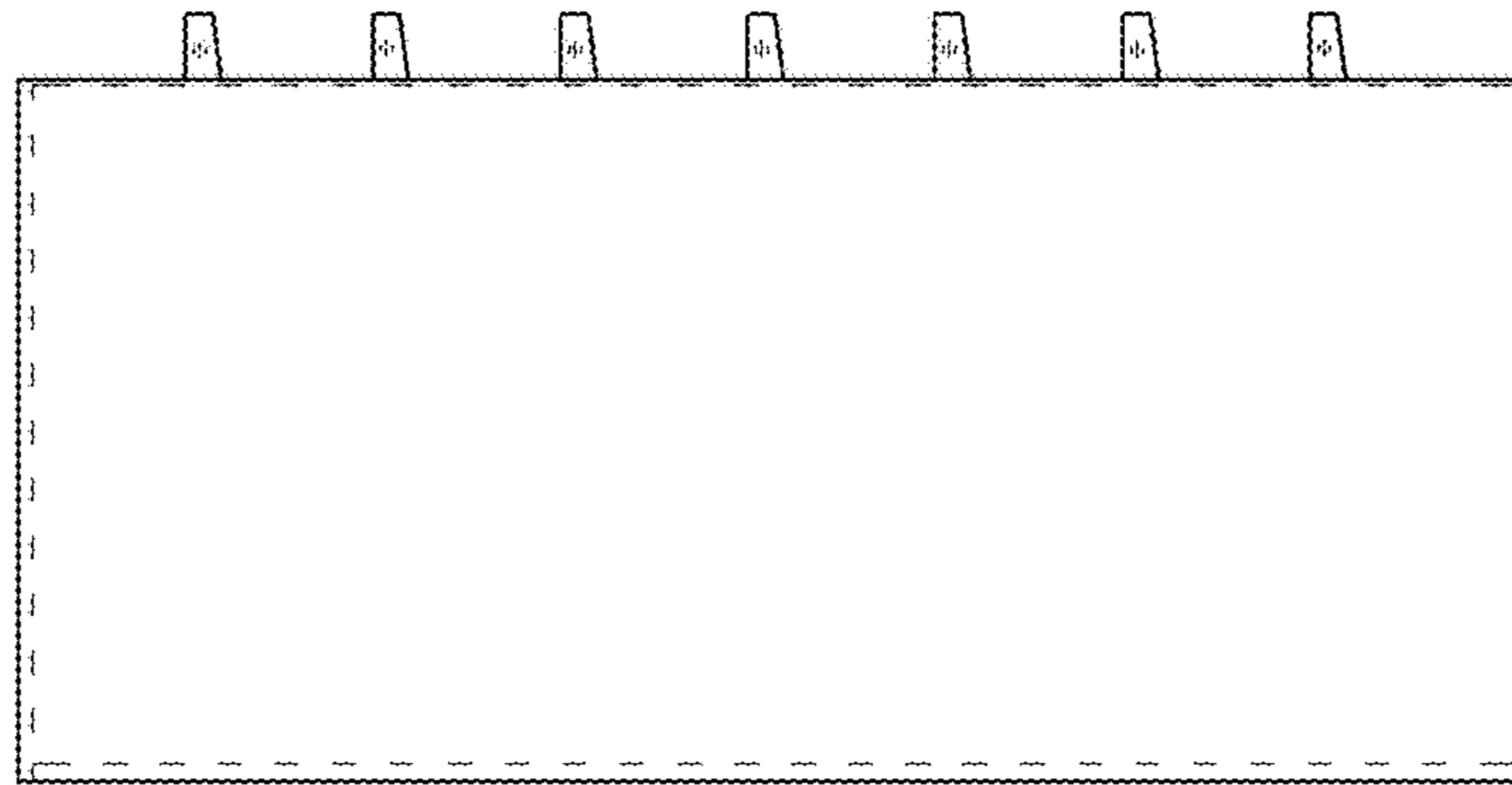


FIG. 12

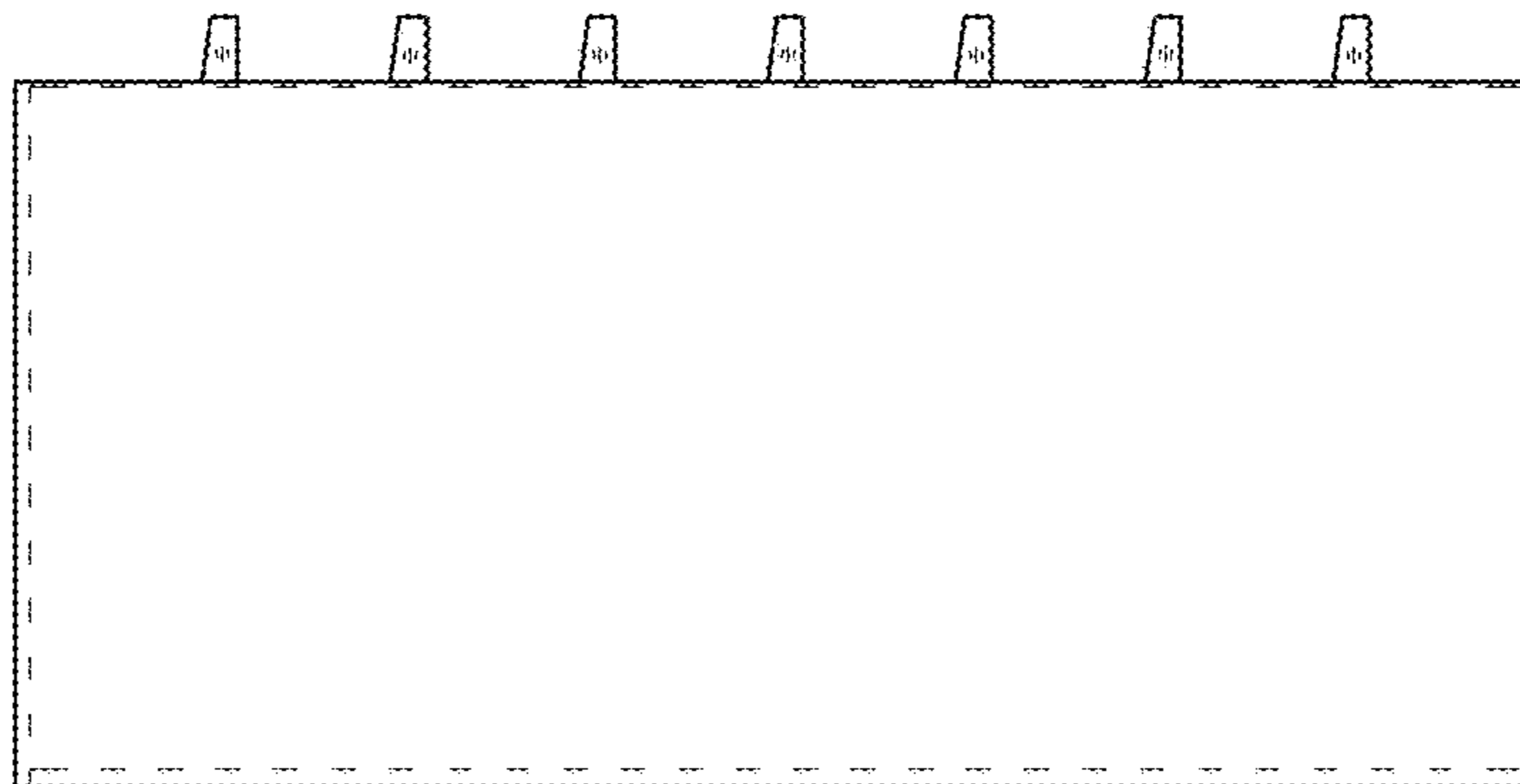


FIG. 13

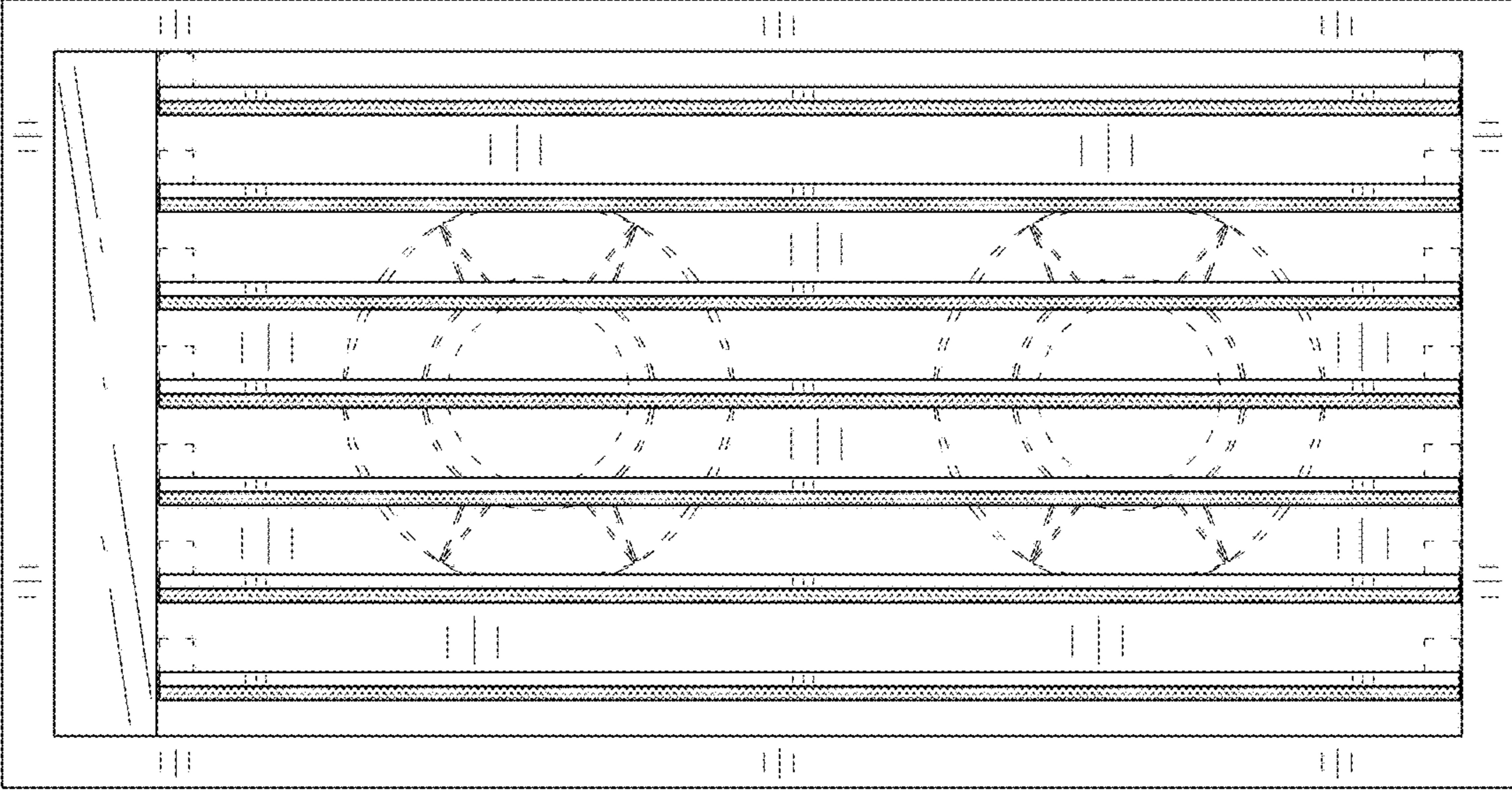


FIG. 14

