



US00D821800S

(12) **United States Design Patent**  
**Jeon et al.**

(10) **Patent No.:** **US D821,800 S**  
(45) **Date of Patent:** **\*\* Jul. 3, 2018**

(54) **GAS RANGE**

FOREIGN PATENT DOCUMENTS

(71) Applicant: **SAMSUNG ELECTRONICS CO., LTD.**, Suwon-si, Gyeonggi-do (KR)

KR 300539907 S 9/2009  
KR 300711115 S 11/2013

(Continued)

(72) Inventors: **Jongsu Jeon**, Seongnam-si (KR);  
**Binna Kim**, Seoul (KR); **Jae-moon Lee**, Seoul (KR); **Hwanwoong Choi**, Seoul (KR)

*Primary Examiner* — Freda S Nunn  
(74) *Attorney, Agent, or Firm* — Cantor Colburn LLP

(73) Assignee: **SAMSUNG ELECTRONICS CO., LTD.**, Gyeonggi-Do (KR)

(57) **CLAIM**

The ornamental design for a gas range, as shown and described.

(\*\*) Term: **15 Years**

**DESCRIPTION**

(21) Appl. No.: **29/601,134**

FIG. 1 is a perspective view of a gas range, showing our new design;

(22) Filed: **Apr. 19, 2017**

FIG. 2 is a front view thereof;  
FIG. 3 is a rear view thereof;  
FIG. 4 is a left side view thereof;  
FIG. 5 is a right side view thereof;

(30) **Foreign Application Priority Data**

Oct. 20, 2016 (KR) ..... 30-2016-0050452

FIG. 6 is a top view thereof;  
FIG. 7 is a bottom view thereof;

(51) **LOC (11) Cl.** ..... **07-02**

FIG. 8 is an enlarged view of the encircled portion 8 in FIG. 1;

(52) **U.S. Cl.**

USPC ..... **D7/346**

FIG. 9 is a perspective view of the gas range shown in an alternate position;

(58) **Field of Classification Search**

USPC ..... D7/339-341, 344, 346-349, 352, 362,  
D7/363, 402, 405-409; D8/311, 312;  
99/324, 325, 330-339, 342, 403

See application file for complete search history.

FIG. 10 is a front view thereof;  
FIG. 11 is a rear view thereof;

FIG. 12 is a left side view thereof;  
FIG. 13 is a right side view thereof;

FIG. 14 is a top view thereof;  
FIG. 15 is a bottom view thereof; and,

FIG. 16 is an enlarged view of the encircled portion 16 in FIG. 9.

(56) **References Cited**

U.S. PATENT DOCUMENTS

6,263,869 B1 \* 7/2001 Abernethy ..... F24C 15/14  
126/211  
6,860,224 B2 \* 3/2005 Snider ..... G05G 1/105  
116/286

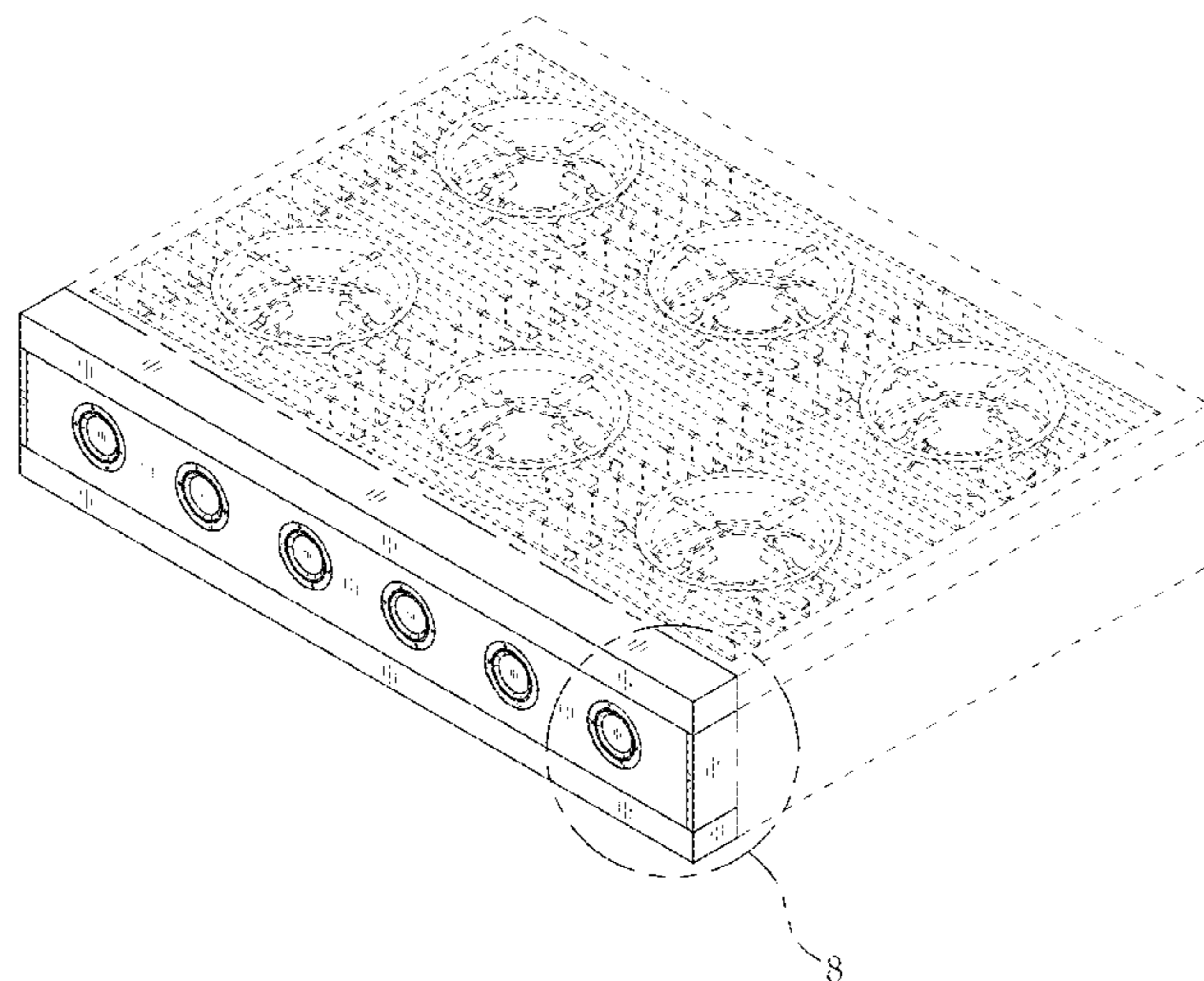
The broken lines illustrating portions of the gas range form no part of the claimed design.

The long-dash, short-dash broken lines define boundaries of the claimed design and form no part of the claimed design.

The long-dash, short-dash, short-dash broken lines encircling portions of the claimed design that are illustrated in enlargements form no part of the claimed design.

(Continued)

**1 Claim, 12 Drawing Sheets**



(56)

**References Cited**

U.S. PATENT DOCUMENTS

D511,641 S \* 11/2005 Kim ..... D7/346  
D534,628 S \* 1/2007 Chisenhall ..... D12/192  
D572,526 S \* 7/2008 Martin ..... D7/405  
D610,863 S 3/2010 Kim et al.  
7,726,295 B2 \* 6/2010 Elkasevic ..... F24C 15/006  
126/190  
8,344,289 B2 \* 1/2013 Rogers ..... F24C 15/006  
126/198  
D696,068 S \* 12/2013 Baacke ..... D7/402  
D779,877 S \* 2/2017 Atlaw ..... A47J 37/0786  
D7/409  
2008/0289940 A1 \* 11/2008 Kim ..... D06F 39/005  
200/336  
2017/0023258 A1 \* 1/2017 Keum ..... F24C 15/02

FOREIGN PATENT DOCUMENTS

KR 300784886 S 2/2015  
KR 300847089 S 3/2016

\* cited by examiner

FIG. 1

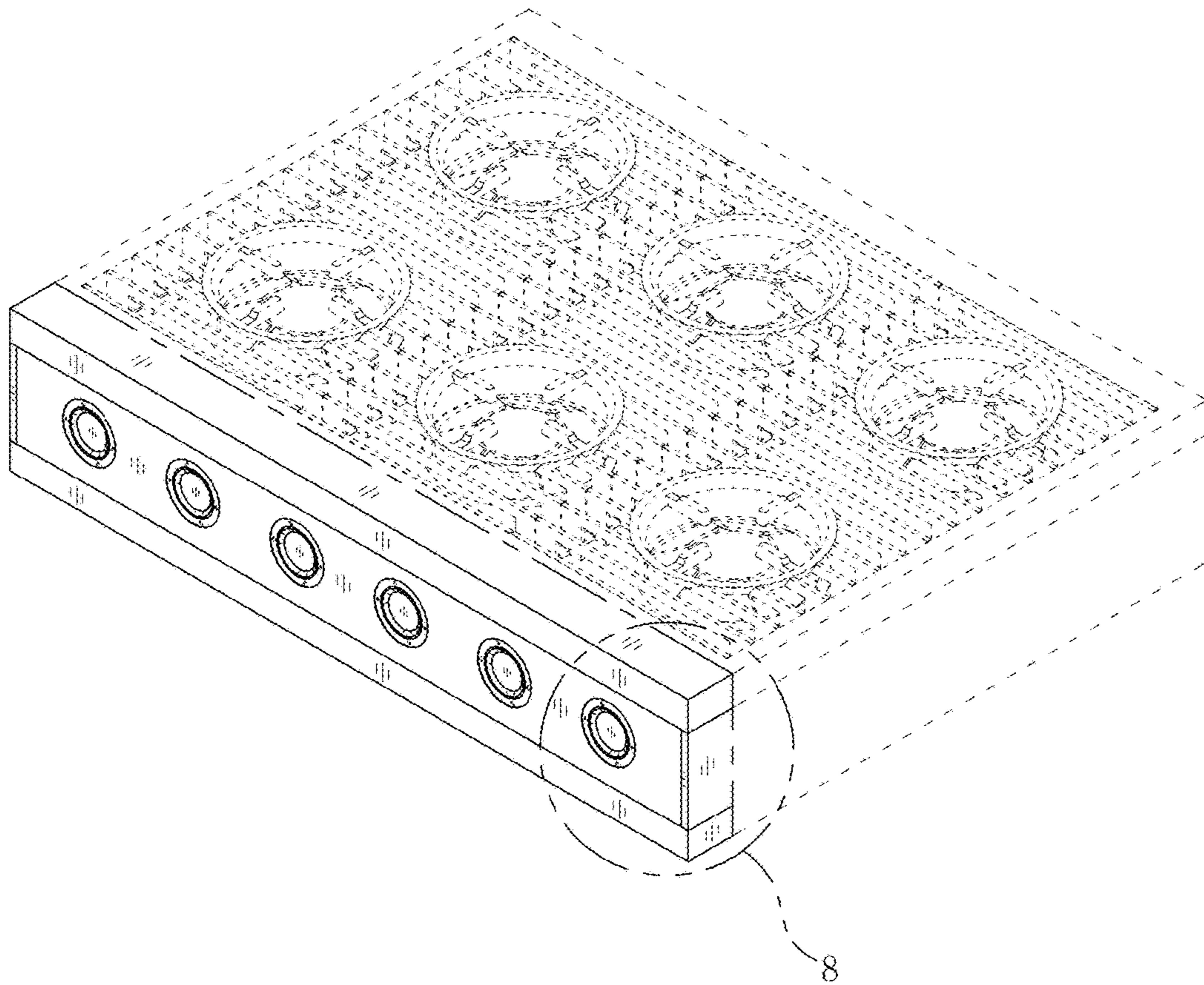


FIG. 2

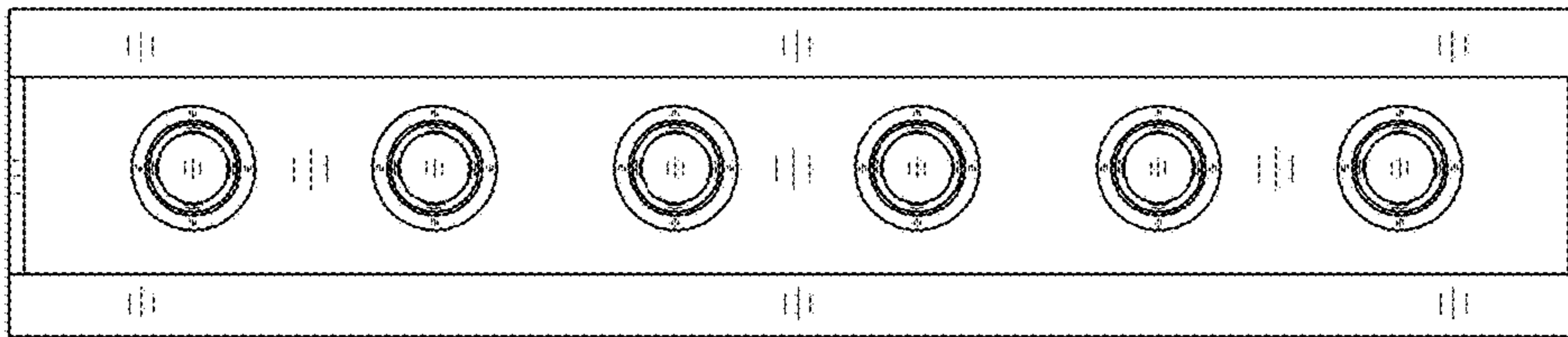


FIG. 3

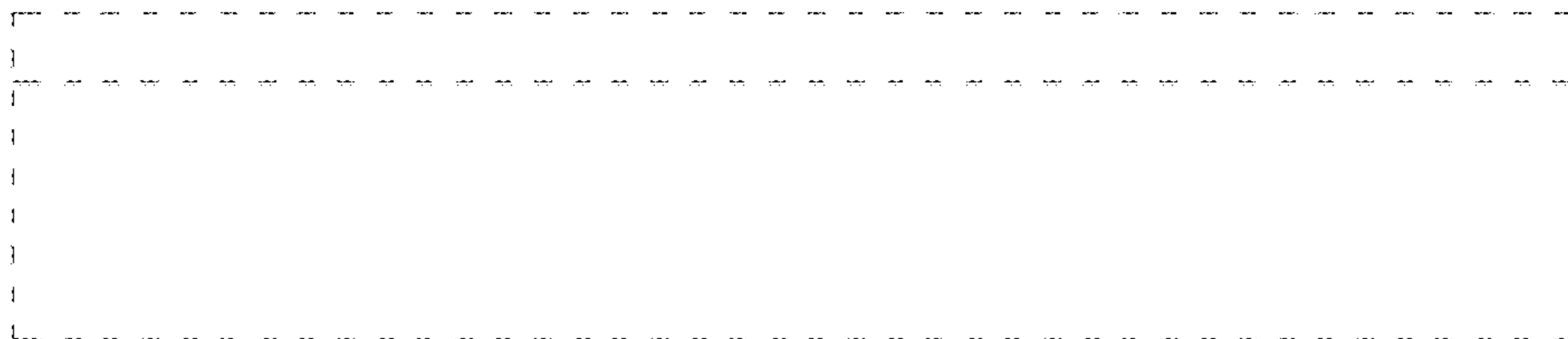


FIG. 4

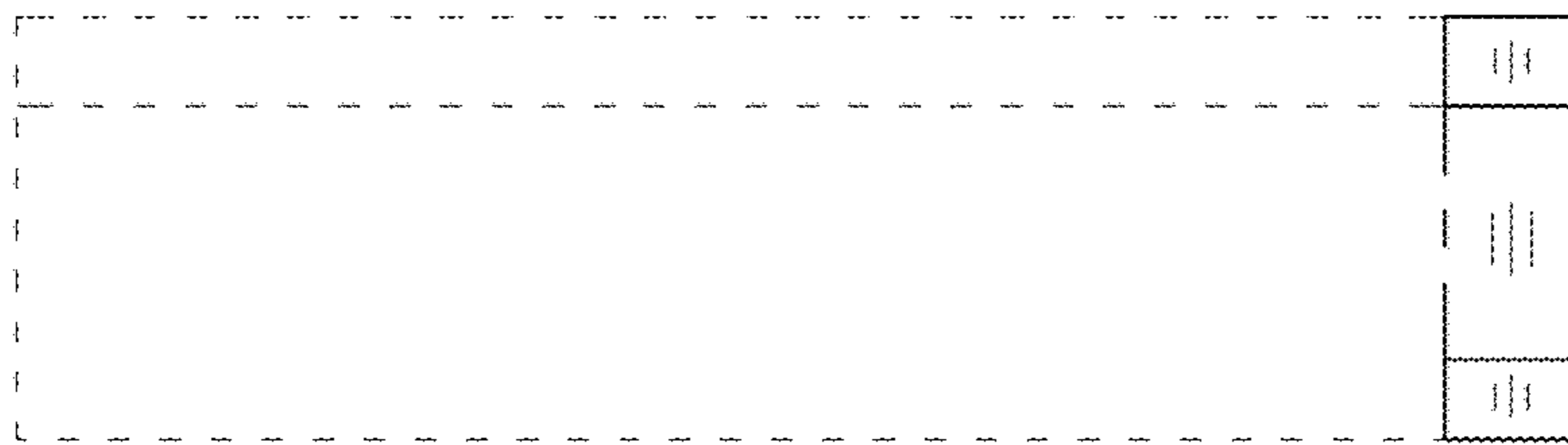


FIG. 5

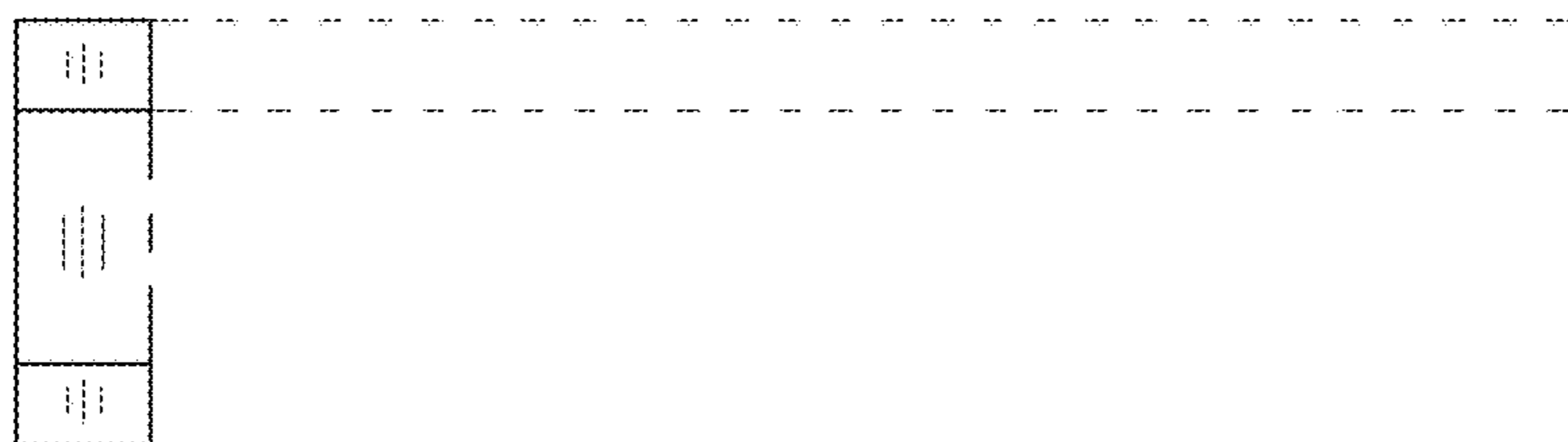


FIG. 6

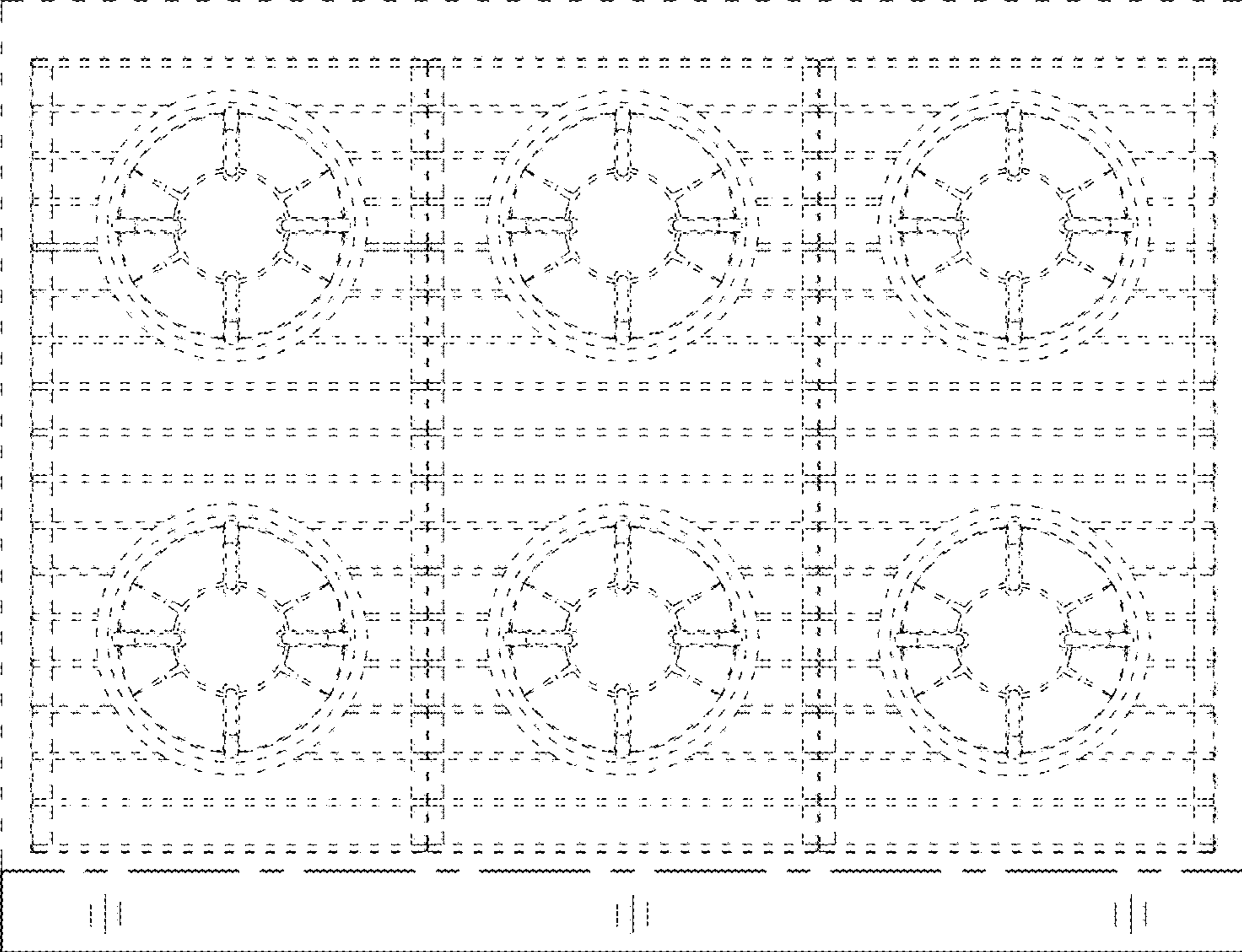


FIG. 7



FIG. 8

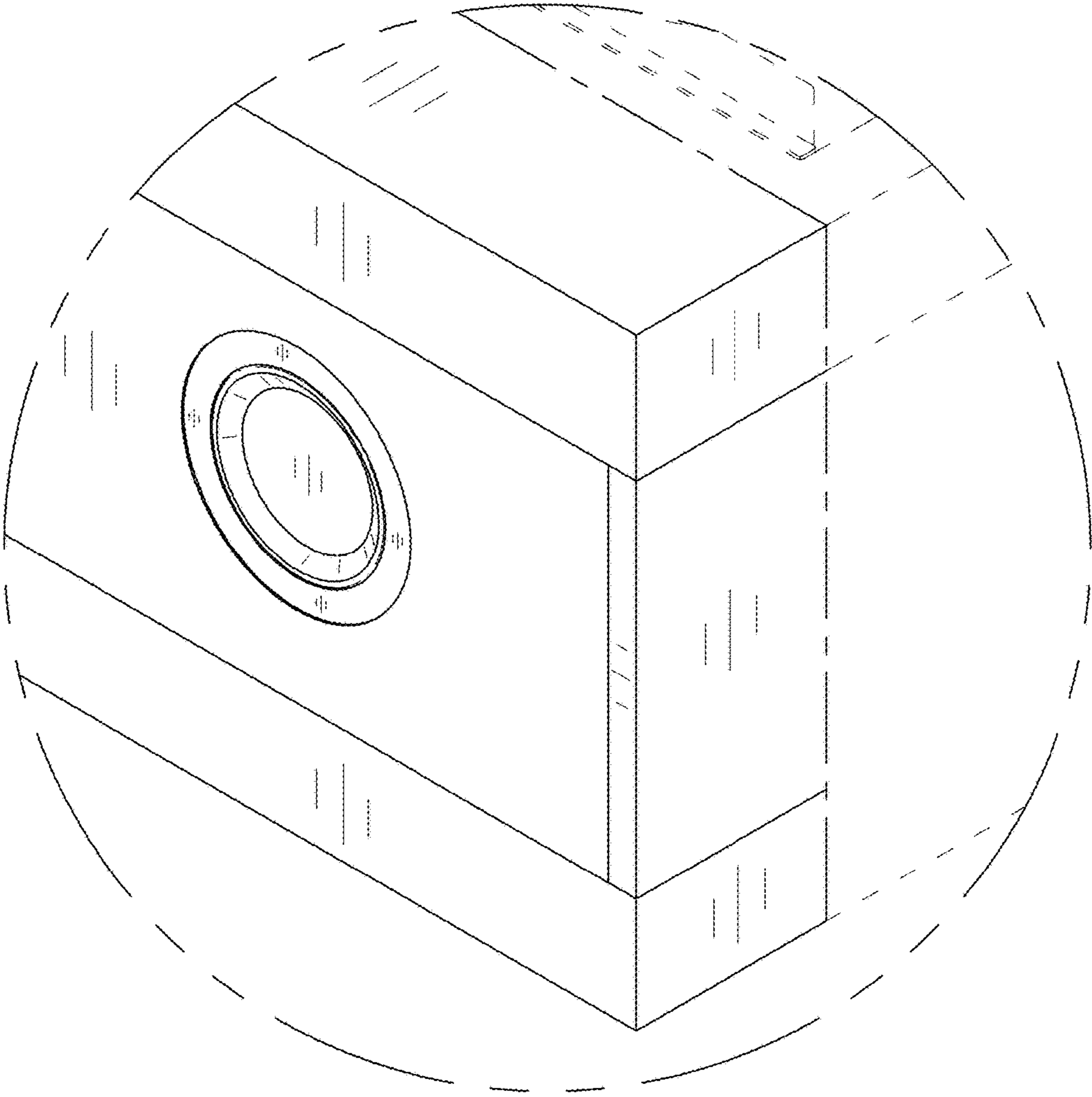




FIG. 9

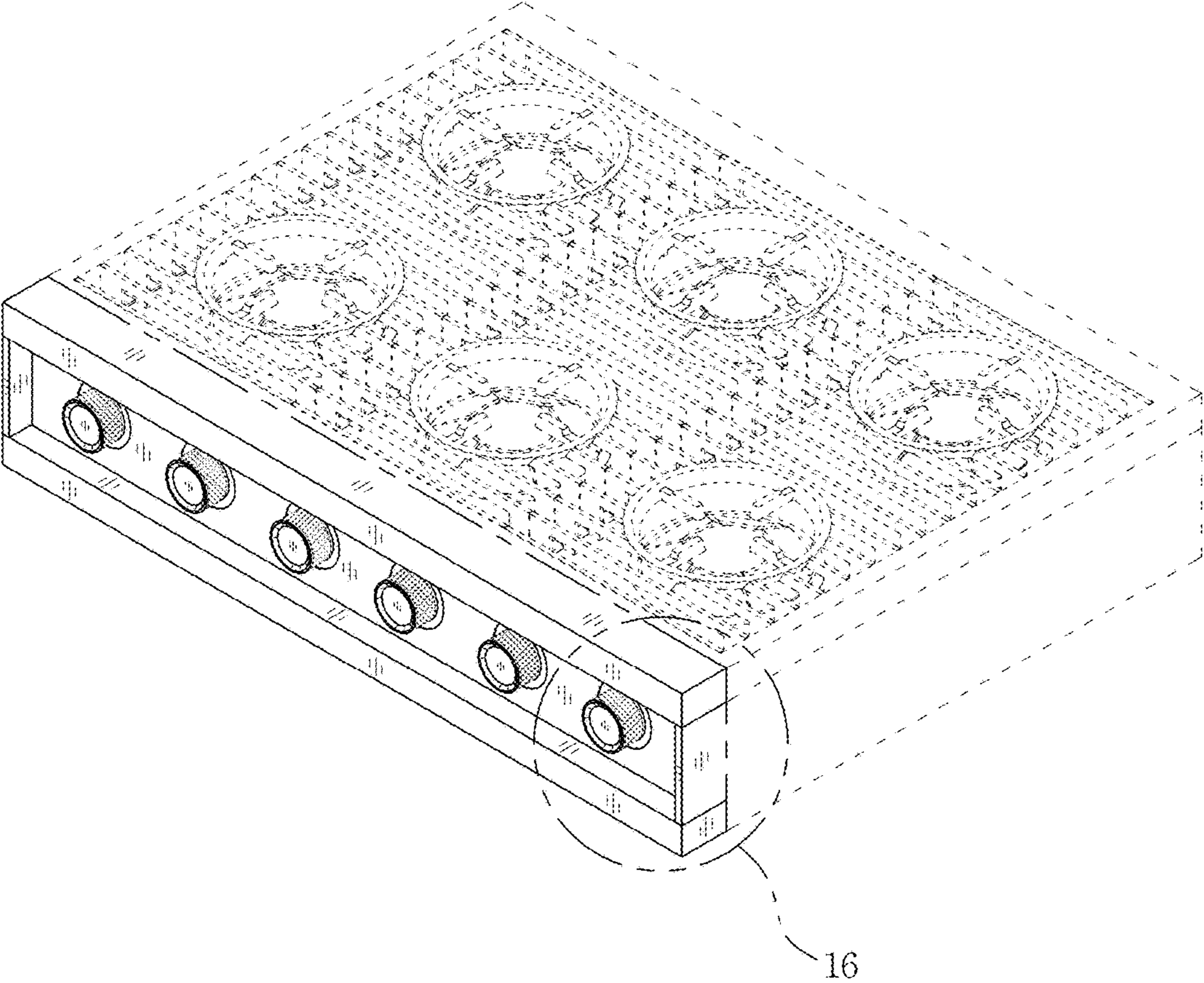


FIG. 10

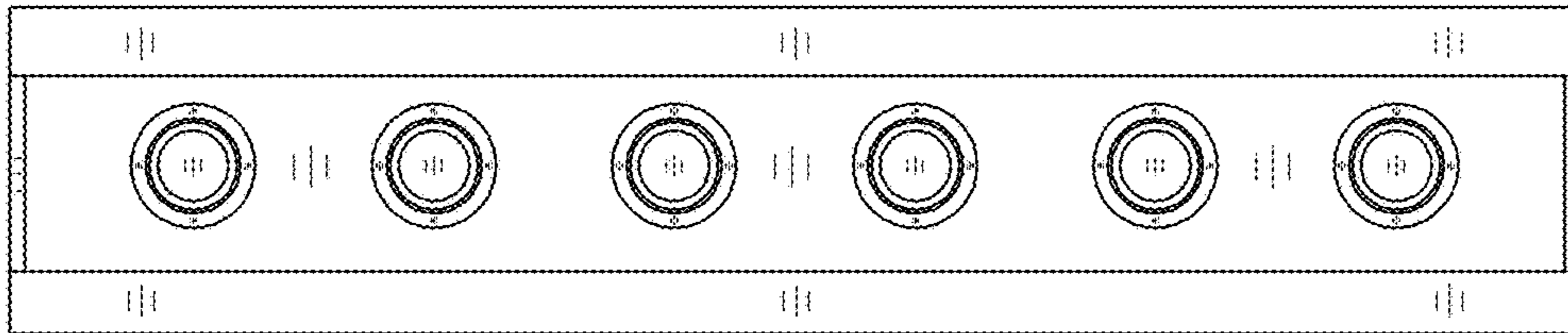


FIG. 11

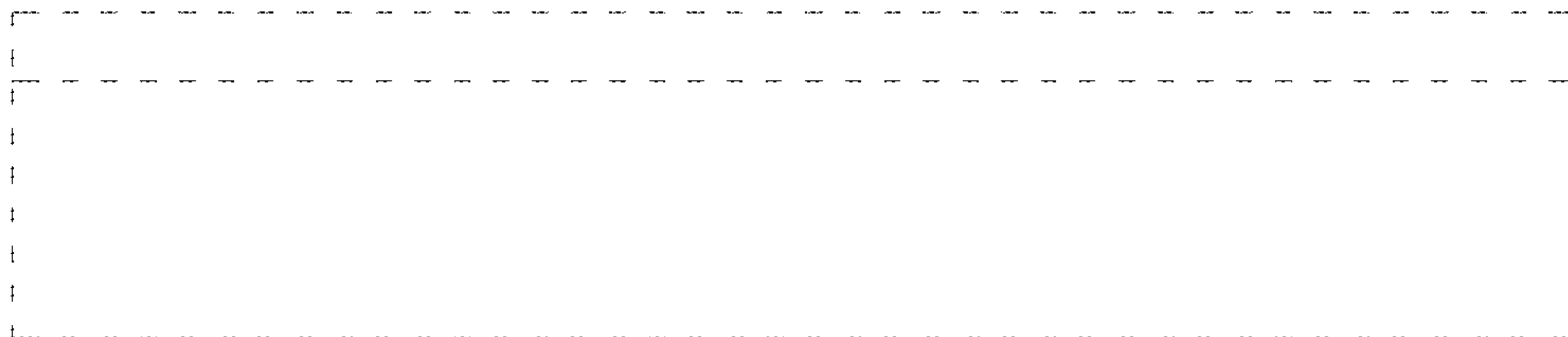


FIG. 12

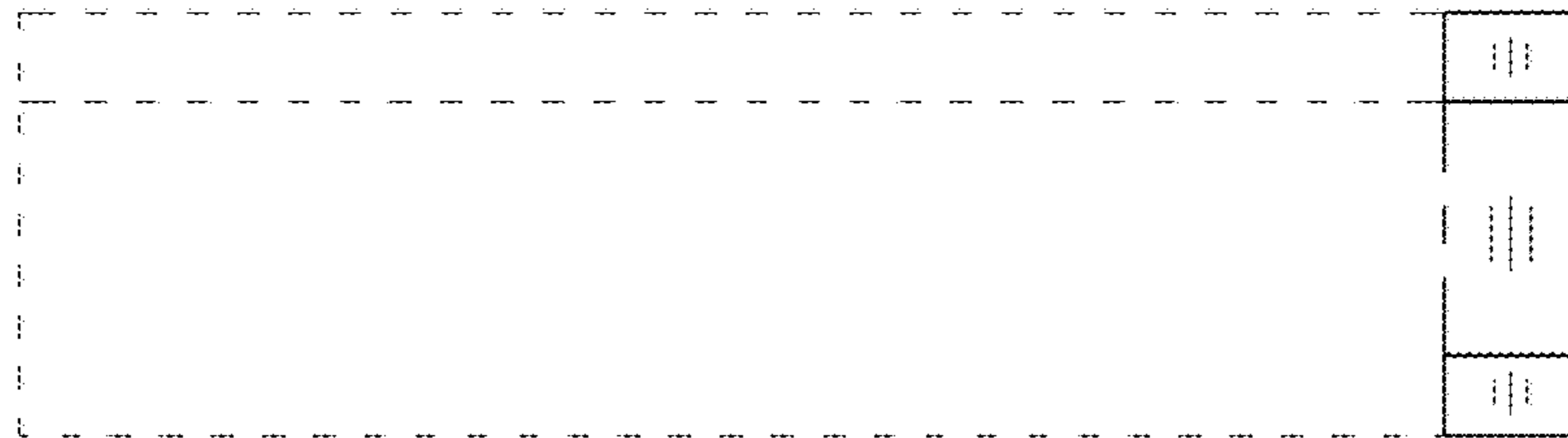


FIG. 13



FIG. 14

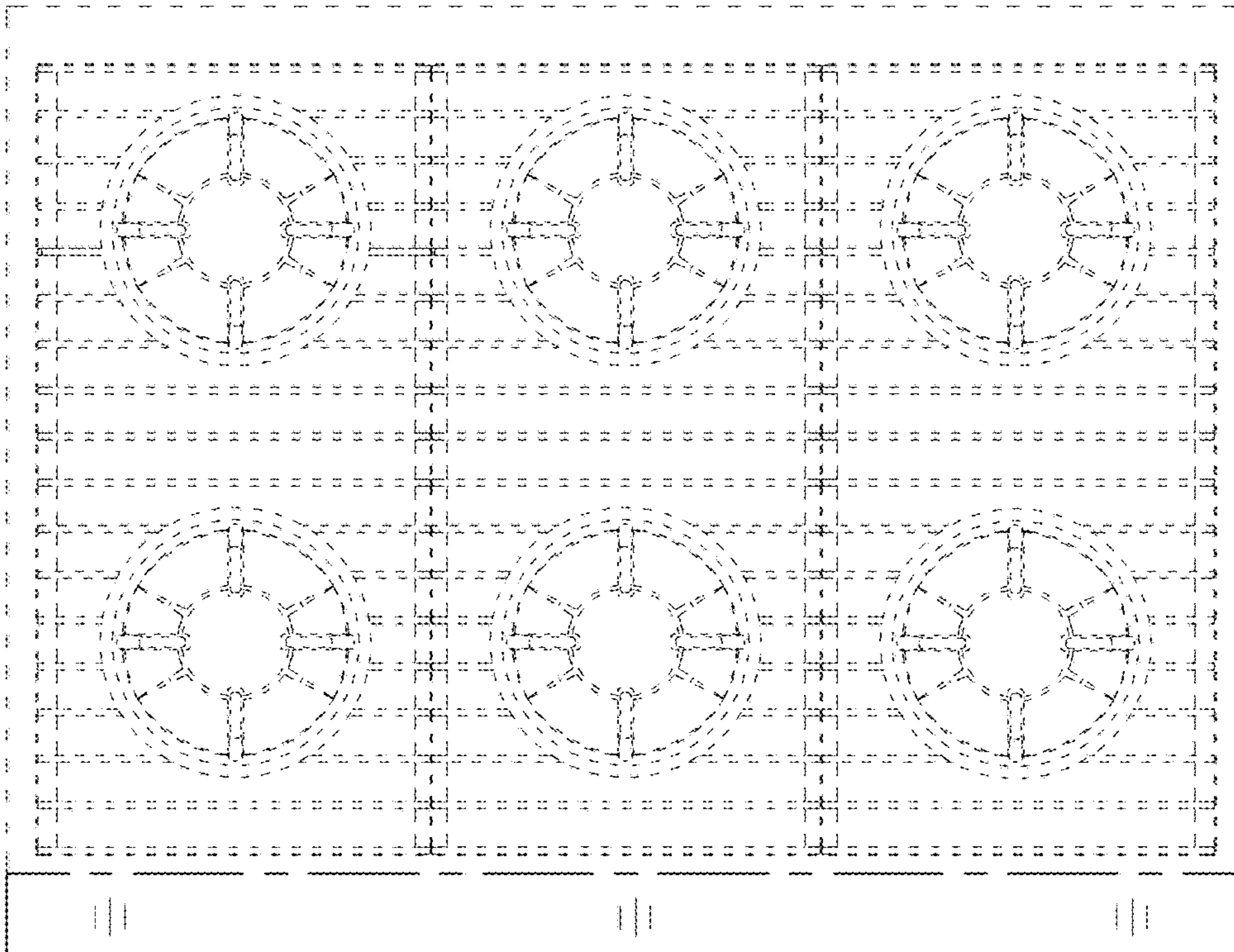


FIG. 15

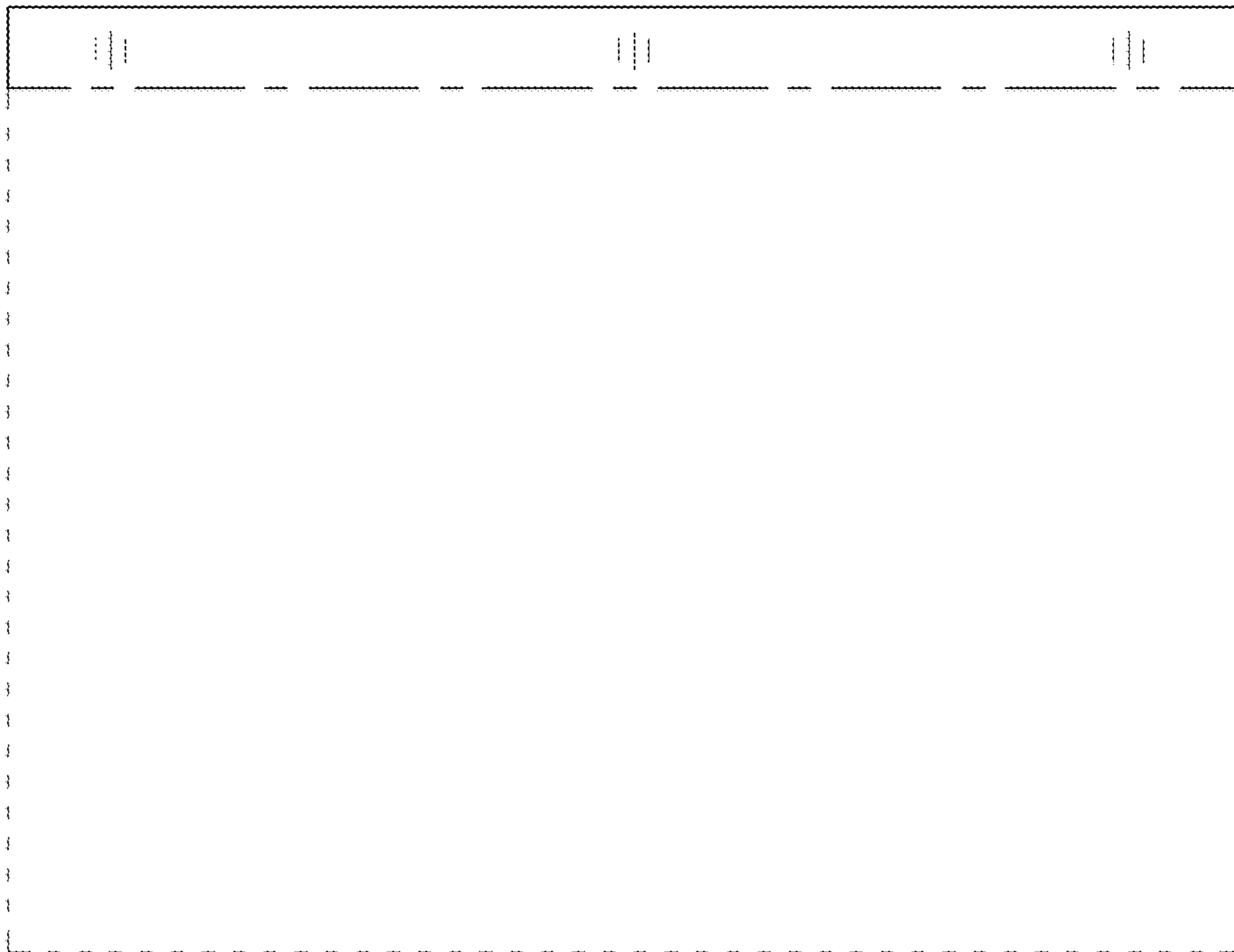


FIG. 16

