



US00D821798S

(12) **United States Design Patent**
Jeon et al.

(10) **Patent No.:** **US D821,798 S**
(45) **Date of Patent:** **** Jul. 3, 2018**

(54) **ELECTRIC OVEN**

OTHER PUBLICATIONS

(71) Applicant: **Samsung Electronics Co., Ltd.**,
Suwon-si (KR)

A Savory Feast; "Pesto and Goat Cheese Stuffed Chicken"; Published: Jun. 18, 2015; URL Accessed: <http://www.asavoryfeast.com/pesto-and-goat-cheese-stuffed-chicken/>; 11 Pages.

(72) Inventors: **Jongsu Jeon**, Seongnam-si (KR);
Jaejun Kim, Seoul (KR); **Hyeongju Seo**, Gangdong-gu (KR); **Hwanwoong Choi**, Seoul (KR)

Primary Examiner — Freda S Nunn

(74) *Attorney, Agent, or Firm* — Cantor Colburn LLP

(73) Assignee: **SAMSUNG ELECTRONICS CO., LTD.**, Gyeonggi-Do (KR)

(57) **CLAIM**

The ornamental design for an electric oven, as shown and described.

(**) Term: **15 Years**

DESCRIPTION

(21) Appl. No.: **29/601,684**

(22) Filed: **Apr. 25, 2017**

(30) **Foreign Application Priority Data**

Oct. 26, 2016 (KR) 30-2016-0051423

(51) **LOC (11) Cl.** **07-02**

(52) **U.S. Cl.**
USPC **D7/339**

(58) **Field of Classification Search**
USPC D7/339-341, 344, 346-349, 352, 362,
D7/363, 402, 405-409; D8/311, 312;
99/324, 325, 330-339, 342, 403
See application file for complete search history.

(56) **References Cited**

U.S. PATENT DOCUMENTS

D164,926 S * 10/1951 Hitchcock D7/340
3,143,638 A * 8/1964 Scott F24C 7/06
126/19 R

(Continued)

FOREIGN PATENT DOCUMENTS

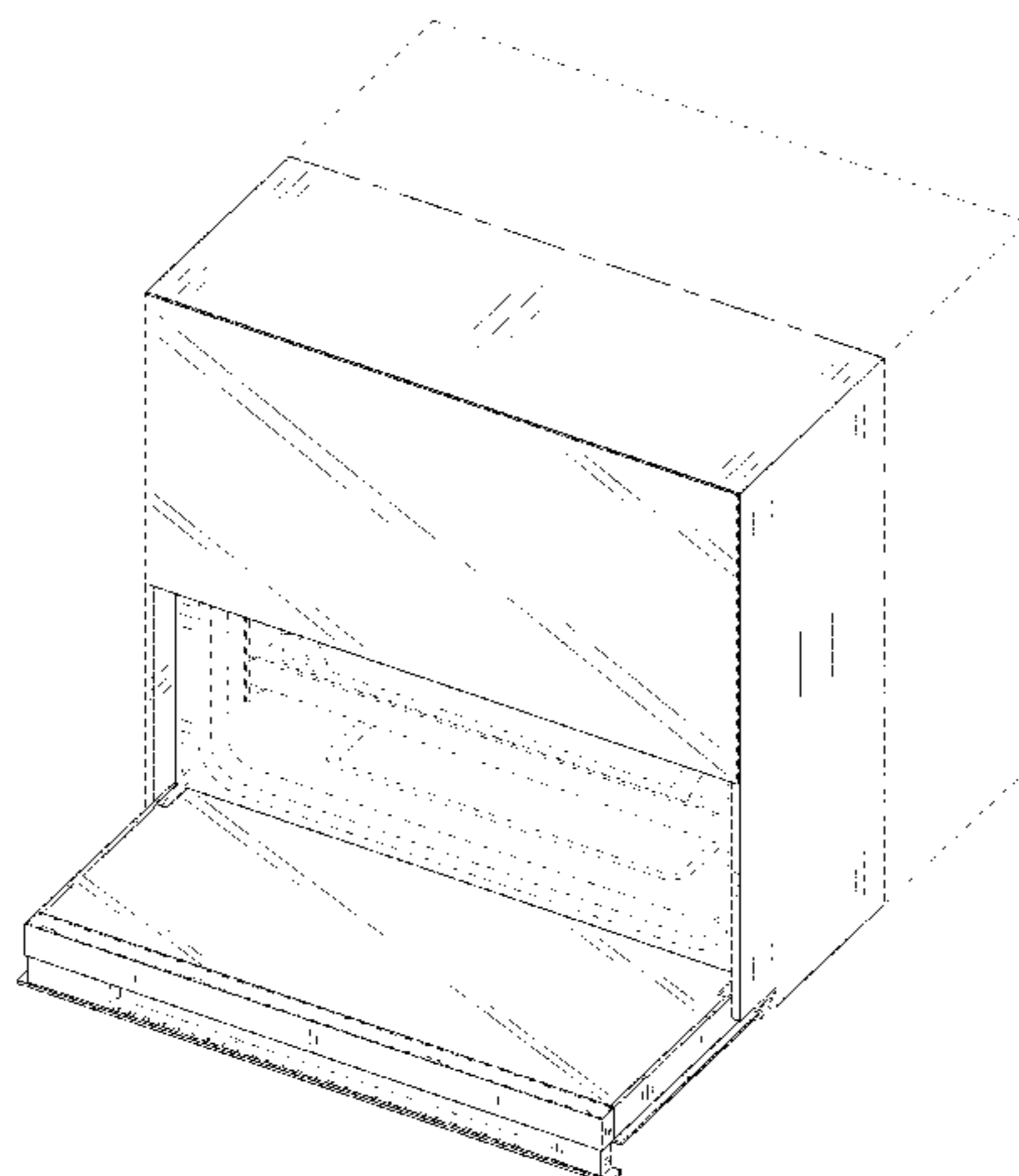
EM 0006217270001 11/2006
JP D1257236 S 12/2005

(Continued)

FIG. 1 is a perspective view of an electric oven, showing our new design;
FIG. 2 is a front view thereof;
FIG. 3 is a rear view thereof;
FIG. 4 is a left side view thereof;
FIG. 5 is a right side view thereof;
FIG. 6 is a top view thereof;
FIG. 7 is a bottom view thereof;
FIG. 8 is a perspective view of the electric oven shown in an alternate position in which the handle of the lower door is pulled out;
FIG. 9 is a front view thereof;
FIG. 10 is a rear view thereof;
FIG. 11 is a left side view thereof;
FIG. 12 is a right side view thereof;
FIG. 13 is a top view thereof;
FIG. 14 is a bottom view thereof;
FIG. 15 is a perspective view of the electric oven shown in another alternate position in which the lower door is opened;
FIG. 16 is a front view thereof;
FIG. 17 is a rear view thereof;
FIG. 18 is a left side view thereof;
FIG. 19 is a right side view thereof;
FIG. 20 is a top view thereof; and,
FIG. 21 is a bottom view thereof.

The dashed broken lines illustrating portions of the electric oven form no part of the claimed design. The long-dash,

(Continued)



short-dash broken lines illustrate a boundary of the claimed design and form no part of the claimed design.

1 Claim, 21 Drawing Sheets

(56)

References Cited

U.S. PATENT DOCUMENTS

3,924,601 A * 12/1975 Nuss F24C 15/006
126/21 R
D341,989 S * 12/1993 Wright D7/349
6,561,180 B1 * 5/2003 Austin F24C 15/02
126/190
D555,975 S * 11/2007 Pino D7/405
D560,958 S * 2/2008 Shin D7/348
D572,528 S * 7/2008 Crookshanks F24C 15/006
D7/405
D611,294 S * 3/2010 Busalt D7/349
D612,209 S * 3/2010 Crookshanks D7/405
D645,702 S * 9/2011 Baacke D7/405
8,028,619 B2 * 10/2011 Lee F24C 15/006
126/193
D709,726 S * 7/2014 Borjesson D7/349
D755,007 S * 5/2016 Lee D7/405
9,441,841 B2 * 9/2016 Kamii F24C 7/02

FOREIGN PATENT DOCUMENTS

JP D1275404 S 6/2006
KR 300577576 S 11/2010

* cited by examiner

FIG. 1

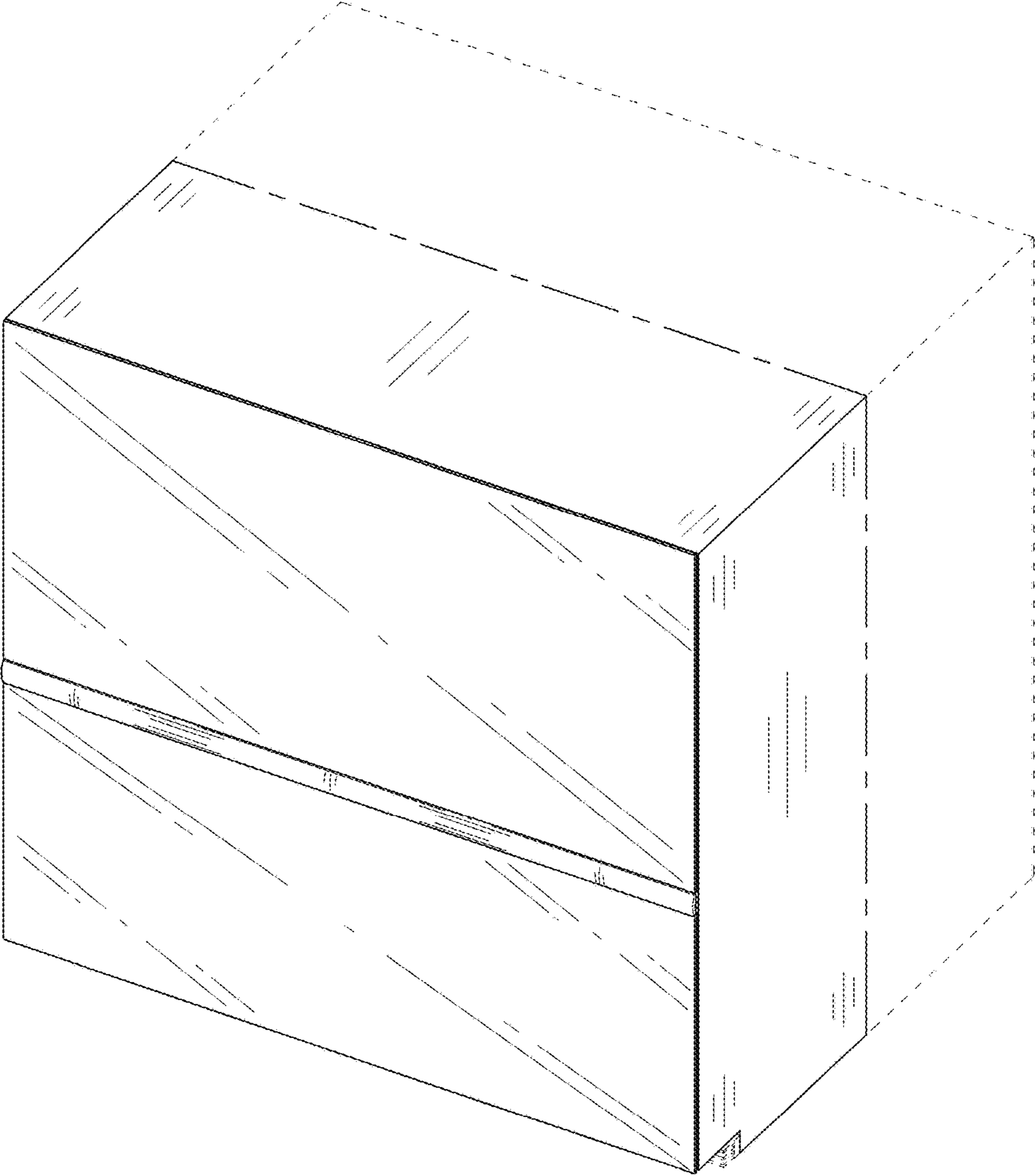


FIG. 2

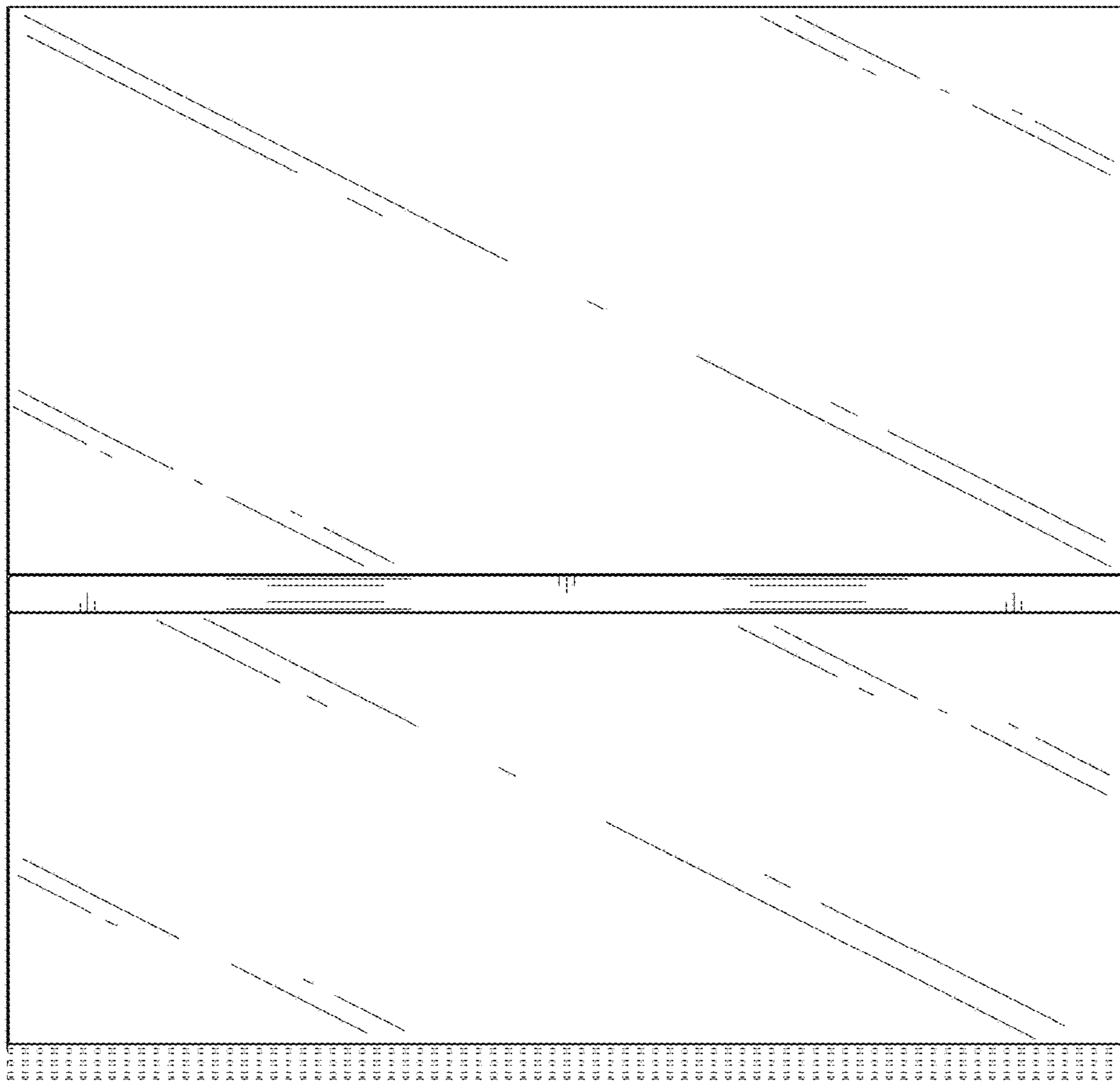


FIG. 3

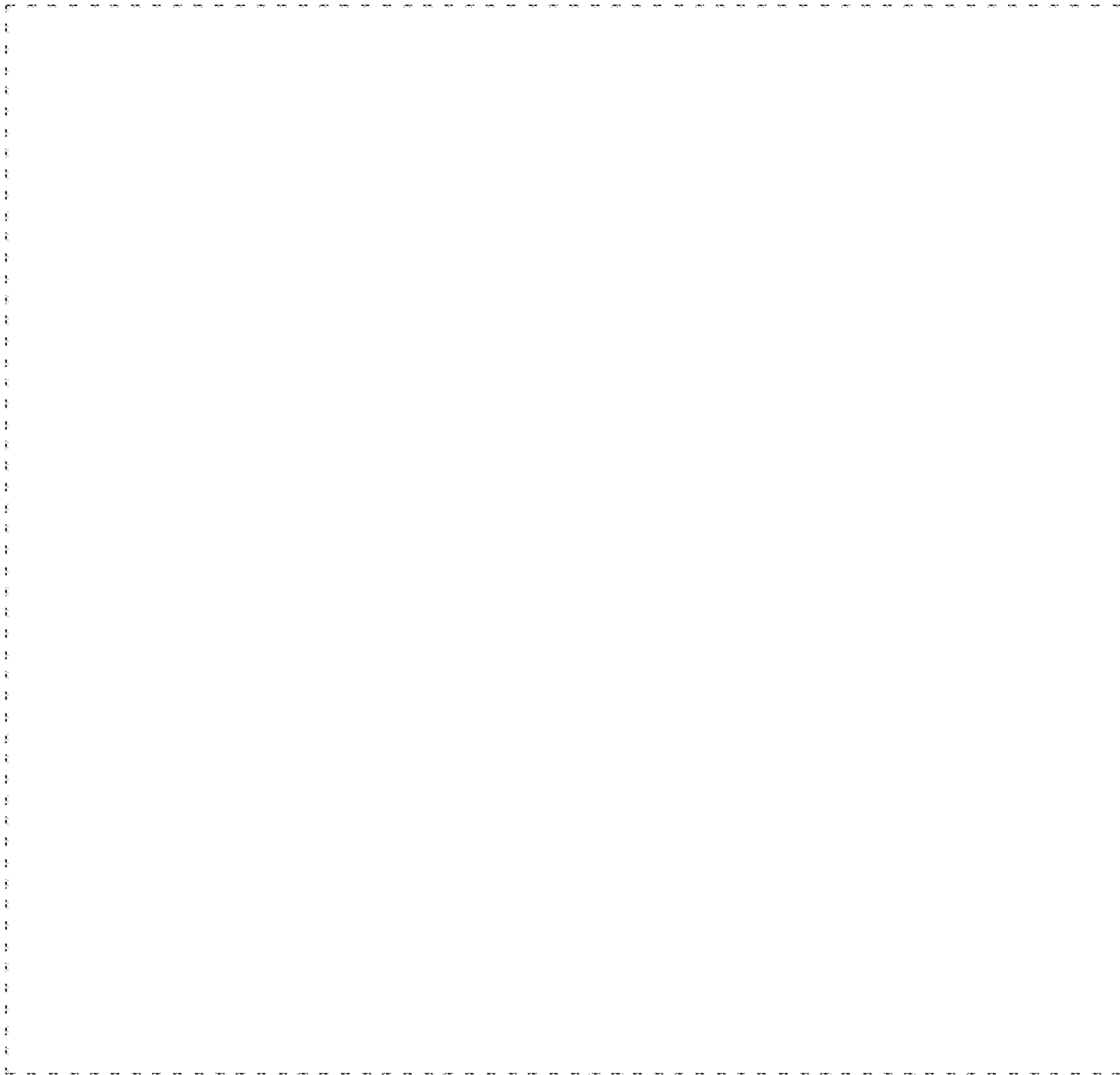


FIG. 4

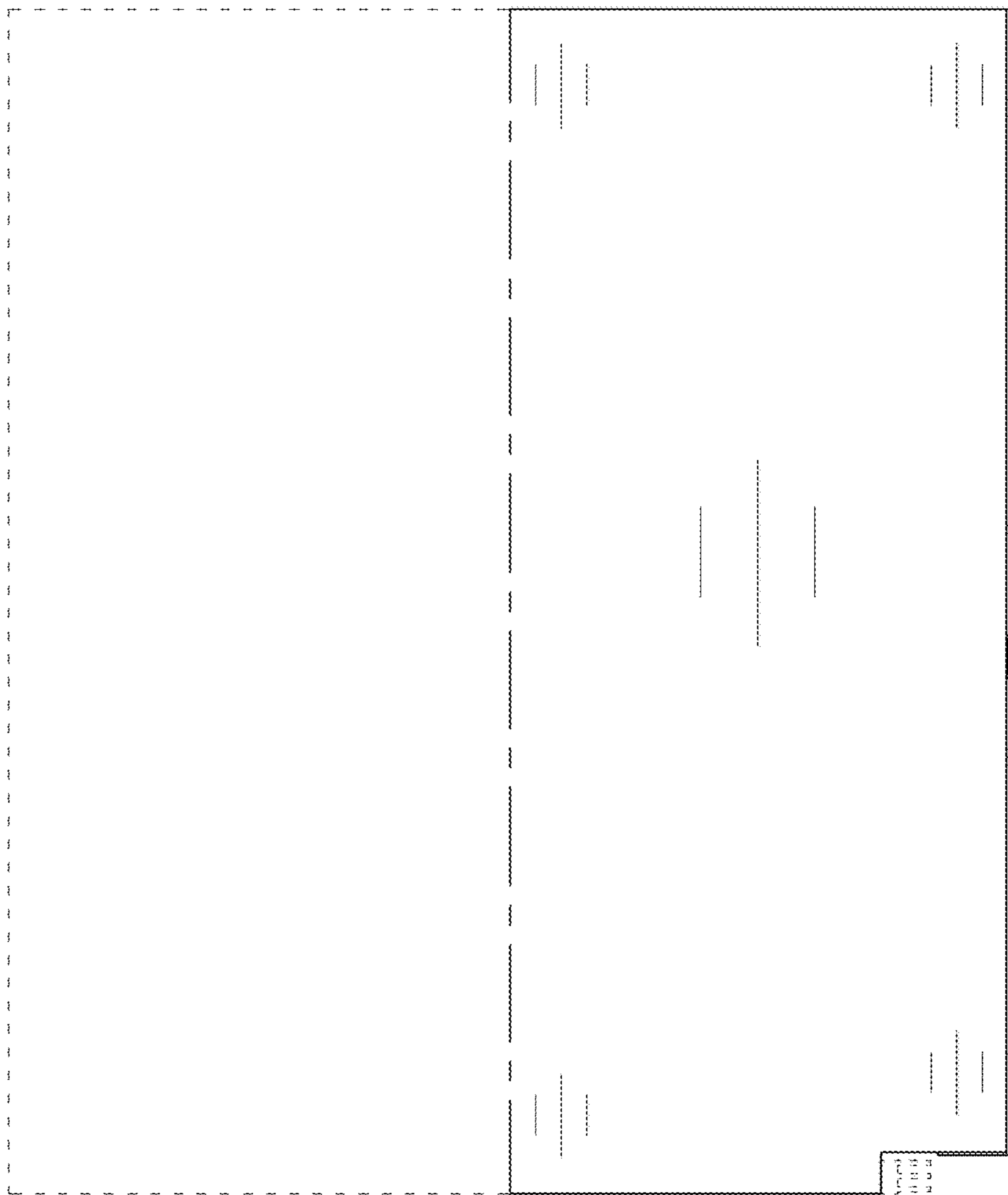


FIG. 5

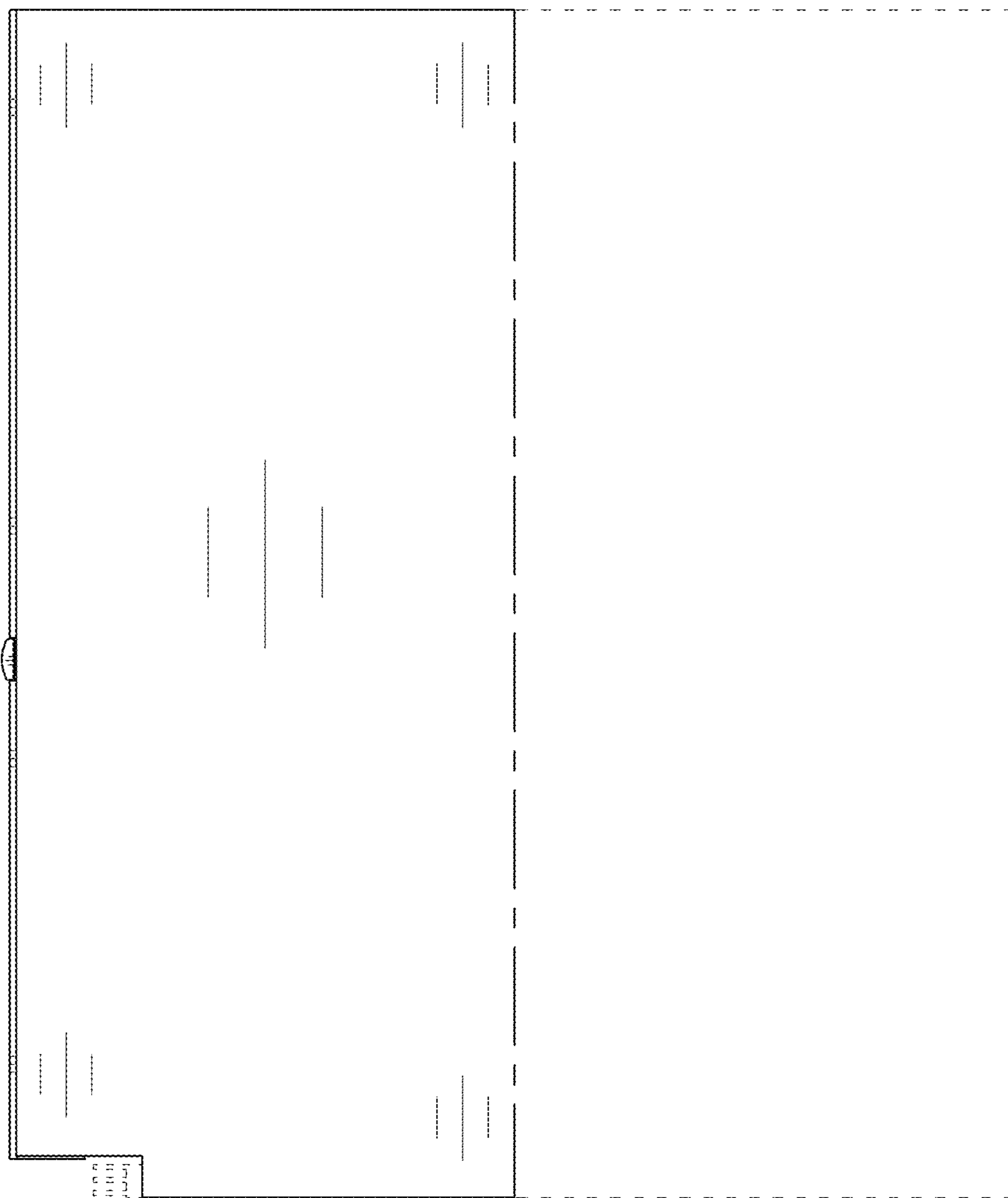


FIG. 6



FIG. 7

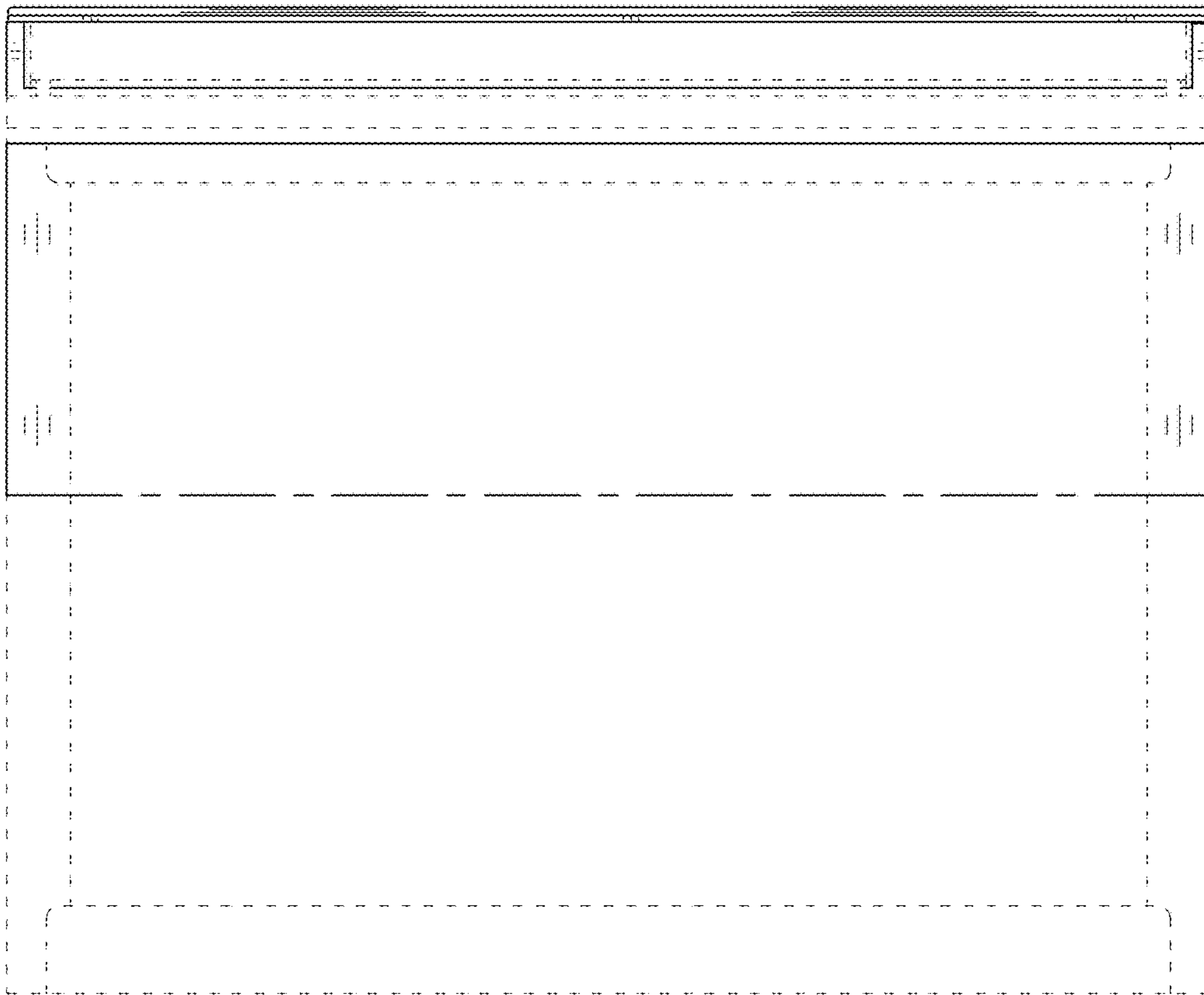


FIG. 8

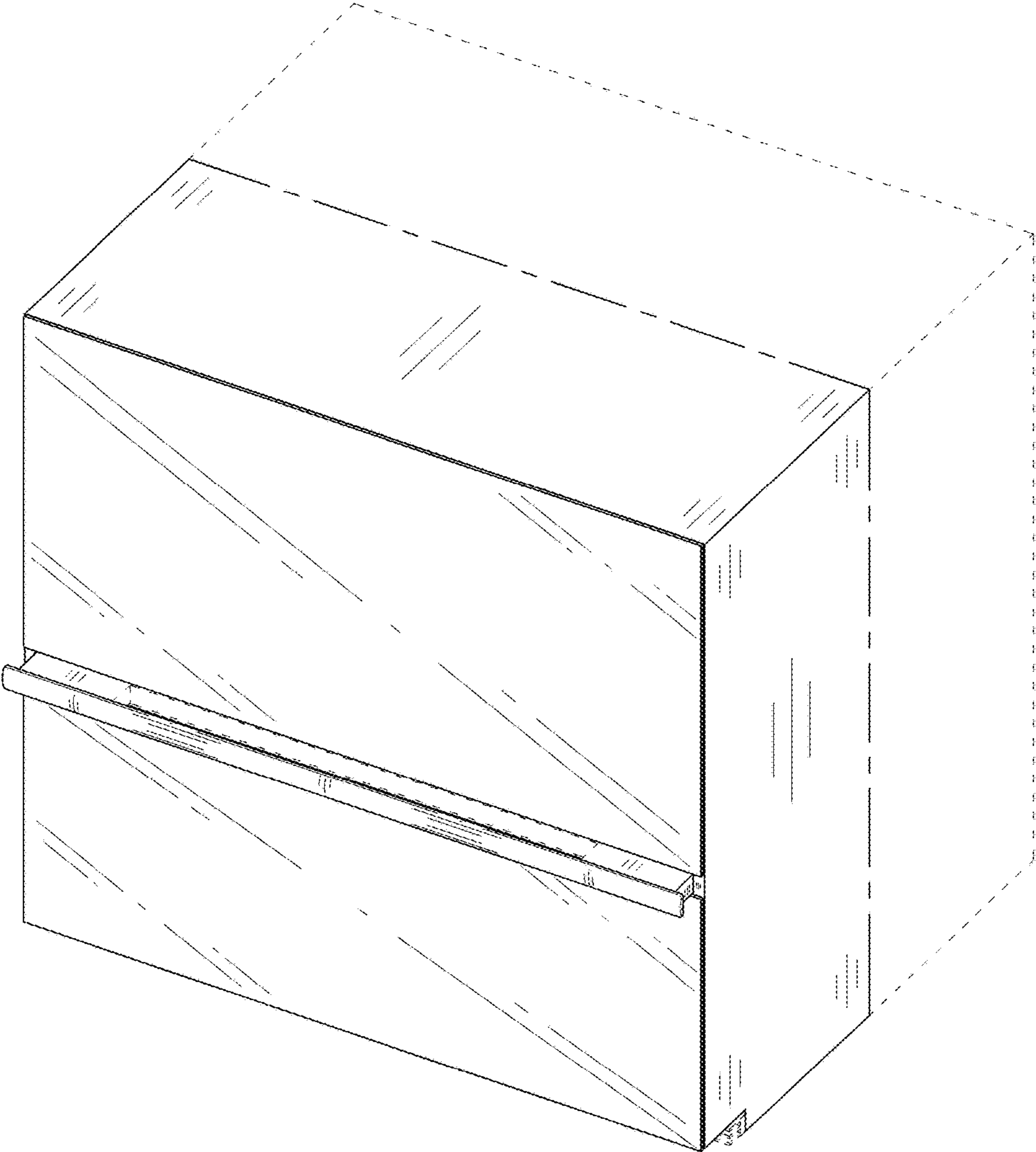


FIG. 9

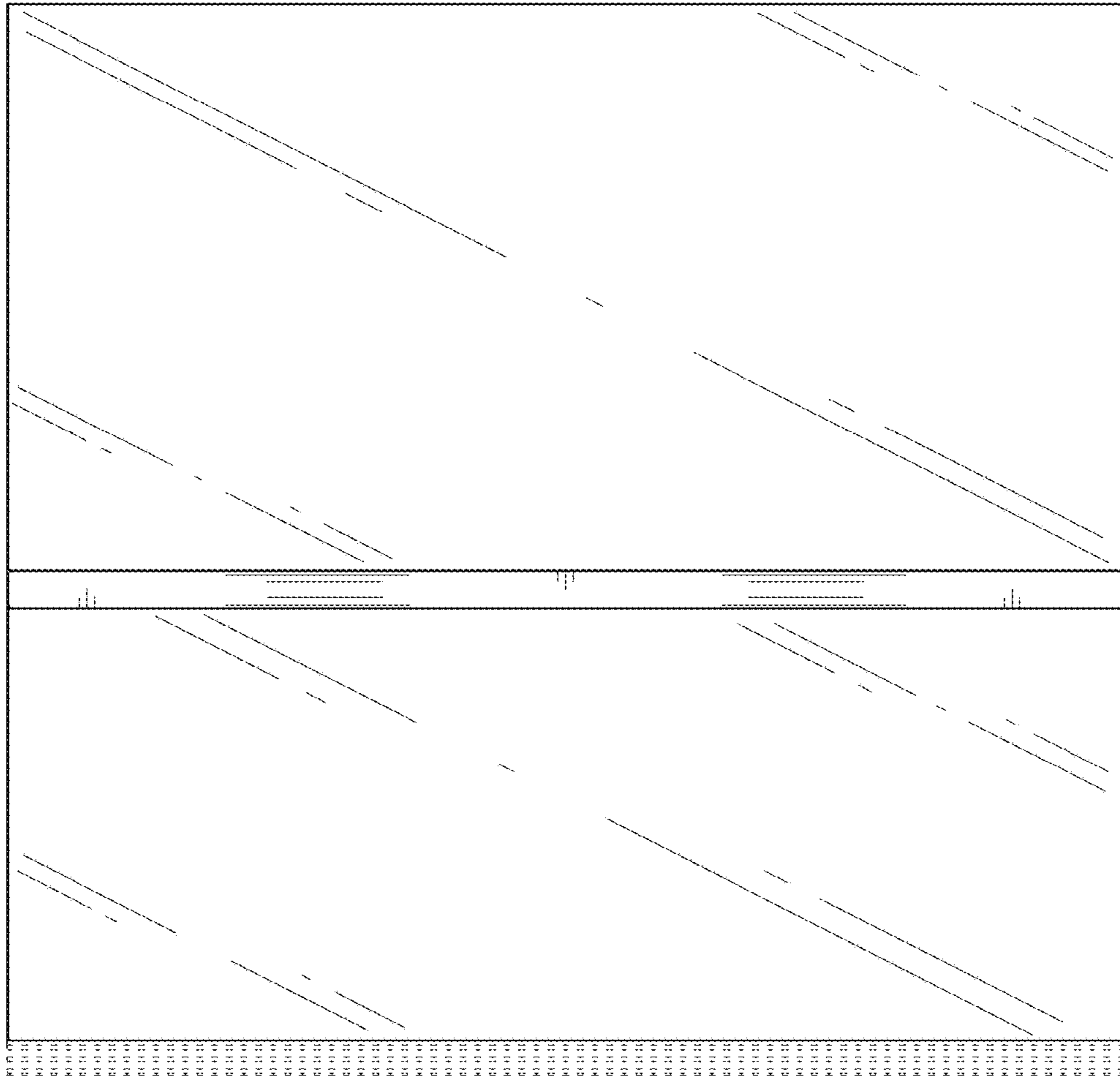


FIG. 10

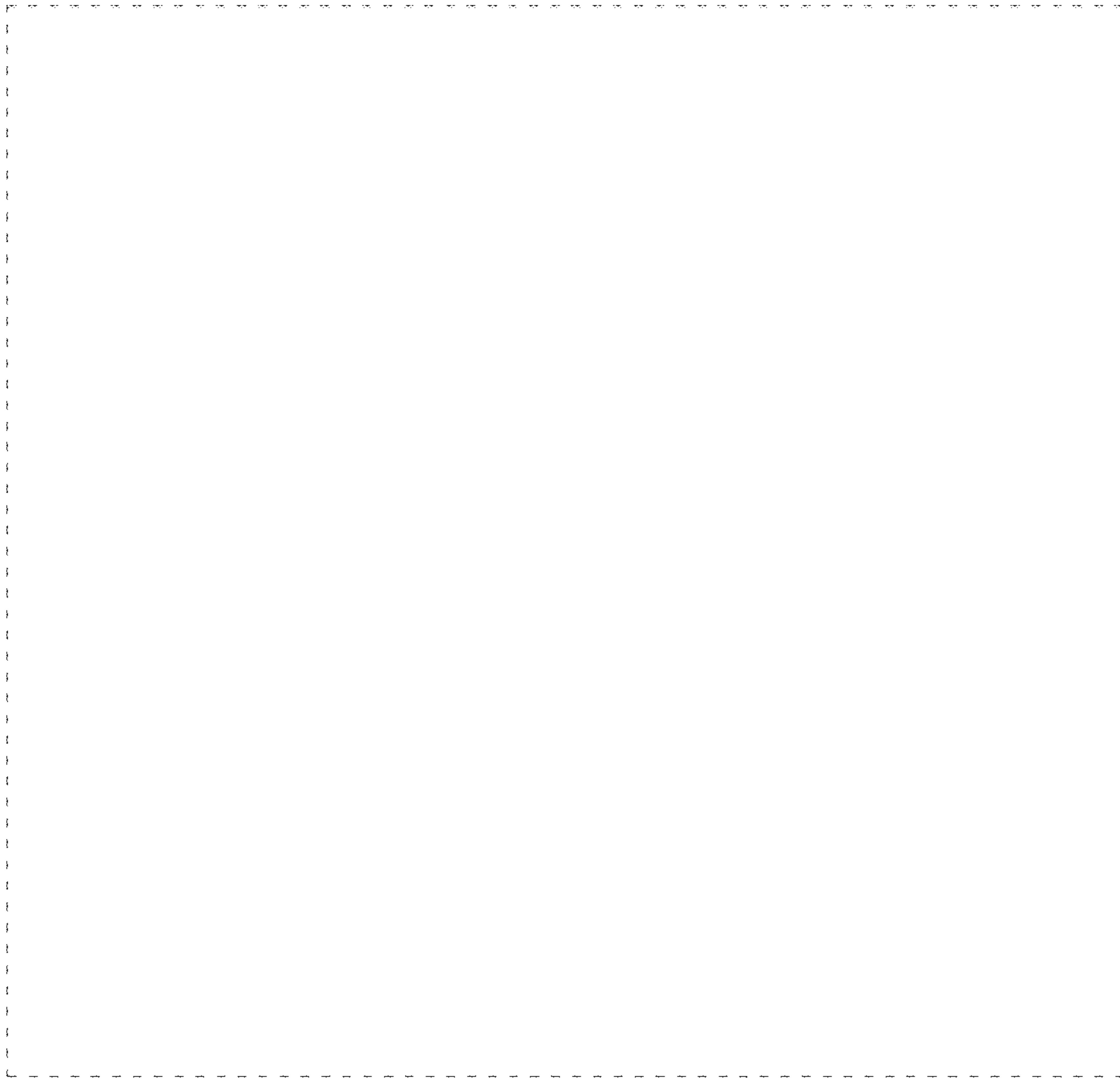


FIG. 11

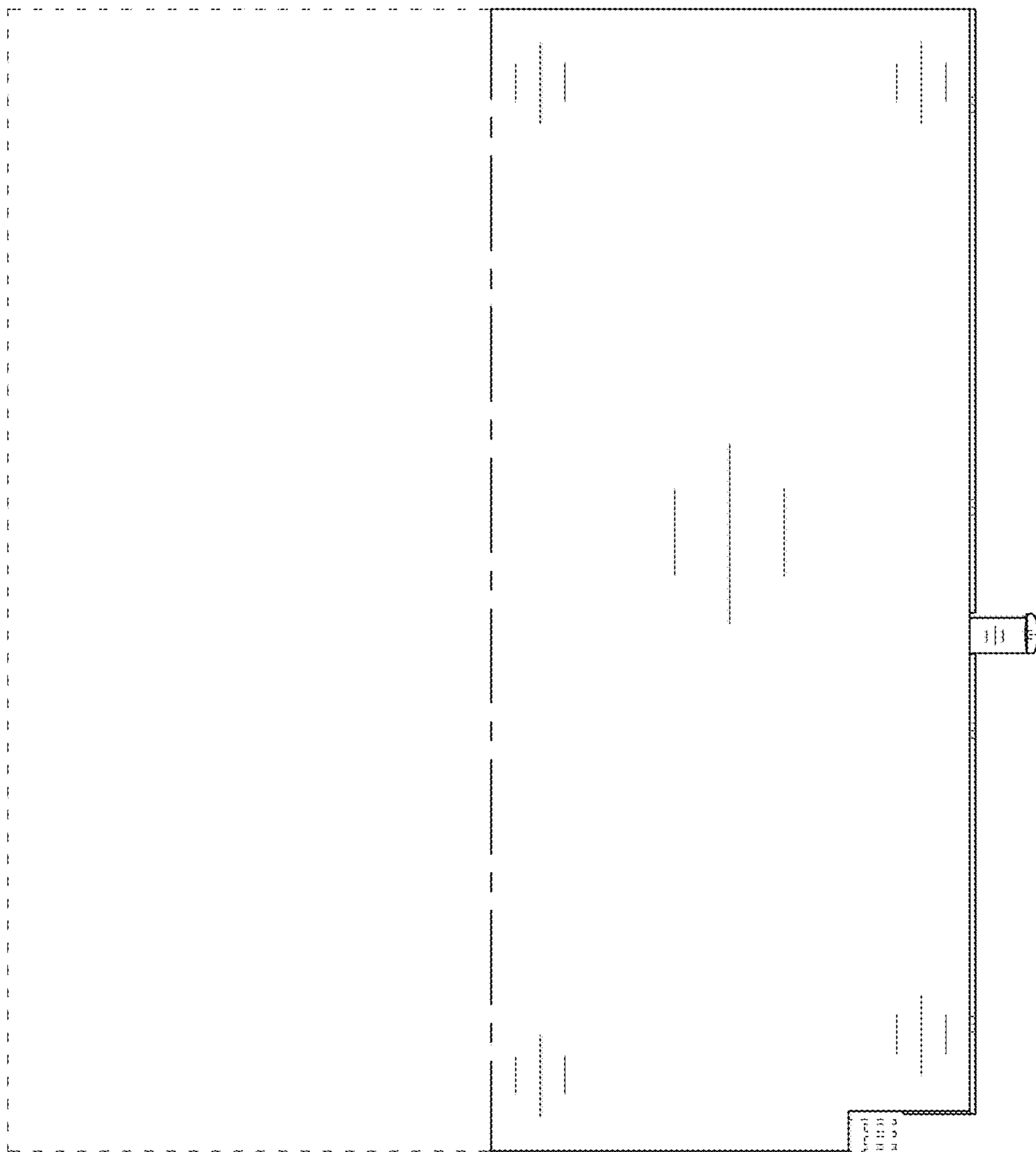


FIG. 12

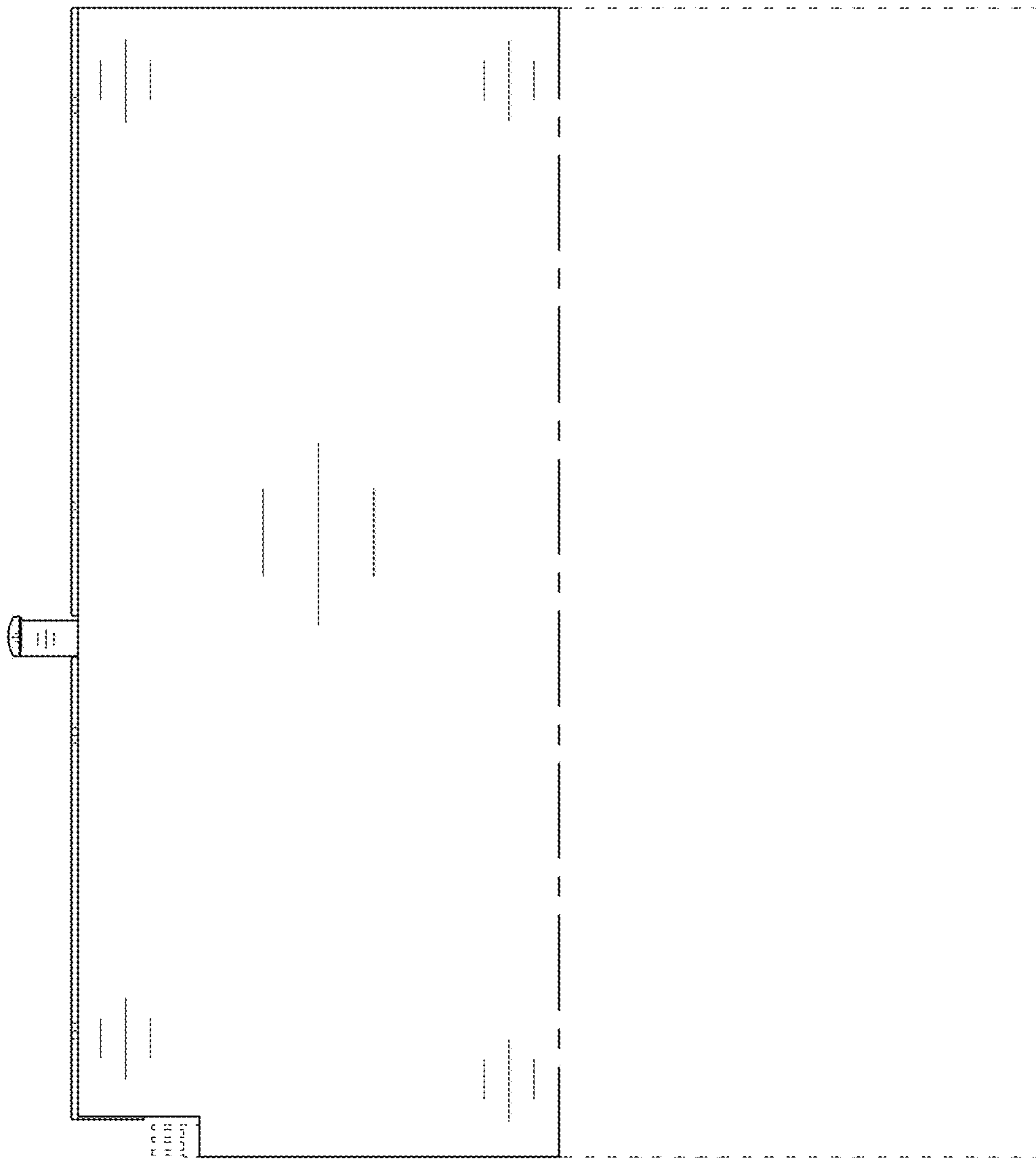


FIG. 13

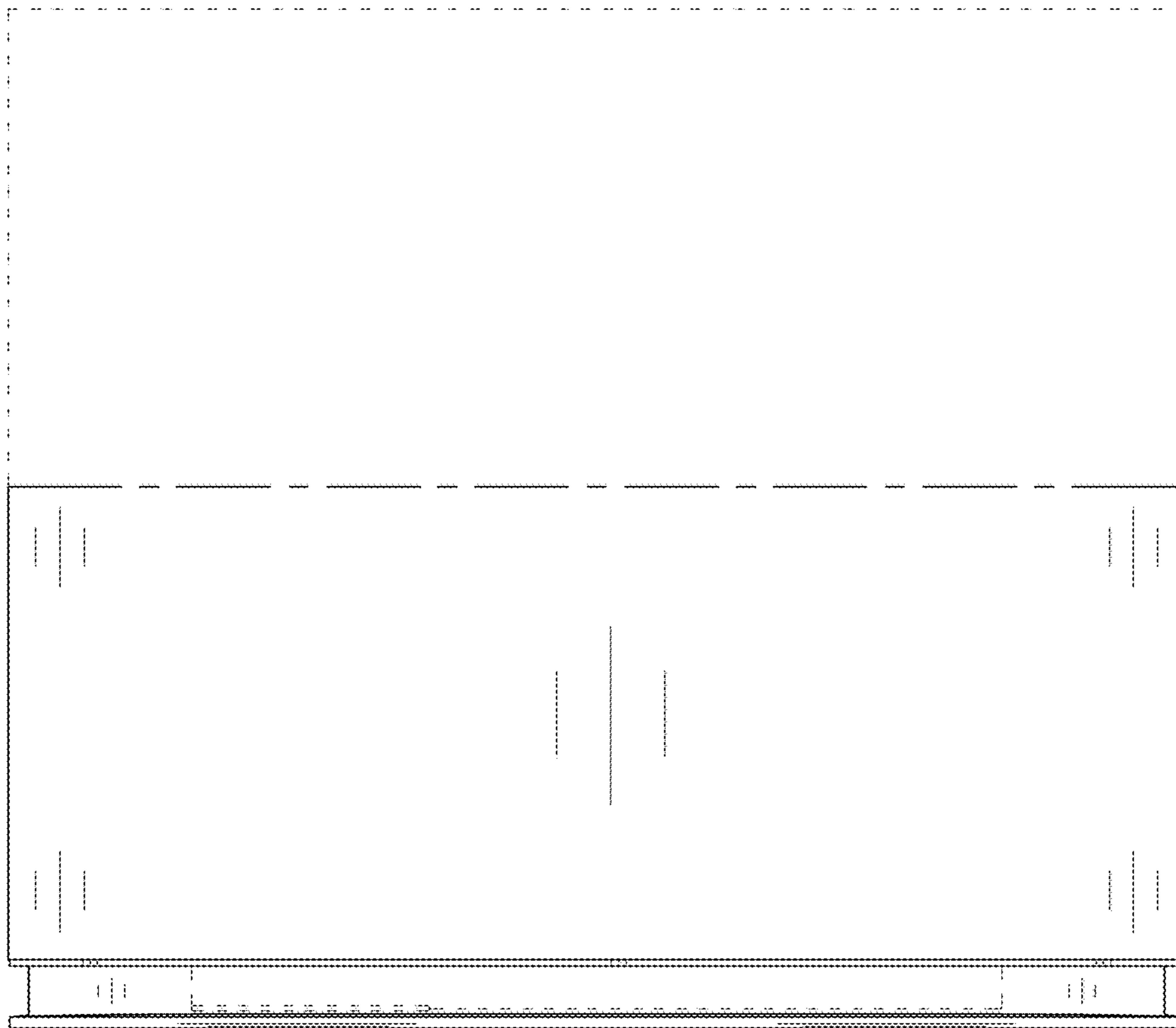


FIG. 14



FIG. 15

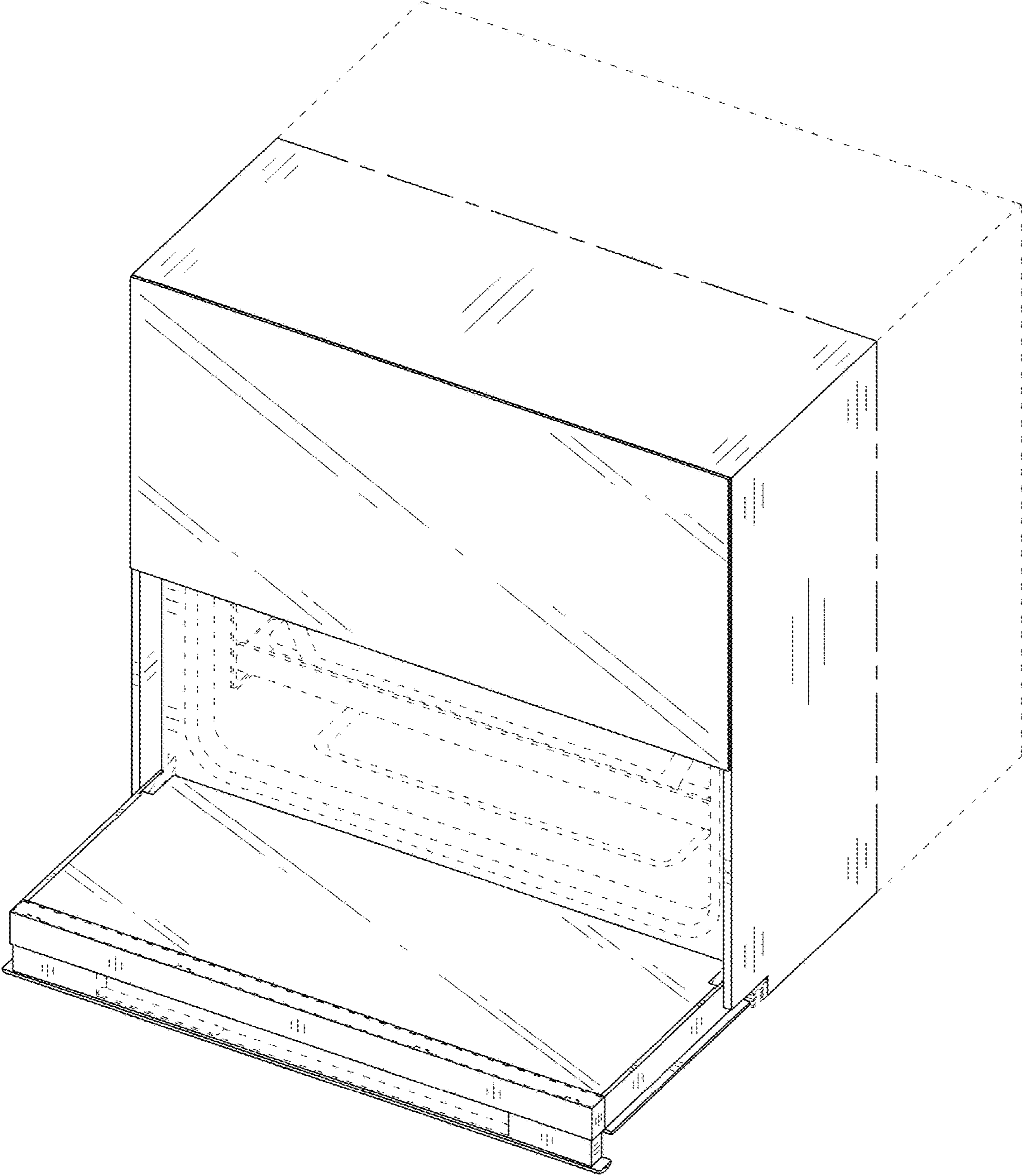


FIG. 16

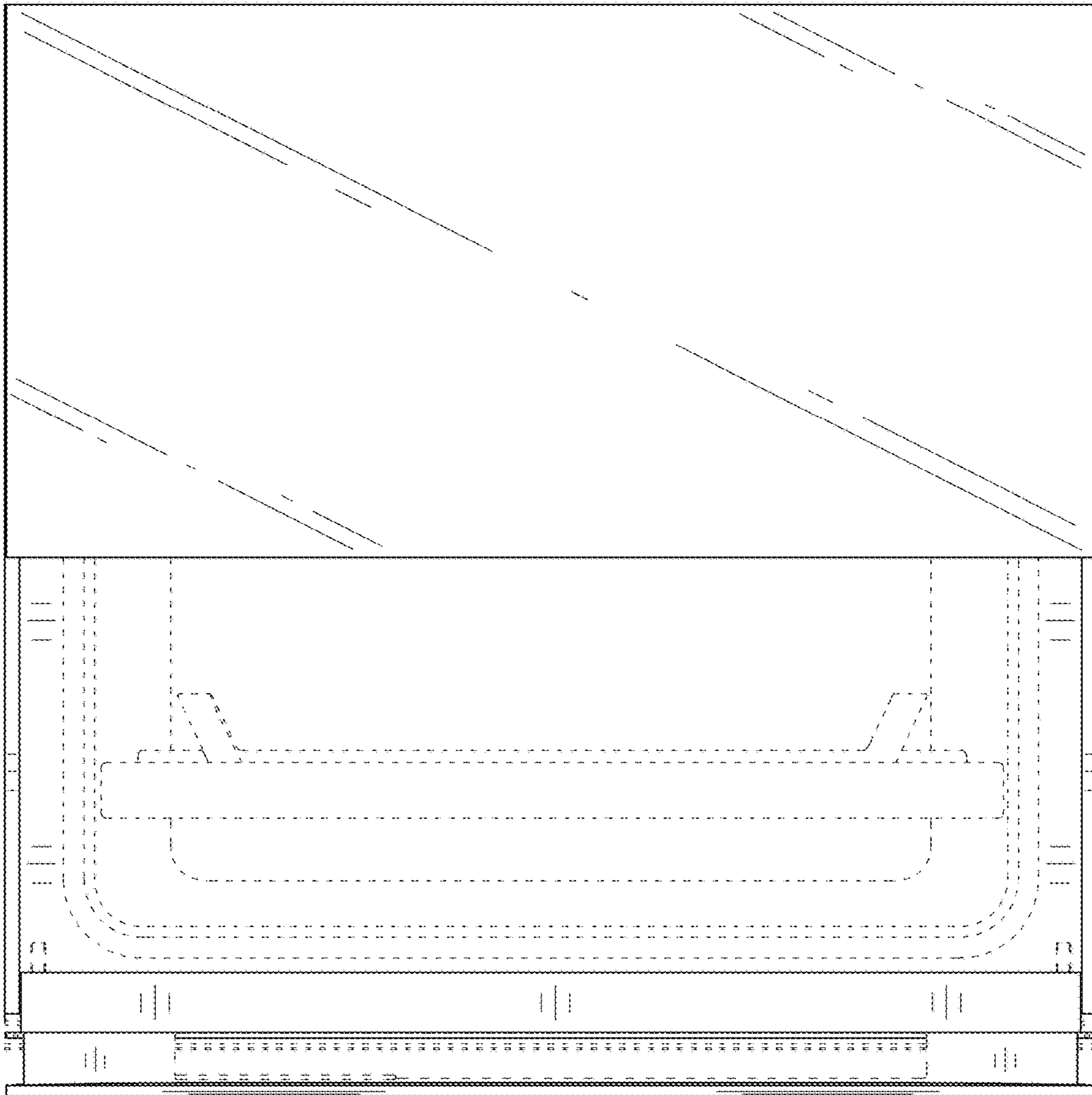


FIG. 17

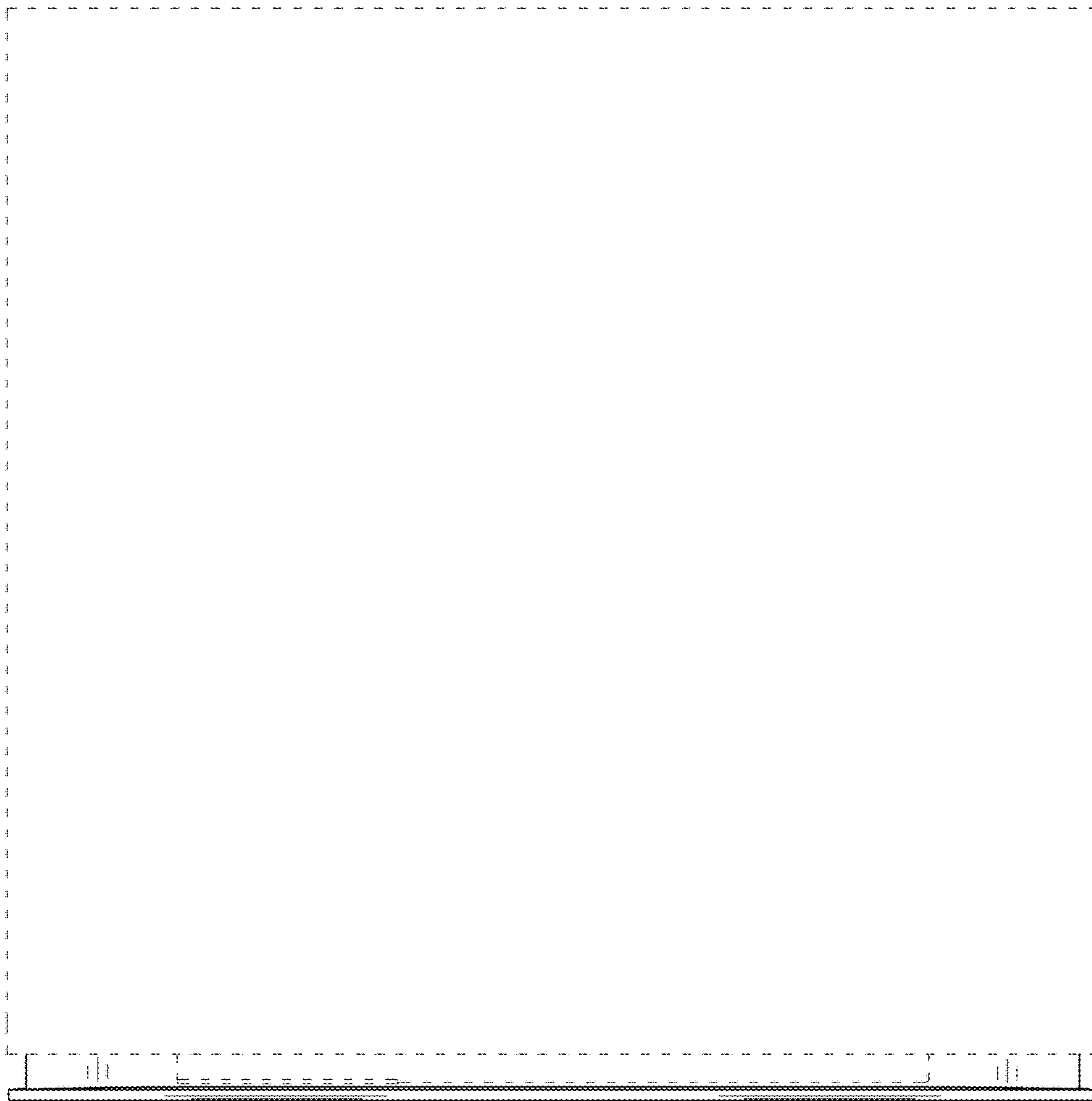


FIG. 18

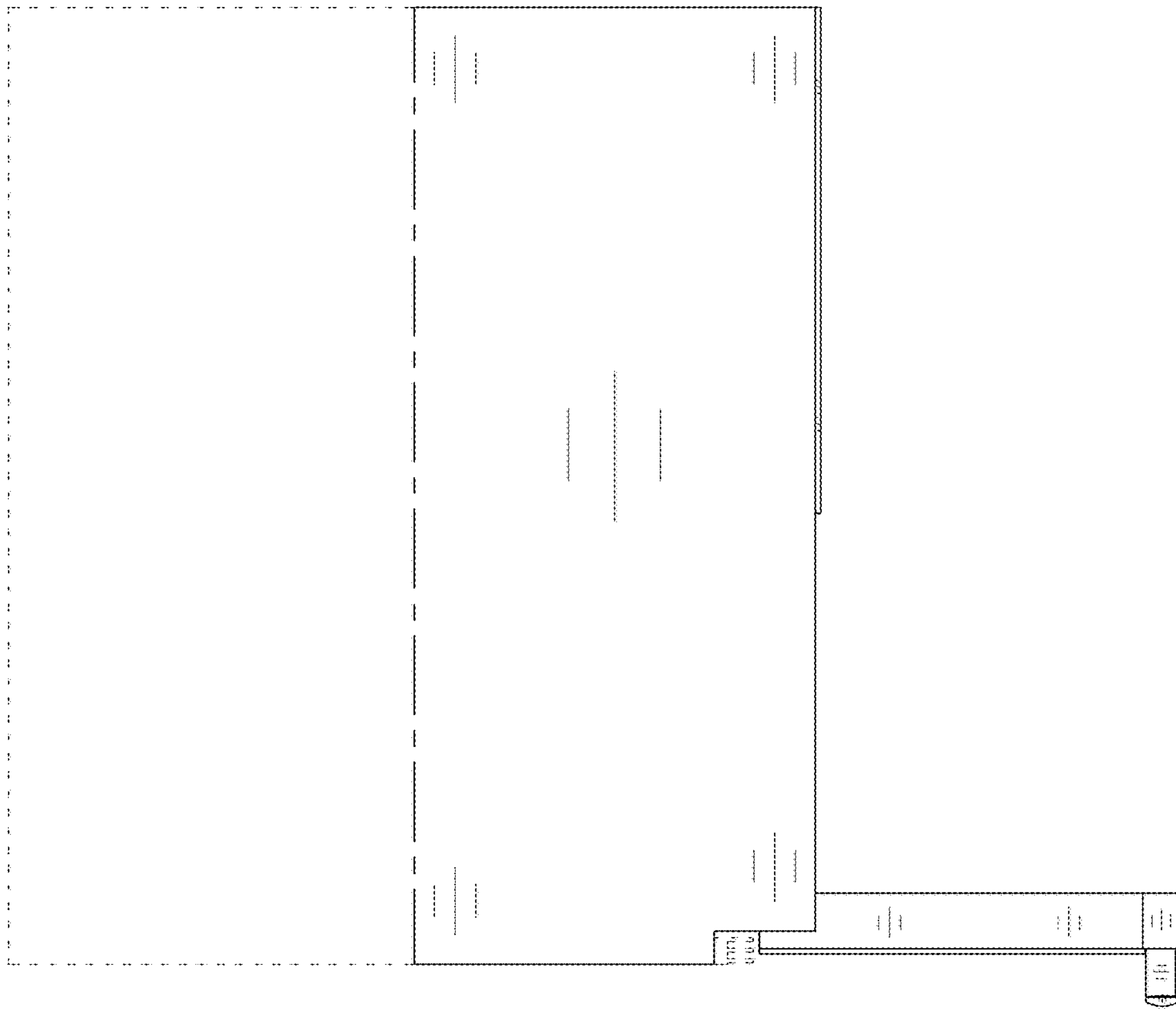


FIG. 19

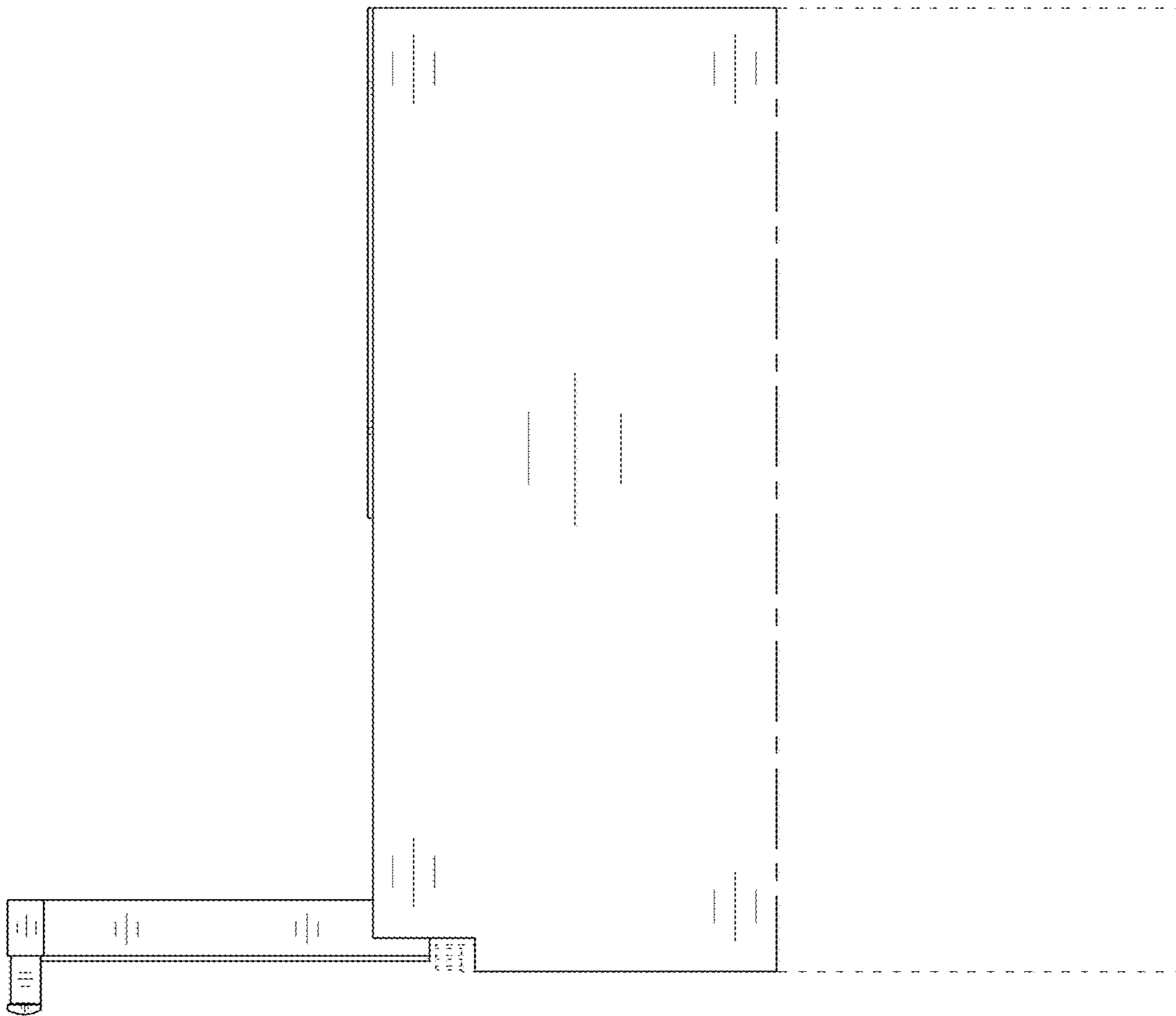


FIG. 20

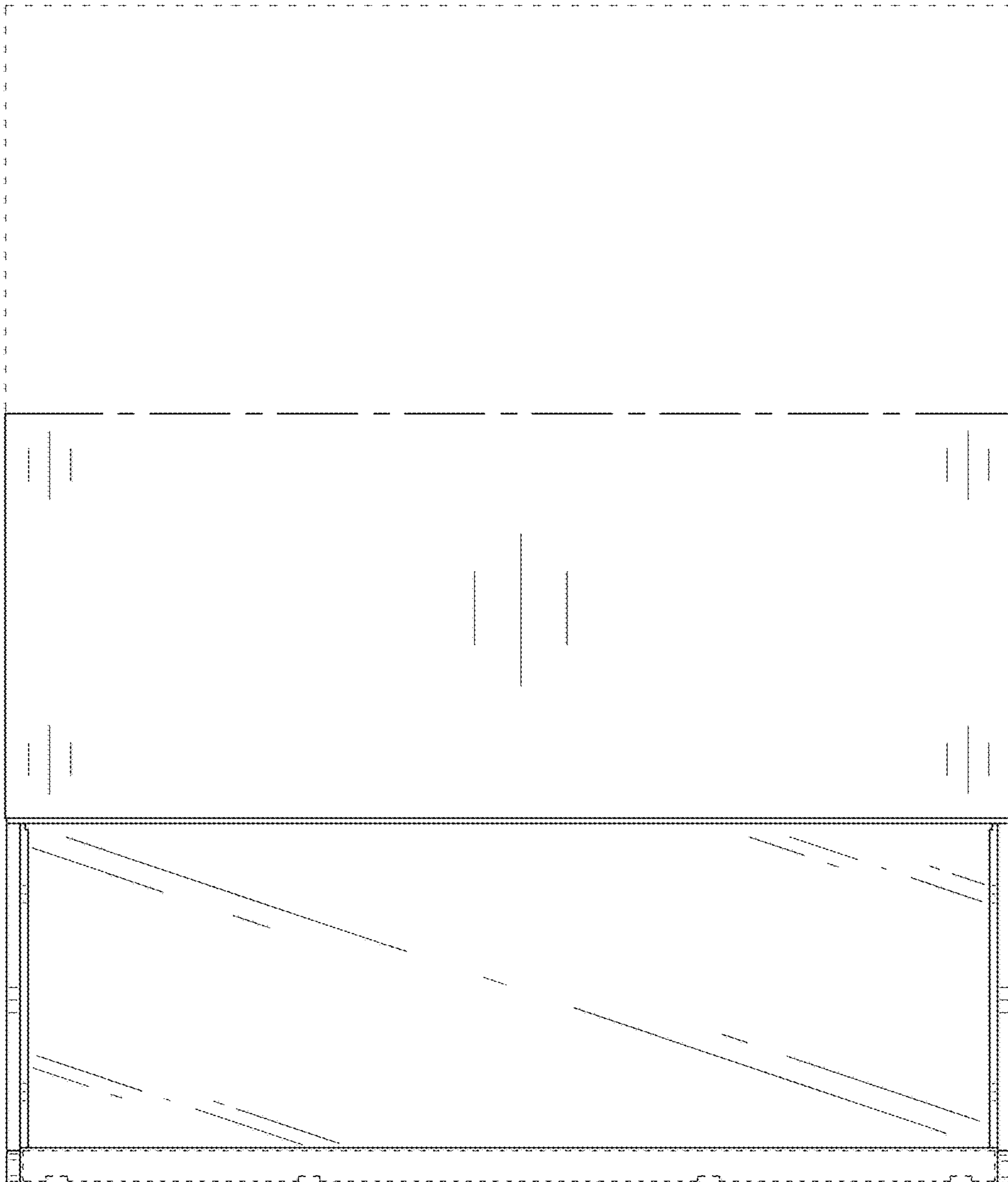


FIG. 21

