



US00D821795S

(12) **United States Design Patent**
Horimoto

(10) **Patent No.:** **US D821,795 S**

(45) **Date of Patent:** **** Jul. 3, 2018**

(54) **DRINK DISPENSER**

(71) Applicant: **ZOJIRUSHI CORPORATION**, Osaka (JP)

(72) Inventor: **Mitsunori Horimoto**, Osaka (JP)

(73) Assignee: **ZOJIRUSHI CORPORATION**, Osaka (JP)

(**) Term: **15 Years**

(21) Appl. No.: **29/575,063**

(22) Filed: **Aug. 22, 2016**

(51) **LOC (11) Cl.** **07-01**

(52) **U.S. Cl.**
USPC **D7/306; D7/311**

(58) **Field of Classification Search**
USPC D7/306-311, 590; 99/295
CPC A47J 31/3614; A47J 31/4403
See application file for complete search history.

(56) **References Cited**

U.S. PATENT DOCUMENTS

D311,845 S *	11/1990	Downie	D7/309
D336,004 S *	6/1993	Kahlcke	D7/309
5,305,924 A *	4/1994	Groover	B67D 1/1405
			137/377
D356,713 S *	3/1995	Groover	D7/306
D385,747 S *	11/1997	Inoue	D7/311
D464,226 S *	10/2002	Lassota	D7/306
D478,460 S *	8/2003	Chiu	D7/306
6,619,507 B2 *	9/2003	Lassota	B67D 1/06
			222/108
6,820,771 B2 *	11/2004	Lassota	A47J 31/50
			222/185.1
D561,517 S *	2/2008	Borin	D7/309
D561,518 S *	2/2008	Borin	D7/309
D563,142 S *	3/2008	Kauer	D7/306
D570,148 S *	6/2008	Garman	D7/306
D594,266 S *	6/2009	Nakatani	D7/306

D602,301 S *	10/2009	Romandy	313/309
D632,919 S *	2/2011	Sang-Ho	D7/306
7,926,413 B2 *	4/2011	Hart	A47J 31/4403
			222/108
D639,598 S *	6/2011	Eckholm	D7/309
D694,566 S *	12/2013	Harthoorn	D7/306
9,133,010 B2 *	9/2015	Huang	B67D 3/0029

FOREIGN PATENT DOCUMENTS

JP	D1106688	2/2001
JP	D1203323	3/2004
JP	D1281906	8/2006
JP	D1297987	3/2007

(Continued)

OTHER PUBLICATIONS

Catalog issued by Tiger Corporation on Jan. 2015, No. 74.
Catalog issued by Zojirushi Corporation on Jul. 2015, No. 132.

Primary Examiner — Marianne Pandozzi
(74) *Attorney, Agent, or Firm* — Young & Thompson

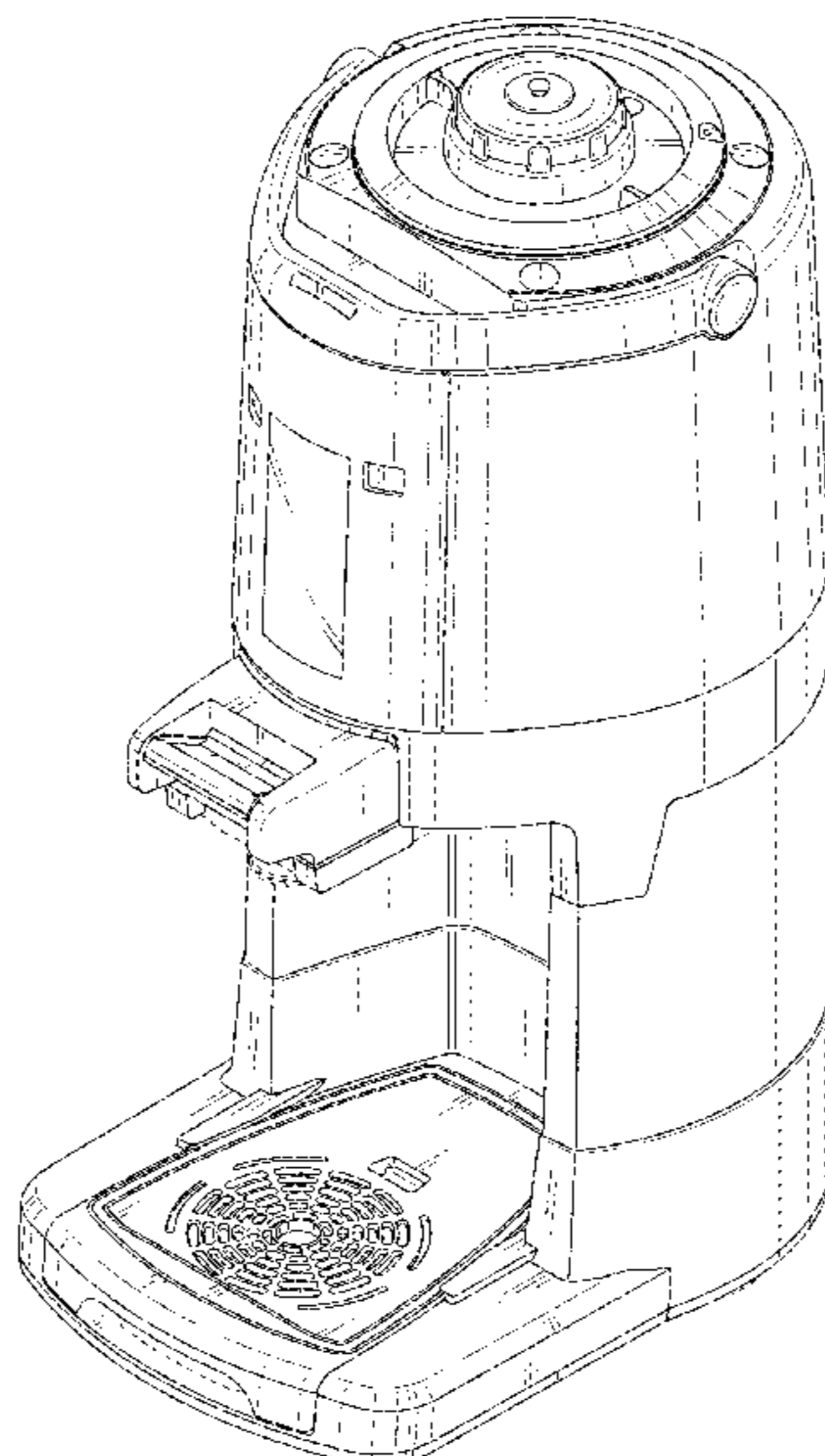
(57) **CLAIM**

The ornamental design for a drink dispenser, as shown and described.

DESCRIPTION

FIG. 1 is a front perspective view of a drink dispenser showing my new design;
FIG. 2 is a rear perspective view thereof;
FIG. 3 is a front view thereof;
FIG. 4 is a rear view thereof;
FIG. 5 is a left side view thereof;
FIG. 6 is a right side view thereof;
FIG. 7 is a top view thereof; and,
FIG. 8 is a bottom view thereof.
The broken lines in the drawing depict portions of the drink dispenser that form no part of the claimed design.

1 Claim, 8 Drawing Sheets



(56)

References Cited

FOREIGN PATENT DOCUMENTS

JP	D1323793	2/2008
JP	D1370731	9/2009
JP	D1452321	8/2012
JP	D1452323	8/2012

* cited by examiner

Fig. 1

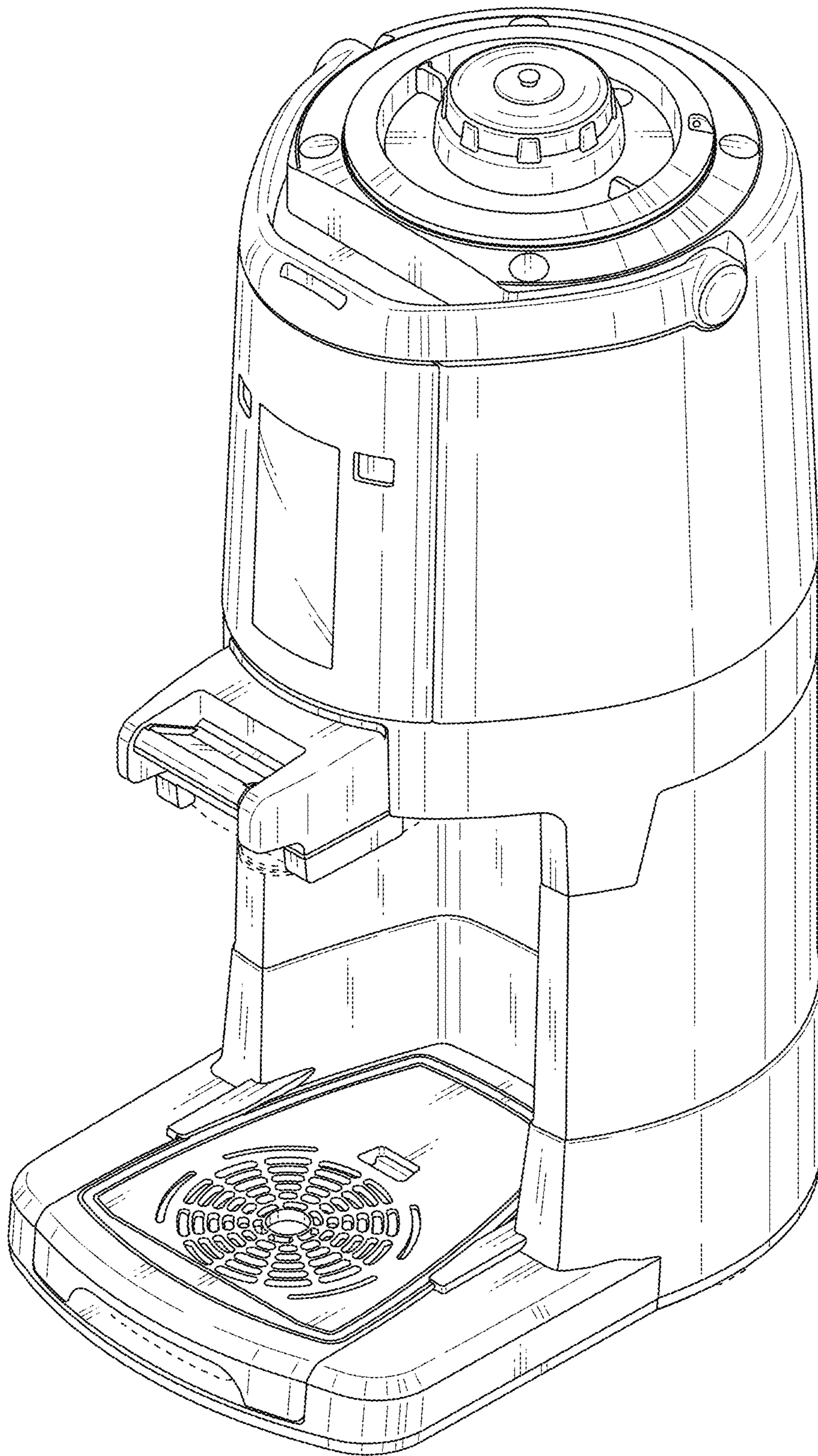


Fig. 2

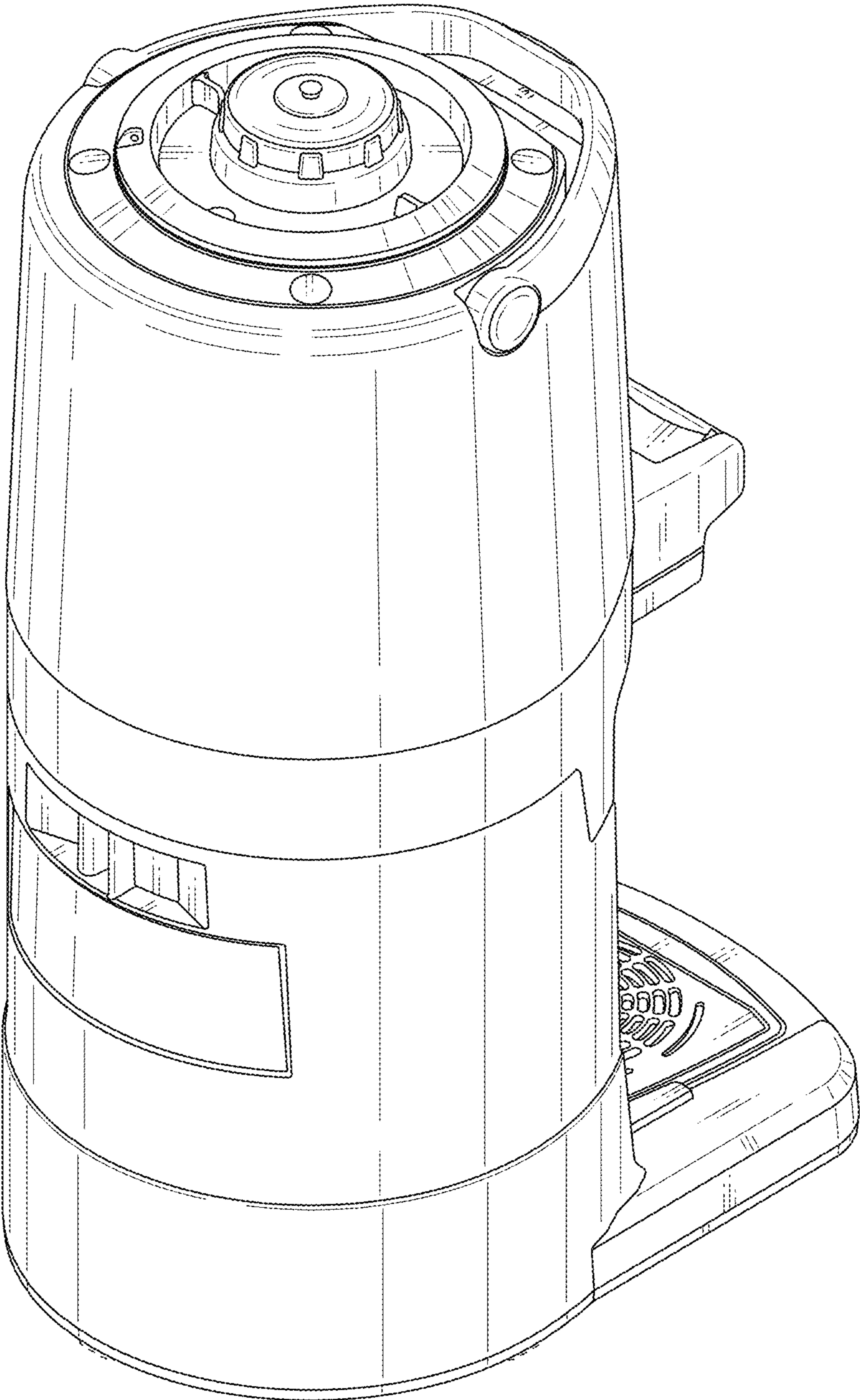


Fig. 3

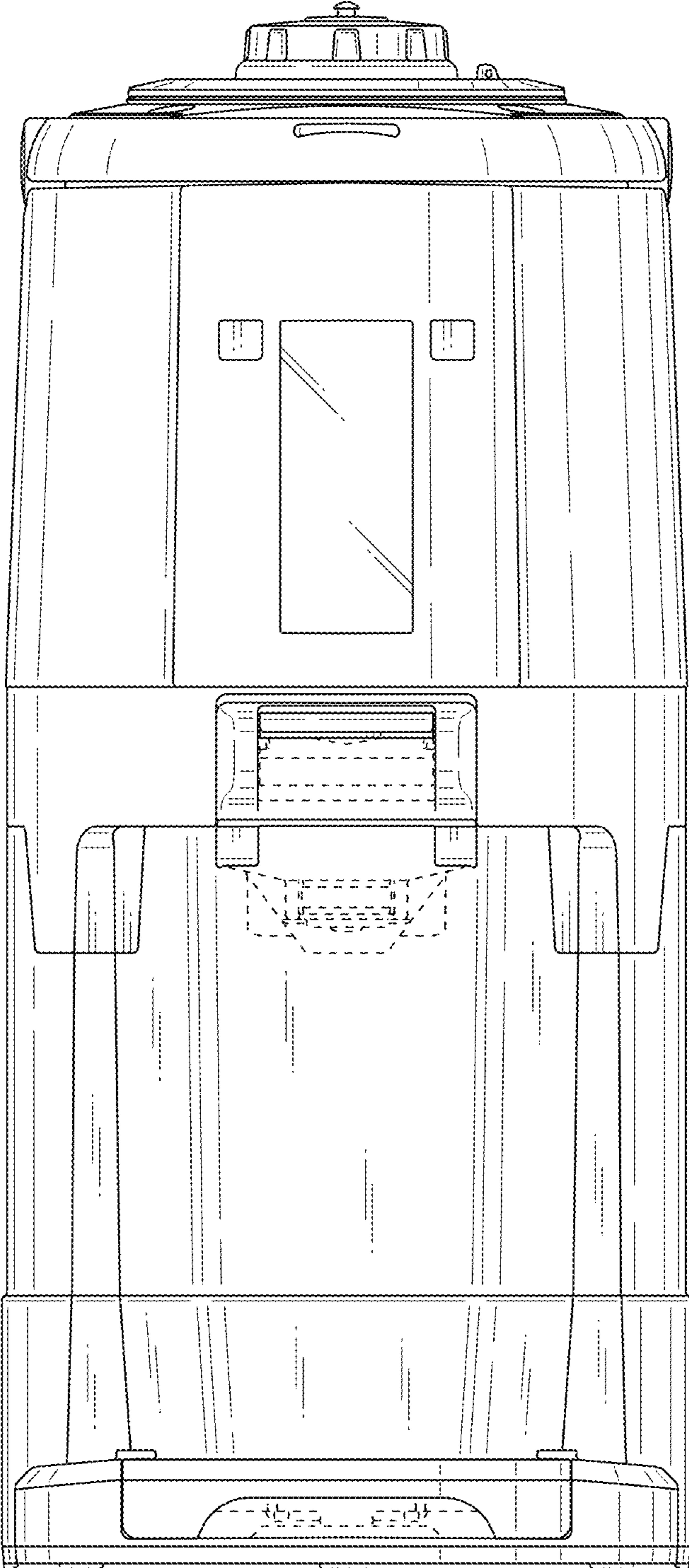


Fig. 4

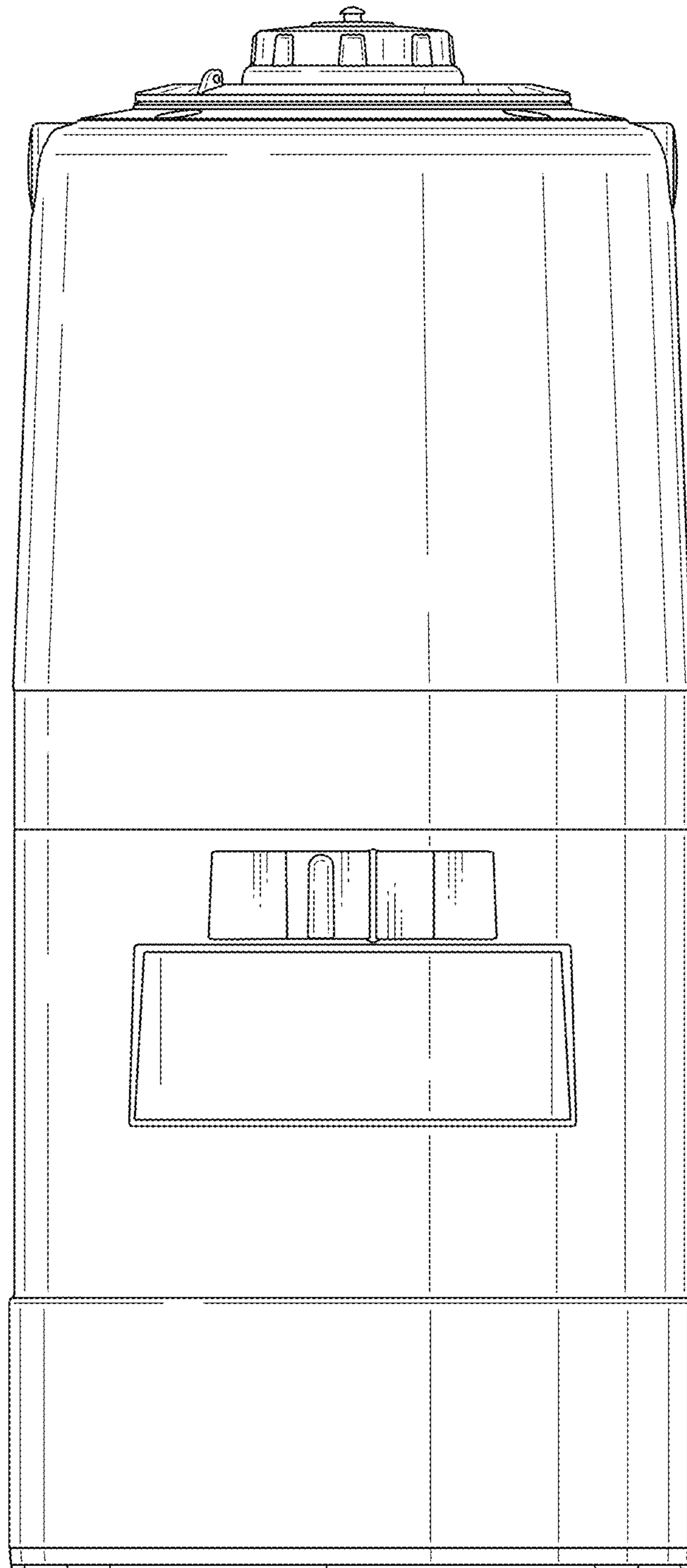


Fig. 5

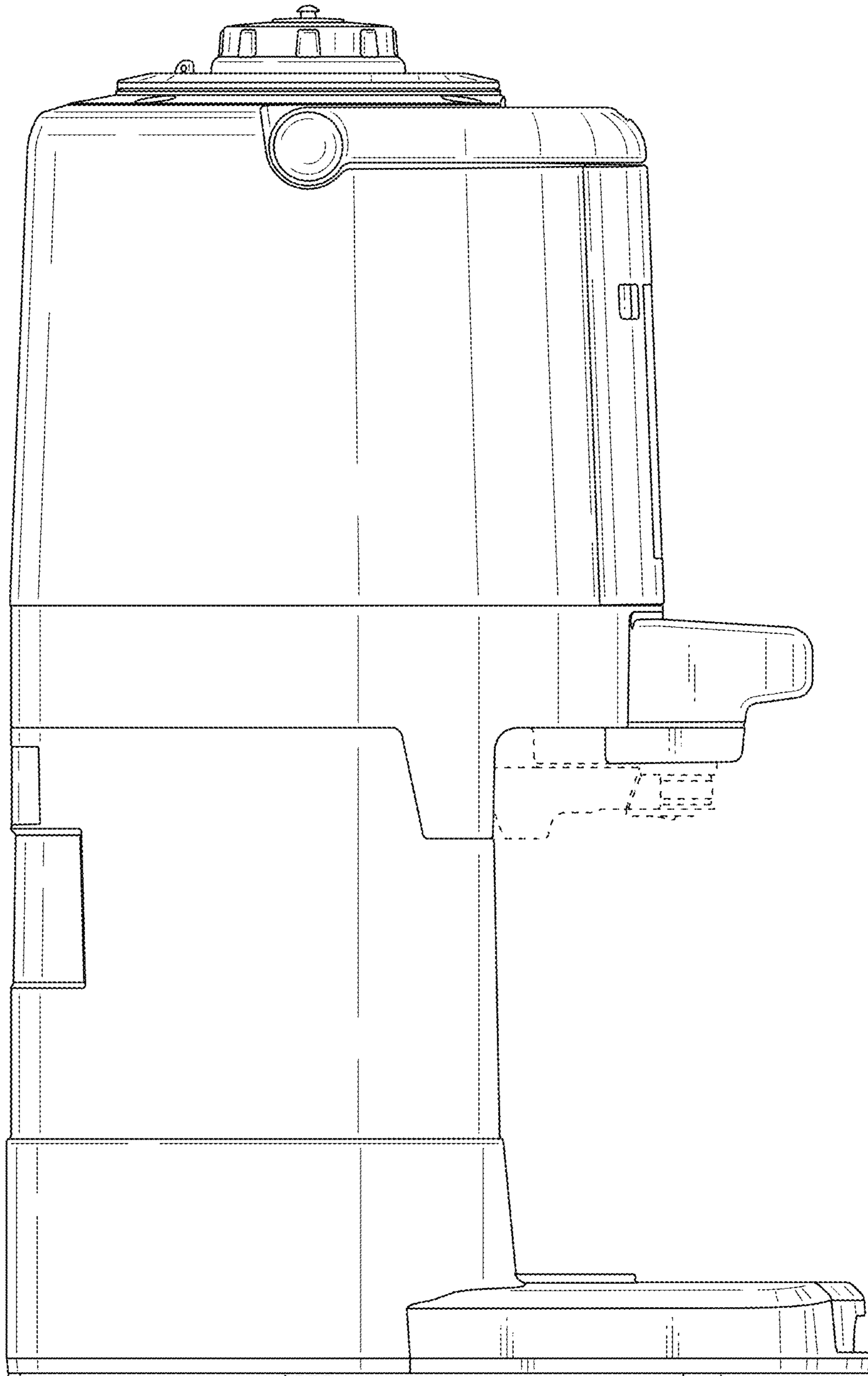


Fig. 6

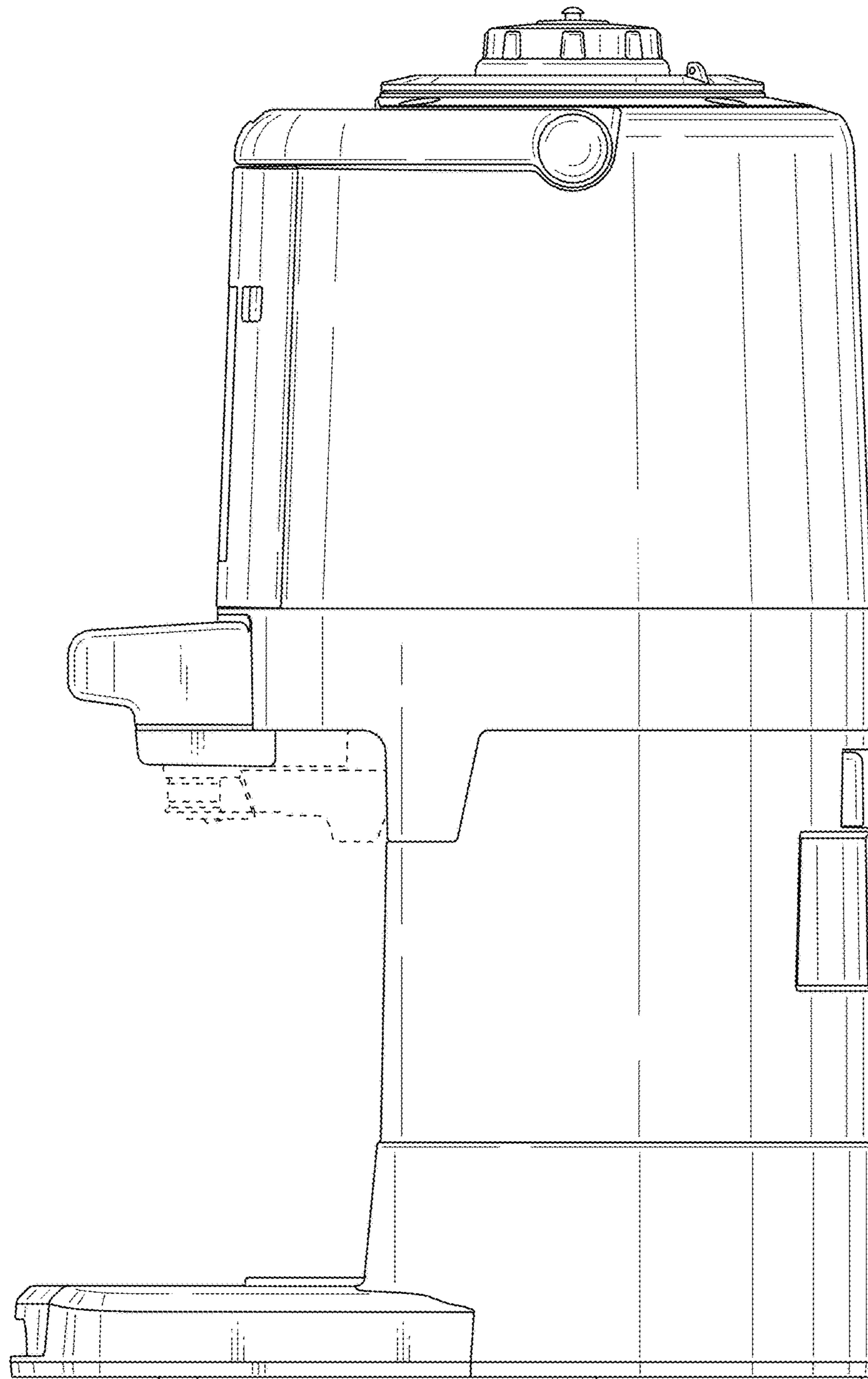


Fig. 7

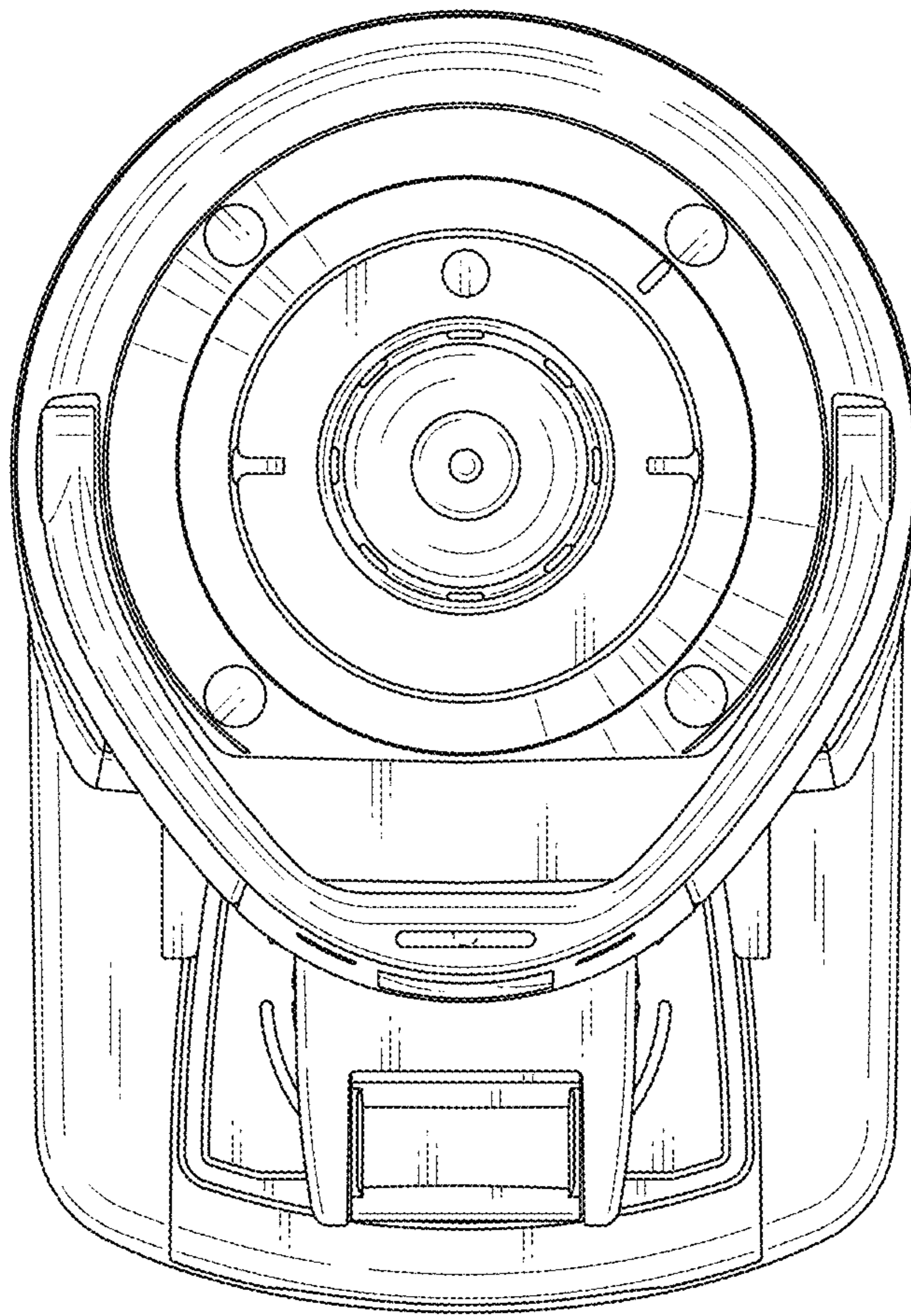


Fig. 8

