



US00D821794S

(12) **United States Design Patent**  
**Hurford**

(10) **Patent No.:** **US D821,794 S**  
(45) **Date of Patent:** **\*\* Jul. 3, 2018**

(54) **CHAIR**

(71) Applicant: **Okamura Corporation**, Yokohama-shi,  
Kanagawa (JP)

(72) Inventor: **Alexander Hurford**, Yokohama (JP)

(73) Assignee: **Okamura Corporation**, Yokohama-shi,  
Kanagawa (JP)

(\*\*) Term: **15 Years**

(21) Appl. No.: **29/599,368**

(22) Filed: **Apr. 3, 2017**

(30) **Foreign Application Priority Data**

Oct. 4, 2016 (JP) ..... 2016-021605

(51) **LOC (11) Cl.** ..... **06-01**

(52) **U.S. Cl.**  
USPC ..... **D6/716.4; D6/376**

(58) **Field of Classification Search**  
USPC ..... D6/334-336, 371, 372, 373, 374, 375,  
D6/376, 379, 380, 716, 716.4  
CPC .... A47C 3/04; A47C 4/02; A47C 4/03; A47C  
5/04; A47C 5/06; A47C 5/12; A47C  
7/022; A47C 7/16

See application file for complete search history.

(56) **References Cited**

**U.S. PATENT DOCUMENTS**

D561,485 S \* 2/2008 Hock ..... D6/379  
D575,542 S \* 8/2008 Igarashi ..... D6/380

D586,577 S \* 2/2009 Koh ..... D6/376  
D600,935 S \* 9/2009 Koh ..... D6/374  
D600,936 S \* 9/2009 Koh ..... D6/376  
D756,695 S \* 5/2016 Hurford ..... D6/716.4  
D761,050 S \* 7/2016 Pan ..... D6/716.4  
D798,626 S \* 10/2017 Cohen ..... D6/376  
2008/0315645 A1 \* 12/2008 Hock ..... A47C 3/04  
297/239  
2008/0315646 A1 \* 12/2008 Hock ..... A47C 3/04  
297/239

\* cited by examiner

*Primary Examiner* — Mimoso De

(74) *Attorney, Agent, or Firm* — Banner & Witcoff, Ltd.

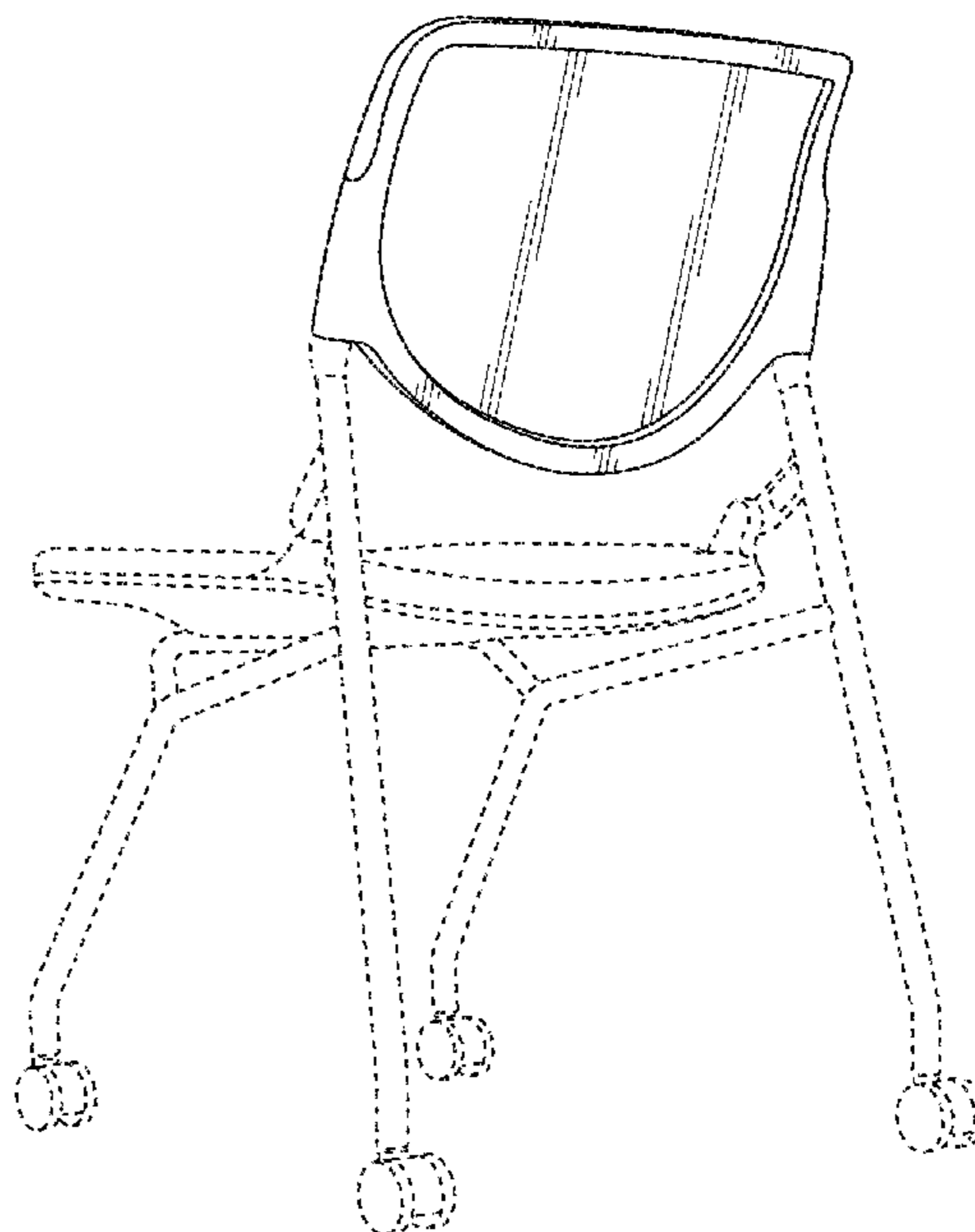
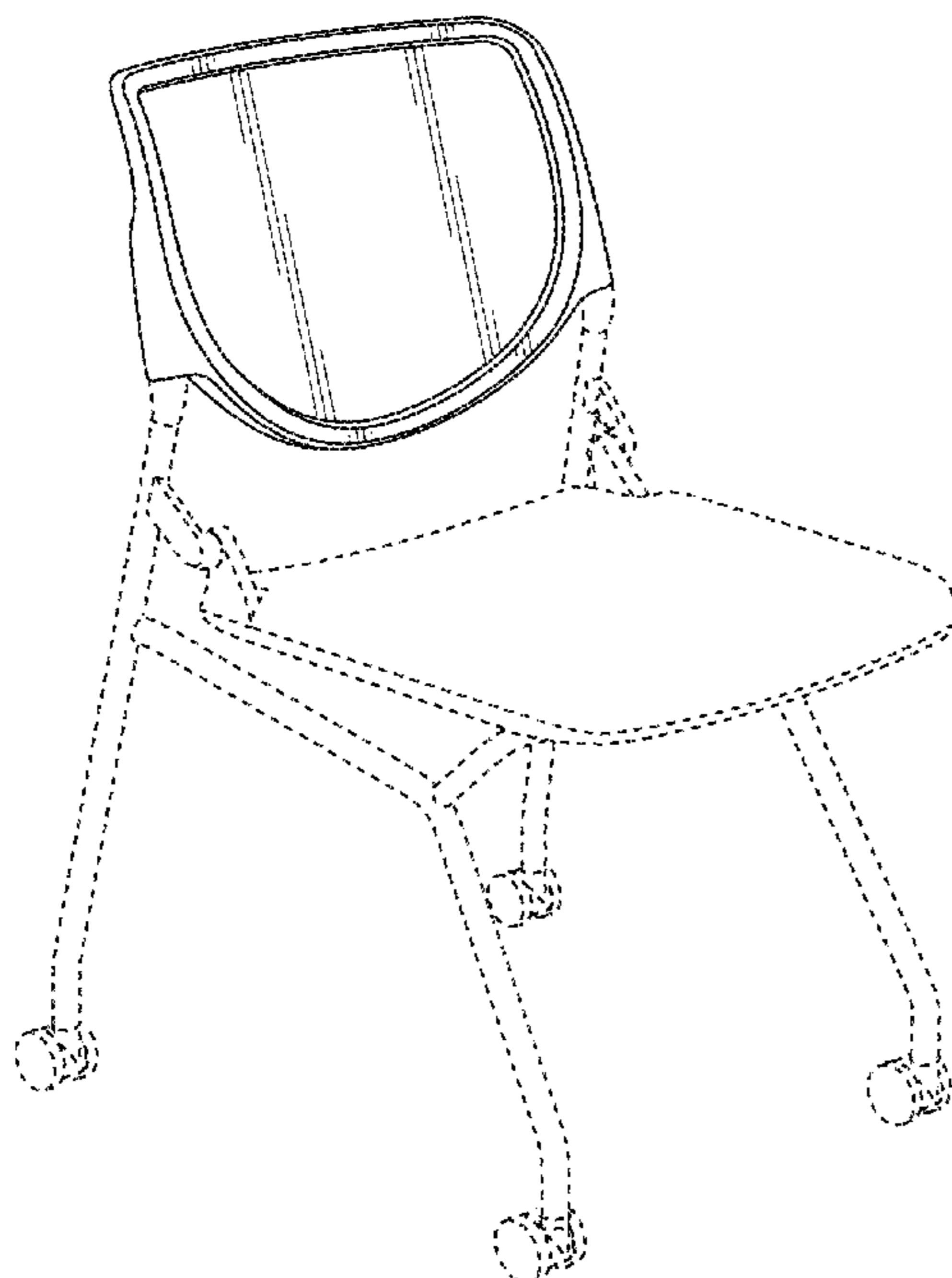
(57) **CLAIM**

The ornamental design for a chair, as shown and described.

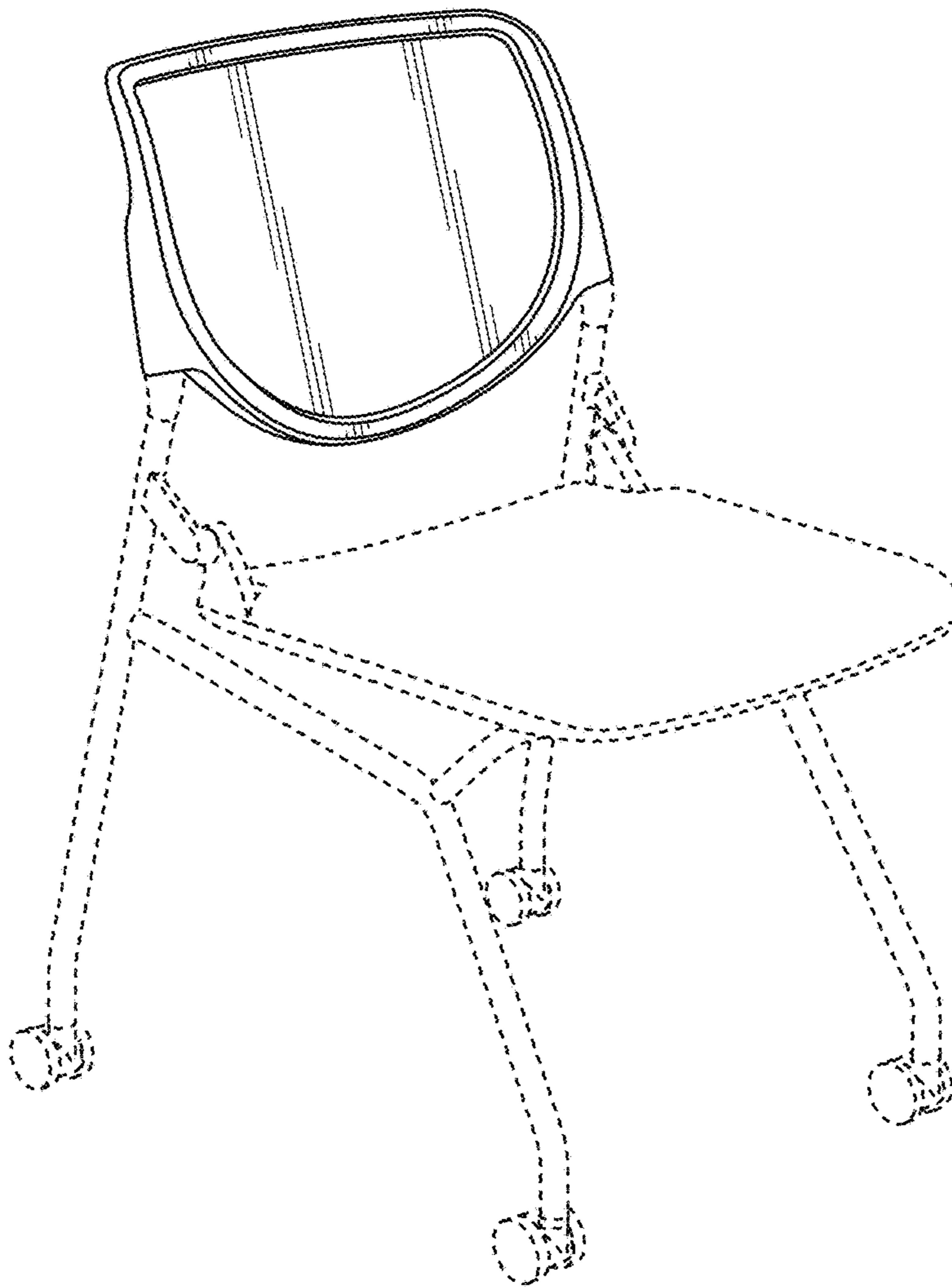
**DESCRIPTION**

FIG. 1 is a front perspective view of a chair showing my new design;  
FIG. 2 is a rear perspective view thereof;  
FIG. 3 is a front view thereof;  
FIG. 4 is a rear view thereof;  
FIG. 5 is a top view thereof;  
FIG. 6 is a bottom view thereof; and,  
FIG. 7 is a right side view thereof, the left side view thereof being a mirror image.  
The broken lines in figures are for the purpose of illustrating portions of the chair and form no part of the claimed design.

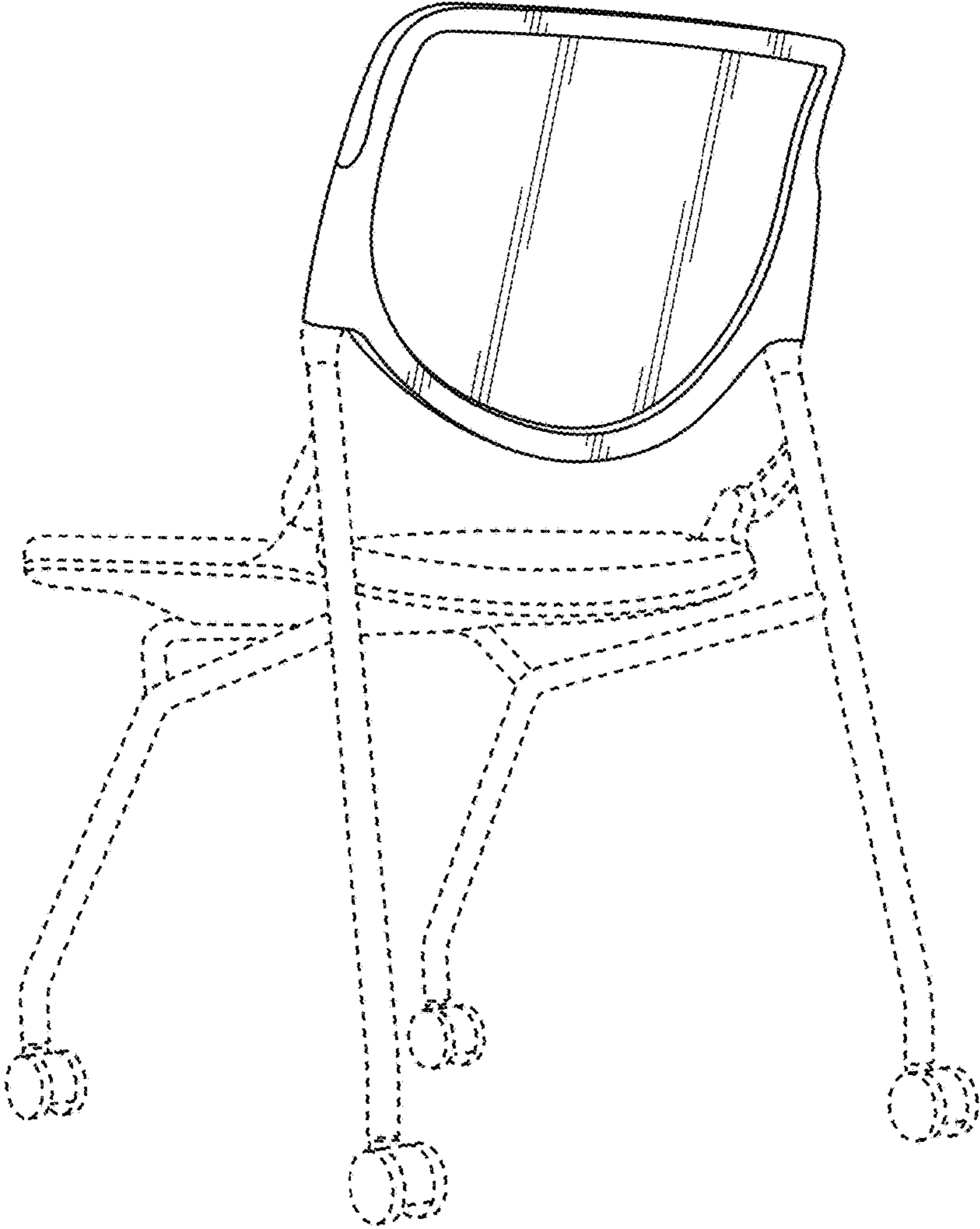
**1 Claim, 6 Drawing Sheets**



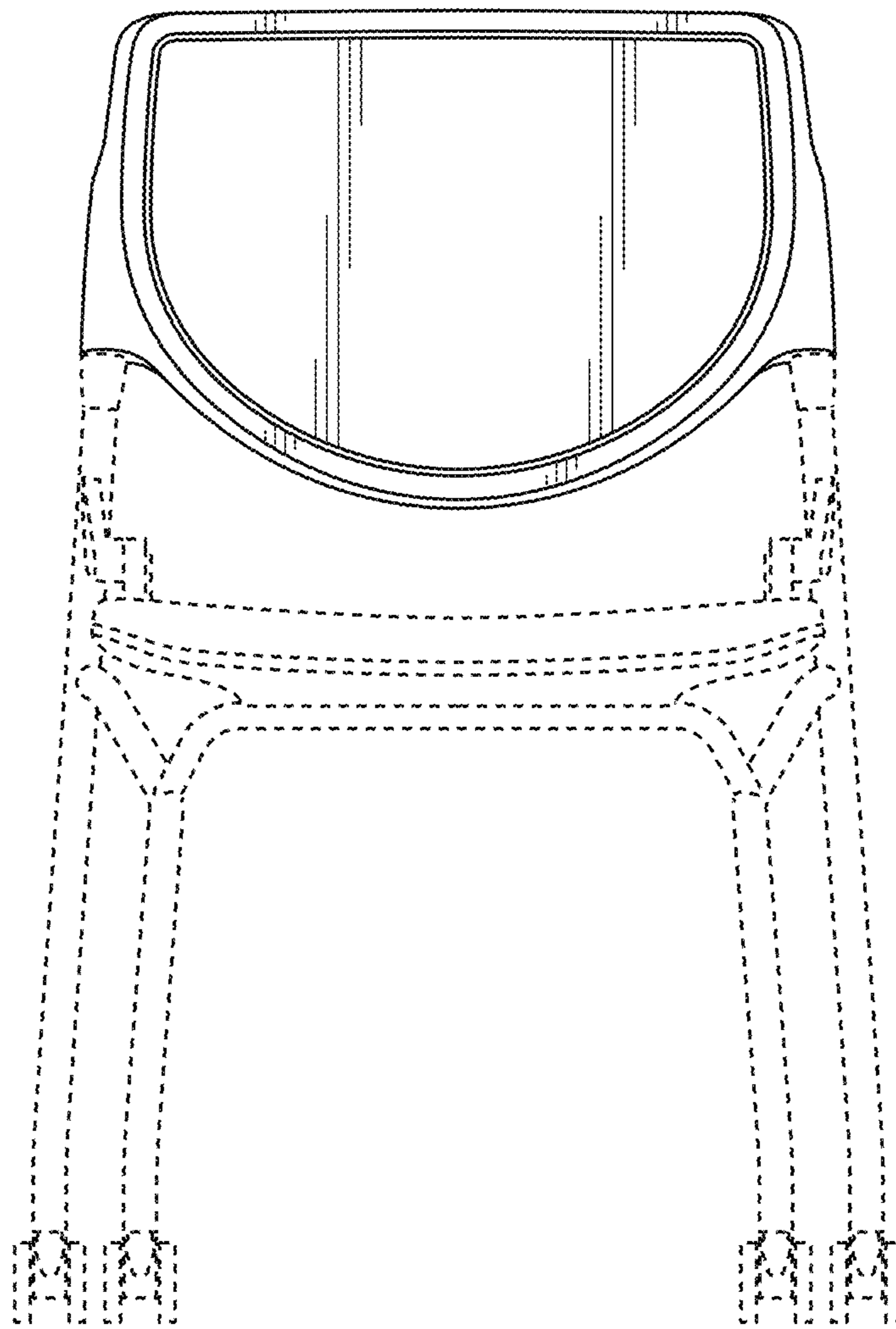
**FIG. 1**



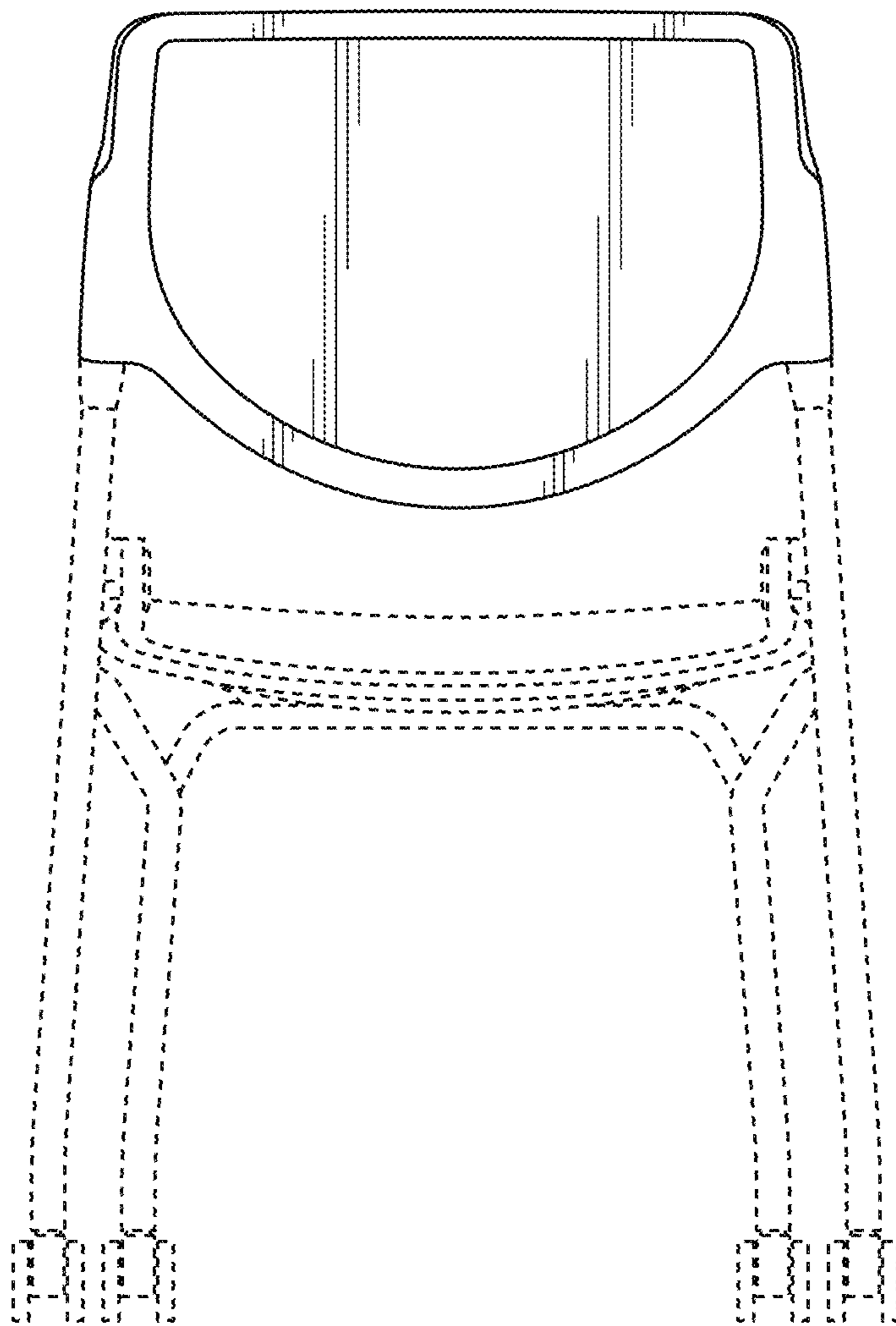
**FIG. 2**



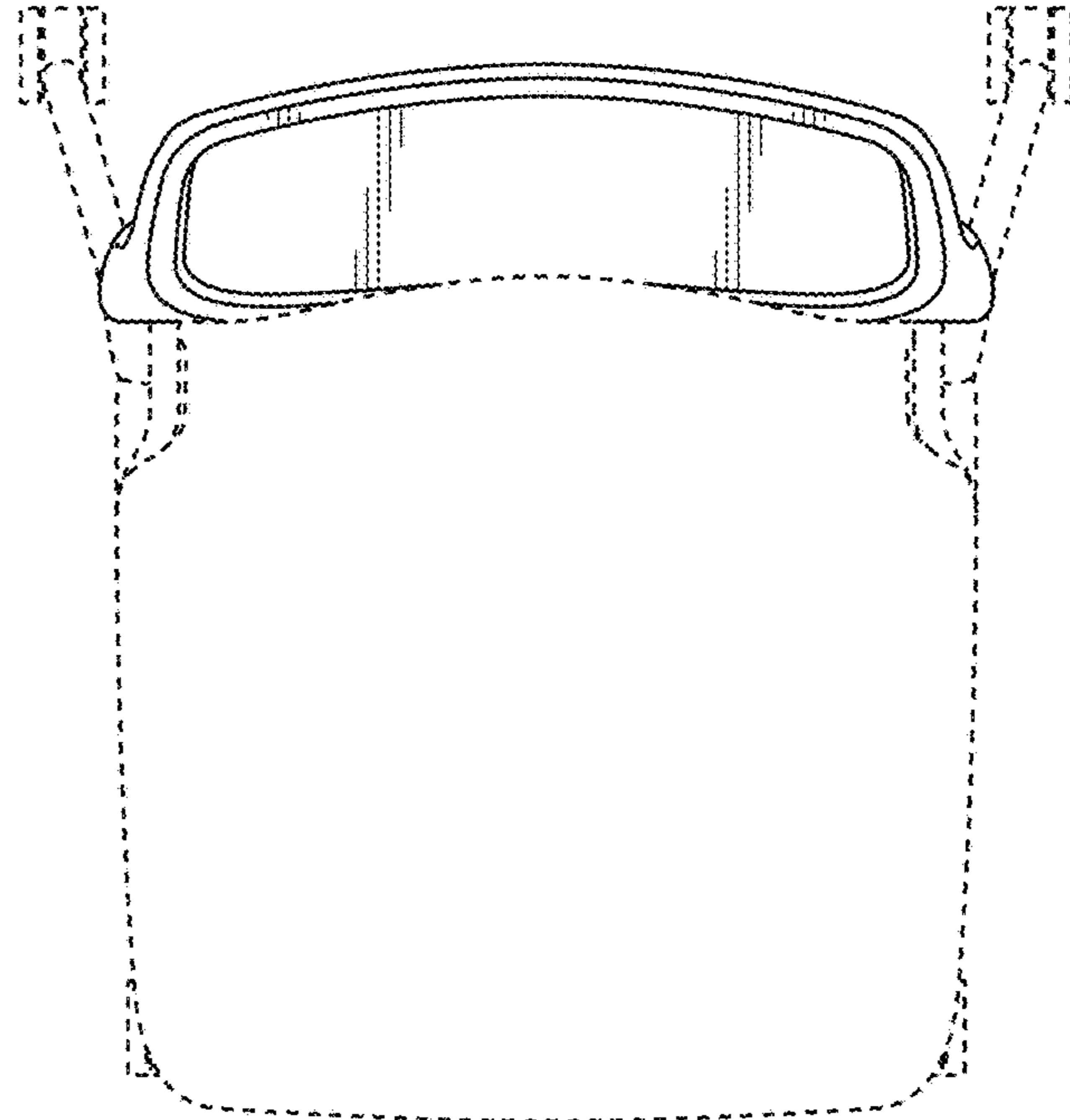
**FIG. 3**



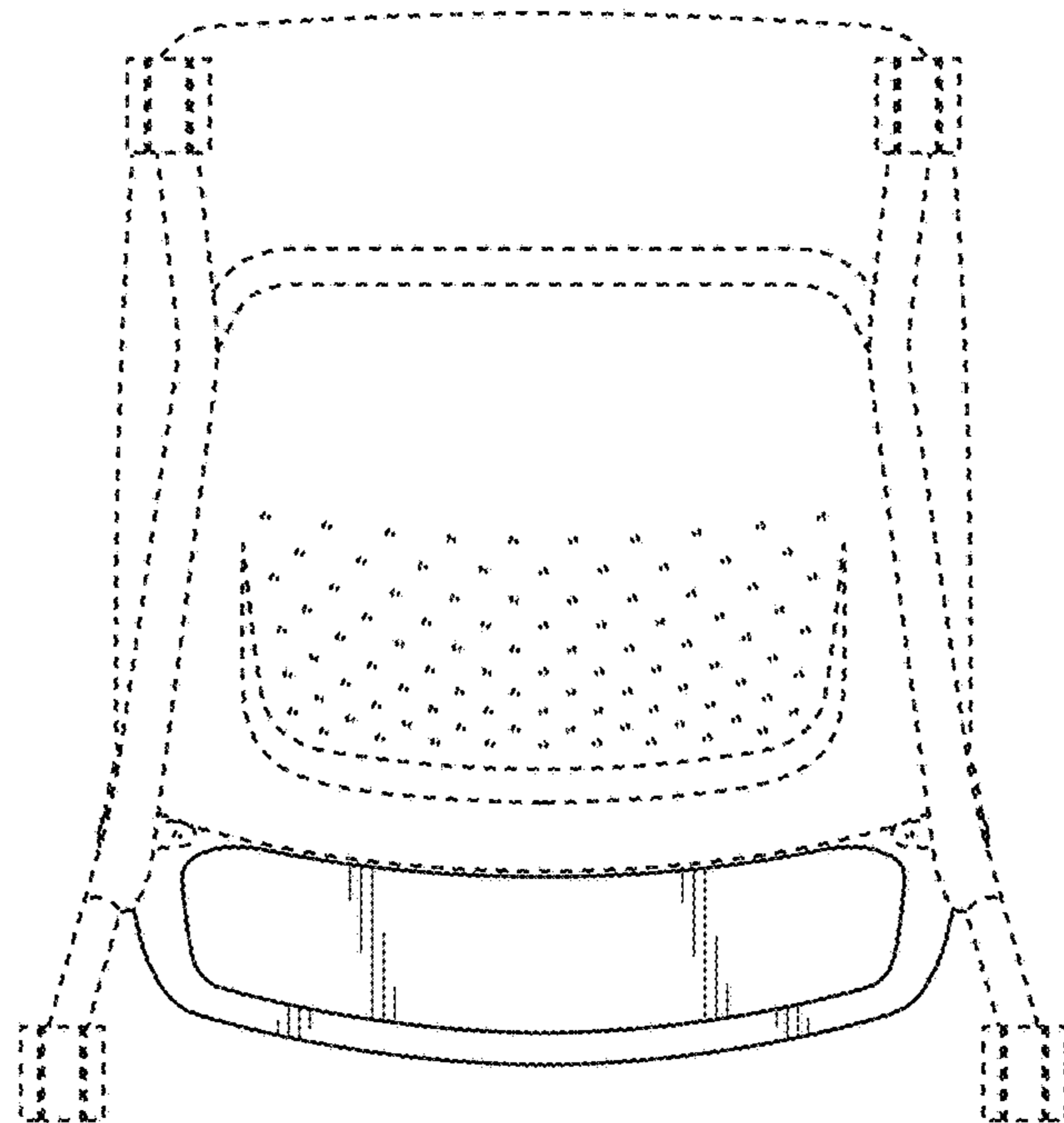
**FIG. 4**



**FIG. 5**



**FIG. 6**



**FIG. 7**

