



US00D821792S

(12) **United States Design Patent** (10) **Patent No.:** **US D821,792 S**
Jones (45) **Date of Patent:** **** Jul. 3, 2018**

(54) **CHAIR**

D274,880 S * 7/1984 Bentson D6/708.16
D281,749 S * 12/1985 Murry D6/708.16
D810,450 S * 2/2018 Zalaba D6/334

(71) Applicant: **Williams-Sonoma, Inc.**, San Francisco, CA (US)

* cited by examiner

(72) Inventor: **Ana Jones**, Brooklyn, NY (US)

Primary Examiner — Mimosa De

(73) Assignee: **Williams-Sonoma, Inc.**, San Francisco, CA (US)

(74) *Attorney, Agent, or Firm* — Cook Alex Ltd.; R. Blake Johnston

(**) Term: **15 Years**

(21) Appl. No.: **29/618,507**

(57) **CLAIM**

(22) Filed: **Sep. 21, 2017**

The ornamental design for a chair, as shown and described.

(51) **LOC (11) Cl.** **06-01**

(52) **U.S. Cl.**
USPC **D6/708.16**

(58) **Field of Classification Search**
USPC D6/334-336, 364, 365, 371, 372, 373, D6/374, 375, 376, 708.16, 716, 716.1, D6/716.4

DESCRIPTION

CPC .. A47C 4/028; A47C 5/04; A47C 5/06; A47C 7/16; A47C 7/18; A47C 7/24
See application file for complete search history.

FIG. 1 is a perspective view of the chair;
FIG. 2 is a front elevational view of the chair;
FIG. 3 is a rear elevational view of the chair;
FIG. 4 is a left side elevational view of the chair;
FIG. 5 is a right side elevational view of the chair;
FIG. 6 is a top plan view of the chair; and,
FIG. 7 is a bottom plan view of the chair.

(56) **References Cited**

The broken lines shown in the drawings are for illustrative purposes only and form no part of the claimed design.

U.S. PATENT DOCUMENTS

D213,683 S * 4/1969 Leistikow D6/374
D227,214 S * 6/1973 Inouye D6/708.16

1 Claim, 4 Drawing Sheets

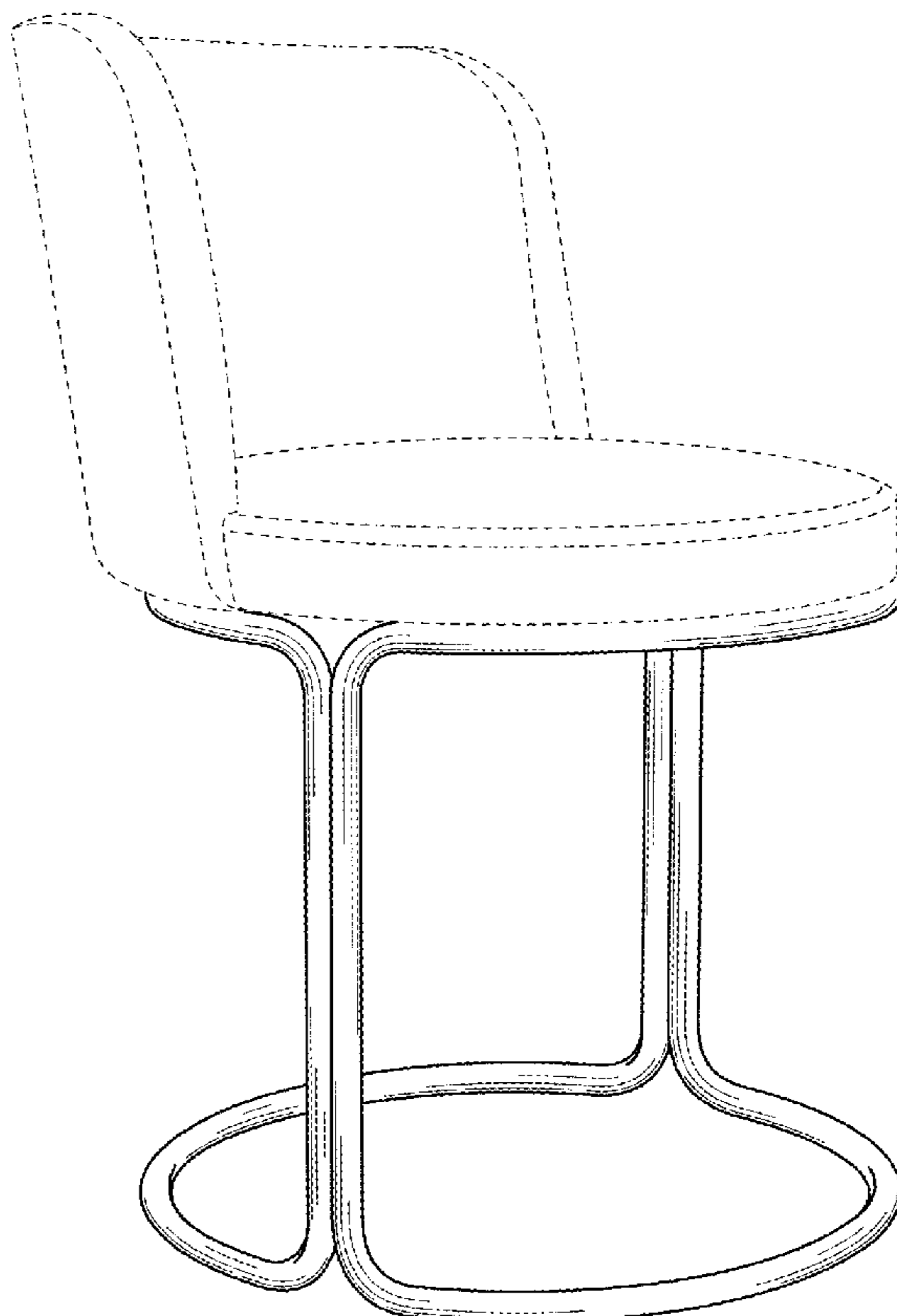




FIG. 1

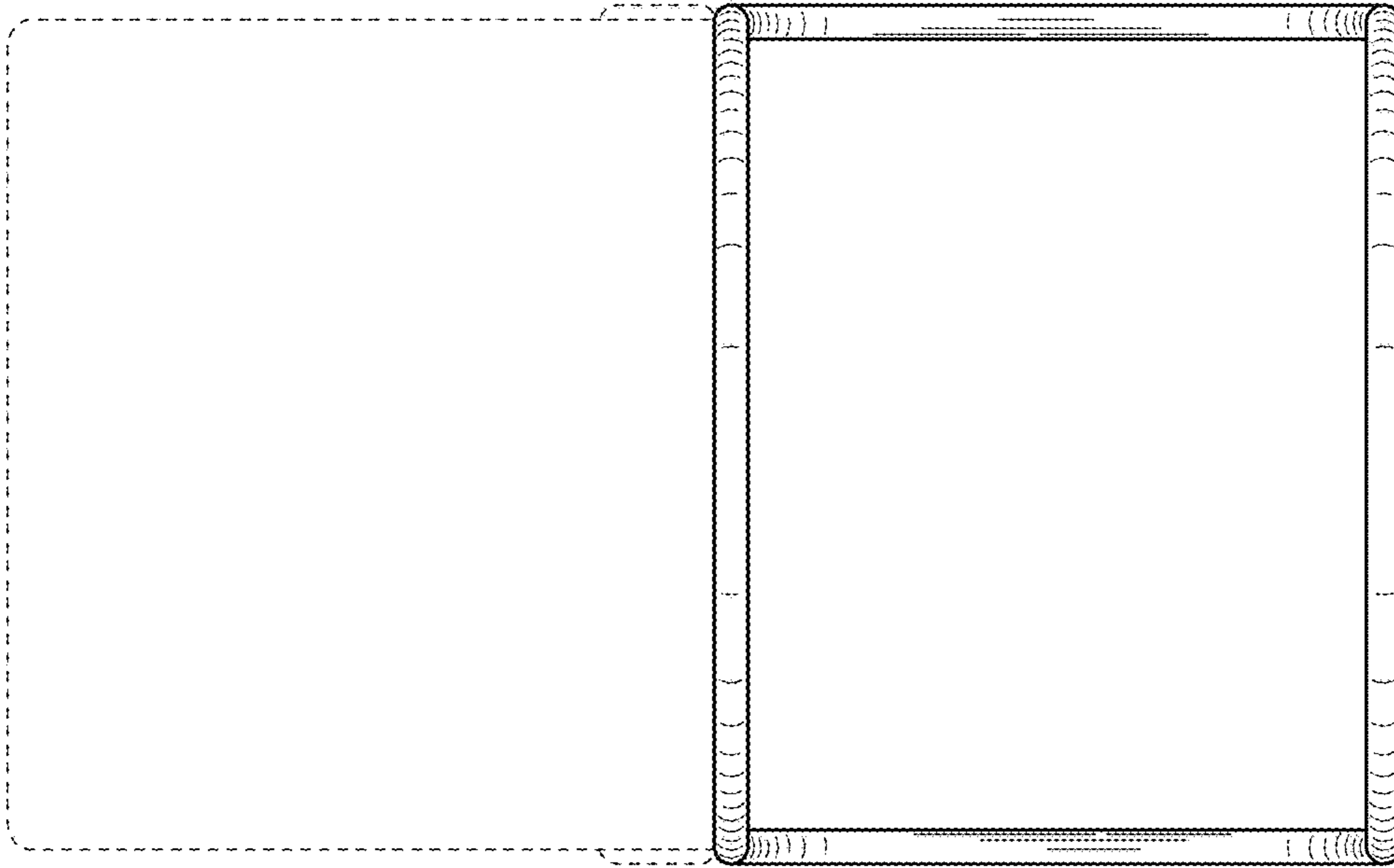


FIG. 3

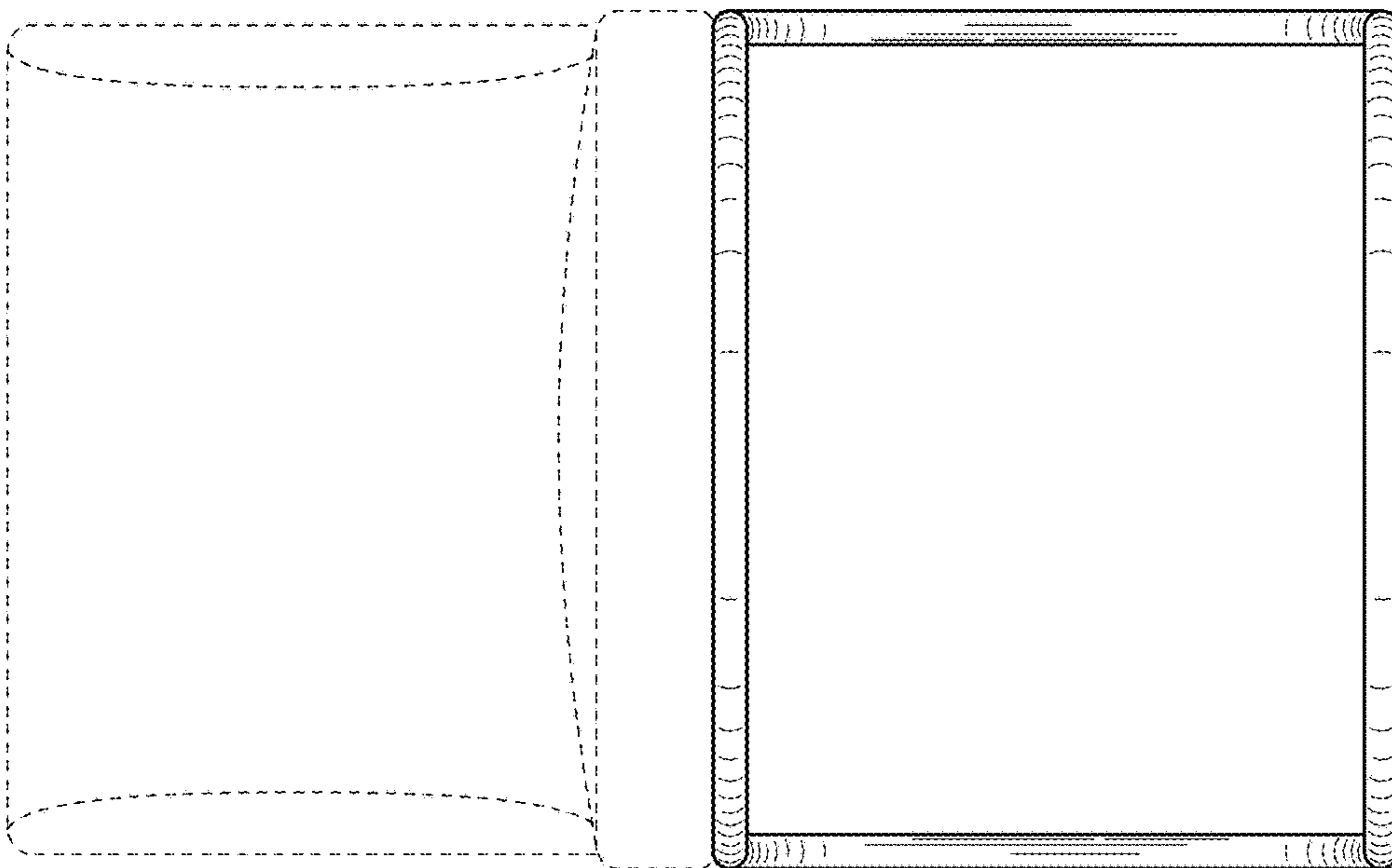


FIG. 2

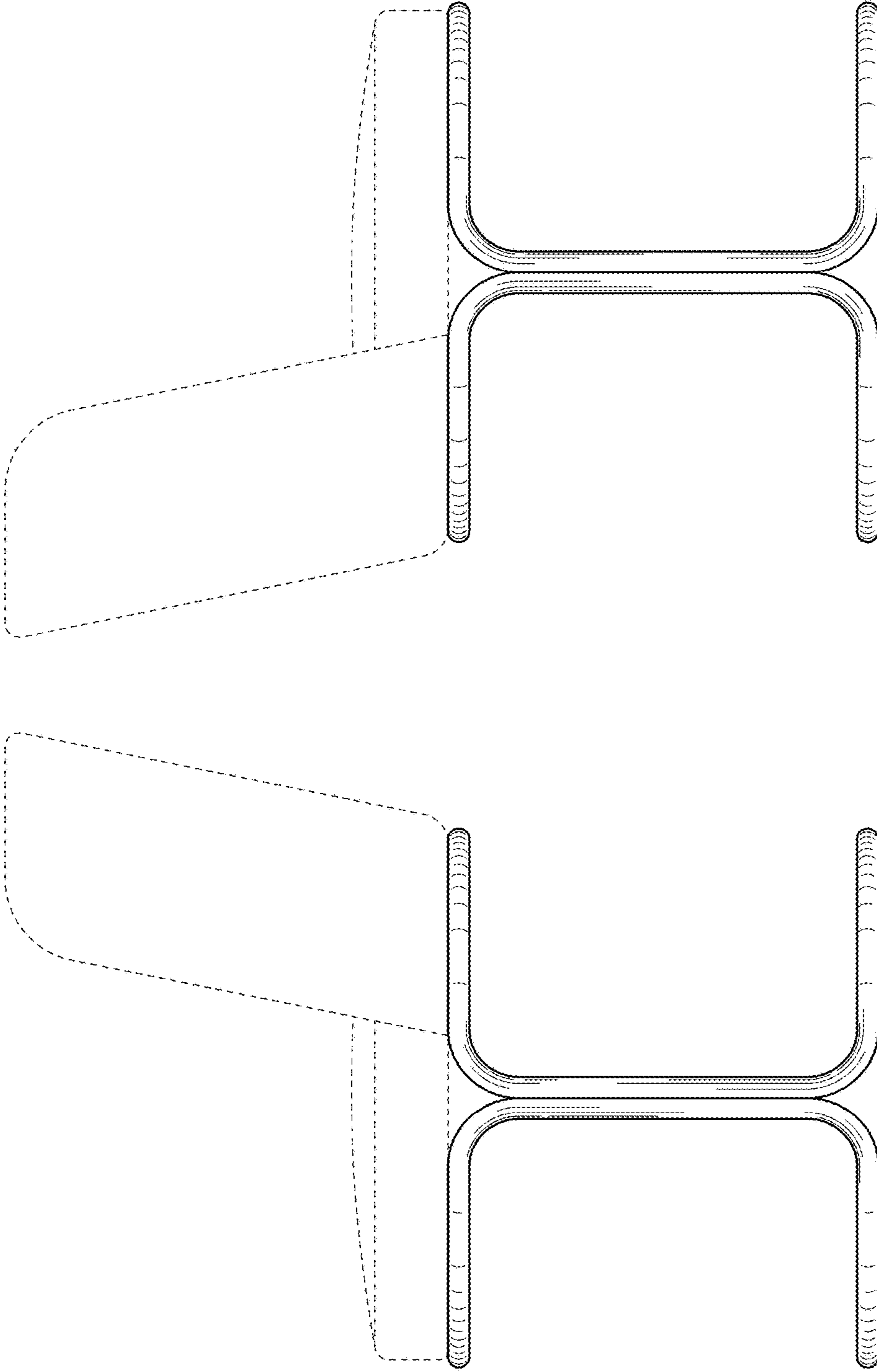


FIG. 5

FIG. 4

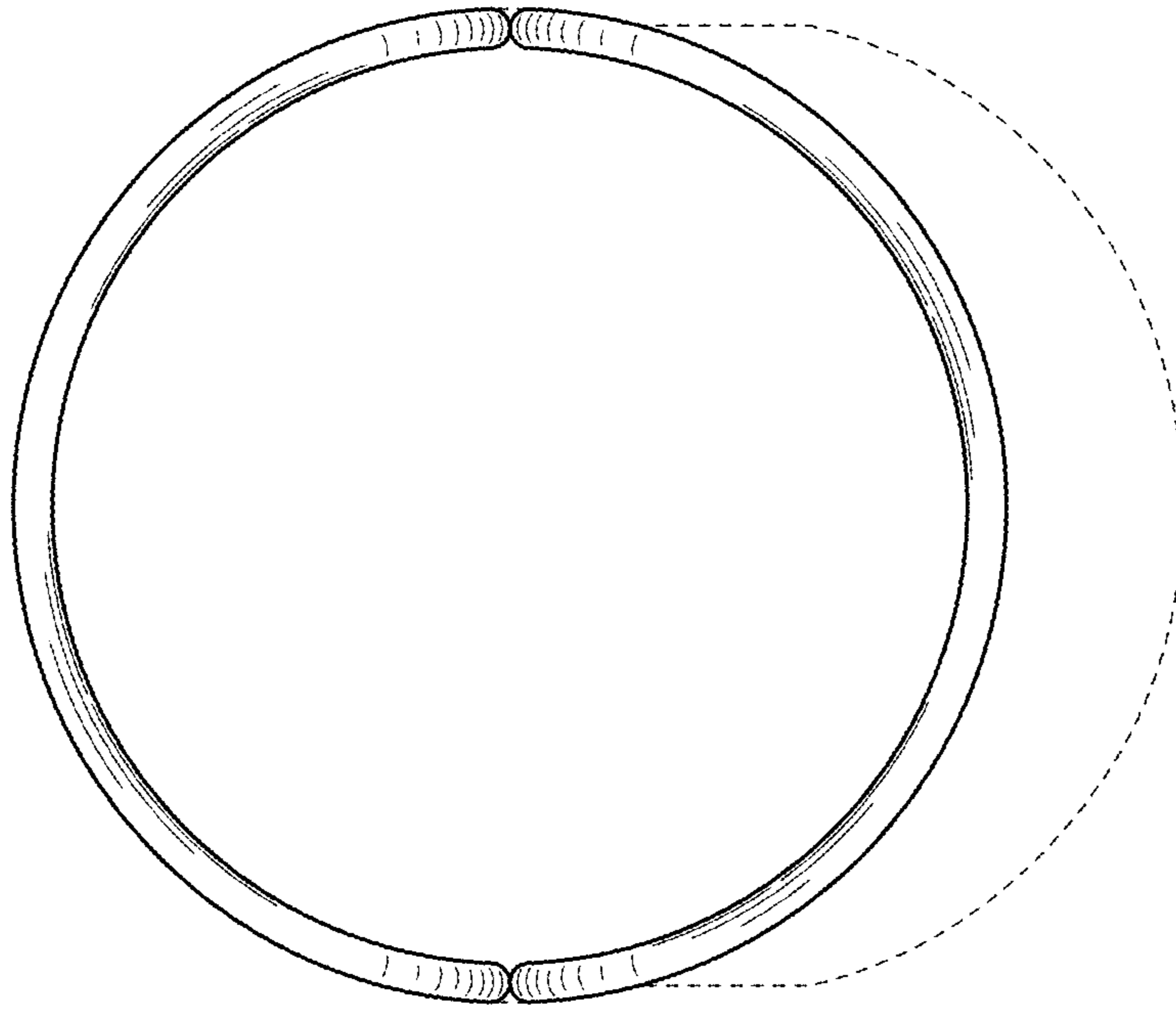


FIG. 7

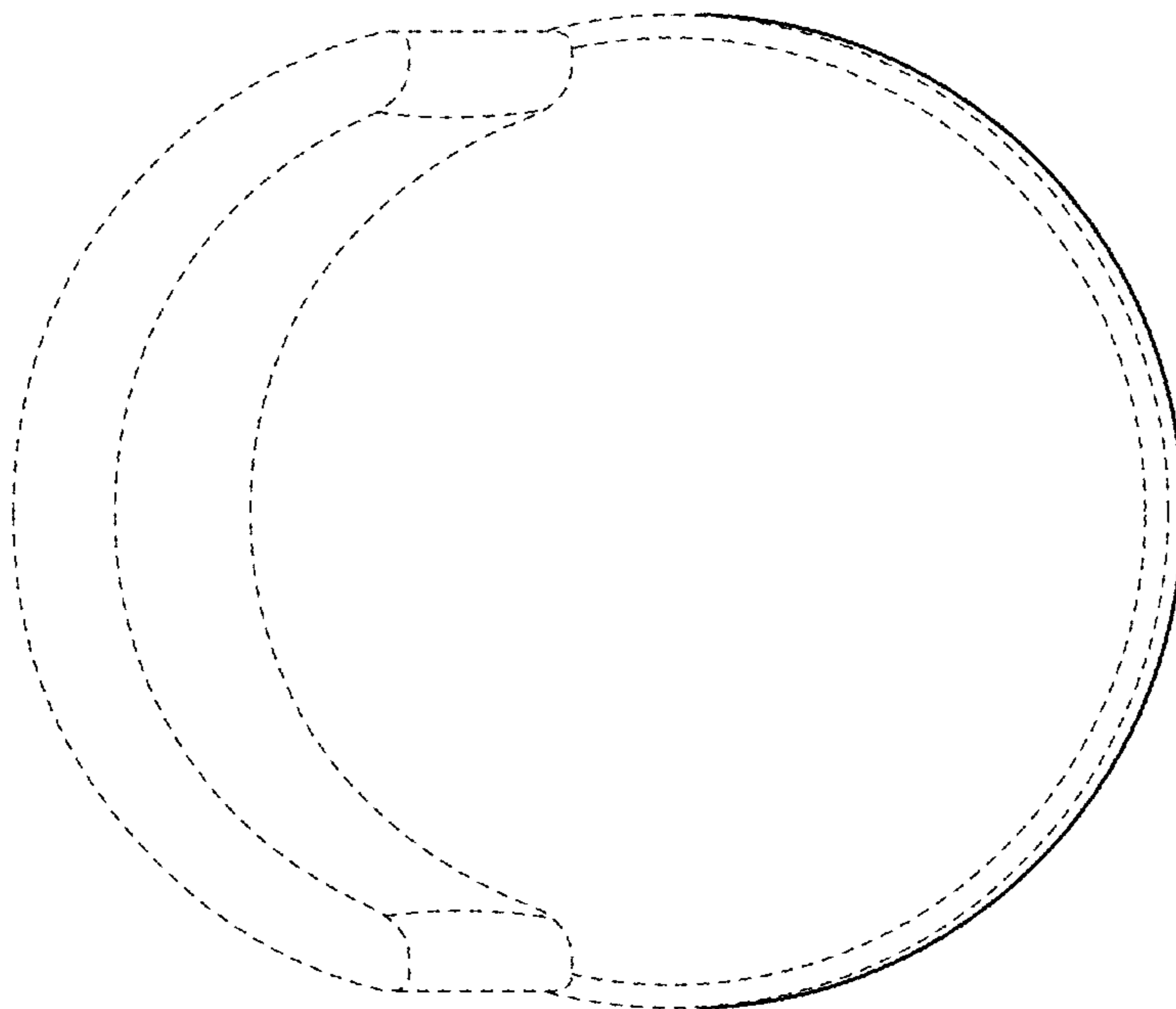


FIG. 6