



US00D821791S

(12) **United States Design Patent**
Smith et al.

(10) **Patent No.:** **US D821,791 S**
(45) **Date of Patent:** **** Jul. 3, 2018**

(54) **CHAIR**

(71) Applicant: **Steelcase Inc.**, Grand Rapids, MI (US)

(72) Inventors: **Dennis Smith**, Cedar Springs, MI (US);
Mark McKenna, East Grand Rapids,
MI (US); **Thomas Siffer**, Munich (DE);
Ryan D. Vaughan, Lowell, MI (US);
Santiago Carral O Gorman, Grand
Rapids, MI (US)

(73) Assignee: **Steelcase Inc.**, Grand Rapids, MI (US)

(**) Term: **15 Years**

(21) Appl. No.: **29/604,693**

(22) Filed: **May 19, 2017**

(51) **LOC (11) Cl.** **06-01**

(52) **U.S. Cl.**
USPC **D6/708**; D6/360

(58) **Field of Classification Search**
USPC D6/334-336, 349, 352, 360, 371, 372,
D6/373, 374, 375, 379, 380, 708, 716,
D6/716.1, 716.2, 716.4
CPC A47C 3/04; A47C 4/03; A47C 3/12; A47C
5/12; A47C 7/16; A47C 9/007
See application file for complete search history.

(56) **References Cited**

U.S. PATENT DOCUMENTS

1,480,416	A	1/1924	Pohl	
2,343,077	A	2/1944	Parrish	
2,640,527	A *	6/1953	Kreizelman A47C 4/02 297/451.1
2,687,768	A	8/1954	Kunkle	
2,697,575	A	12/1954	Eames	
2,789,631	A	4/1957	Vosbikian et al.	
3,032,375	A	5/1962	Lalandre	
D287,197	S *	12/1986	Zakharov D6/360
D287,794	S *	1/1987	Zakharov D6/360
D419,798	S	2/2000	Schacht et al.	
6,270,162	B1	8/2001	Jeny	

D481,875	S *	11/2003	Darafeev D6/360
D481,877	S *	11/2003	Darafeev D6/360
D482,539	S *	11/2003	Darafeev D6/360
D519,305	S	4/2006	Pesso	
D608,549	S	1/2010	Novak et al.	

(Continued)

FOREIGN PATENT DOCUMENTS

DE	202015101528	U1	5/2015
EM	001927518-0001		10/2011

(Continued)

OTHER PUBLICATIONS

Herman Miller Store, Eames Molded Plastic Side Chair, <http://store.hermanmiller.com/Products/Eames-Molded-Plastic-Side-Chair?utm_source=msn&utm_medium=cpc&utm_content=new%20eames%20upholstered%20side%20chair&utm_campaign=Seating&creative=10986406633&device=c&matchtype=b>, accessed from internet May 4, 2017.

(Continued)

Primary Examiner — Mimosa De
(74) *Attorney, Agent, or Firm* — Price Heneveld LLP

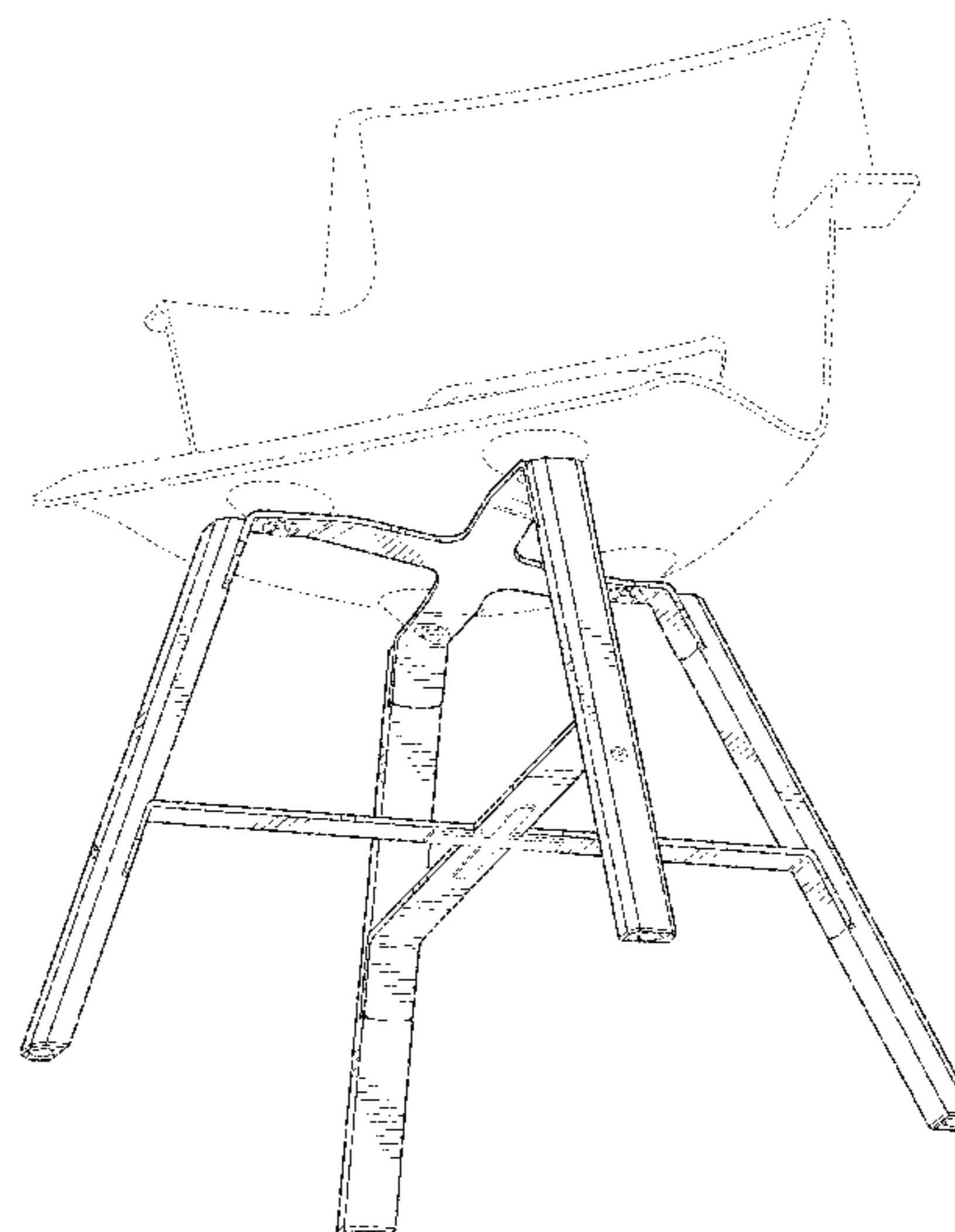
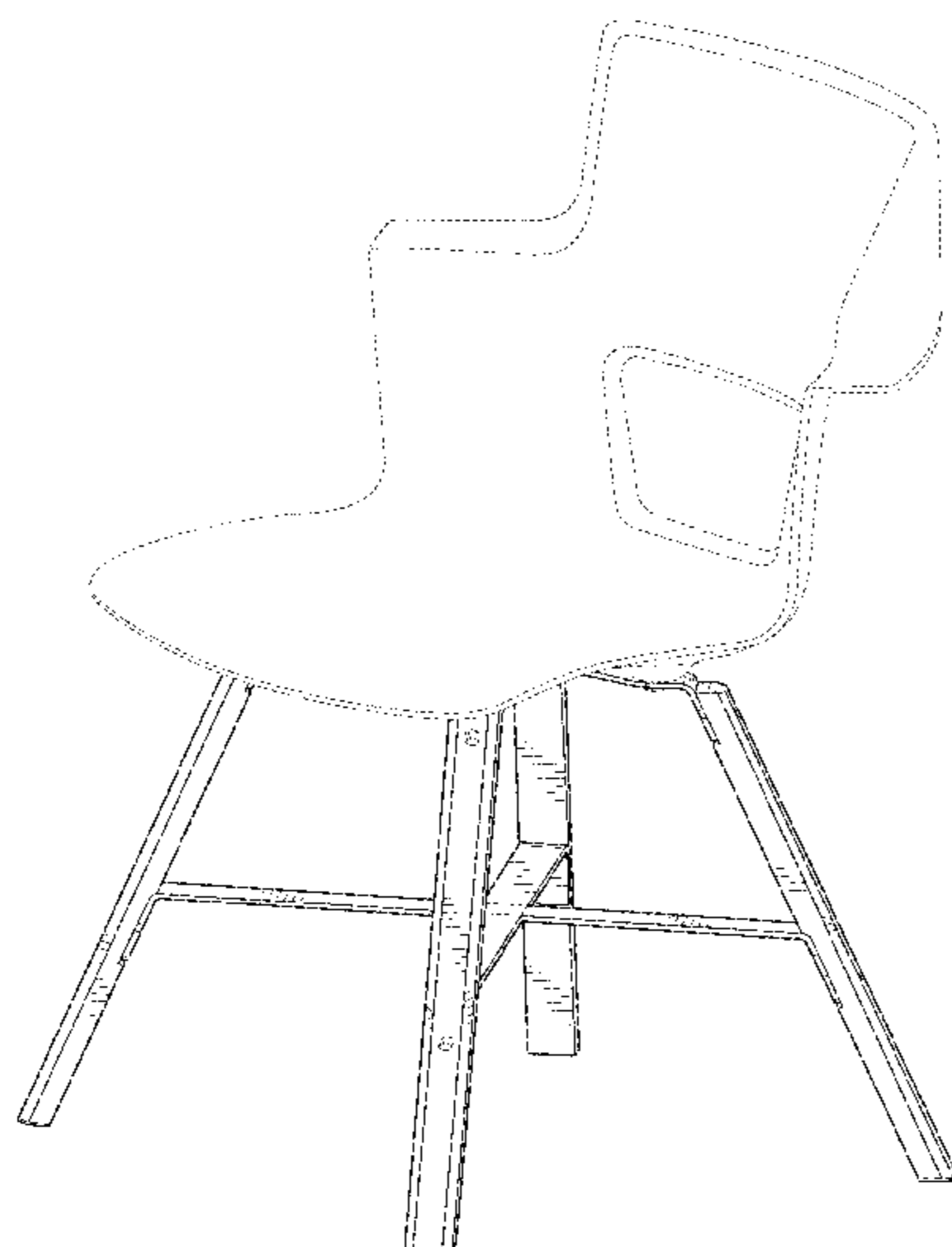
(57) **CLAIM**

The ornamental design for a chair, as shown and described.

DESCRIPTION

FIG. 1 is a front perspective view of a chair according to our design;
FIG. 2 is a front elevation view thereof;
FIG. 3 is a back elevation view thereof;
FIG. 4 is a right side elevation view thereof;
FIG. 5 is a left side elevation view thereof;
FIG. 6 is a top plan view thereof;
FIG. 7 is a bottom plan view thereof; and,
FIG. 8 is a bottom perspective view thereof.
The broken lines illustrating portions of the chair form no part of the claimed design.

1 Claim, 8 Drawing Sheets



(56)

References Cited

U.S. PATENT DOCUMENTS

D662,735 S 7/2012 Polidoros
D693,157 S 11/2013 Polidoros
D693,162 S 11/2013 Polidoros
D693,613 S 11/2013 Polidoros
D693,614 S 11/2013 Polidoros
D708,463 S 7/2014 Polidoros
D753,944 S 4/2016 Polidoros
9,398,811 B1 7/2016 Williams et al.
D767,927 S * 10/2016 Mahan-Rudolph D6/708
D770,793 S * 11/2016 Hayon D6/375
D770,794 S * 11/2016 Hayon D6/375
2010/0269738 A1 10/2010 Collins

FOREIGN PATENT DOCUMENTS

WO 2008092377 A1 8/2008
WO D082882-0001 2/2014
WO D090045-0014 2/2016
WO D094508-0010 12/2016

OTHER PUBLICATIONS

Home-and-Office-Chairs.com, Myka Brief PU with Solid Wood Legs, <<http://home-and-office-chairs.com/product/mykas-new-brief-pu-with-shell-solid-wood-legs-dining-chairs-set-of-2/>>, accessed from internet May 4, 2017.
ERG International, Foray Chairs, <www.erginternational.com/foray_chair.php>, accessed from internet May 4, 2017.

* cited by examiner



FIG. 1

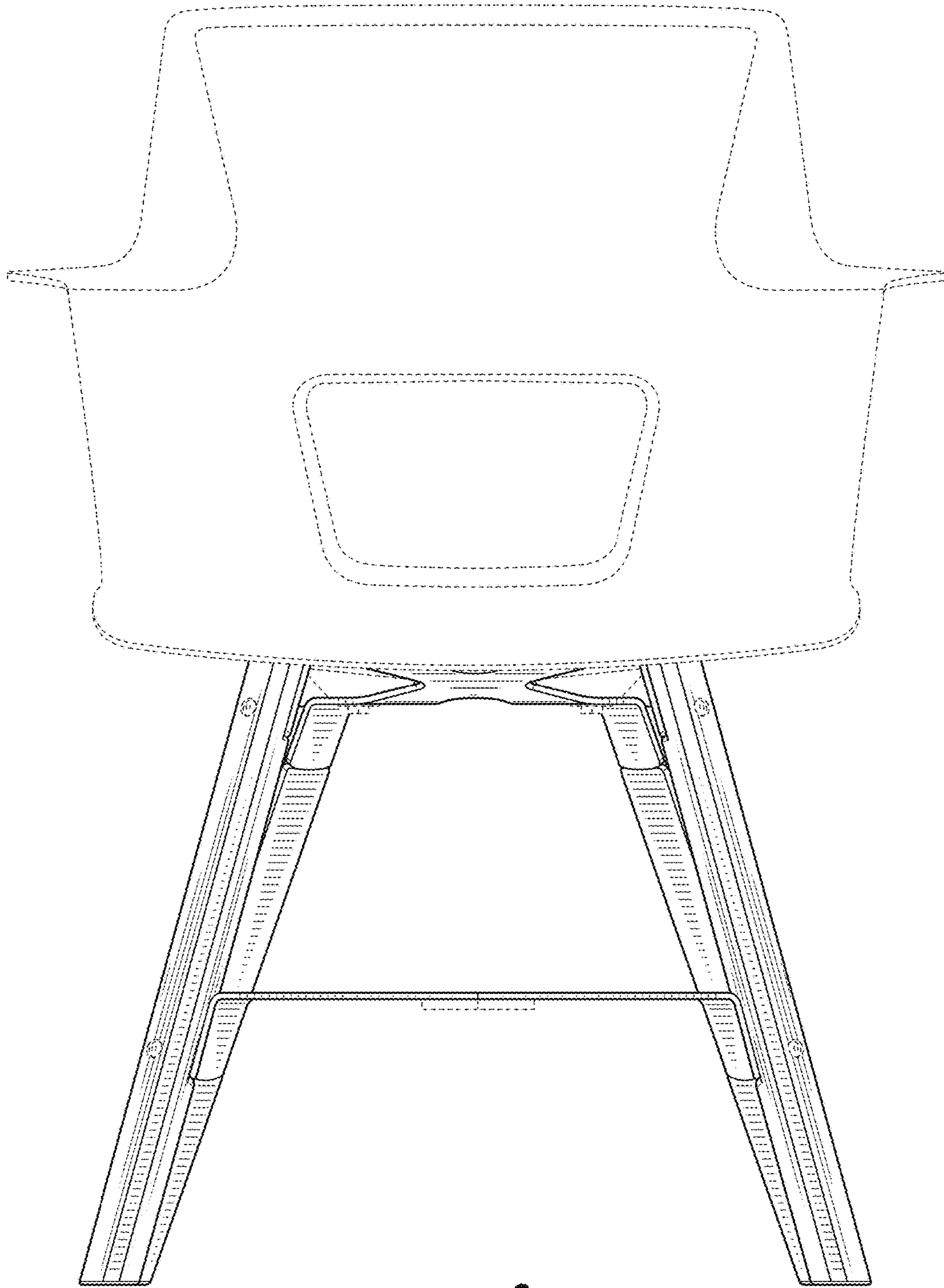


FIG. 2

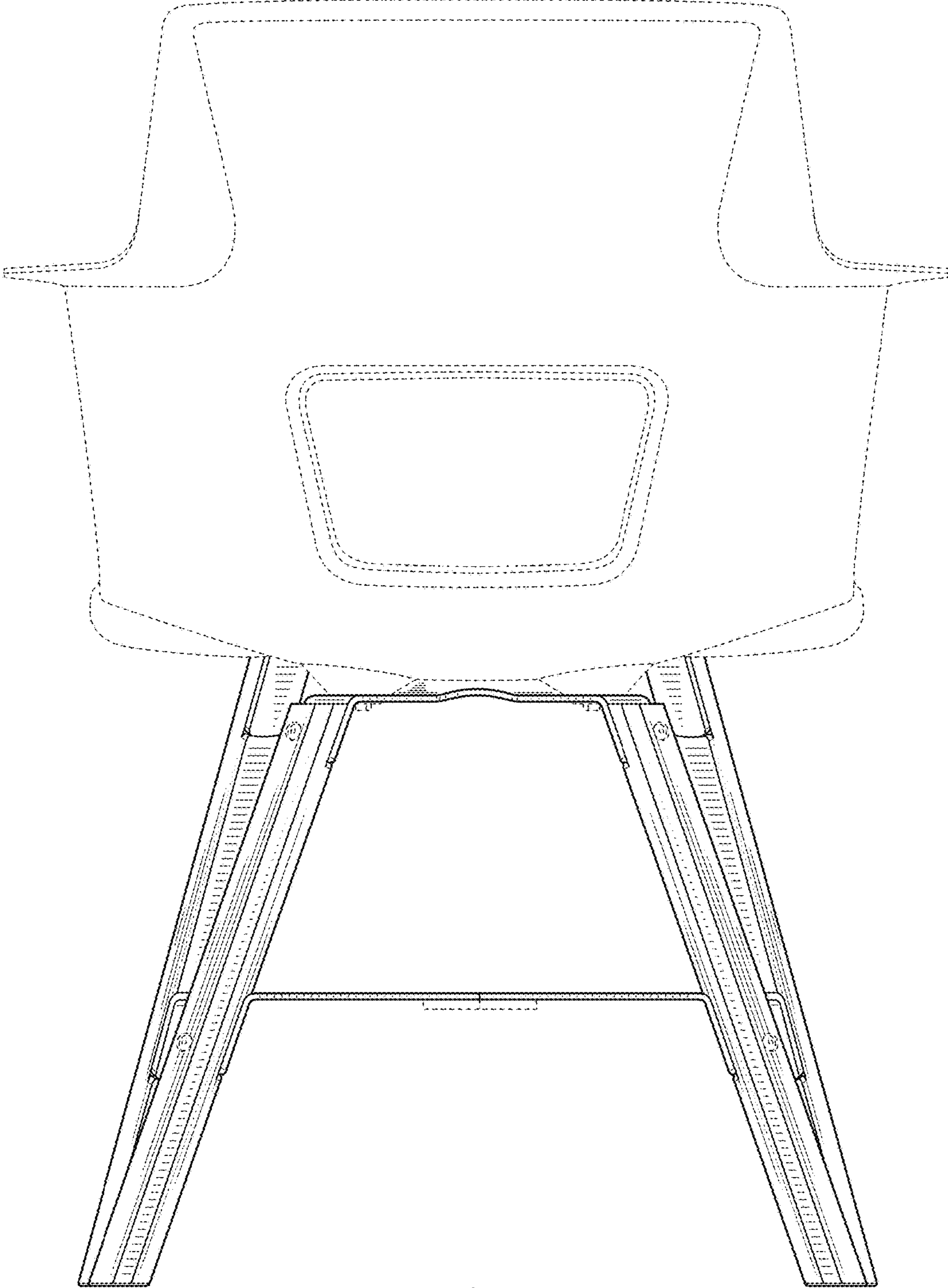


FIG. 3



FIG. 4

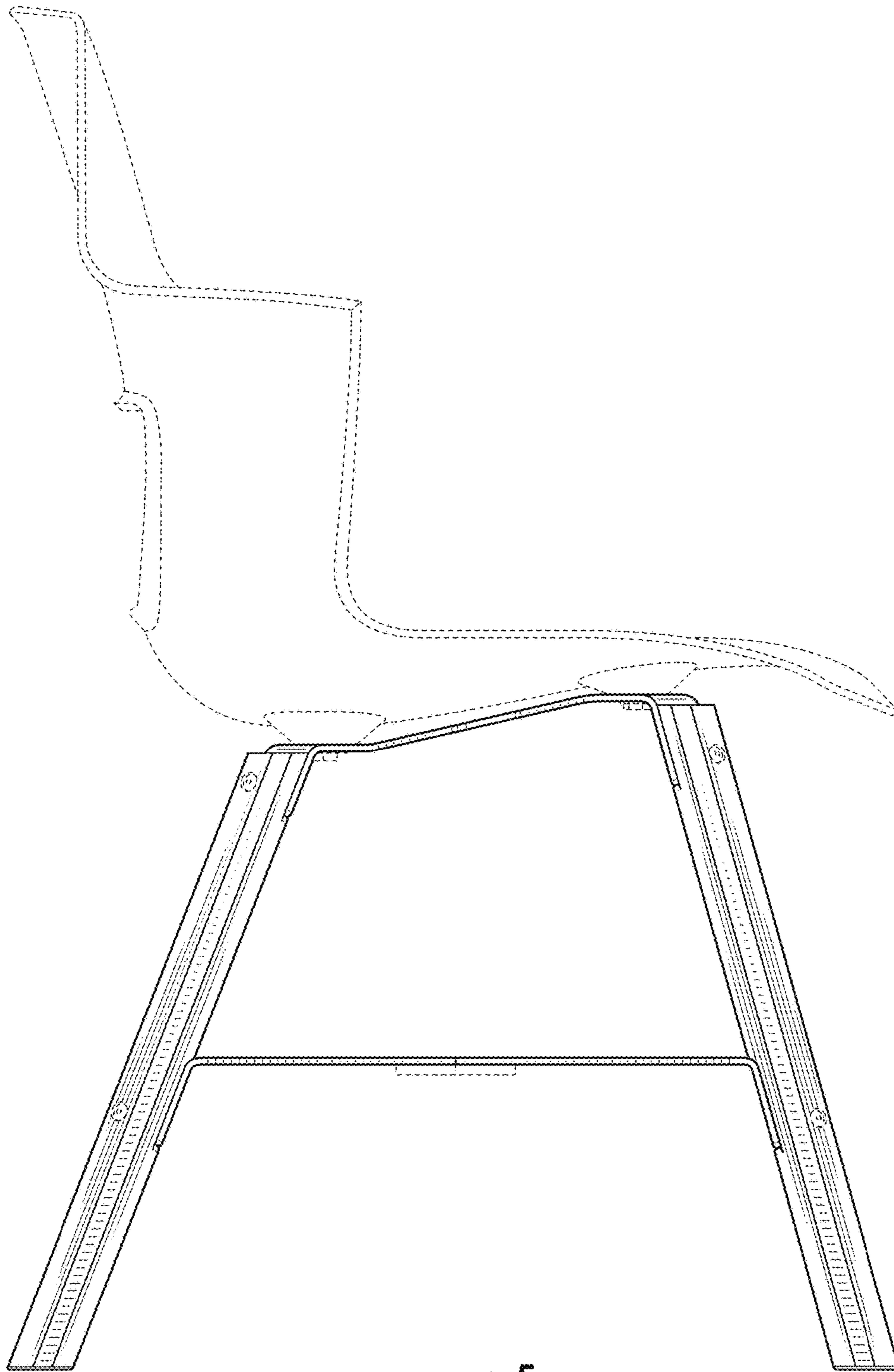


FIG. 5

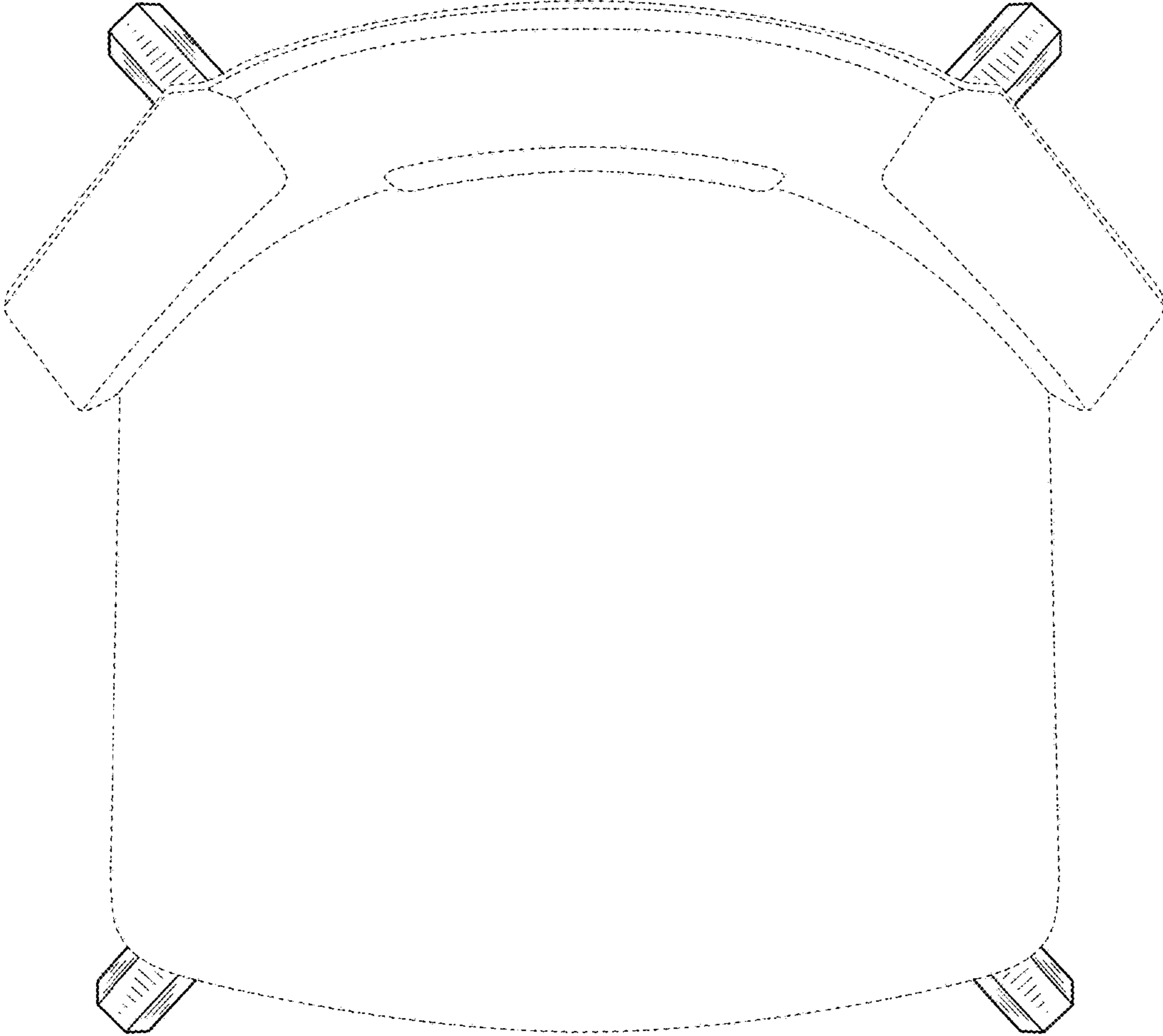


FIG. 6

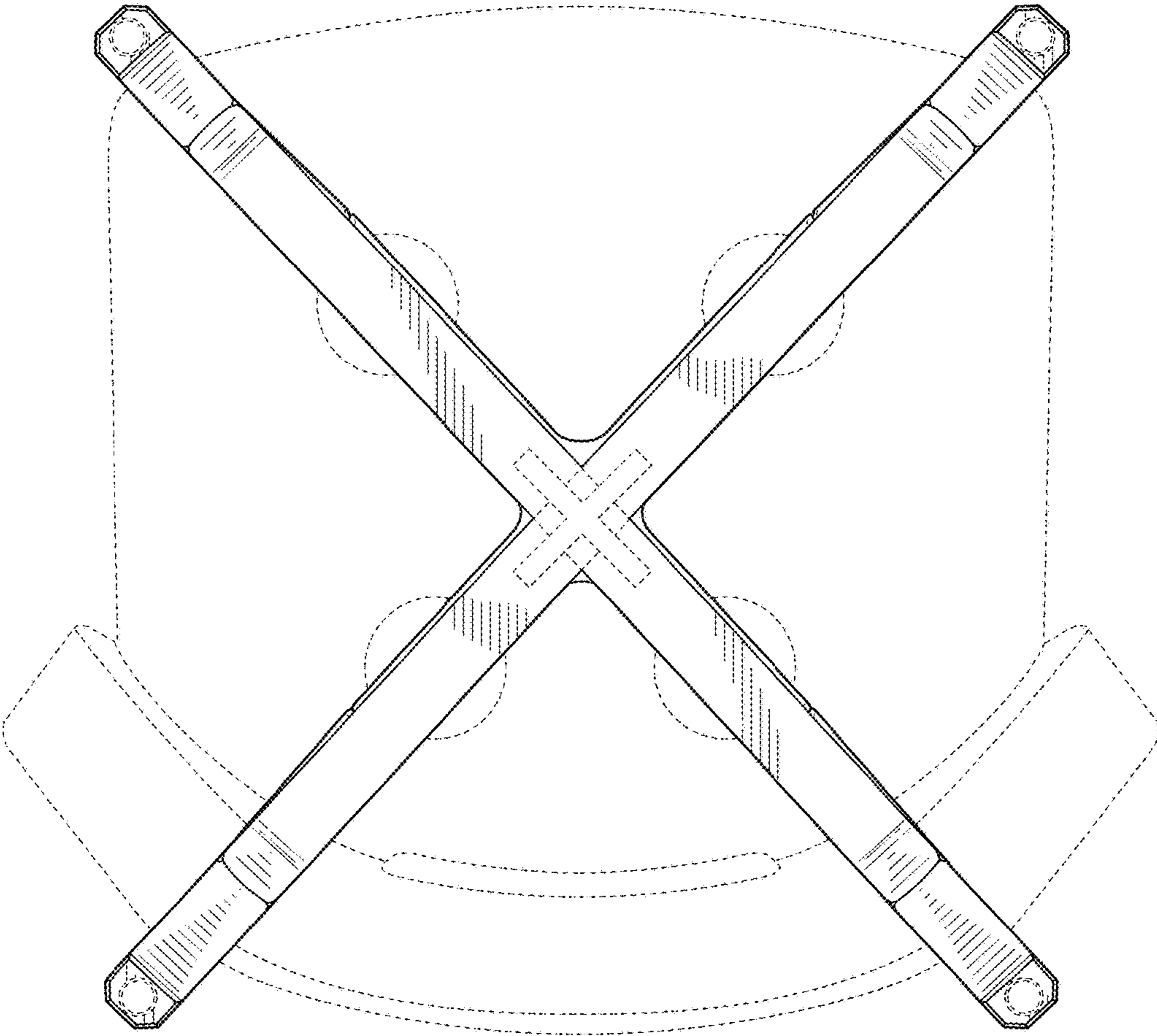


FIG. 7

