



US00D821790S

(12) **United States Design Patent**
Weirun

(10) **Patent No.:** **US D821,790 S**
(45) **Date of Patent:** **** Jul. 3, 2018**

(54) **COLLAPSIBLE CUP HOLDER FOR A CHAIR ARM ARM**

(74) *Attorney, Agent, or Firm* — Robert C. Kain, Jr.

(71) Applicant: **Shanghai Jirun Industrial Co., Ltd.**,
Qingpu, Shanghai (CN)

(57) **CLAIM**

I claim the ornamental design for collapsible cup holder for a chair arm, as shown and described.

(72) Inventor: **Zhang Weirun**, Shanghai (CN)

(73) Assignee: **Shanghai Jirun Industrial Co., Ltd.**,
Qingpu, Shanghai (CN)

DESCRIPTION

(**) Term: **15 Years**

FIG. 1 is a perspective view of the collapsible cup holder for a chair arm wherein the cup holder is collapsed.

(21) Appl. No.: **29/586,983**

FIG. 2 is a top view of the collapsible cup holder for a chair arm wherein the cup holder is collapsed.

(22) Filed: **Dec. 8, 2016**

FIG. 3 is a front view of the collapsible cup holder for a chair arm wherein the cup holder is collapsed. The rear view being a mirror image of the front view.

(51) **LOC (11) Cl.** **06-99**

(52) **U.S. Cl.**
USPC **D6/702; D7/620**

FIG. 4 is a left side view of the collapsible cup holder for a chair arm wherein the cup holder is collapsed. The right side view being a mirror image of the left side view.

(58) **Field of Classification Search**
USPC D7/619.1-625
CPC A47C 4/283; A47C 7/54; A47G 23/02;
B60N 3/10; B60N 3/103; A45C 11/20
See application file for complete search history.

FIG. 5 is a bottom view of the collapsible cup holder for a chair arm wherein the cup holder is collapsed.

FIG. 6 is a perspective view of the collapsible cup holder for a chair arm wherein the cup holder is extended.

(56) **References Cited**

U.S. PATENT DOCUMENTS

2007/0075205	A1 *	4/2007	Shin	B60N 3/106 248/311.2
2016/0106245	A1 *	4/2016	Sawada	B60N 3/10 220/737
2017/0049239	A1 *	2/2017	Rabin	A47C 7/68
2017/0072824	A1 *	3/2017	Huelke	B60N 3/08

FIG. 7 is a top view of the collapsible cup holder for a chair arm wherein the cup holder is extended.

FIG. 8 is a front view of the collapsible cup holder for a chair arm wherein the cup holder is extended. The rear view being a mirror image of the front view.

FIG. 9 is a left side view of the collapsible cup holder for a chair arm wherein the cup holder is extended. The right side view being a mirror image of the left side view; and,

FIG. 10 is a bottom view of the collapsible cup holder for a chair arm wherein the cup holder is extended.

The broken lines forming no part of the article.

* cited by examiner

Primary Examiner — Terry A Wallace

1 Claim, 8 Drawing Sheets

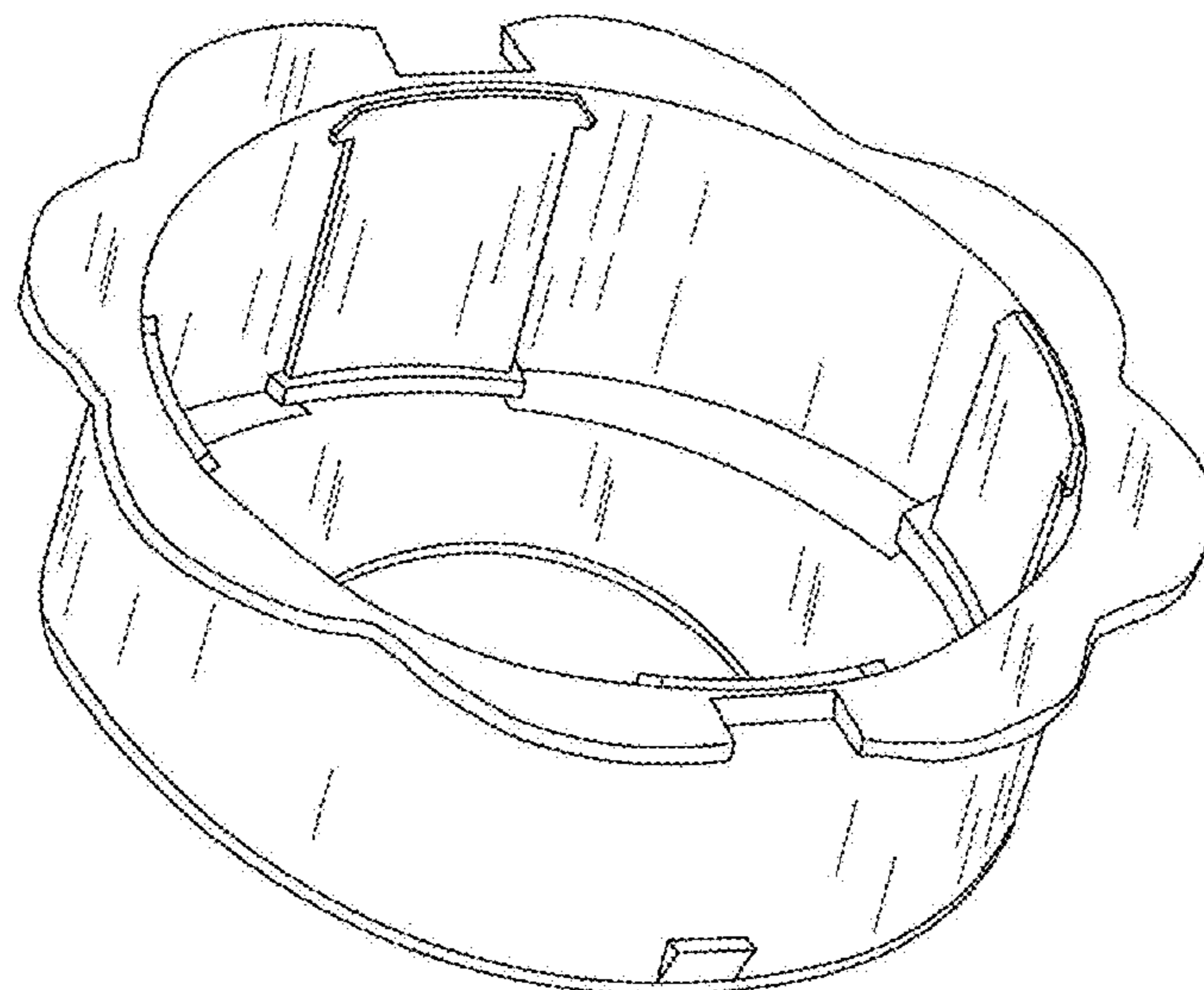


FIG. 1

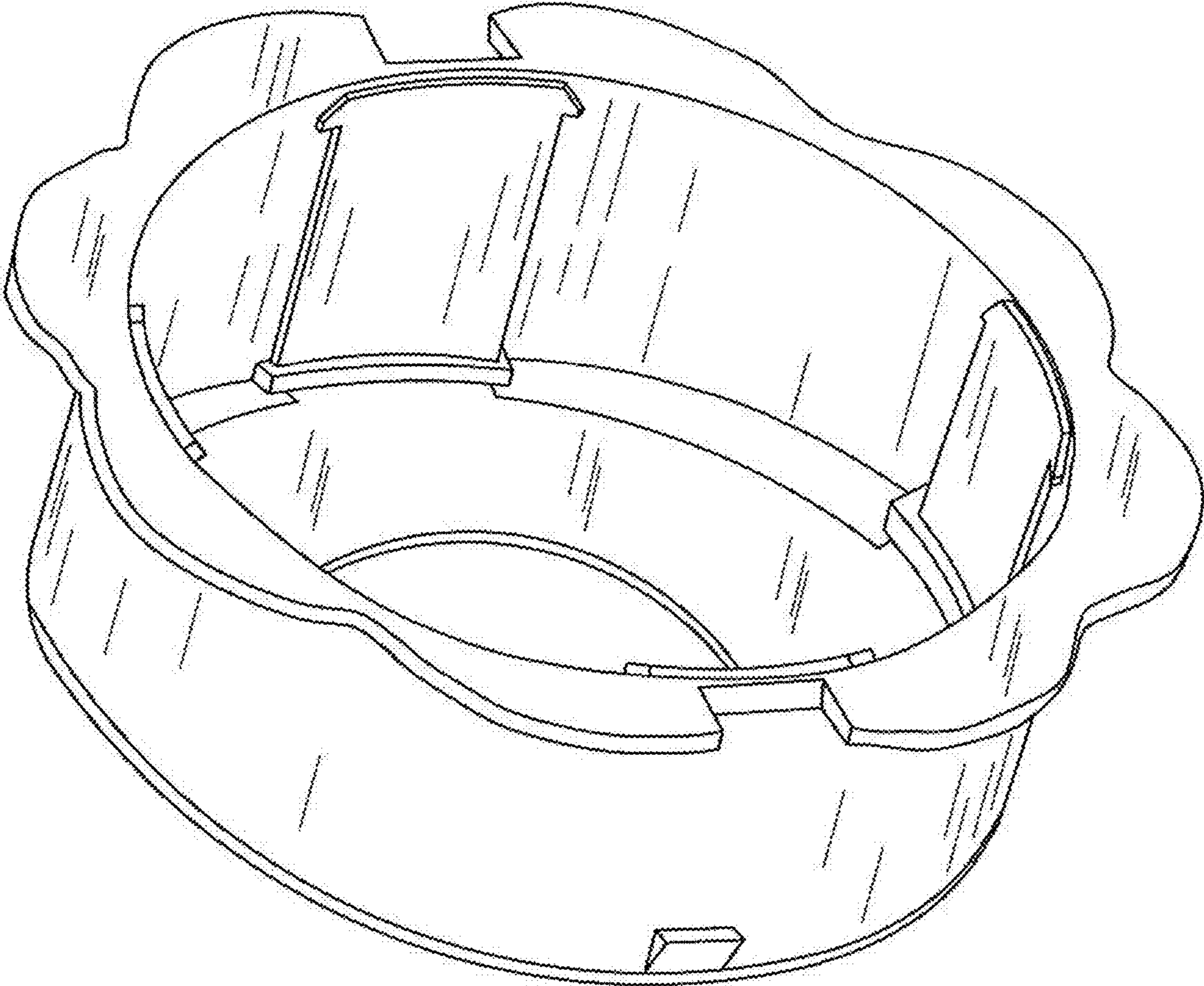


FIG.2

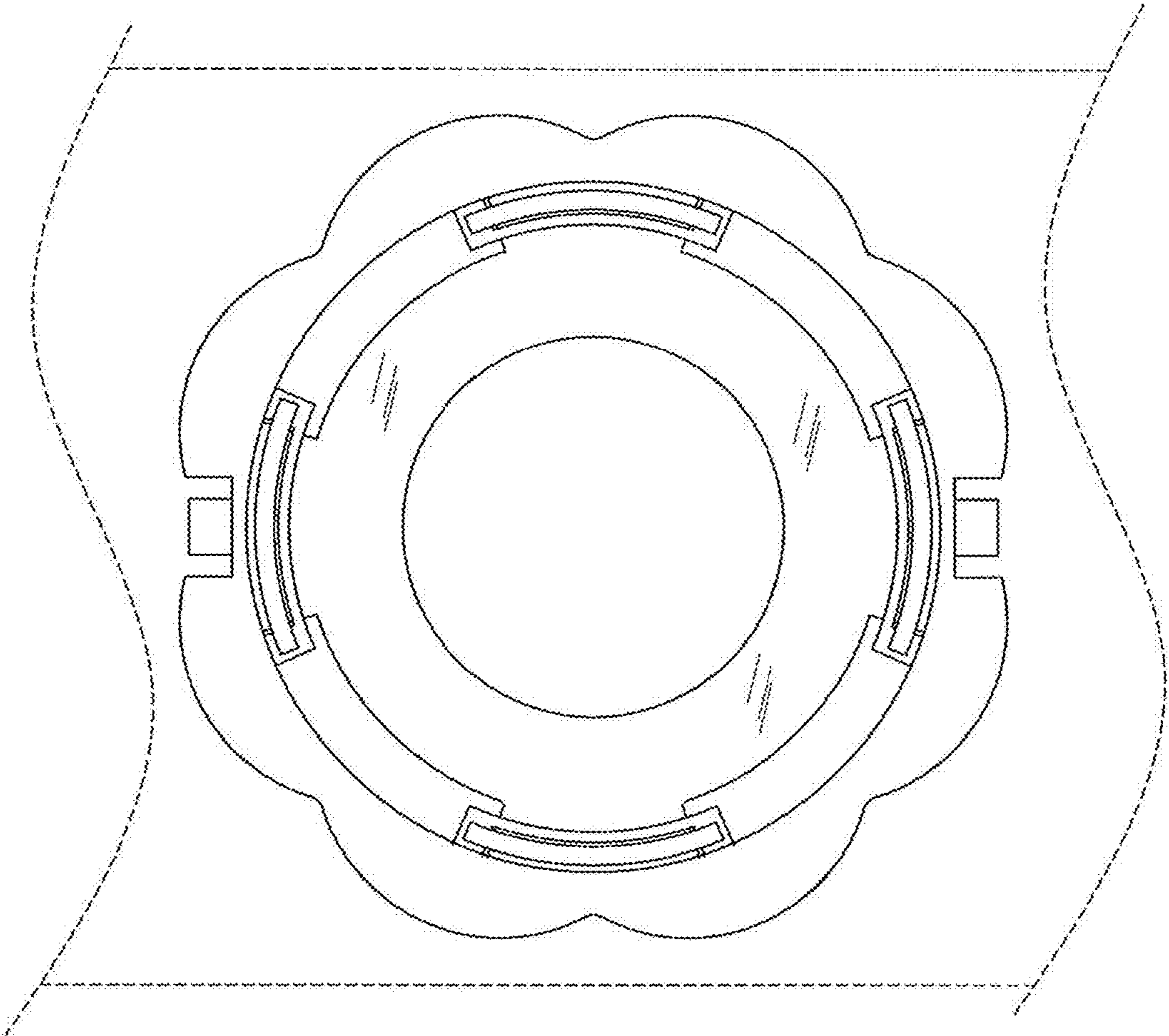


FIG.3

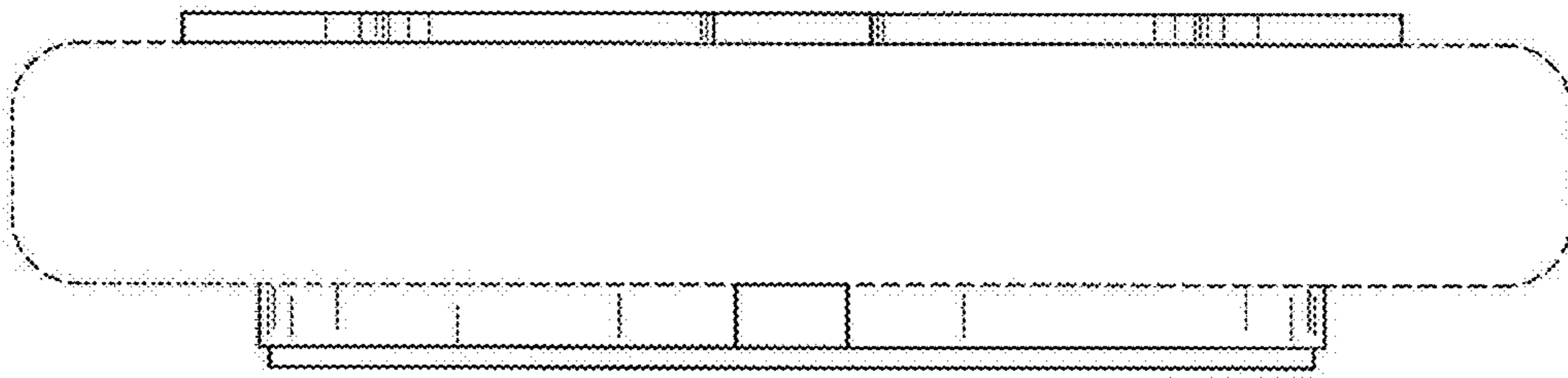


FIG.4

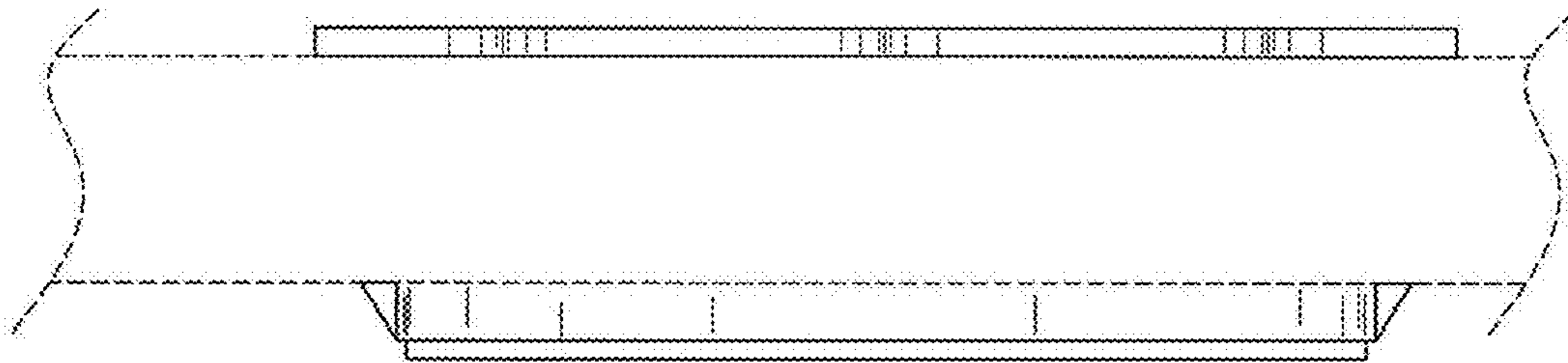


FIG.5

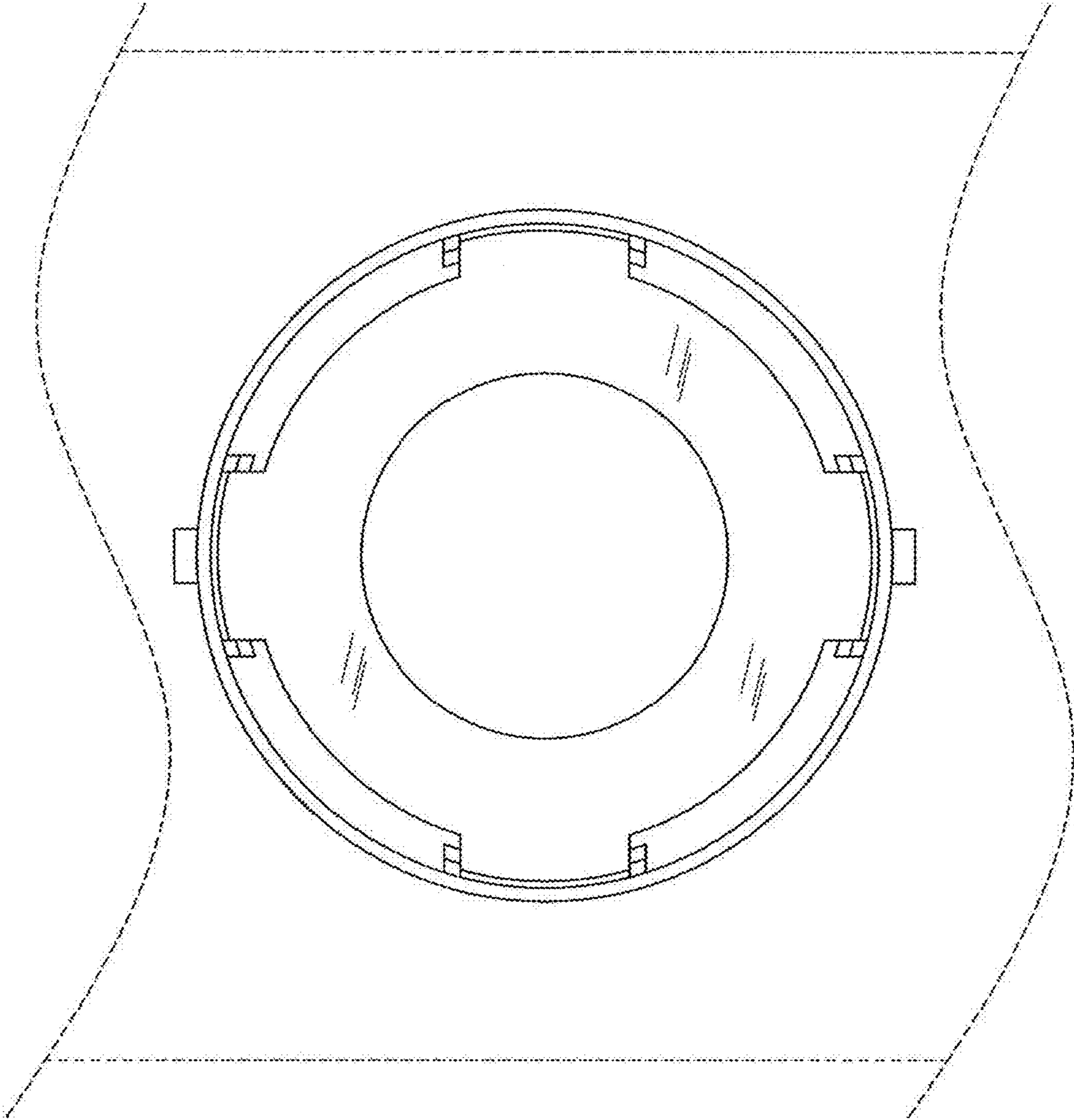


FIG.6

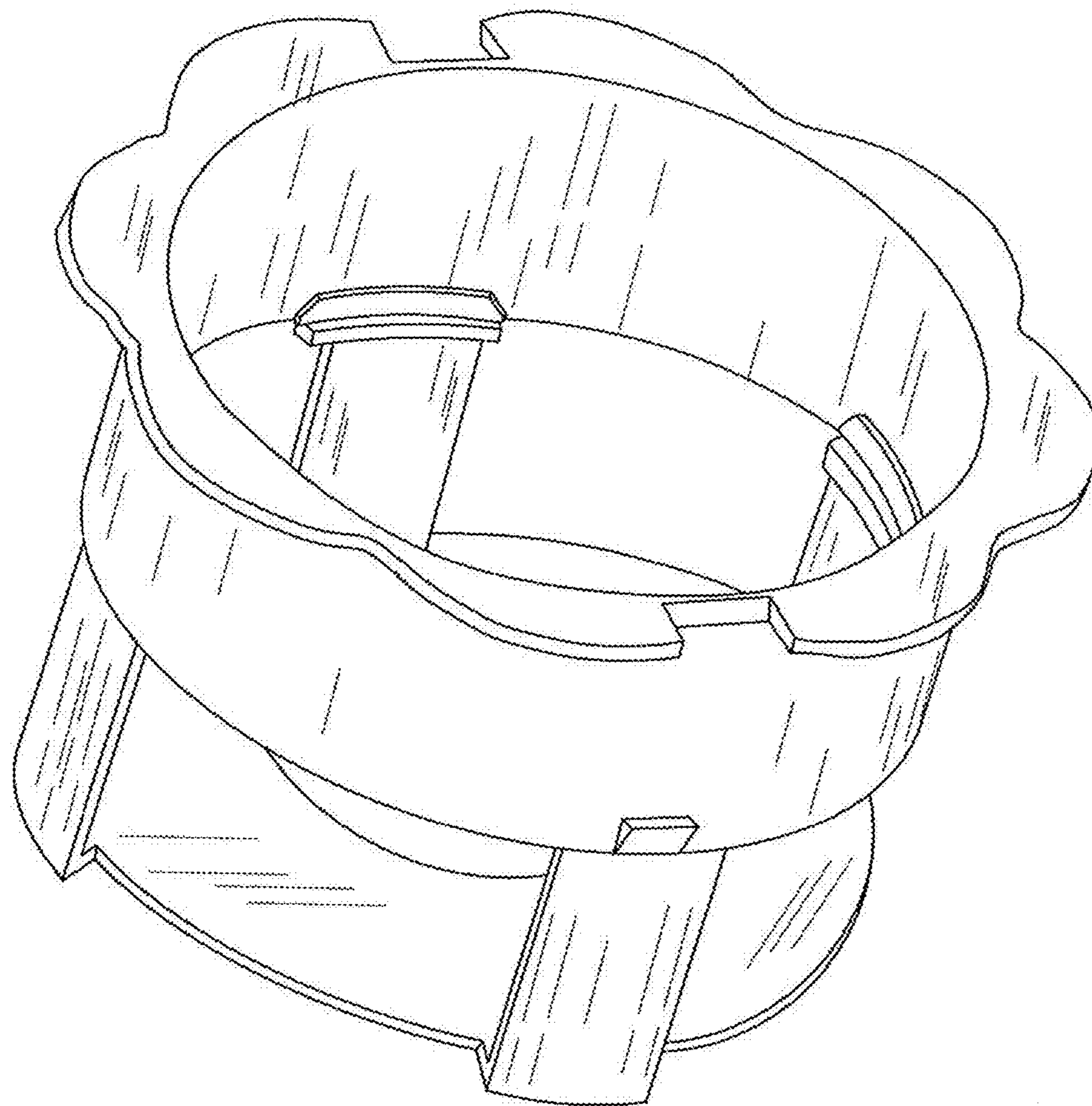


FIG.7

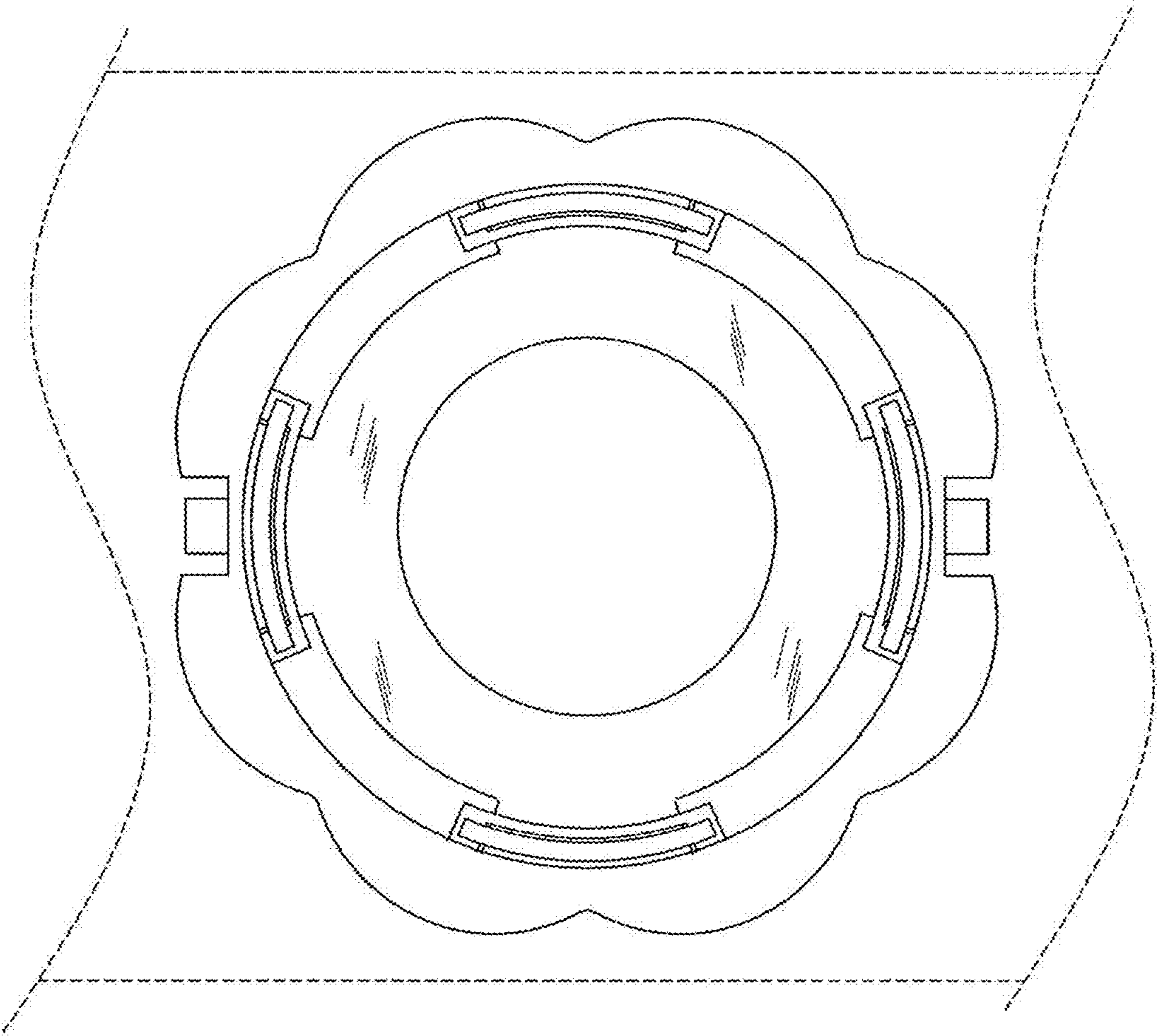


FIG.8

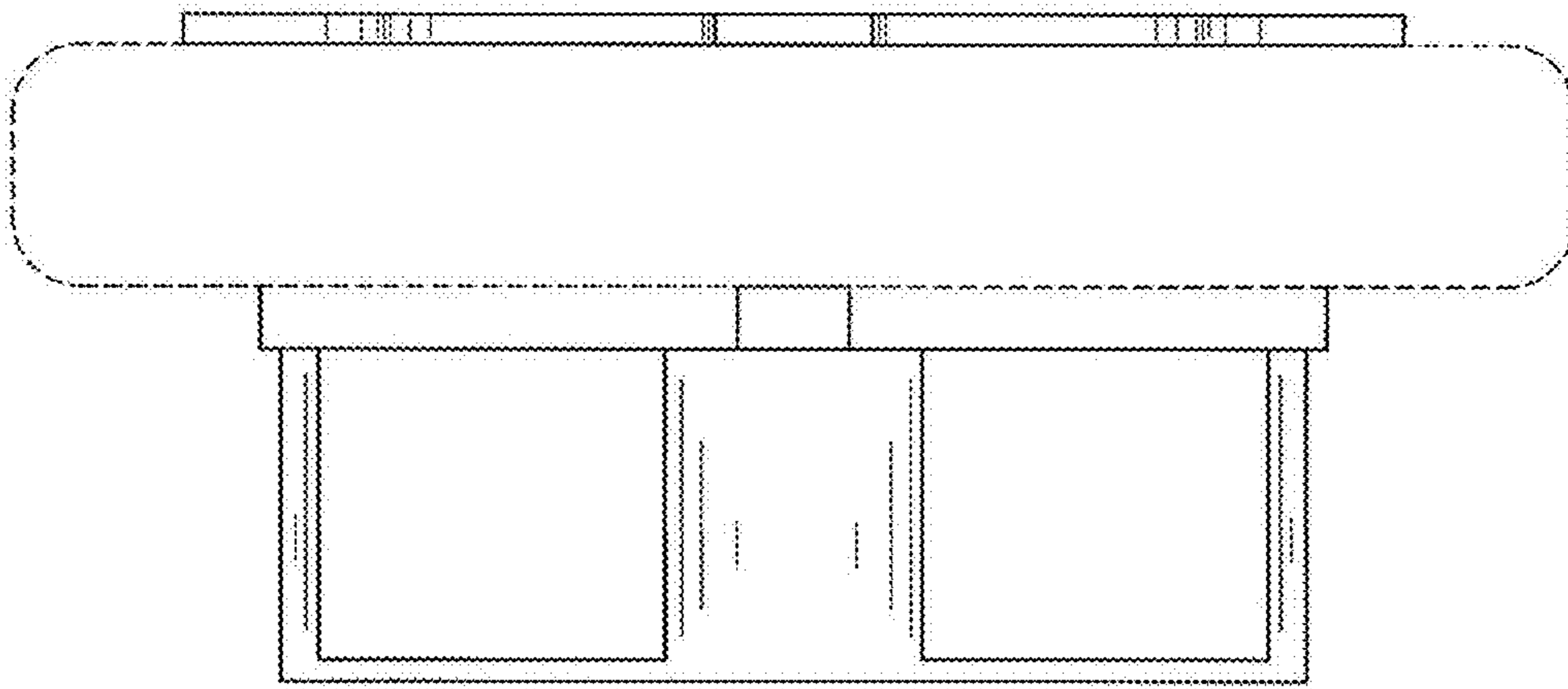


FIG.9

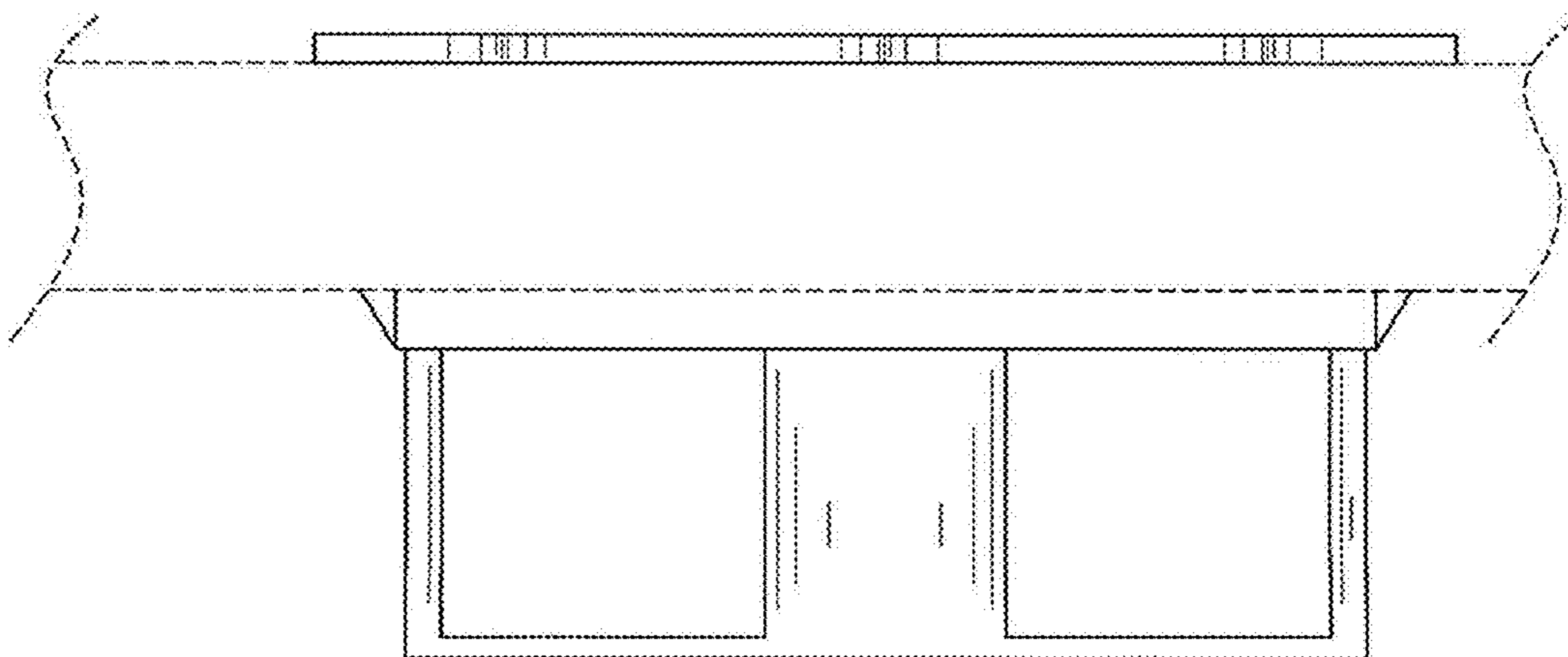


FIG. 10

