



US00D821789S

(12) **United States Design Patent**  
**Traeger**

(10) **Patent No.:** **US D821,789 S**

(45) **Date of Patent:** **\*\* Jul. 3, 2018**

(54) **END TABLE**

(71) Applicant: **Philip Lawrence Traeger**, San Pedro,  
CA (US)

(72) Inventor: **Philip Lawrence Traeger**, San Pedro,  
CA (US)

(\*\*) Term: **15 Years**

(21) Appl. No.: **29/571,391**

(22) Filed: **Jul. 18, 2016**

(51) **LOC (11) Cl.** ..... **06-03**

(52) **U.S. Cl.**  
USPC ..... **D6/692.3**

(58) **Field of Classification Search**  
USPC ..... D6/349, 352, 685, 687, 690, 692,  
D6/692.1-692.6  
CPC ..... A47B 7/00; A47B 13/00; A47B 13/003;  
A47B 13/02; A47B 13/023; A47B 13/04;  
A47B 13/06; A47B 13/08; A47B 13/081;  
A47B 13/12; A47B 21/00; A47B  
2200/0011; A47B 2200/0015; A47B  
2200/0016; A47B 2200/002  
See application file for complete search history.

(56) **References Cited**

**U.S. PATENT DOCUMENTS**

D119,609 S \* 3/1940 Cret ..... D6/692.3  
D225,941 S \* 1/1973 Duern et al. .... D6/690

D273,638 S \* 5/1984 Keiser ..... D6/692.3  
D273,737 S \* 5/1984 Rosen ..... D6/692.5  
D275,157 S \* 8/1984 Rosen ..... D6/692.3  
D295,933 S \* 5/1988 Colby ..... D6/692.5  
D328,000 S \* 7/1992 Weaver ..... D6/696.1  
D359,637 S \* 6/1995 Hammie ..... D6/692.3  
D482,214 S \* 11/2003 Weaver ..... D6/692.6  
D720,143 S \* 12/2014 Barber ..... D6/349  
D739,167 S \* 9/2015 Barber ..... D6/692

\* cited by examiner

*Primary Examiner* — Mary Ann Calabrese

(74) *Attorney, Agent, or Firm* — Robert J. Lauson, Esq.;  
Lauson & Tarver LLP

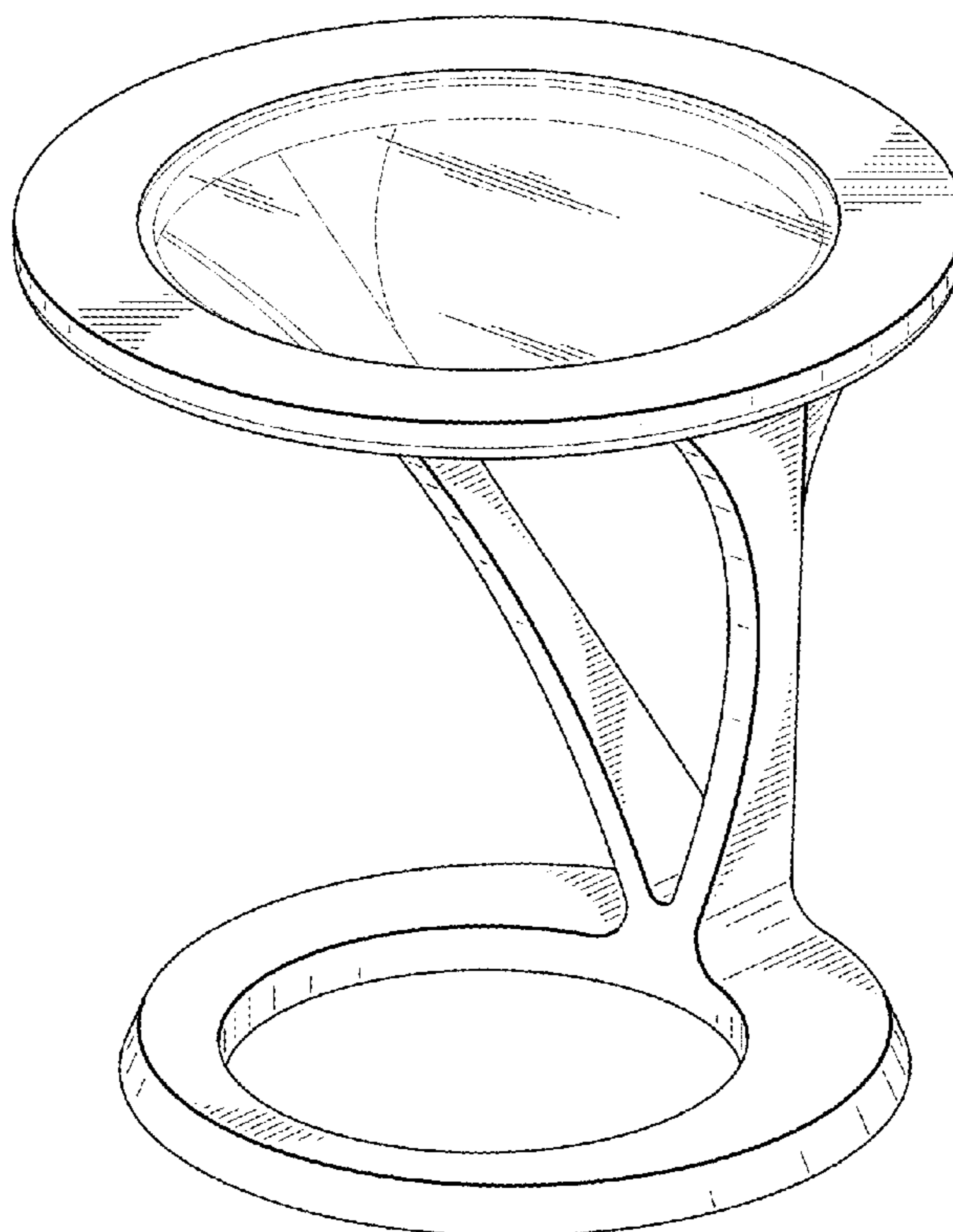
(57) **CLAIM**

I claim the ornamental design for an end table, as shown and described.

**DESCRIPTION**

FIG. 1 is a perspective view for an end table, showing my new design.  
FIG. 2 is a right side elevation view thereof, with the left side being a mirror image.  
FIG. 3 is a front view thereof.  
FIG. 4 is a rear view thereof.  
FIG. 5 is a top view thereof; and,  
FIG. 6 is a bottom view thereof.

**1 Claim, 3 Drawing Sheets**



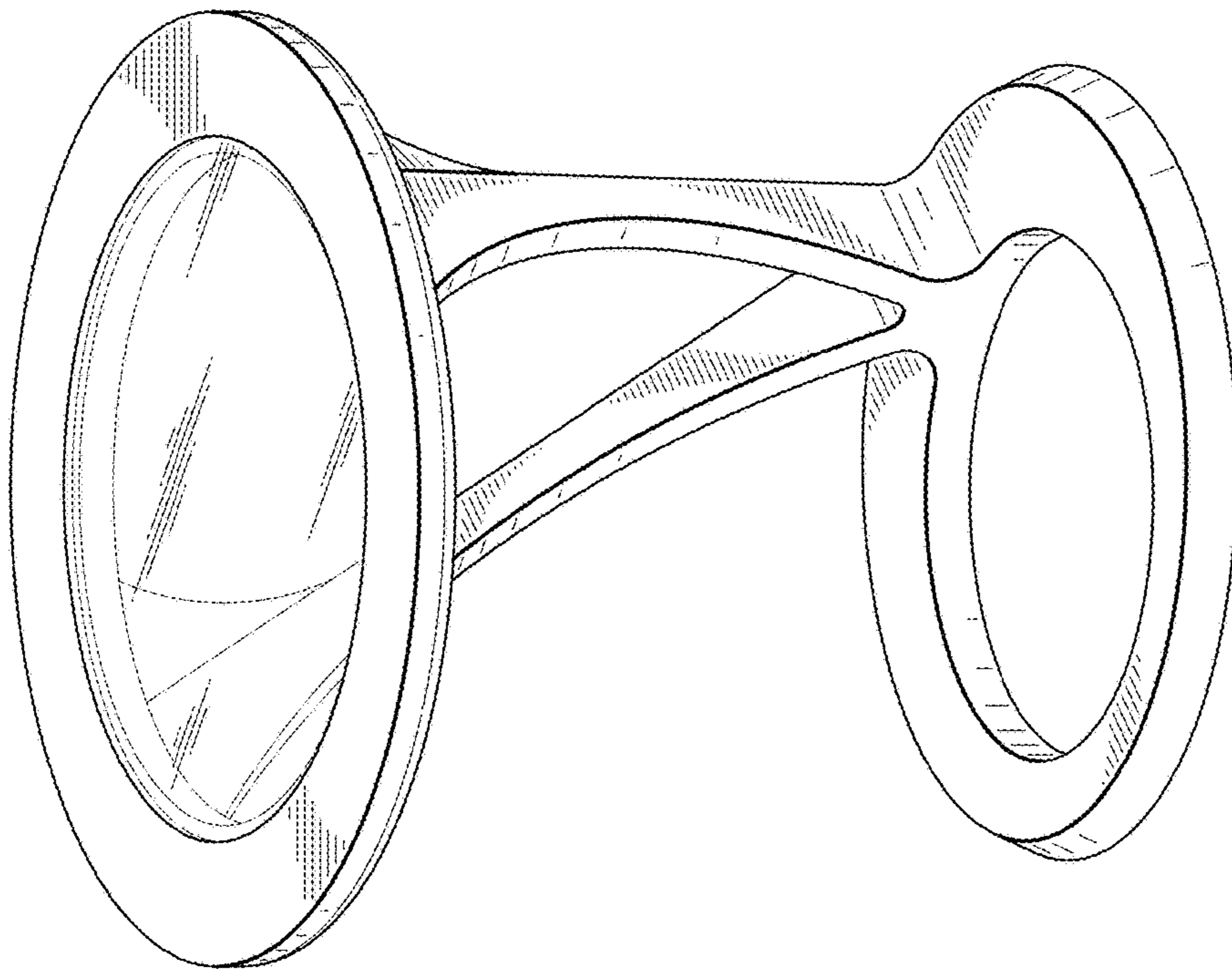


FIG. 1

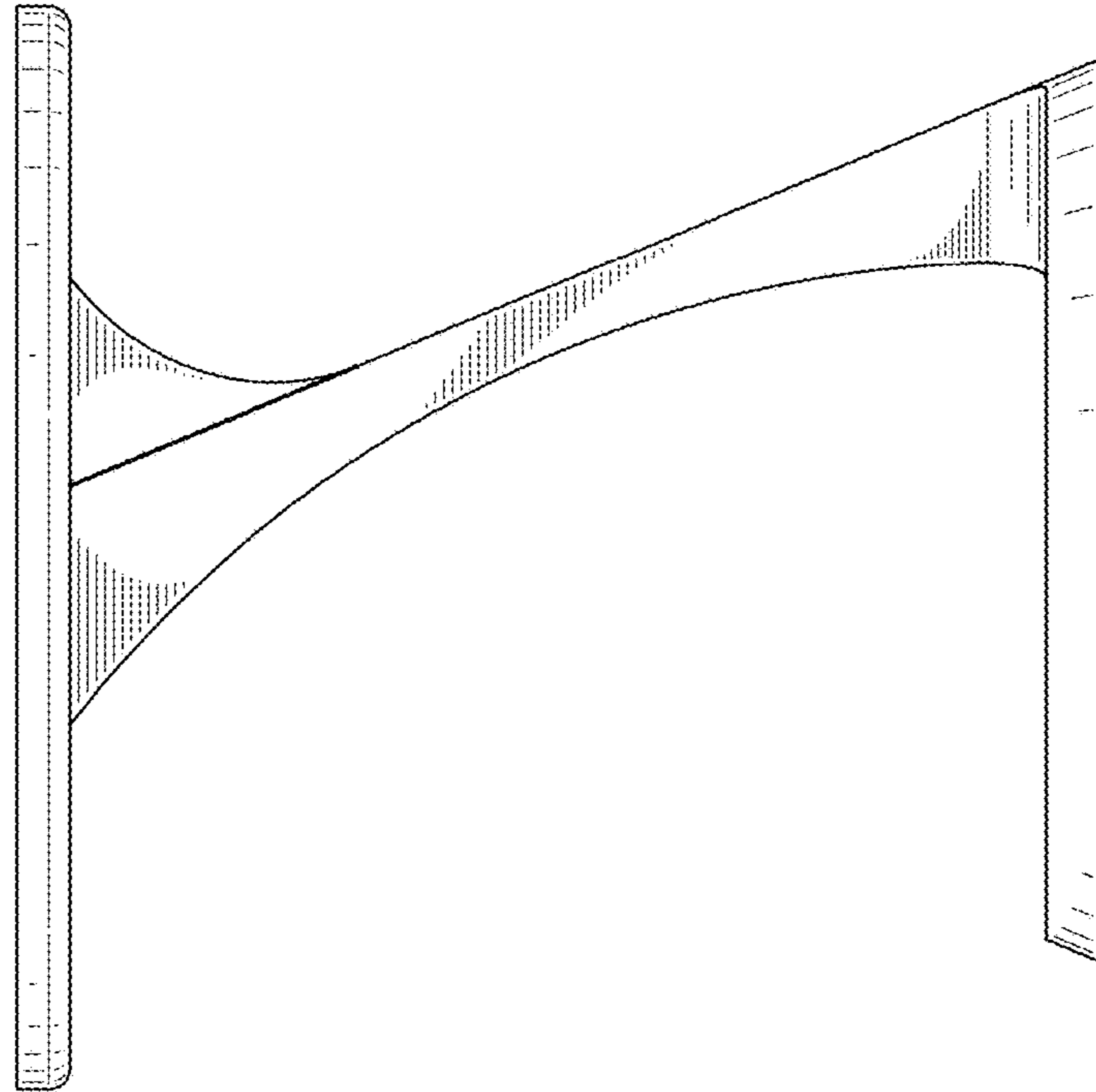
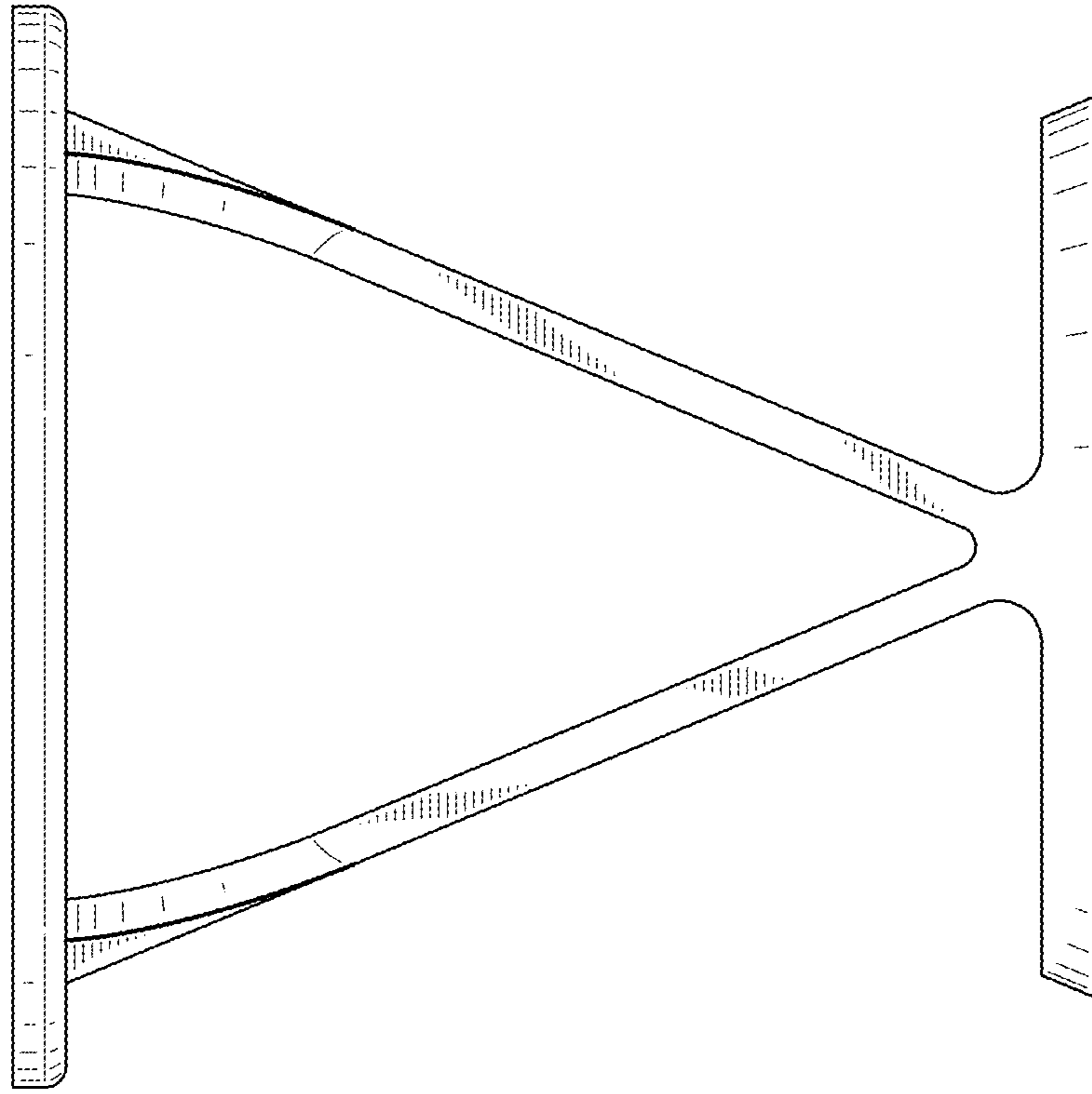
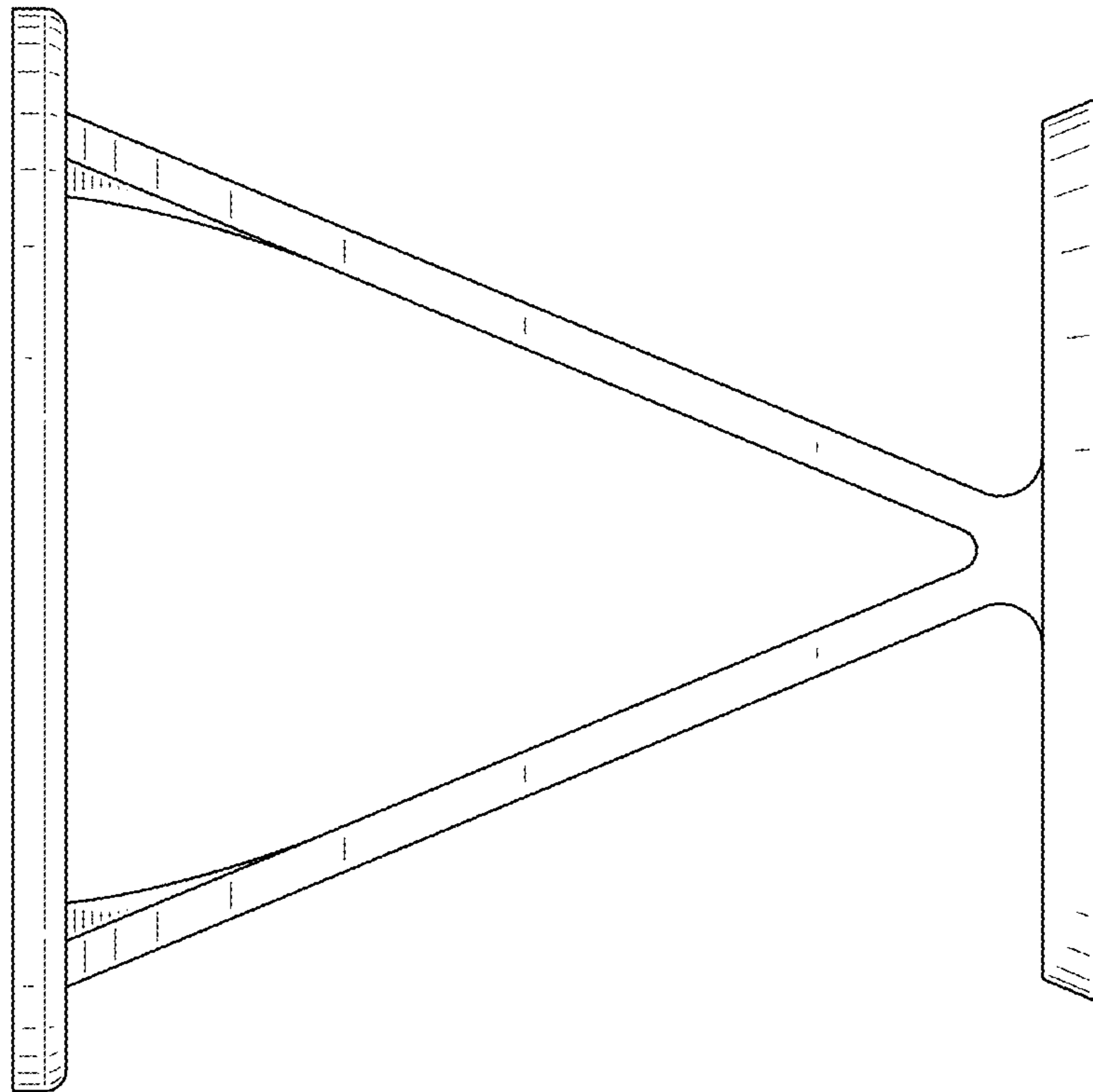


FIG. 2



*FIG. 4*



*FIG. 3*

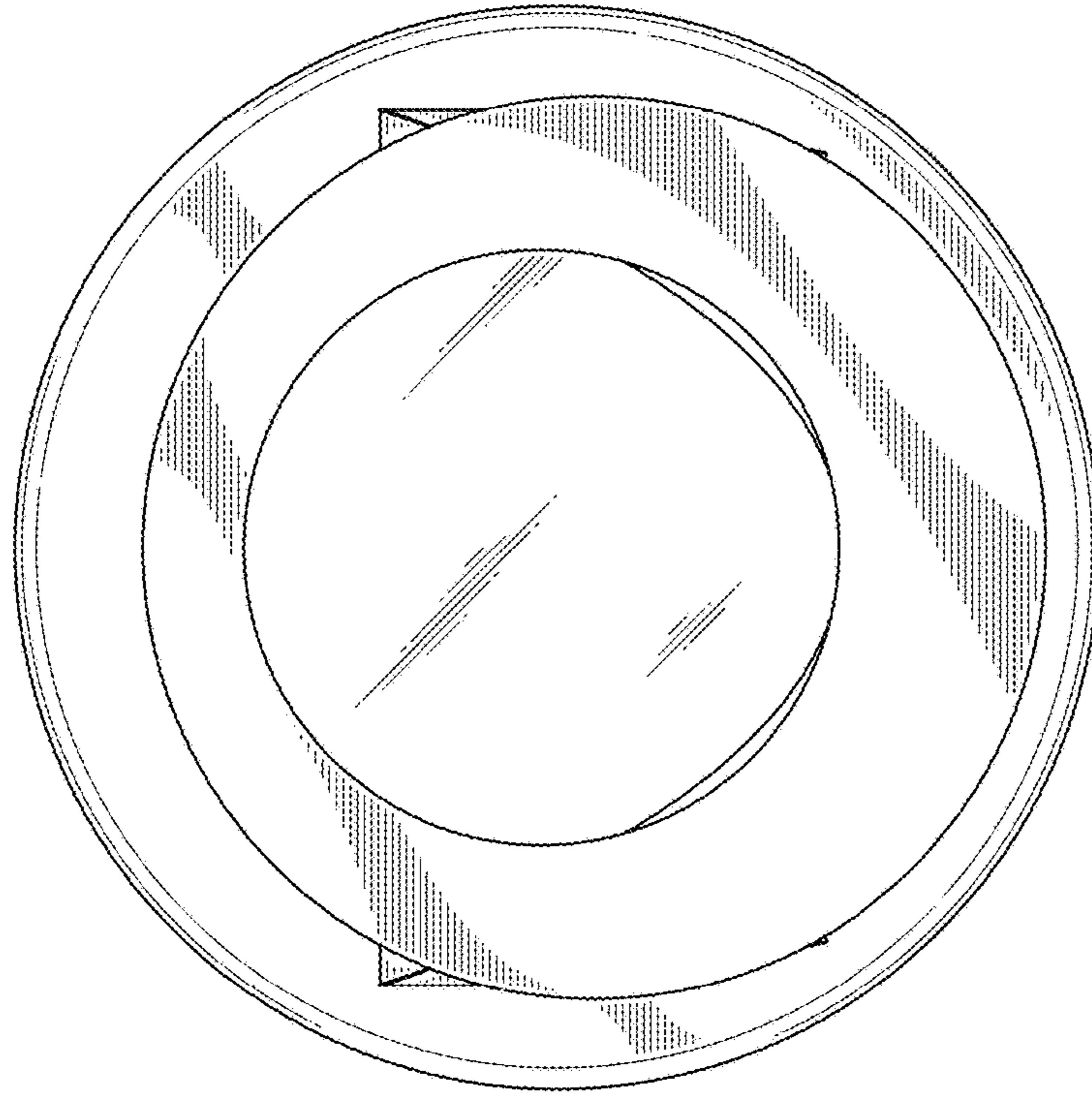


FIG. 4

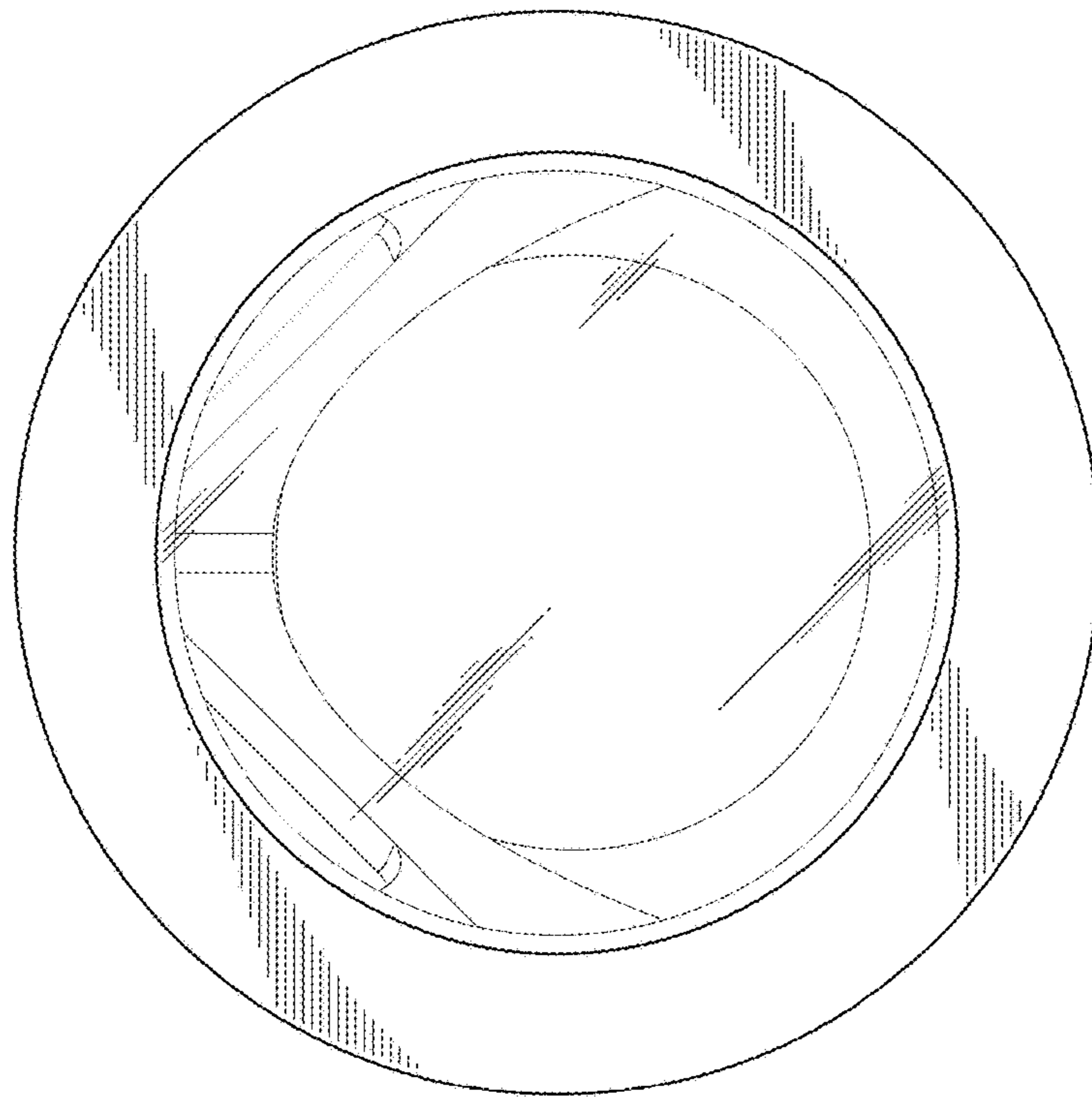


FIG. 5